



US00D776178S

(12) **United States Design Patent** (10) **Patent No.:** **US D776,178 S**
Ries (45) **Date of Patent:** **** Jan. 10, 2017**

(54) **ROBOTIC ARM**
(71) Applicant: **ABB gomtec GmbH**, Seefeld (DE)
(72) Inventor: **Michael Ries**, Olching (DE)
(73) Assignee: **ABB gomtec GmbH** (DE)
(**) Term: **14 Years**
(21) Appl. No.: **29/506,483**
(22) Filed: **Oct. 16, 2014**
(51) **LOC (10) Cl.** **15-09**
(52) **U.S. Cl.**
USPC **D15/199**
(58) **Field of Classification Search**
USPC D15/199; 74/490.01-490.06; D10/63;
D24/158, 184, 128
CPC B25J 17/00; B25J 9/06; B25J 9/102;
B25J 18/00; B25J 19/0029; B25J 19/0009;
A61B 19/2203; A61B 19/5212; A61B
1/008; A61B 2019/2234; A61B
2019/2242; A61B 2019/2223; A61B
2019/223; A61B 2019/2238
See application file for complete search history.

2015/0127151 A1* 5/2015 Riedel B25J 9/06
700/250
2016/0016320 A1* 1/2016 Rothfuss A61B 19/2203
74/490.03
2016/0089794 A1* 3/2016 Niu B25J 19/0029
74/490.02

OTHER PUBLICATIONS

Web page: <http://www.universal-robots.com/>.
Web page: <http://www.us.schunk.com/schunk/index.html?country=USA&r=1>.
Universal Robots web page: <http://www.universal-robots.com/>.
Schunk web page: <http://www.us.schunk.com/schunk/index.html?country=USA&r=1>.

* cited by examiner

Primary Examiner — Susan Bennett Hattan
Assistant Examiner — Brett Miller

(57) **CLAIM**

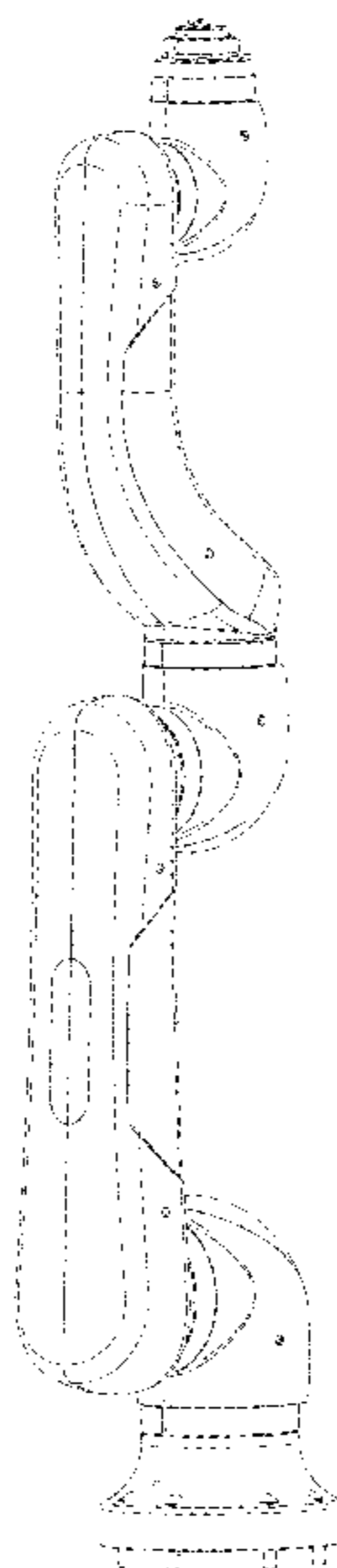
The ornamental design of the robotic arm, as shown.

DESCRIPTION

FIG. 1 is a perspective view of the robotic arm according to the present invention;
FIG. 2 is a front view of the robotic arm thereof, the back view being a mirror image thereof;
FIG. 3 is a right side view of the robotic arm thereof;
FIG. 4 is a left side view of the robotic arm thereof;
FIG. 5 is front left side perspective a view of the robotic arm thereof; and,
FIG. 6 is a front right side perspective view of the robotic arm thereof.

(56) **References Cited**
U.S. PATENT DOCUMENTS
D670,319 S * 11/2012 Liu D15/199
D677,294 S * 3/2013 Long D15/199
8,525,460 B2 * 9/2013 Reiland G05B 15/00
74/490.03
D691,498 S * 10/2013 Bailey D10/63
D692,041 S * 10/2013 Selic D15/199
D716,357 S * 10/2014 Gombert D15/199
2011/0303042 A1 * 12/2011 Pan B25J 9/0009
74/490.05
2013/0125694 A1 * 5/2013 Long B25J 11/0075
74/490.01

1 Claim, 7 Drawing Sheets



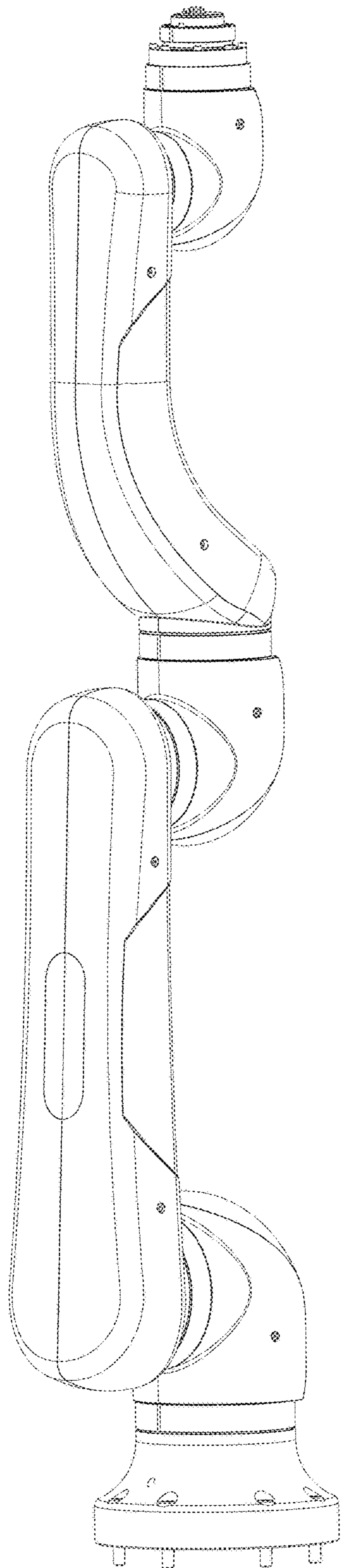


Fig. 1

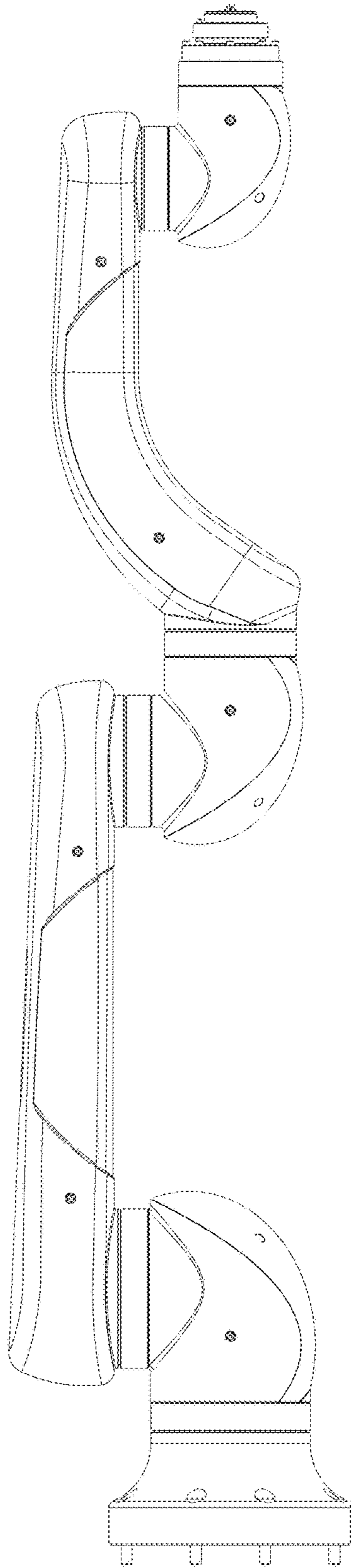


Fig. 2

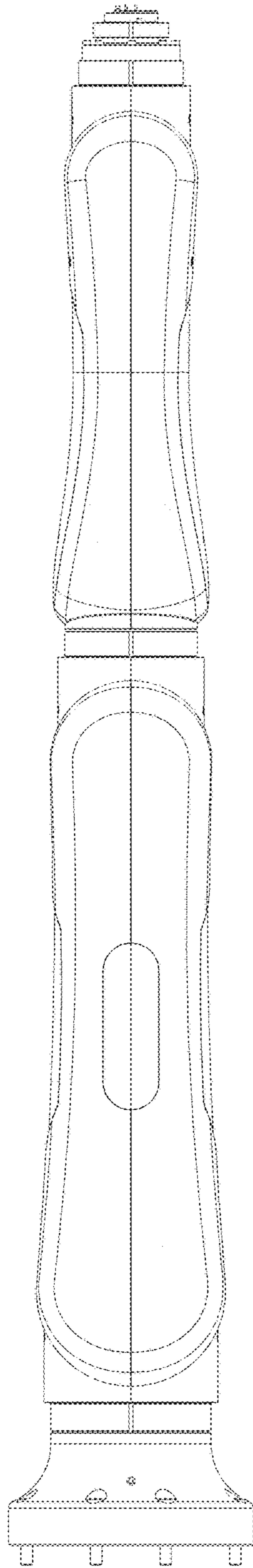


Fig. 3

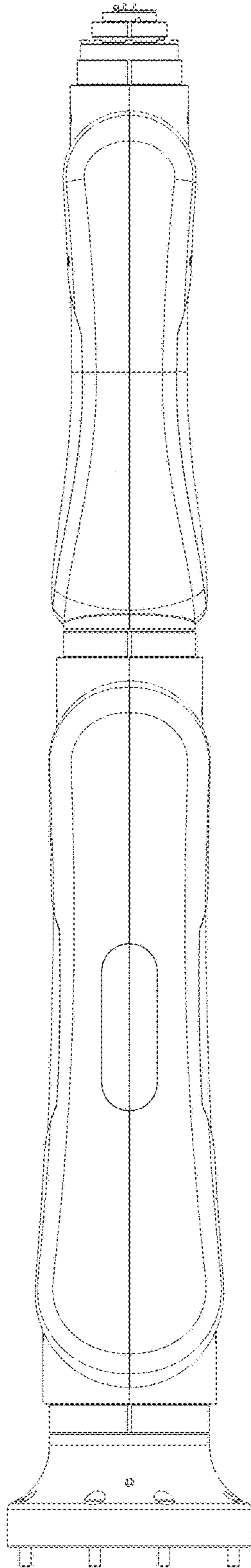


Fig. 4

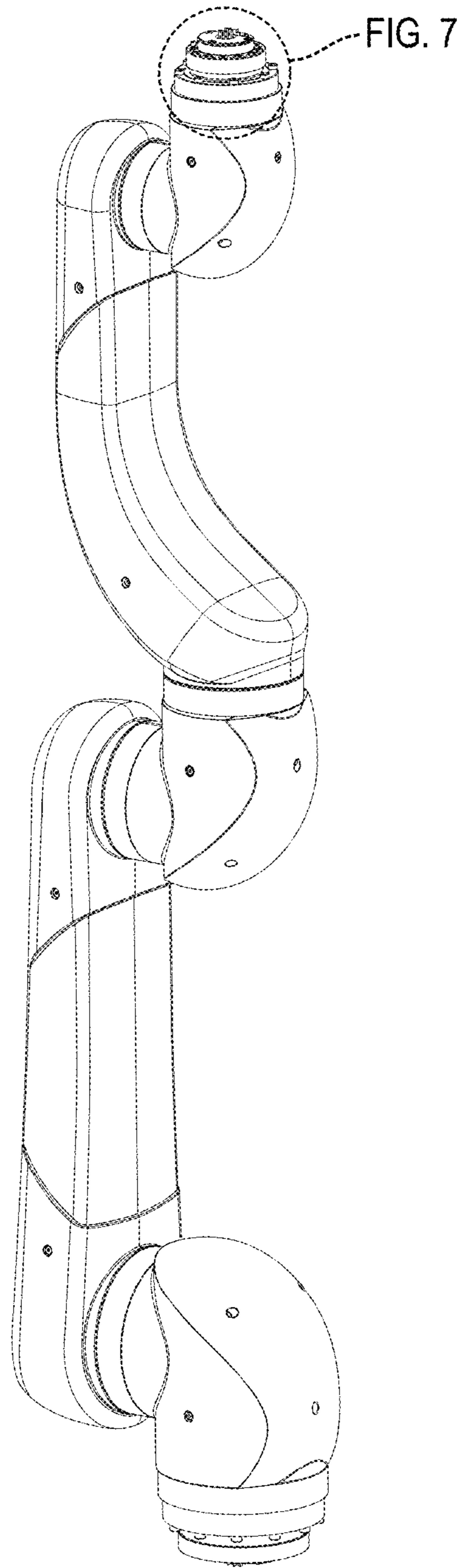


FIG. 5

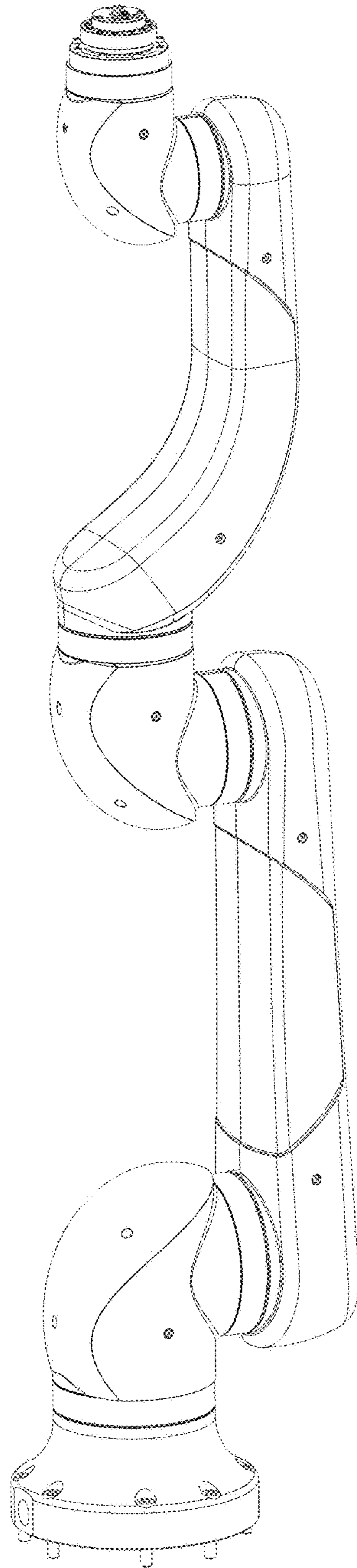


Fig. 6

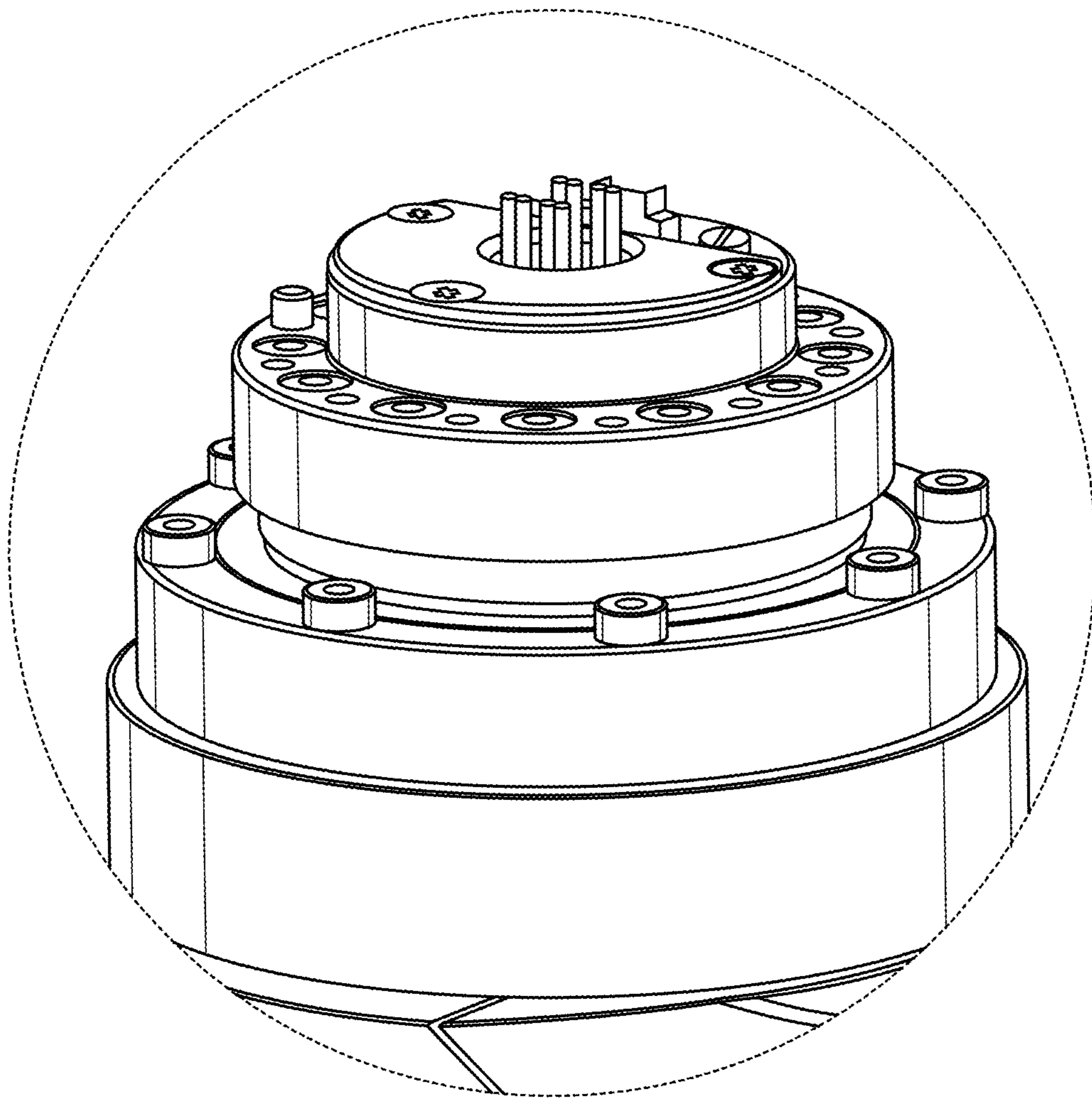


FIG. 7