



US00D776176S

(12) **United States Design Patent**
Galomb

(10) **Patent No.:** **US D776,176 S**
(45) **Date of Patent:** **** Jan. 10, 2017**

- (54) **INJECTION TUBE SUPPORT APPARATUS**
- (71) Applicant: **David E Galomb**, Allentown, PA (US)
- (72) Inventor: **David E Galomb**, Allentown, PA (US)
- (73) Assignee: **GALOMB, INC.**, Allentown, PA (US)
- (**) Term: **15 Years**
- (21) Appl. No.: **29/541,291**
- (22) Filed: **Oct. 1, 2015**
- (51) **LOC (10) Cl.** **15-09**
- (52) **U.S. Cl.**
USPC **D15/135; D15/140**
- (58) **Field of Classification Search**
USPC D15/135, 140, 141; 425/146, 177, 181,
425/222, 237, 547
See application file for complete search history.

- D296,701 S * 7/1988 Lindell D15/135
- D331,248 S * 11/1992 Yeh D15/135
- 5,207,264 A * 5/1993 You B22D 17/12
164/312
- D336,479 S * 6/1993 Shinagawa D15/135
- D357,484 S * 4/1995 Montague D15/135
- 6,042,757 A * 3/2000 Abe B29C 45/0013
264/28
- 6,673,317 B2 * 1/2004 Hashimoto G01N 35/0099
422/561
- 6,942,010 B2 * 9/2005 Osugi B22D 23/006
164/336
- 6,978,823 B2 * 12/2005 Thibault B22D 17/2015
164/316
- D617,356 S * 6/2010 Wang D15/135
- 7,806,161 B2 * 10/2010 Jezwinski B22C 11/10
164/130
- D651,623 S * 1/2012 Stillwell D15/135
- D768,215 S * 10/2016 Funakoshi D15/135
- D768,216 S * 10/2016 Funakoshi D15/135

* cited by examiner

Primary Examiner — Patricia Palasik

(56) **References Cited**
U.S. PATENT DOCUMENTS

- D119,612 S * 3/1940 Ernst et al. D15/135
- D139,721 S * 12/1944 Kilburn et al. D15/135
- D153,578 S * 5/1949 Bohannon D15/135
- 3,170,203 A * 2/1965 Harrison B22D 17/14
164/253
- D208,431 S * 8/1967 Paulson D15/135
- 3,971,432 A * 7/1976 Hardey B22D 17/04
164/318
- 4,088,175 A * 5/1978 Cecere B22D 27/15
164/114
- 4,345,893 A * 8/1982 Prince B22D 17/10
425/190
- D266,327 S * 9/1982 Haight D15/135
- 4,385,877 A * 5/1983 Tanabe B29C 45/0013
425/3
- 4,595,044 A * 6/1986 Caugherty B22D 17/2015
164/312

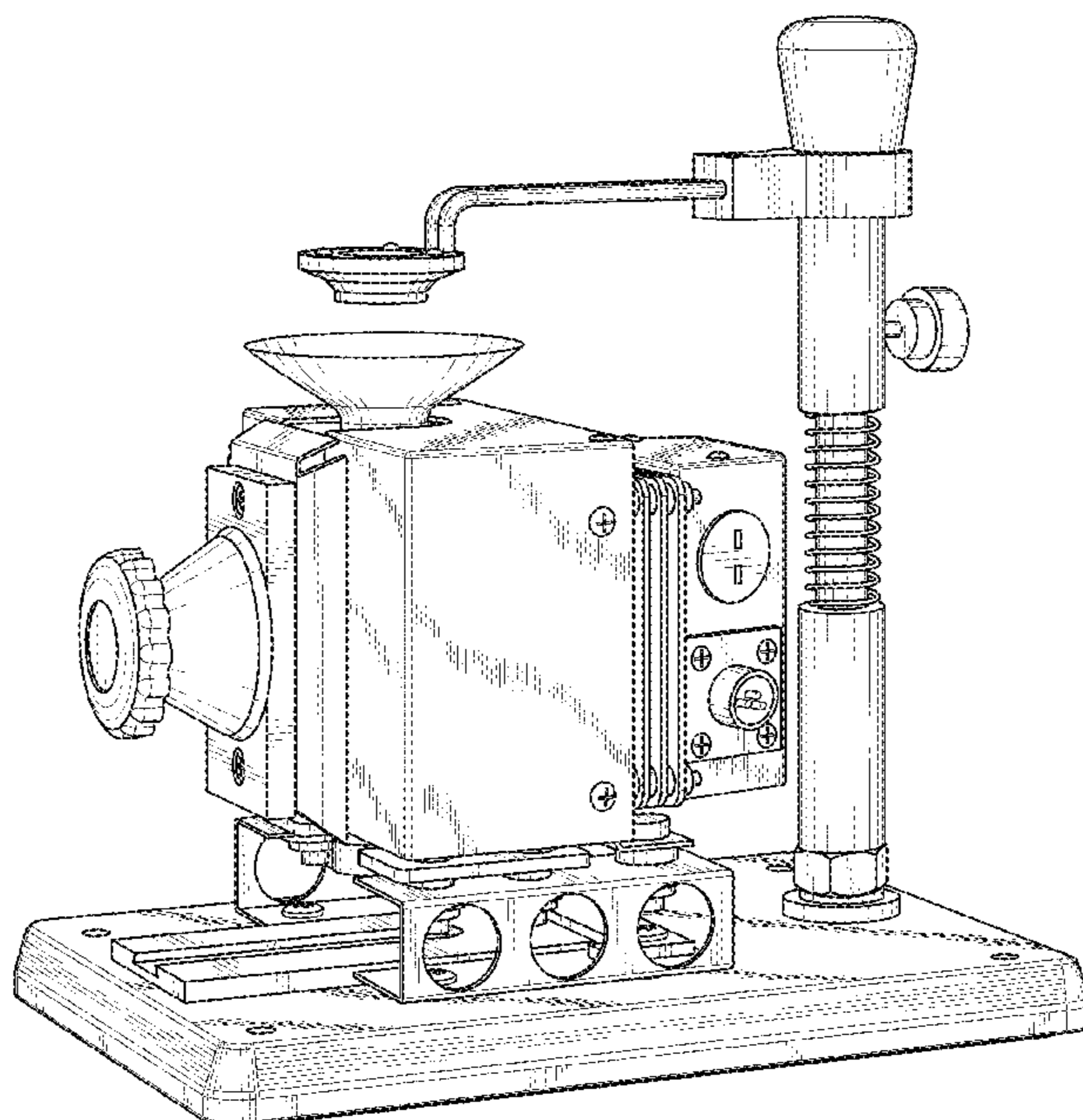
(57) **CLAIM**

The ornamental design for an injection tube support apparatus, as shown.

DESCRIPTION

FIG. 1 is a perspective view an injection tube support apparatus showing my new design;
FIG. 2 is a first side view thereof;
FIG. 3 is a second side view thereof;
FIG. 4 is a front view thereof;
FIG. 5 is a back view thereof;
FIG. 6 is a top plan view thereof; and,
FIG. 7 is a bottom plan view thereof.

1 Claim, 7 Drawing Sheets



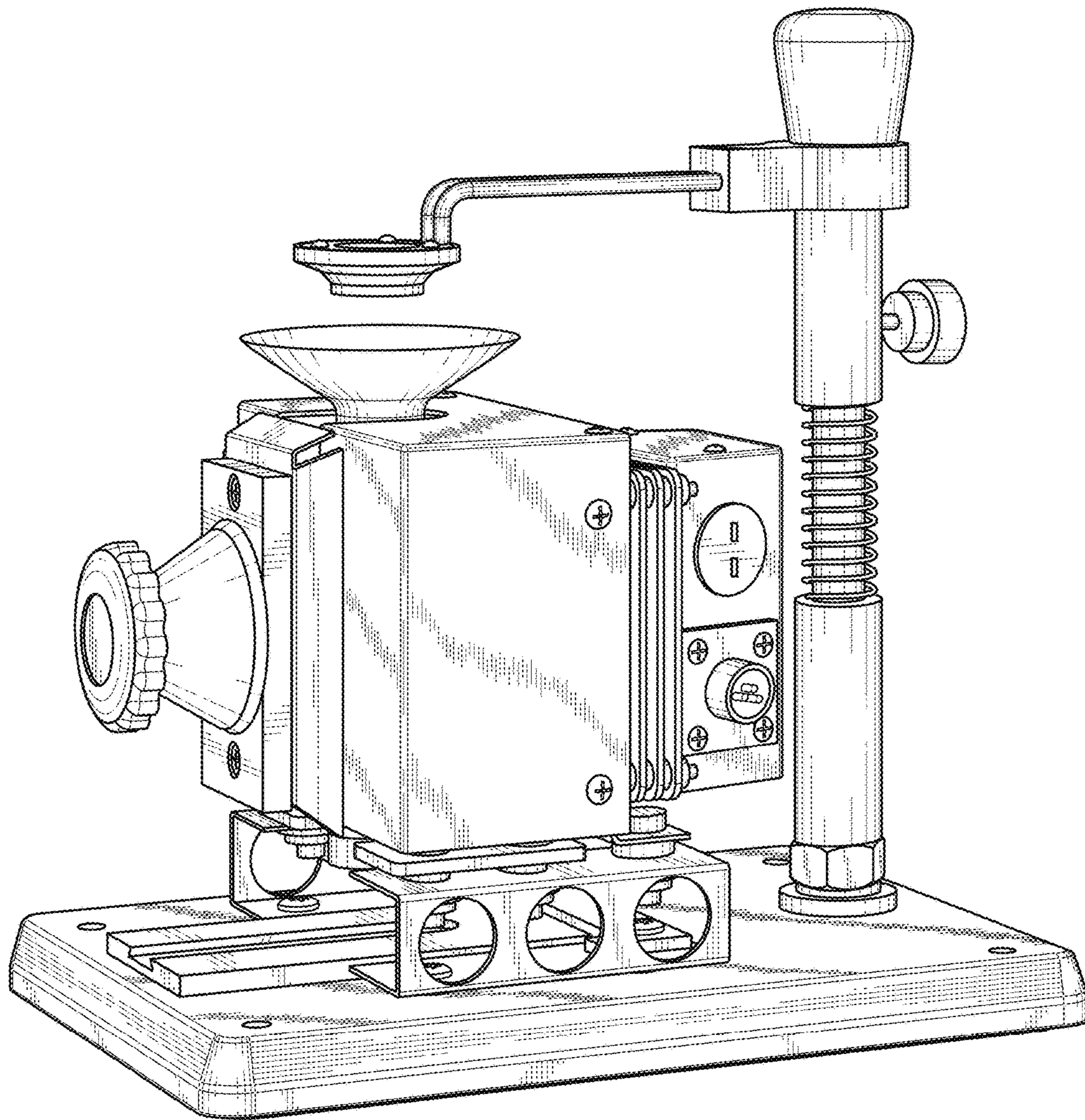


FIG. 1

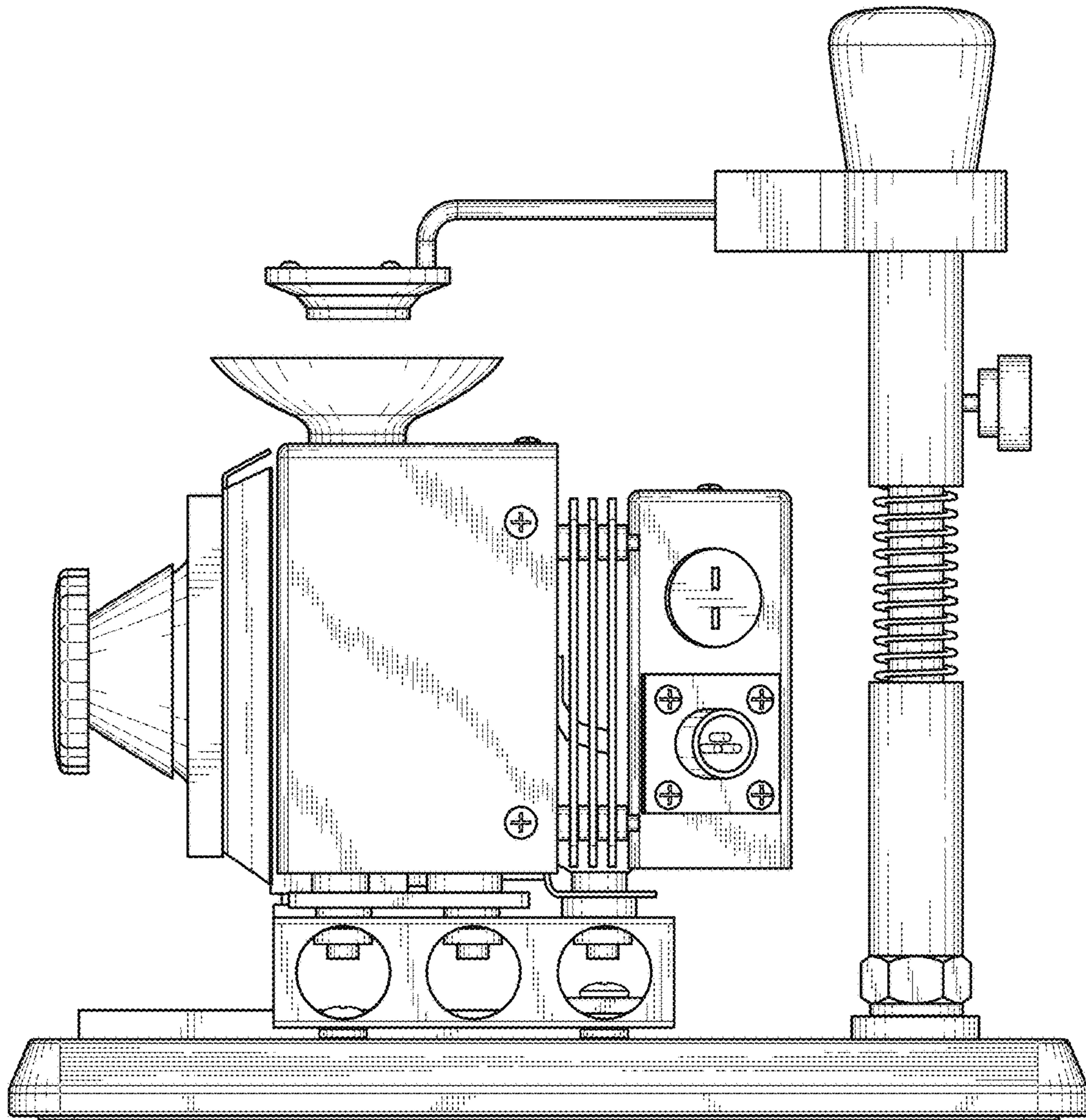


FIG. 2

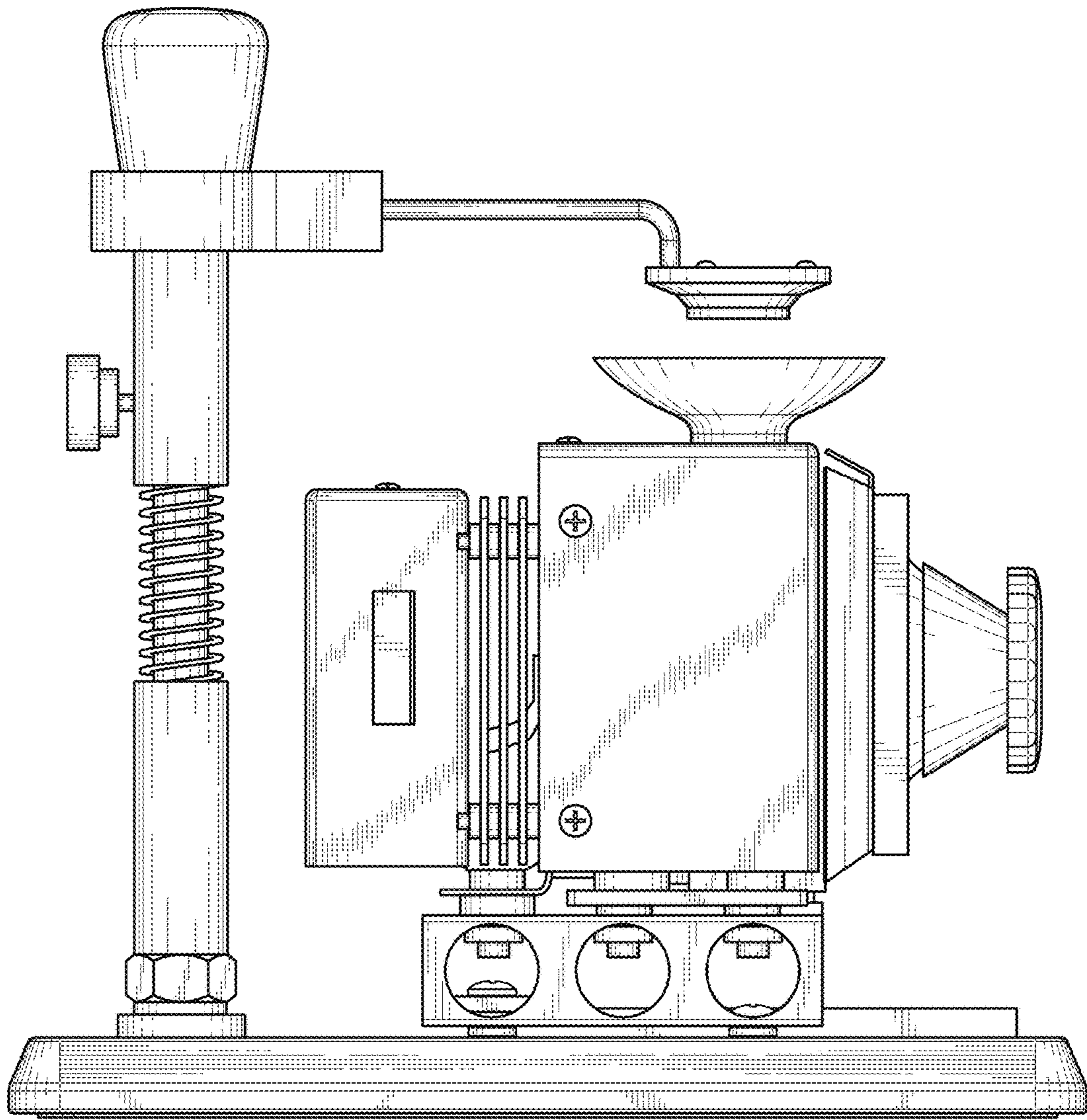


FIG. 3

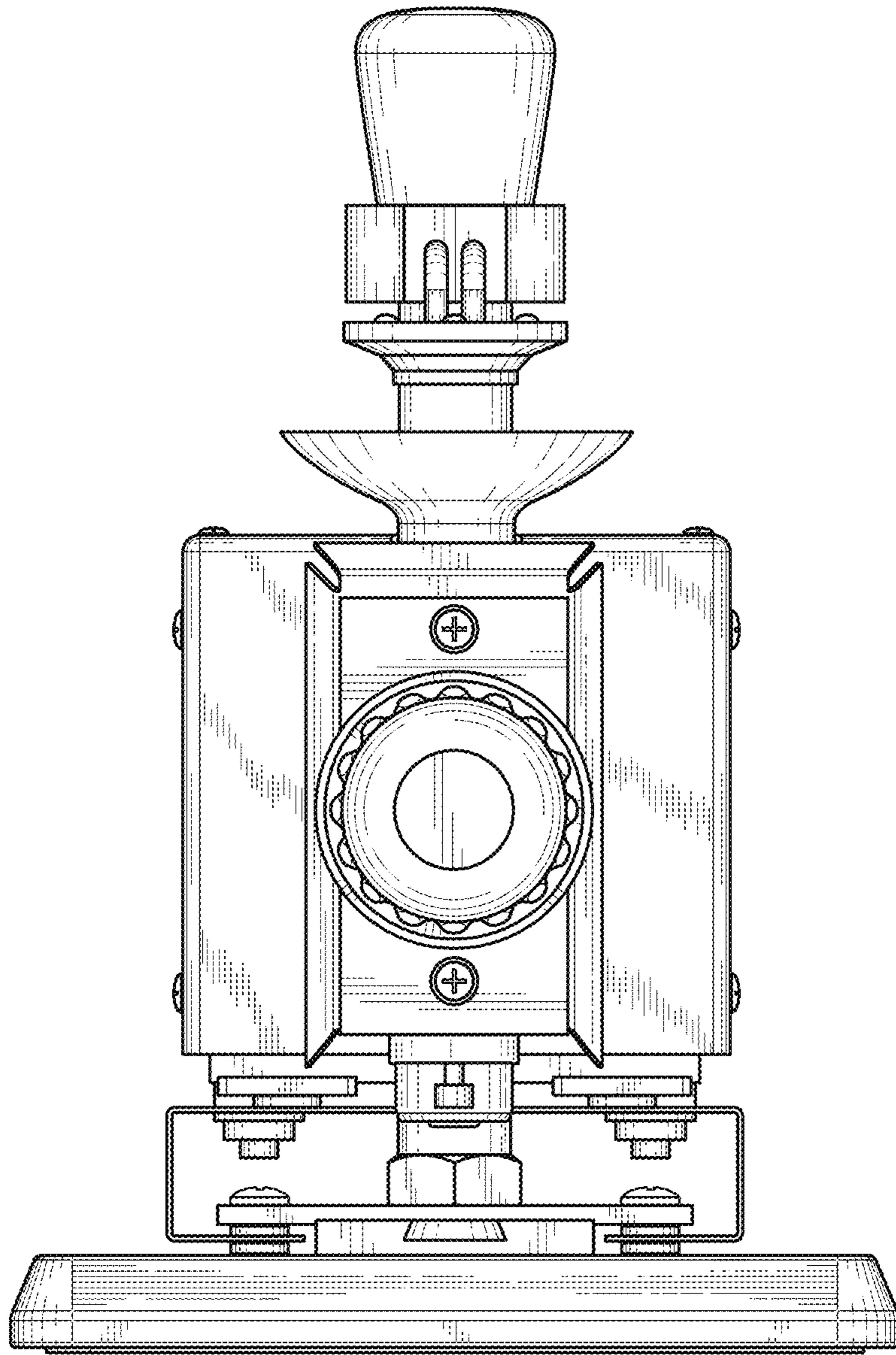


FIG. 4

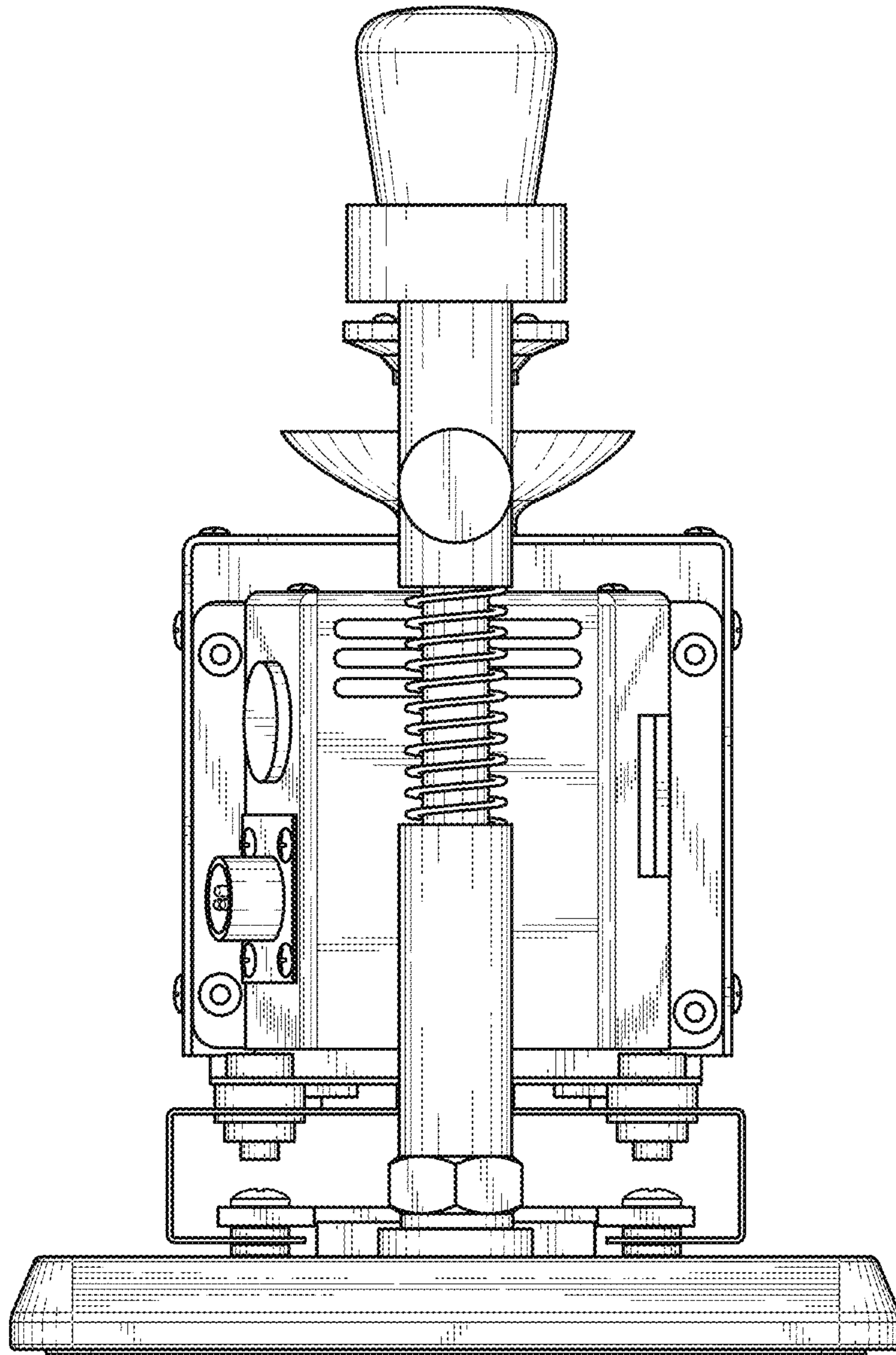


FIG. 5

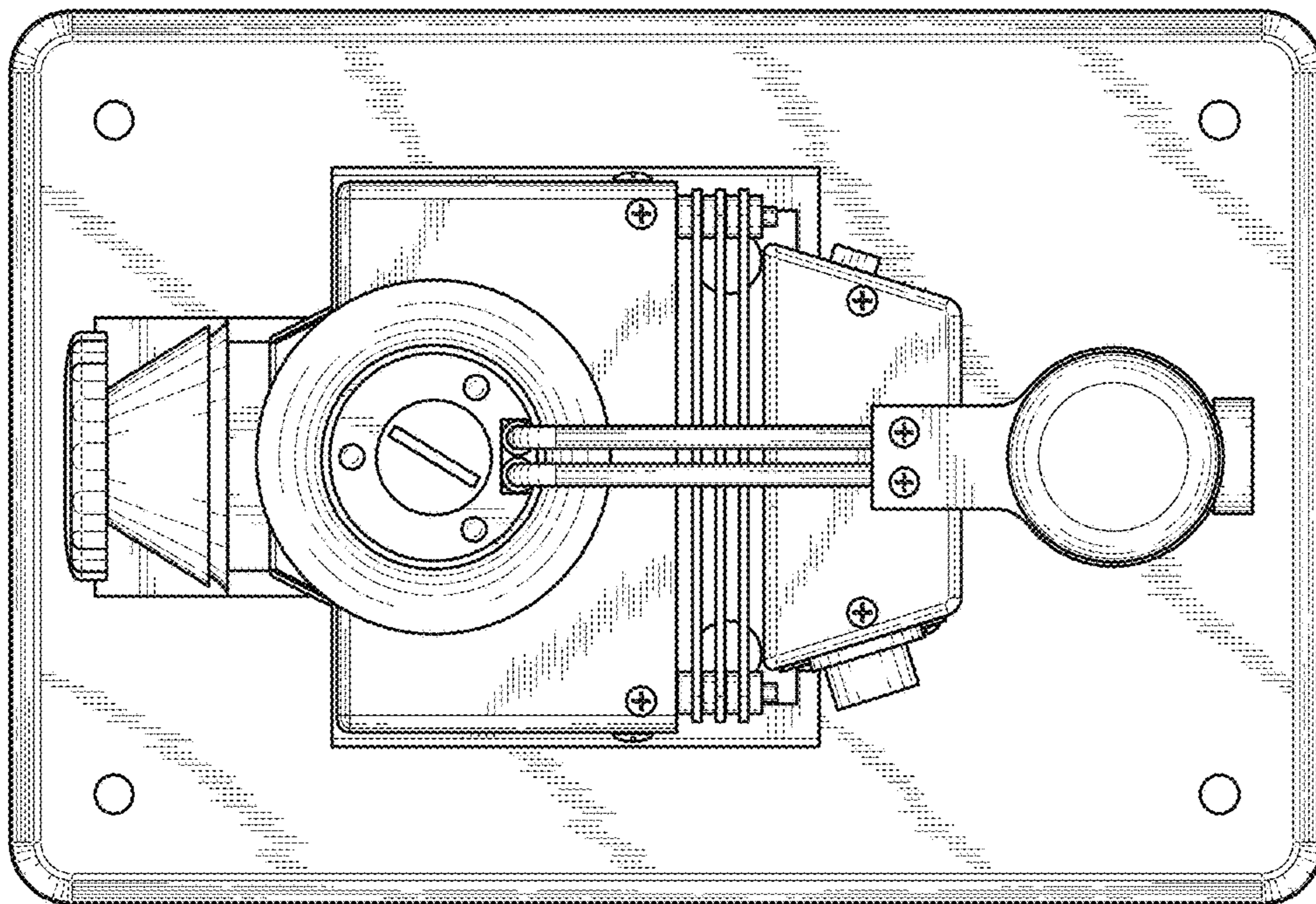


FIG. 6

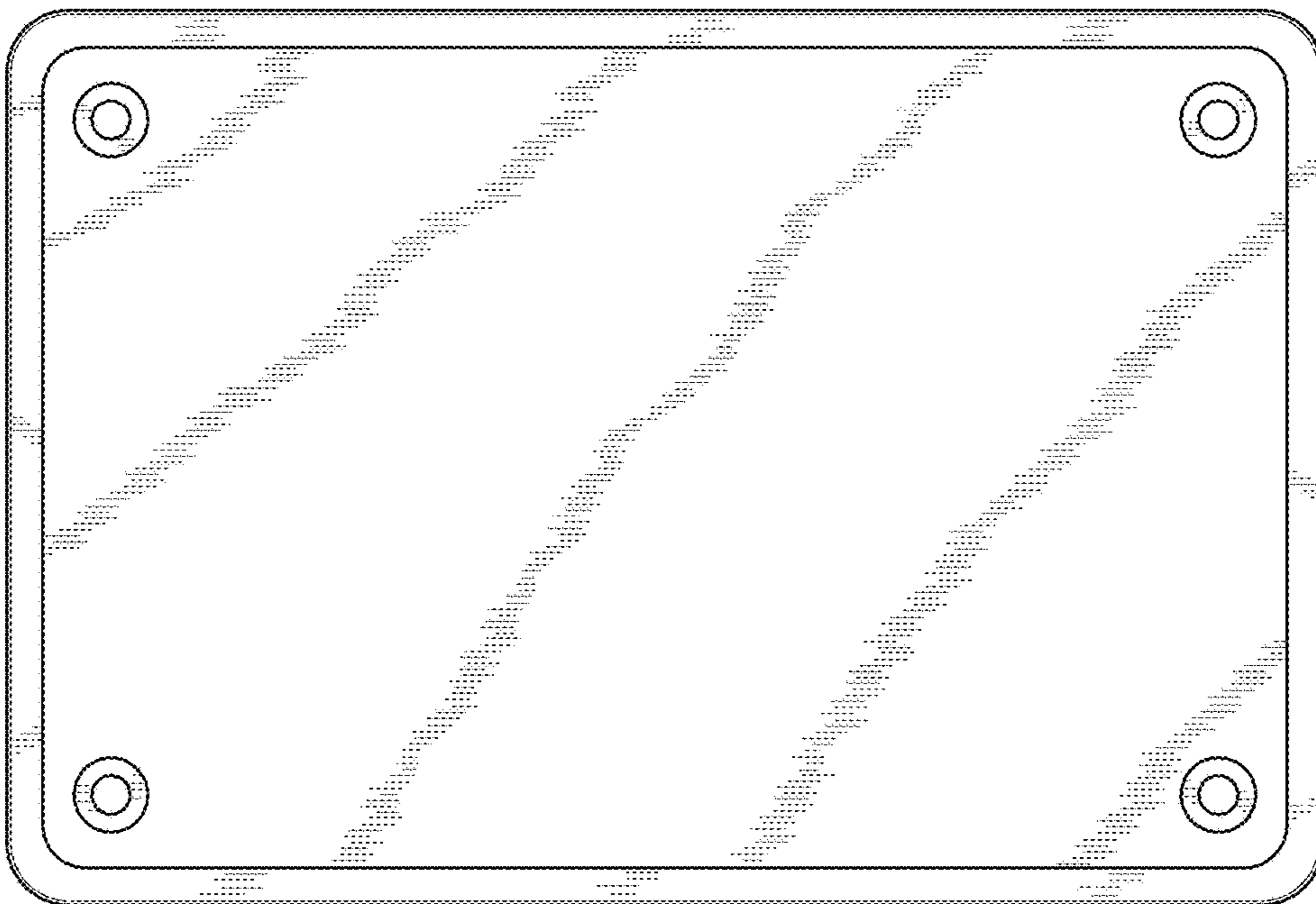


FIG. 7