



US00D776175S

(12) **United States Design Patent**  
**Lin et al.**

(10) **Patent No.:** **US D776,175 S**  
(45) **Date of Patent:** **\*\* Jan. 10, 2017**

- (54) **GRINDER**
- (71) Applicants: **Chi-Wen Lin**, Taichung (TW);  
**Chi-Kuo Lin**, Taichung (TW)
- (72) Inventors: **Chi-Wen Lin**, Taichung (TW);  
**Chi-Kuo Lin**, Taichung (TW)

D530,728 S *	10/2006	Liao	.....	D15/124
D559,872 S *	1/2008	Pfaff	.....	D15/124
D635,162 S *	3/2011	Johansen	.....	D15/125
D654,100 S *	2/2012	Scherl	.....	D15/125
D712,696 S *	9/2014	Huber	.....	D7/372
D719,989 S *	12/2014	St. Laurent	.....	D15/124
D724,634 S *	3/2015	St. Laurent	.....	D15/124
2002/0081954 A1 *	6/2002	Mori	.....	B24B 7/04 451/65

(\*\*) Term: **15 Years**

\* cited by examiner

(21) Appl. No.: **29/541,192**

*Primary Examiner* — Patricia Palasik

(22) Filed: **Oct. 1, 2015**

(51) **LOC (10) Cl.** ..... **15-09**

(57) **CLAIM**

(52) **U.S. Cl.**  
USPC ..... **D15/125**

The ornamental design for a grinder, as shown and described.

(58) **Field of Classification Search**  
USPC ..... D15/123, 124, 125  
See application file for complete search history.

**DESCRIPTION**

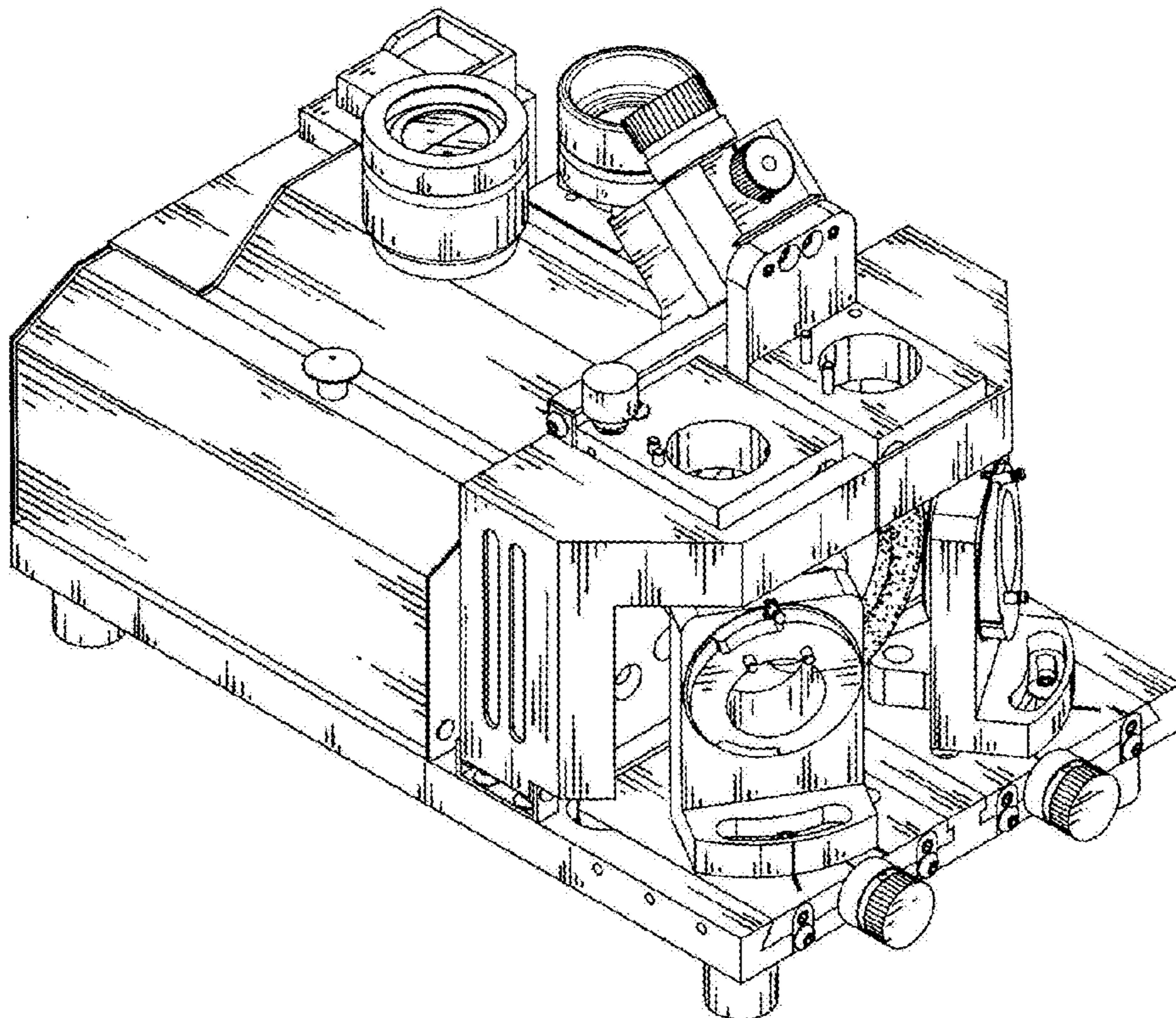
(56) **References Cited**

FIG. 1 is a perspective view of a grinder showing our new design;  
FIG. 2 is a front elevational view thereof;  
FIG. 3 is a rear elevational view thereof;  
FIG. 4 is a left side view thereof;  
FIG. 5 is a right side view thereof; and,  
FIG. 6 is a top plan view thereof.

U.S. PATENT DOCUMENTS

3,634,979 A *	1/1972	Robillard	.....	B23Q 15/00 451/14
5,139,005 A *	8/1992	Dodd	.....	B23F 23/1225 125/11.01
6,224,462 B1 *	5/2001	Yokoyama	.....	B24B 5/00 451/10

**1 Claim, 6 Drawing Sheets**



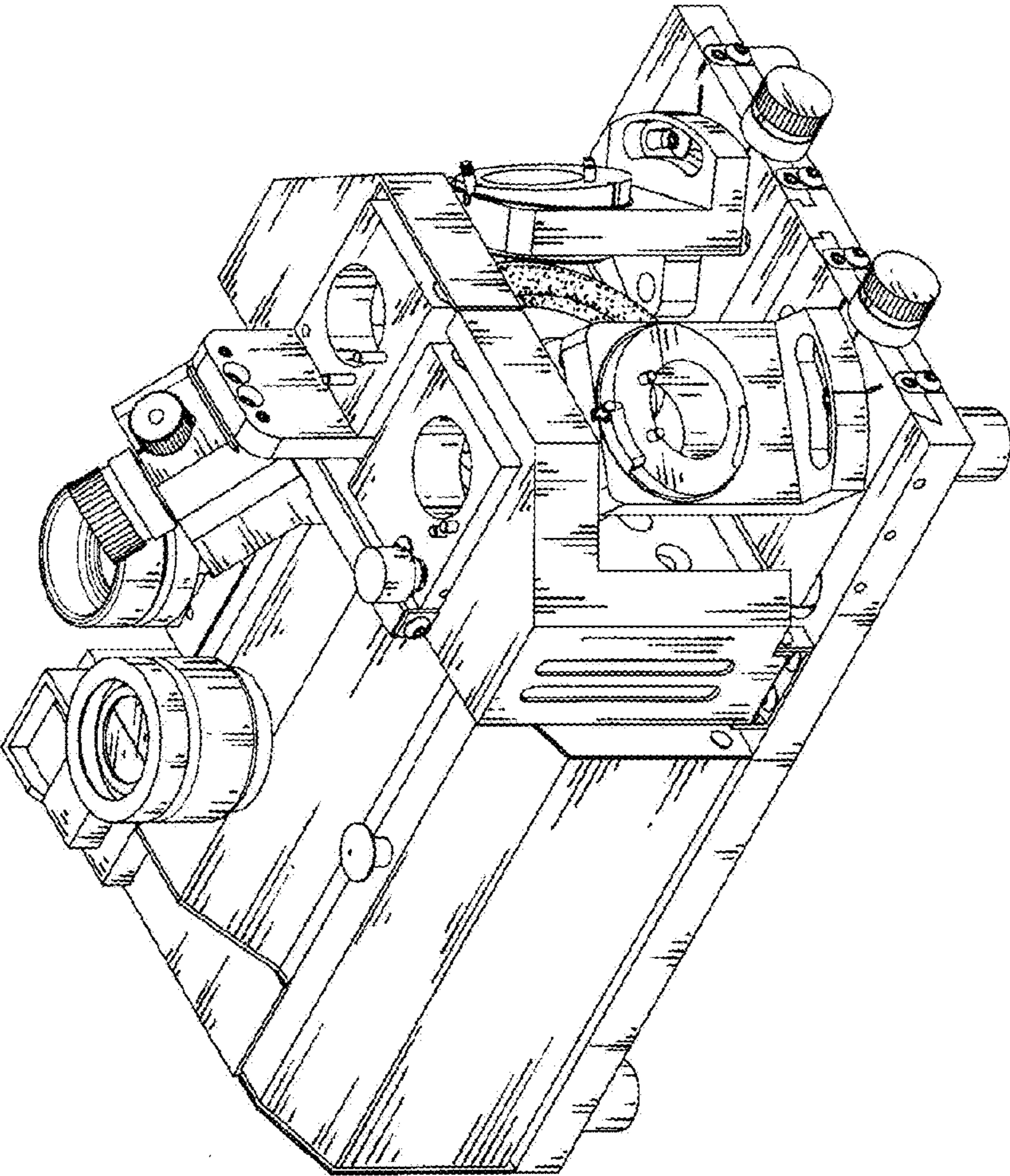


FIG.1

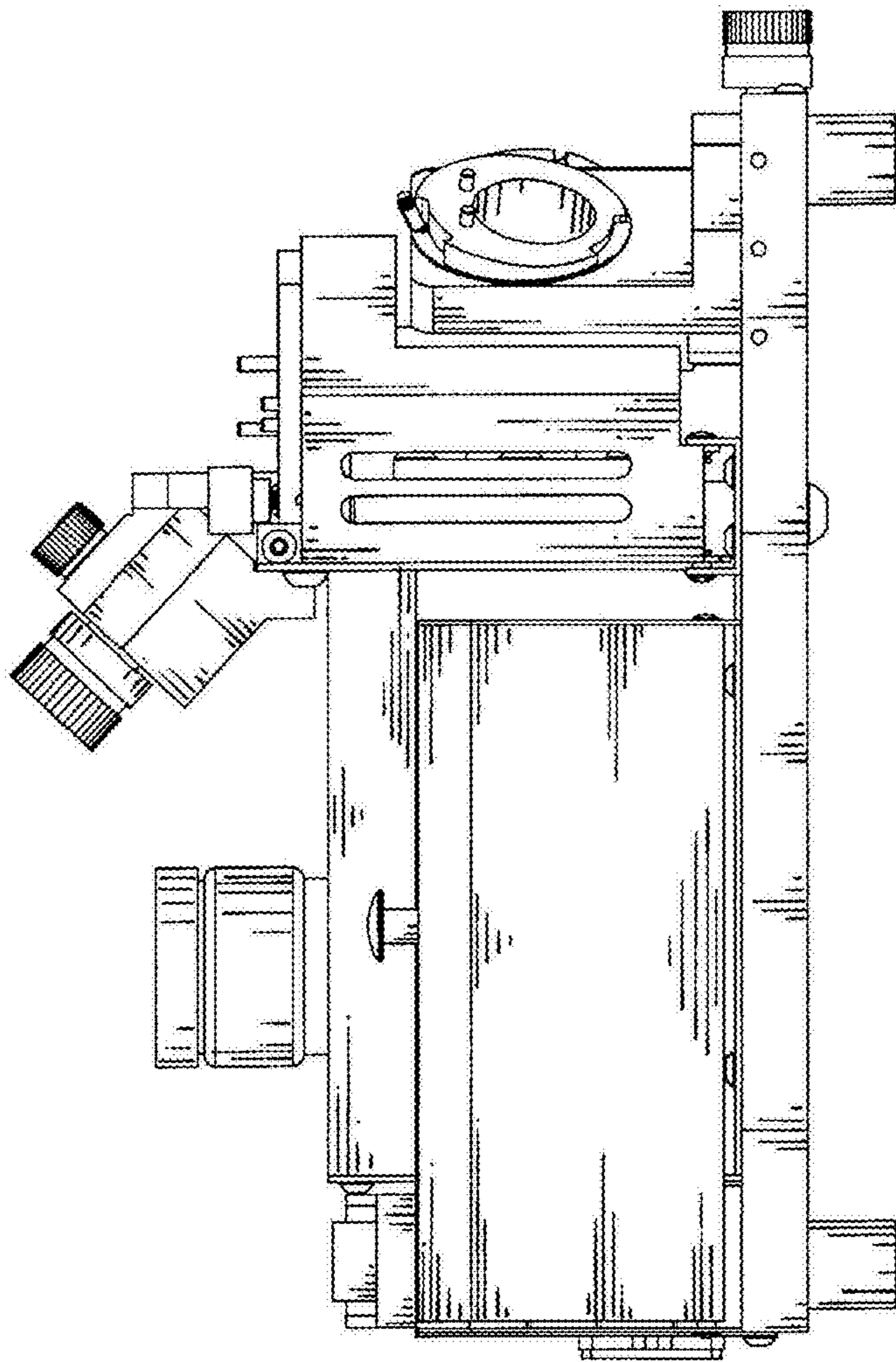


FIG.2

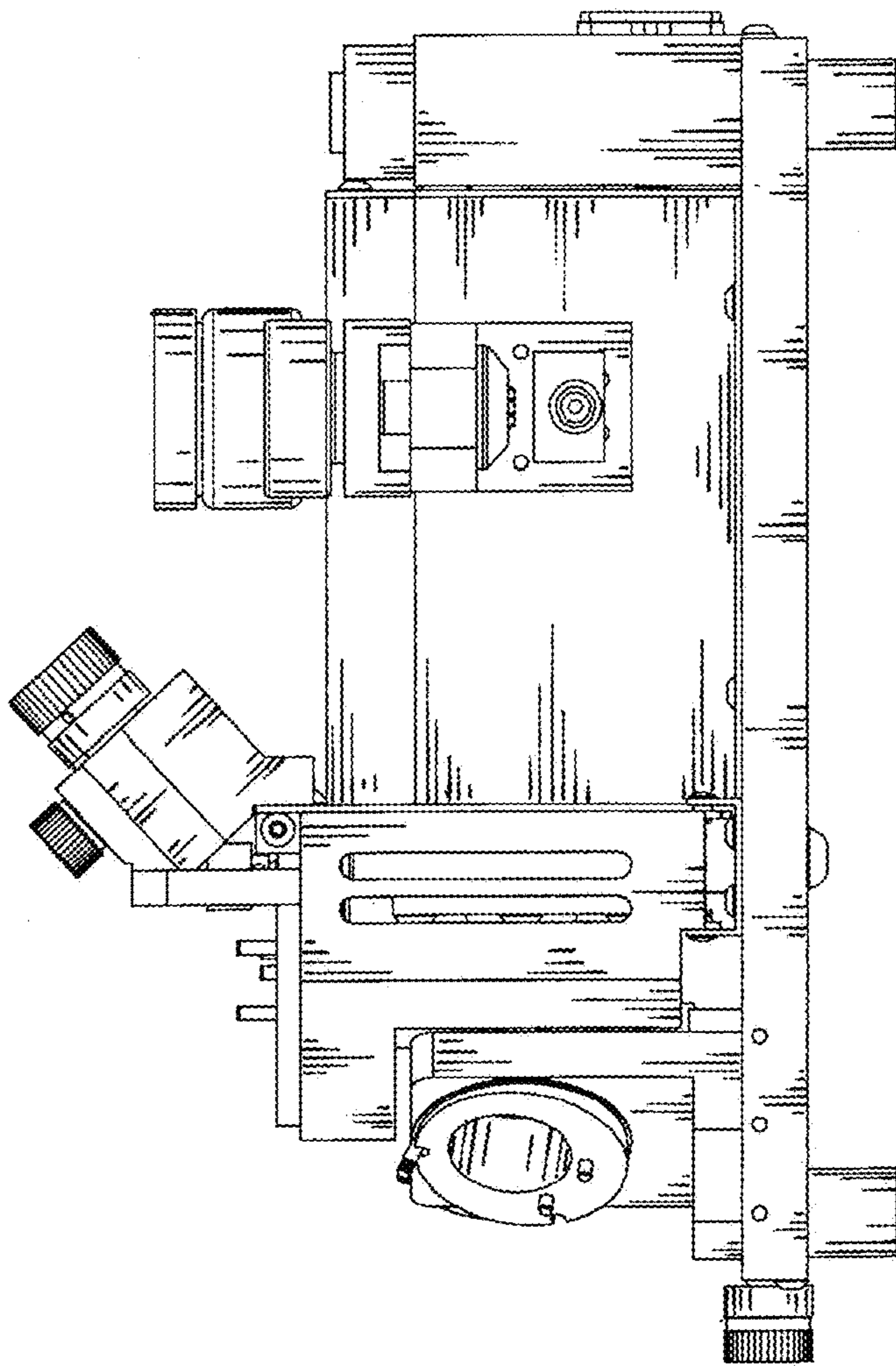


FIG.3

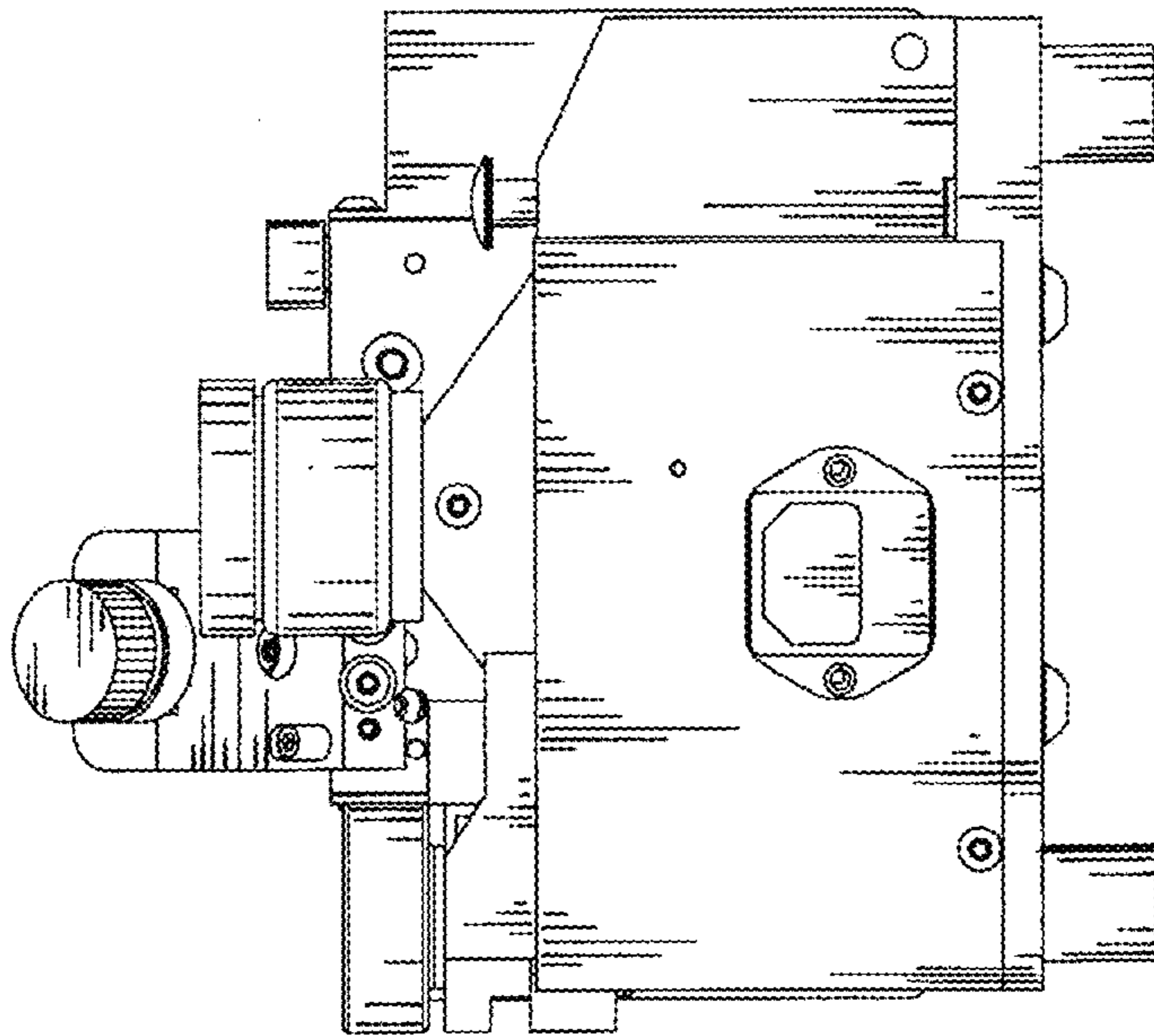


FIG.4

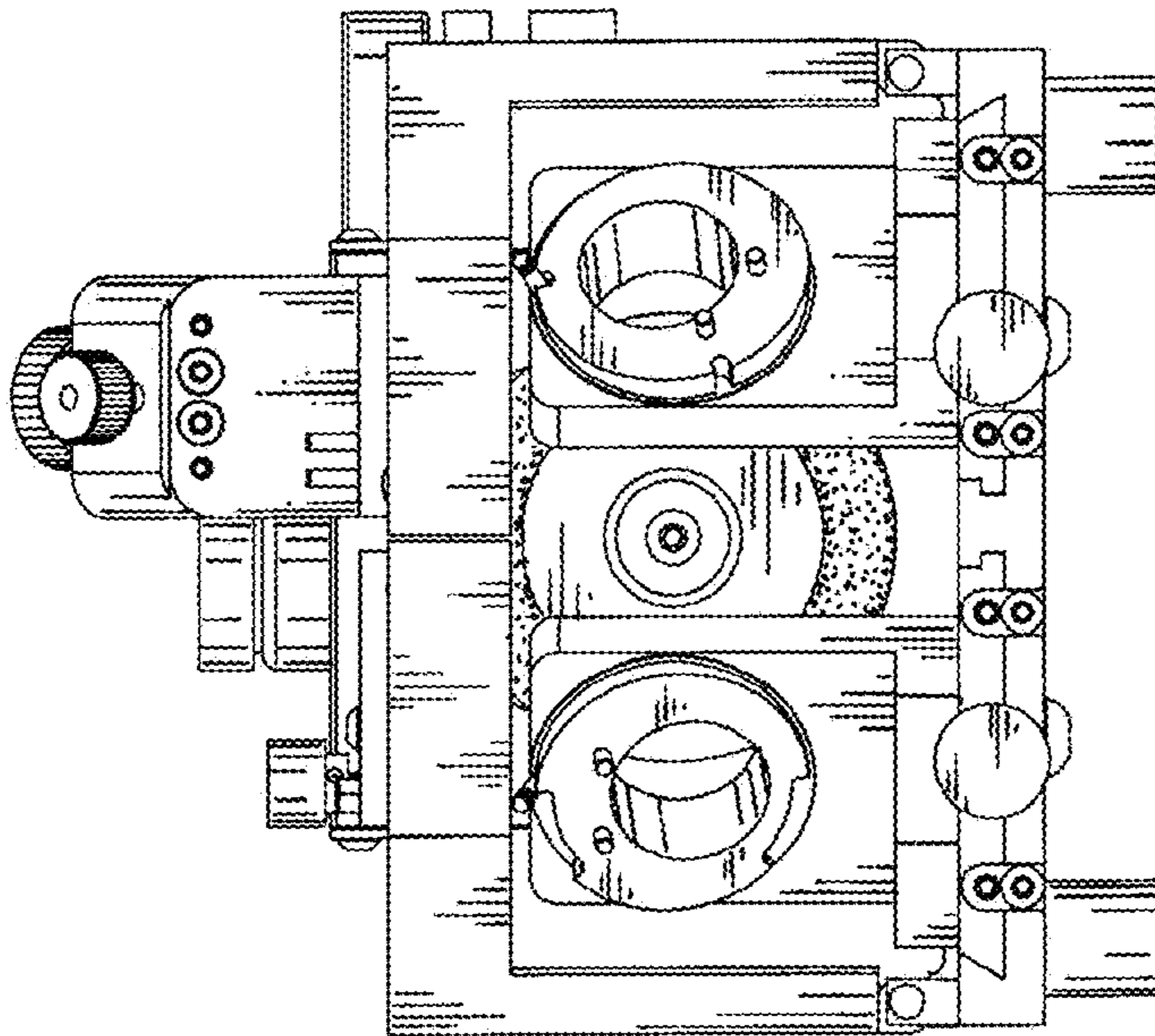


FIG. 5

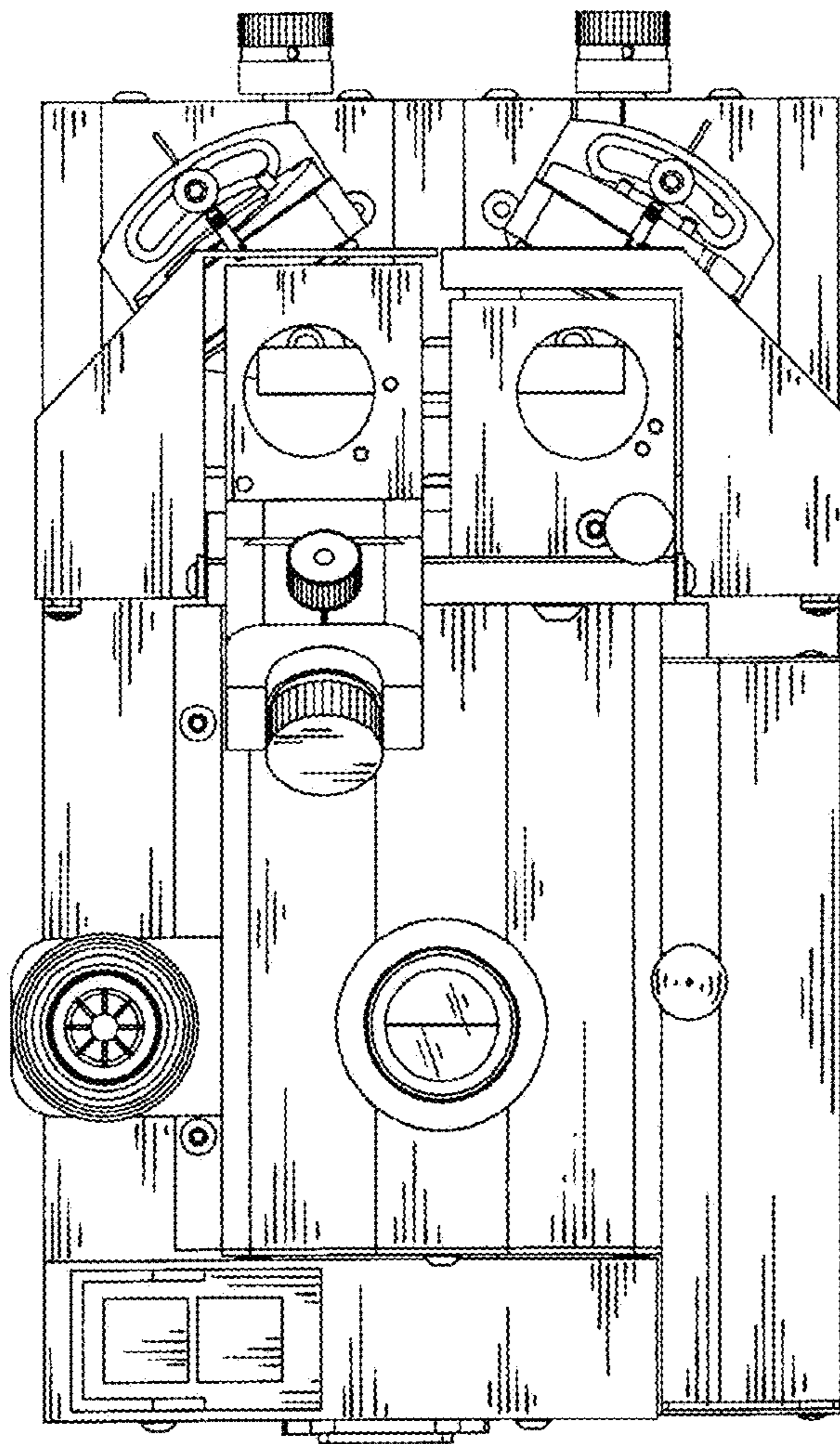


FIG. 6