



US00D776174S

(12) **United States Design Patent**
Summit et al.

(10) **Patent No.:** **US D776,174 S**

(45) **Date of Patent:** **** *Jan. 10, 2017**

(54) **THREE-DIMENSIONAL PRINTER FRAME**

(71) Applicant: **3D Systems, Inc.**, Rock Hill, SC (US)

(72) Inventors: **Scott Summit**, Mill Valley, CA (US);
Janne Kyttanen, Amsterdam (NL)

(73) Assignee: **3D Systems, Inc.**, Rock Hill, SC (US)

(*) Notice: This patent is subject to a terminal disclaimer.

(**) Term: **14 Years**

(21) Appl. No.: **29/478,252**

(22) Filed: **Jan. 2, 2014**

(51) **LOC (10) Cl.** **15-09**

(52) **U.S. Cl.**
USPC **D15/122**

(58) **Field of Classification Search**
USPC D15/122, 135-137, 141; D18/59, 50, 14,
D18/19, 54, 36-37; D14/301; D6/675,
D6/708, D6/691.4
CPC B41J 3/4073; B41F 19/08; B28B 1/001;
B29C 67/0051; B29C 67/0055; B29C
67/0059

See application file for complete search history.

(56) **References Cited**

U.S. PATENT DOCUMENTS

- 4,258,960 A * 3/1981 Harris F16C 3/026
156/154
- 4,449,833 A * 5/1984 Montgomery,
IV G04B 37/0066
368/262
- D600,944 S * 9/2009 McConnell D6/675
- D677,723 S * 3/2013 Buel D18/59
- D718,715 S * 12/2014 Si D13/110
- D722,108 S * 2/2015 Reches D18/50

- D729,761 S * 5/2015 Hu D14/194
- D733,196 S * 6/2015 Wolf D15/122
- D734,788 S * 7/2015 Reches D15/122

(Continued)

FOREIGN PATENT DOCUMENTS

CN 303000122 * 11/2014

Primary Examiner — Bridget L Eland

Assistant Examiner — Lauren McVey

(74) *Attorney, Agent, or Firm* — Staniford Tomita LLP

(57) **CLAIM**

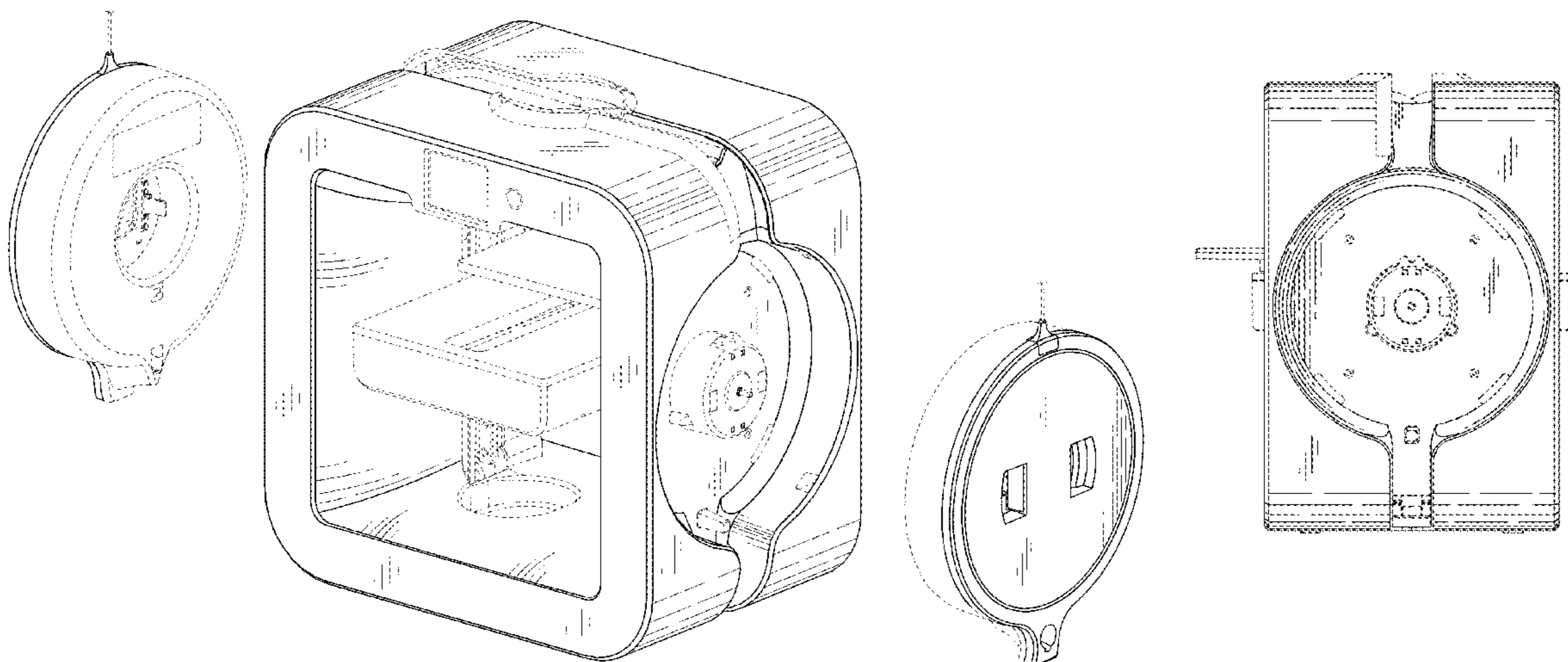
What is claimed is the ornamental design for a three-dimensional printer frame, as shown and described.

DESCRIPTION

FIG. 1 is a front perspective view of a three-dimensional printer frame showing our new design;
 FIG. 2 is a top view thereof;
 FIG. 3 is a front view thereof;
 FIG. 4 is a left side view thereof;
 FIG. 5 is a right side view thereof;
 FIG. 6 is a rear view thereof;
 FIG. 7 is a bottom view thereof;
 FIG. 8 is an exploded front perspective view, wherein the circular structure is disconnected in order to show aspects of the design that are not otherwise apparent;
 FIG. 9 is a top view of FIG. 8 with the circular structure omitted in order to show portions of the disclosure that would not otherwise be apparent;
 FIG. 10 is a front view of FIG. 9;
 FIG. 11 is a left side view of FIG. 9;
 FIG. 12 is a right side view of FIG. 9;
 FIG. 13 is a rear view of FIG. 9; and,
 FIG. 14 is a bottom view of FIG. 9.

The broken lines adjacent to the shaded areas represent the bounds of the claimed design while all other broken lines are directed to environment and are for illustrative purposes only. The broken lines form no part of the claimed design.

1 Claim, 8 Drawing Sheets



(56)

References Cited

U.S. PATENT DOCUMENTS

D734,814 S * 7/2015 Yeh D18/50
2014/0043630 A1* 2/2014 Buser H04N 13/02
358/1.13
2014/0074274 A1* 3/2014 Douglas B29C 67/0055
700/105
2014/0363532 A1* 12/2014 Wolfgram B29C 67/0085
425/113

* cited by examiner

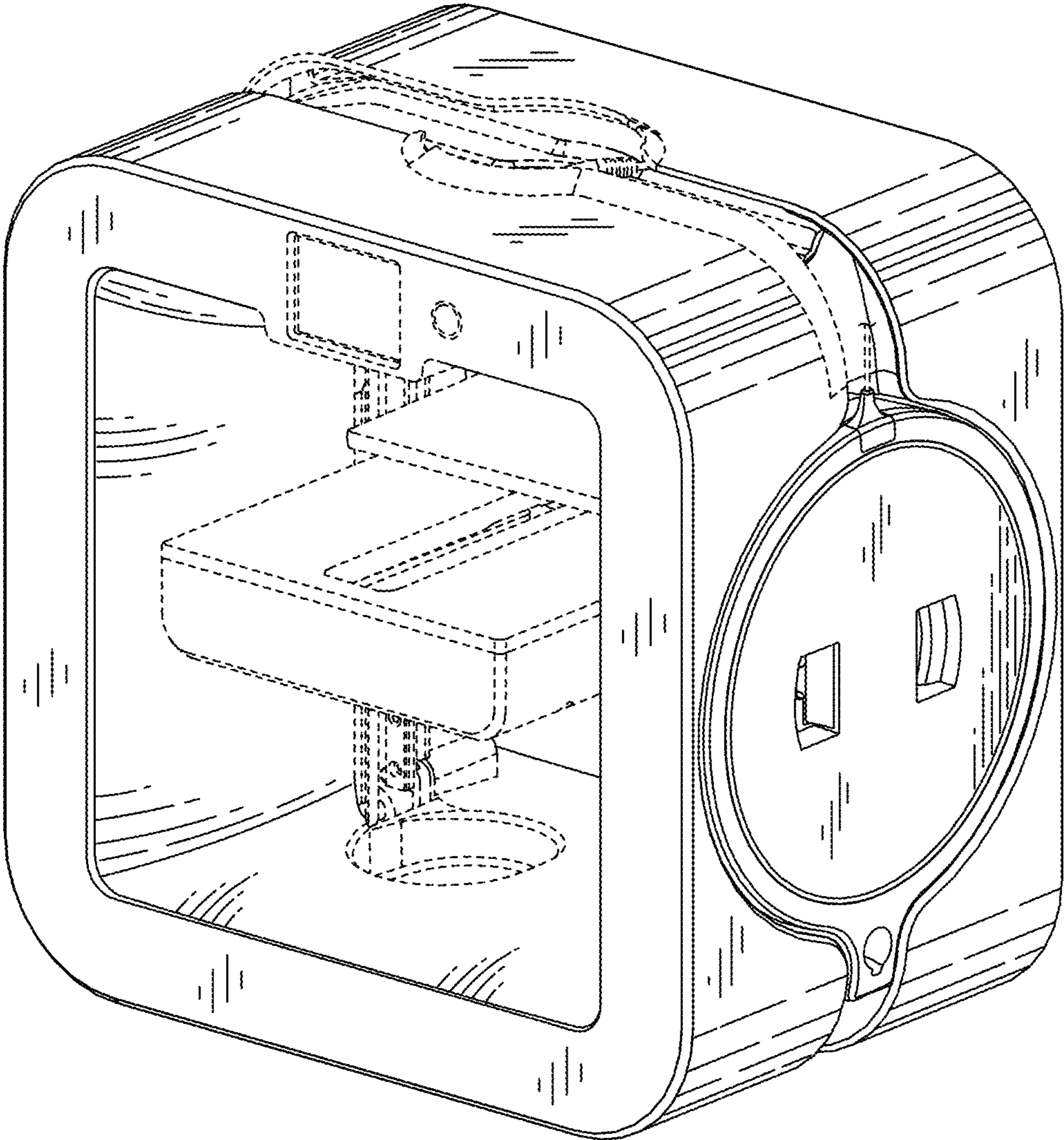


FIG. 1

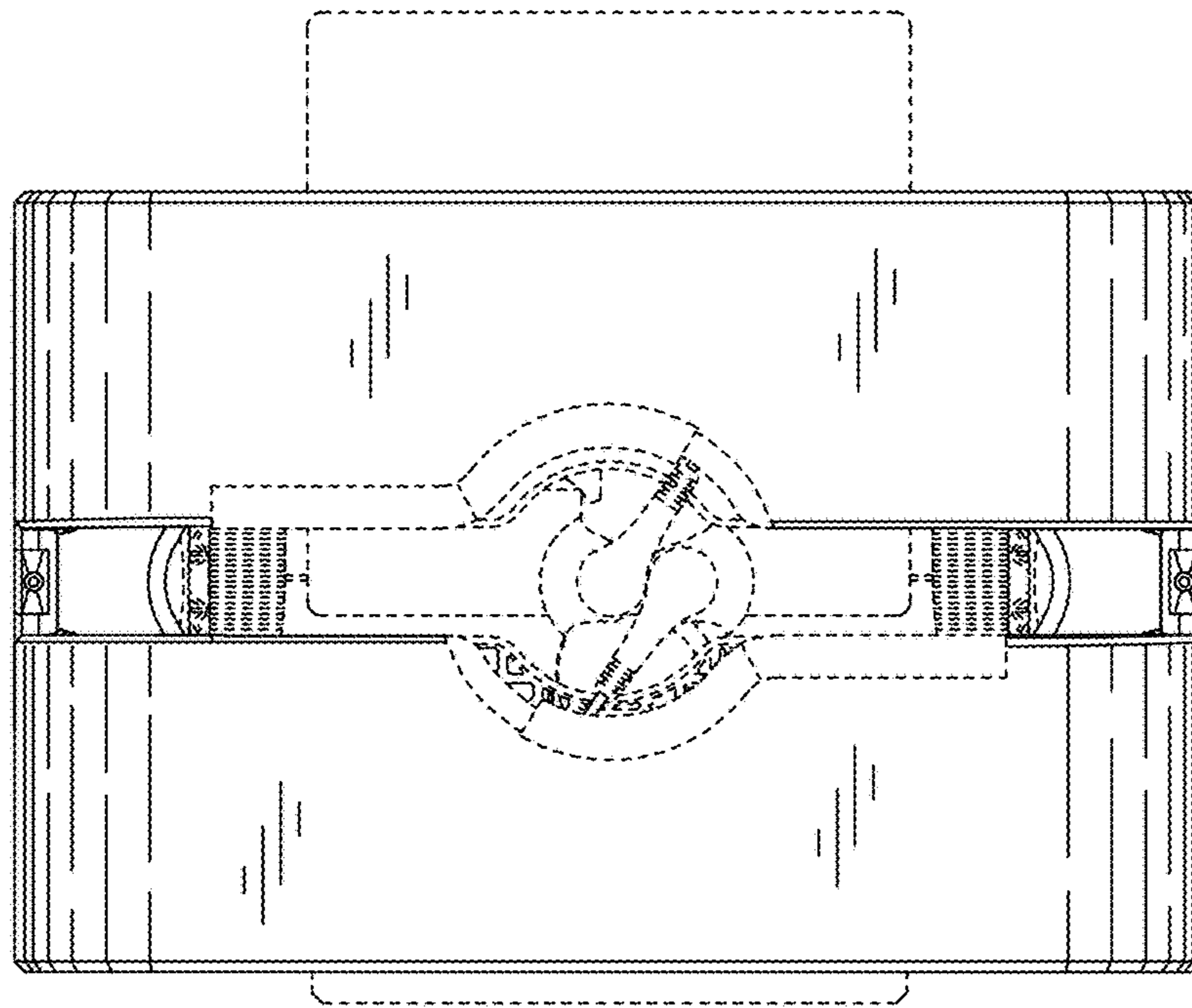


FIG. 2

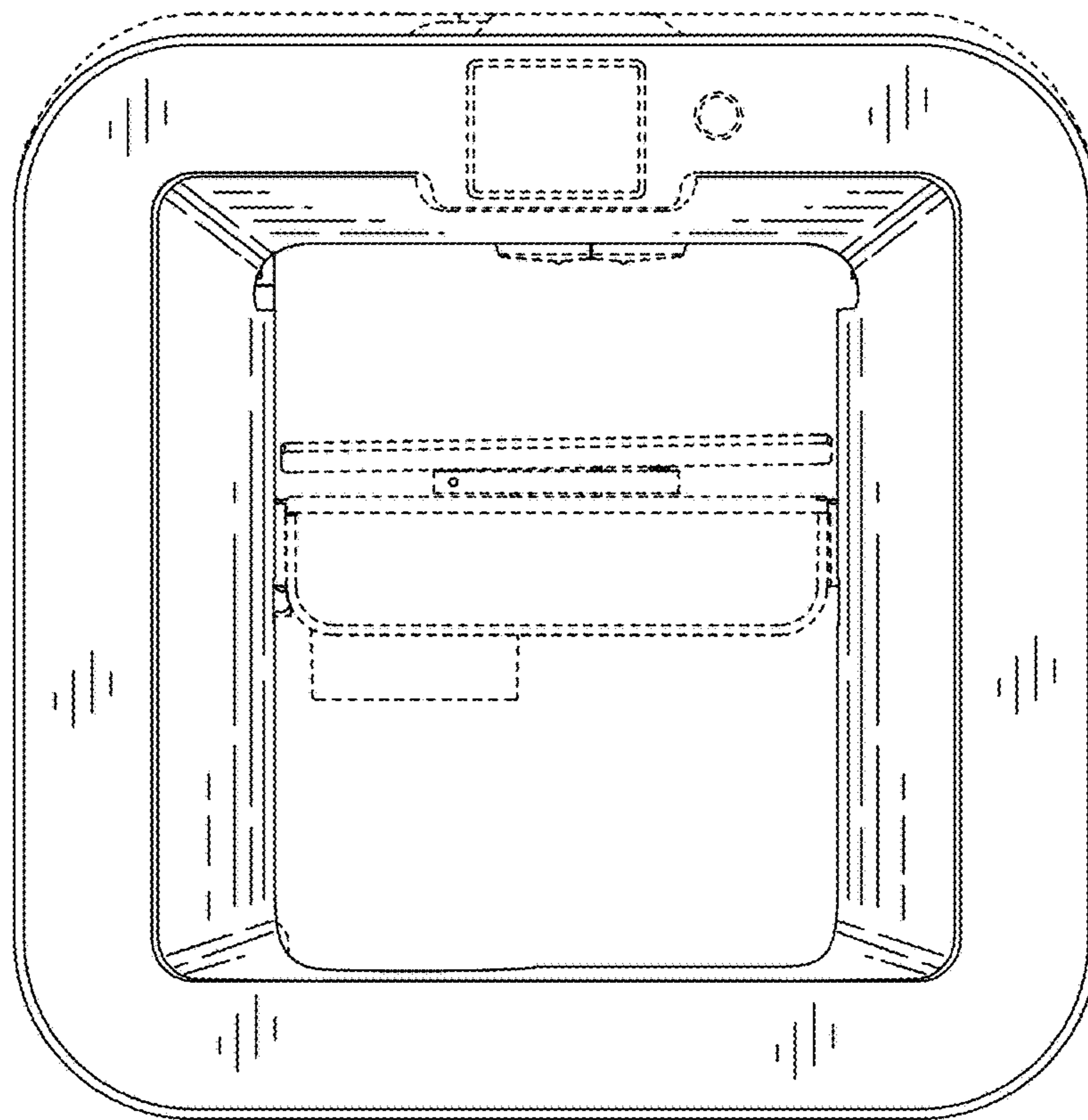


FIG. 3

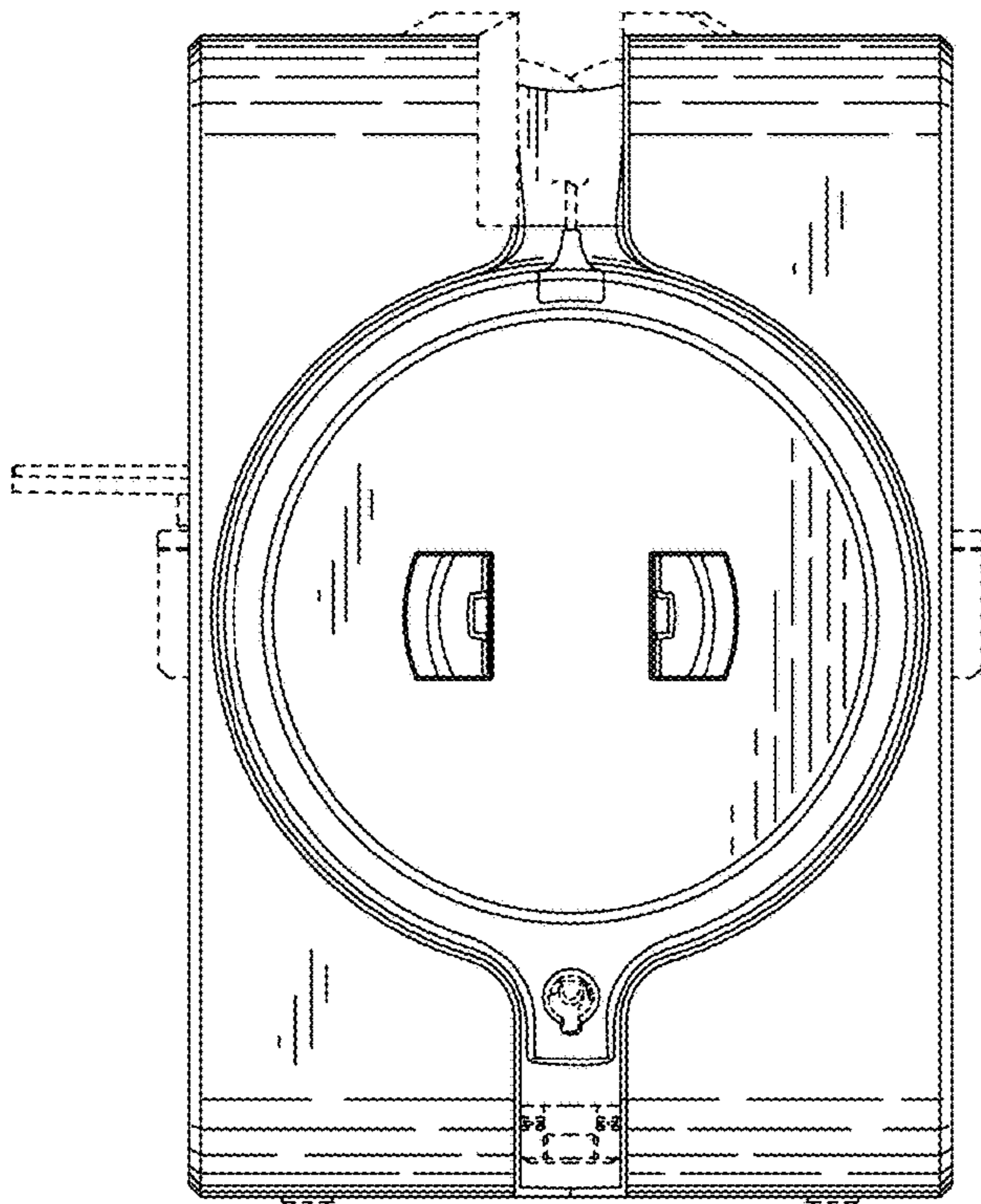


FIG. 4

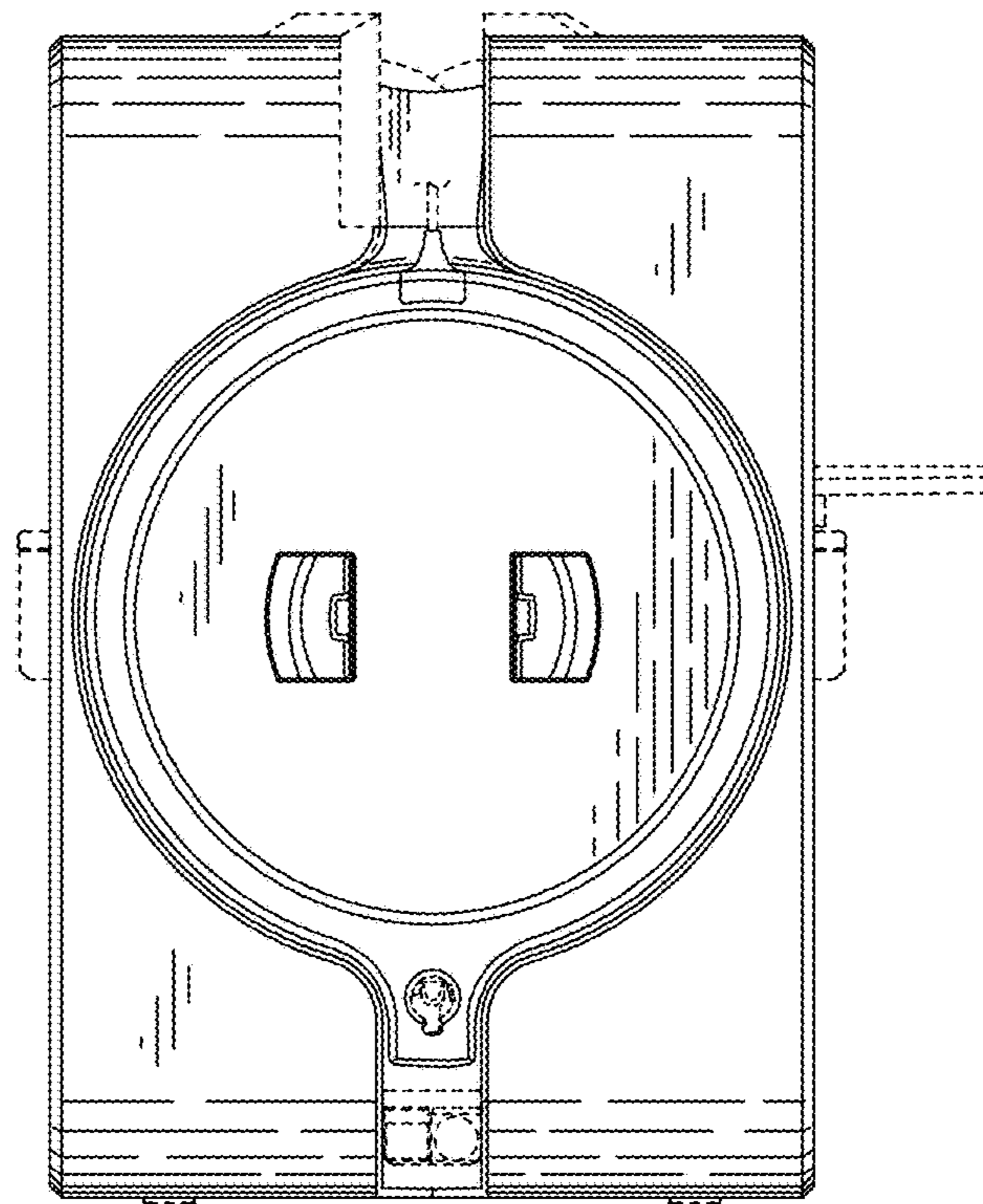


FIG. 5

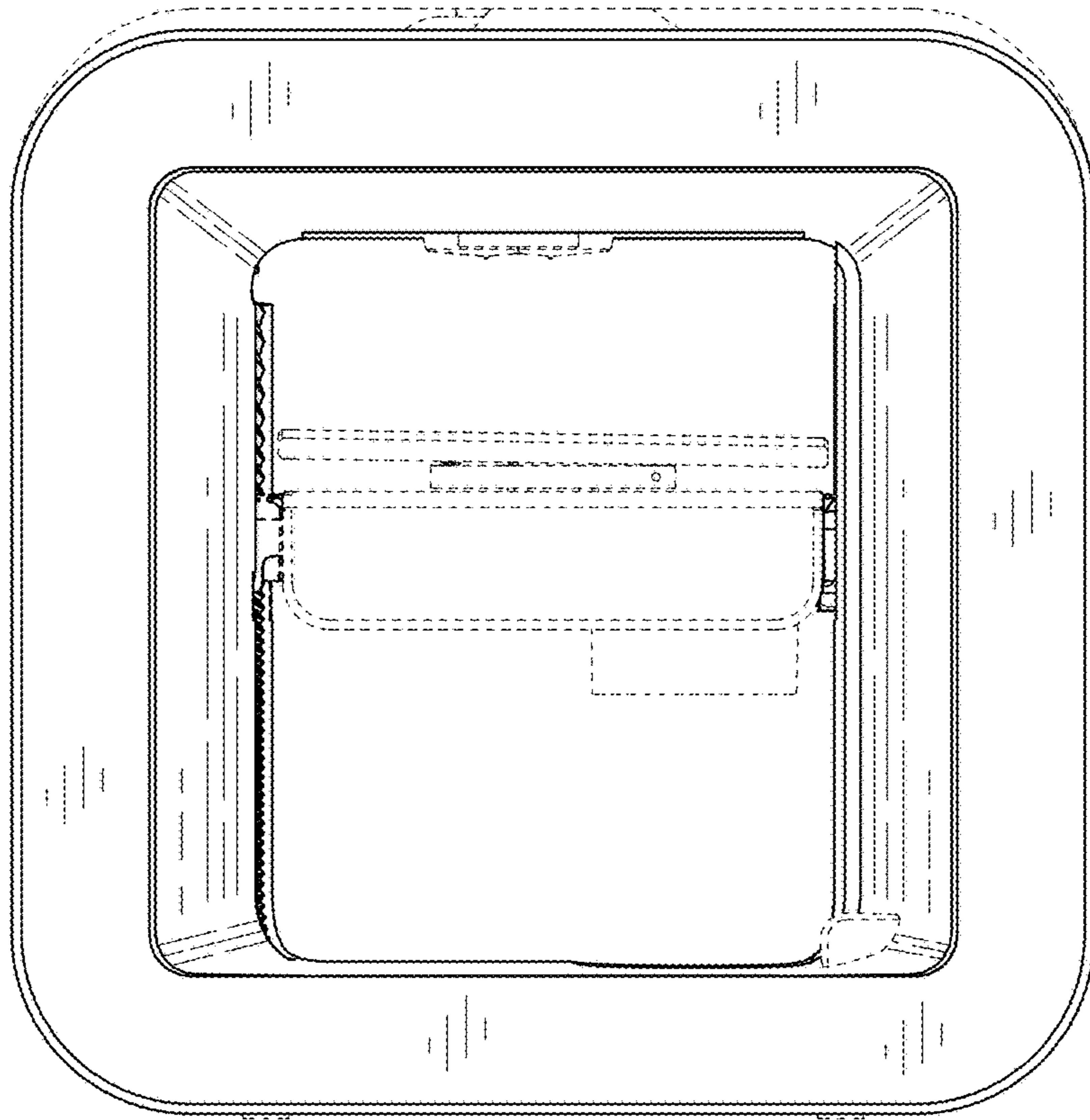


FIG. 6

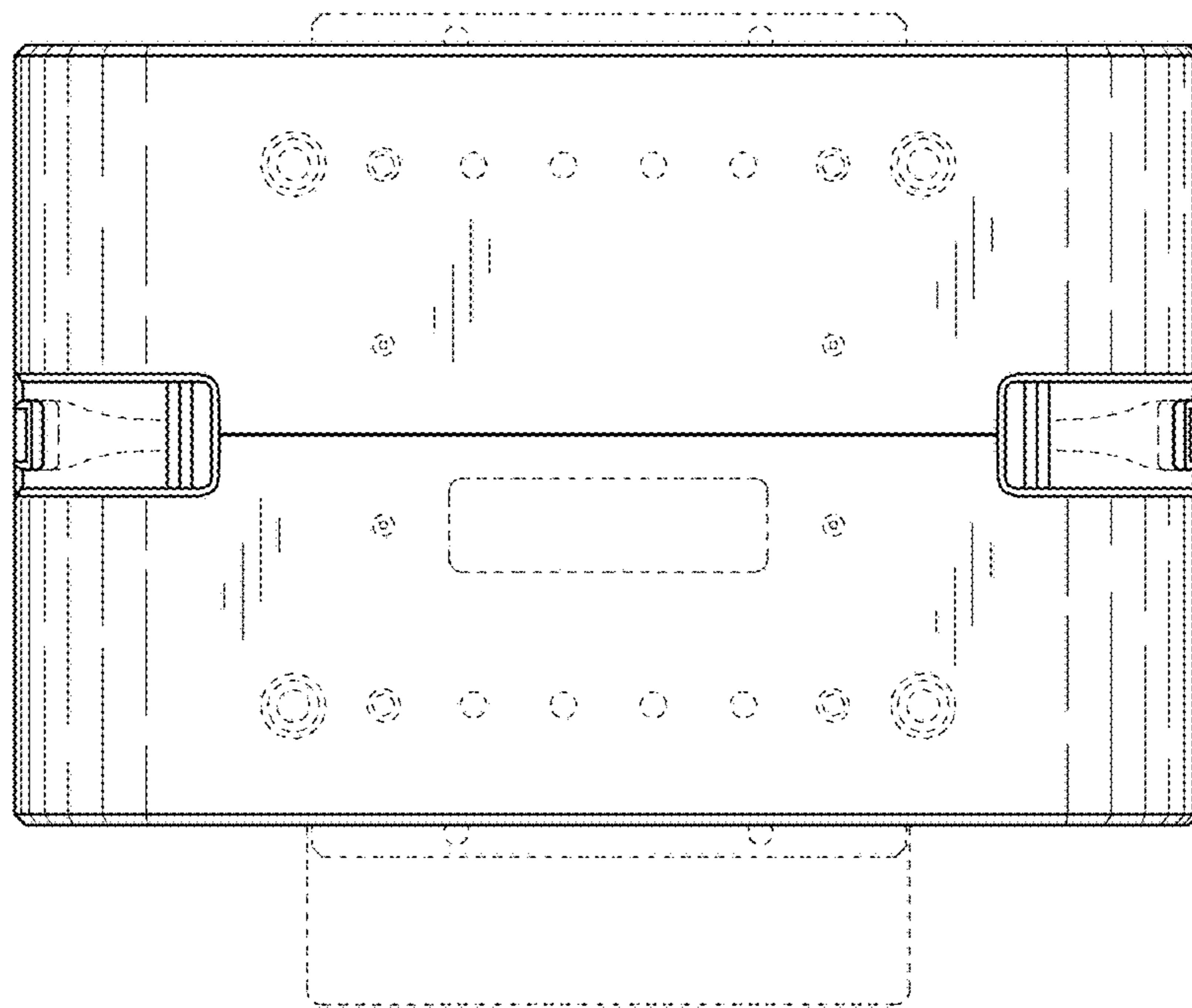


FIG. 7

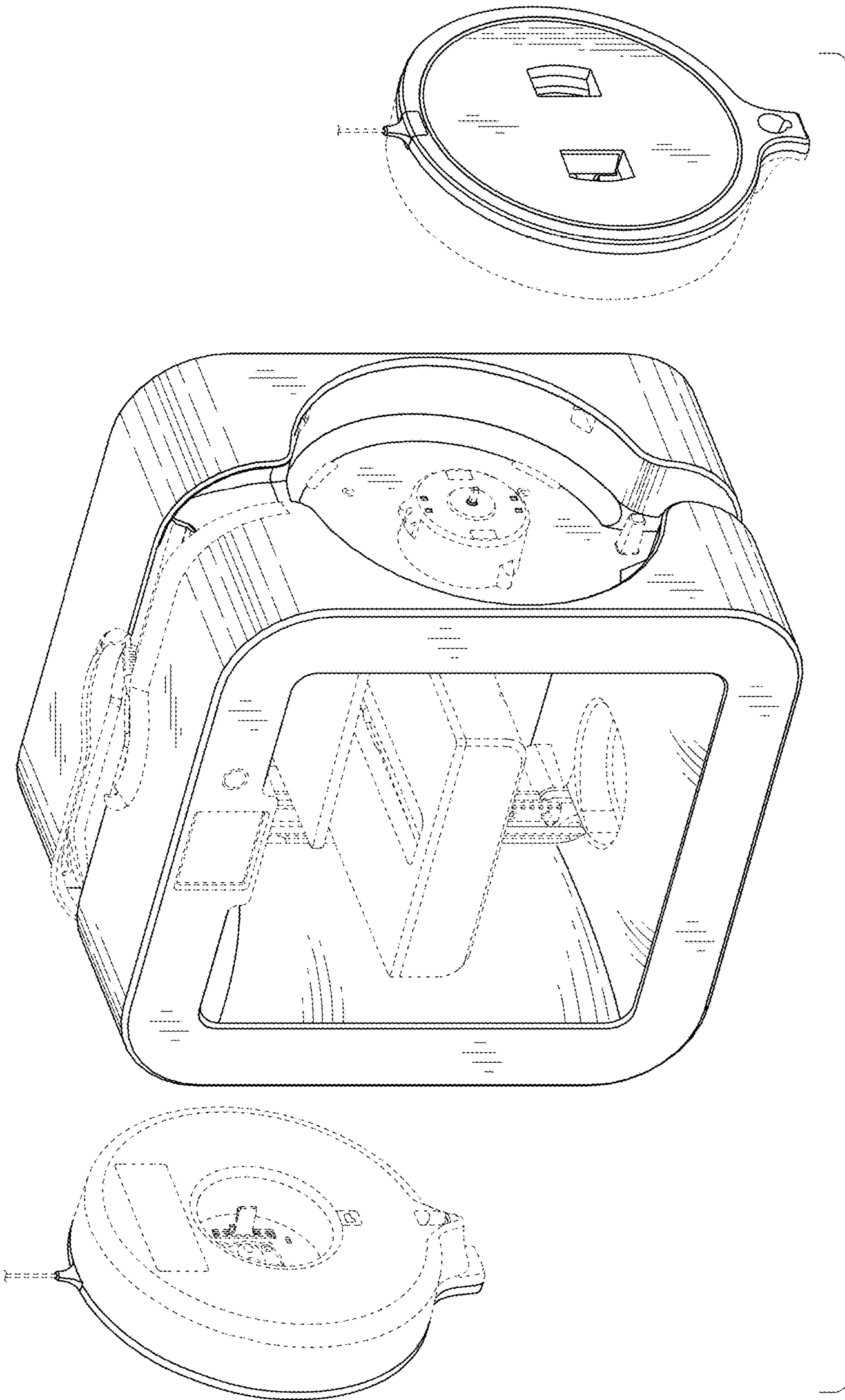


FIG. 8

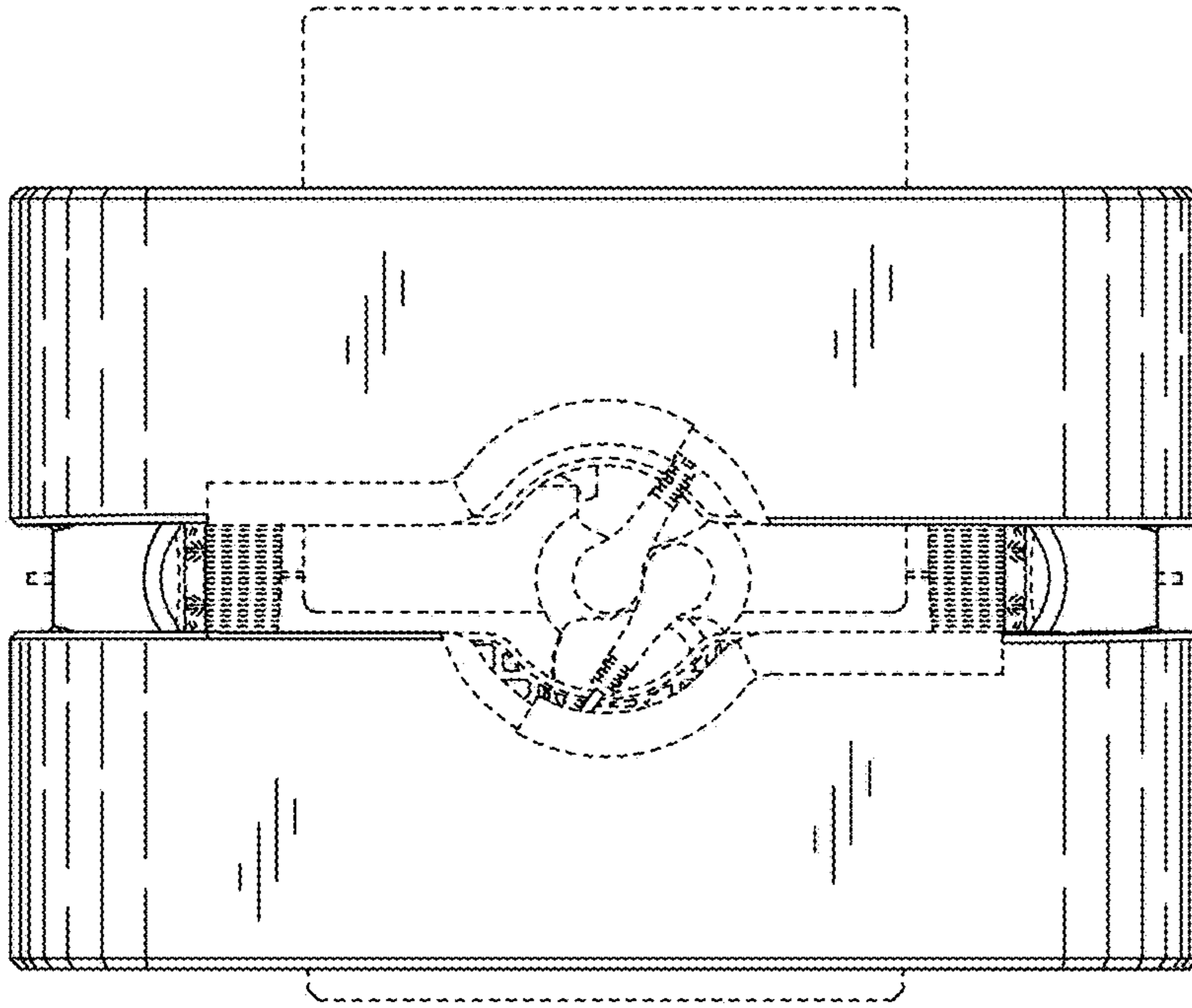


FIG. 9

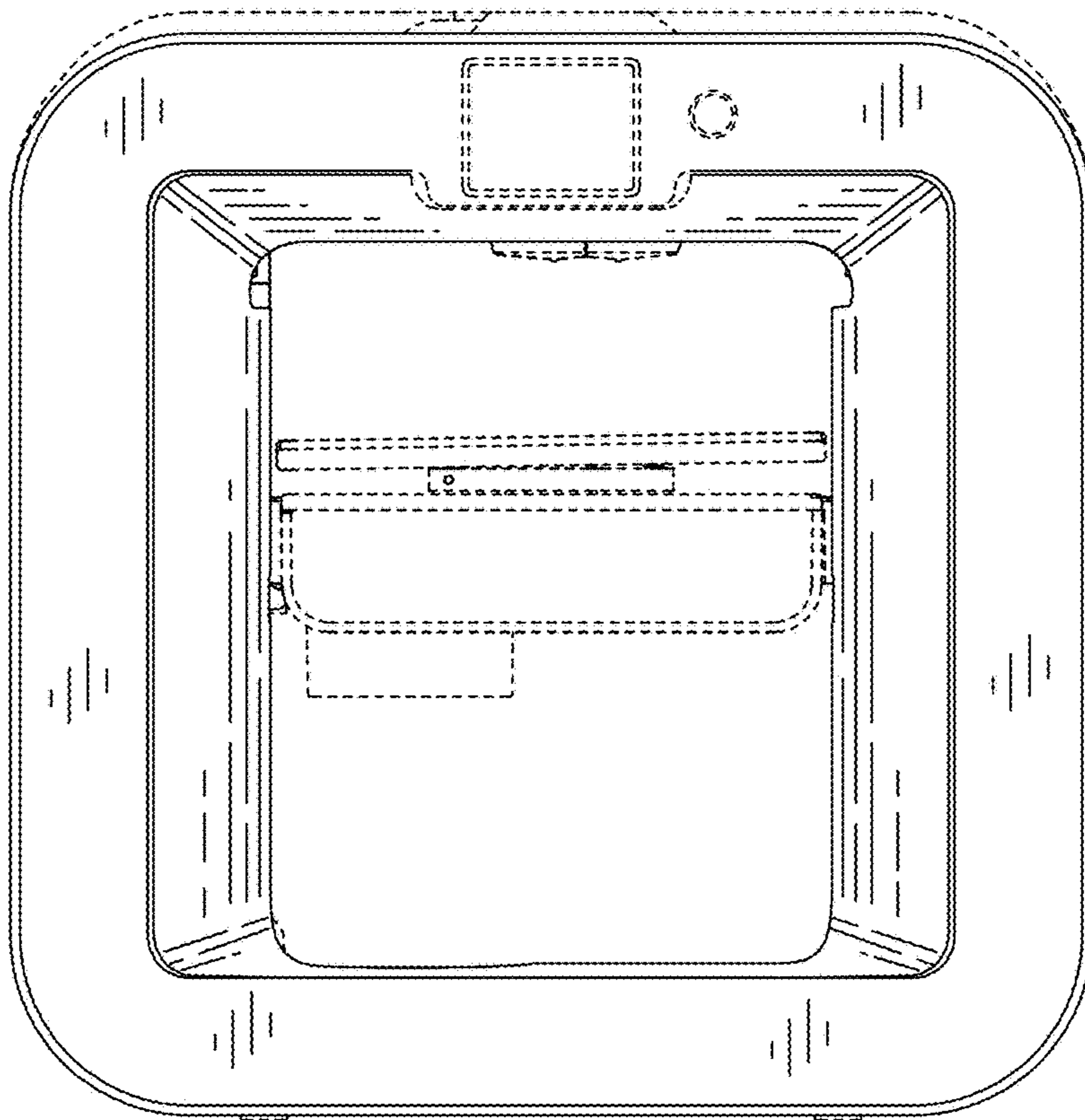


FIG. 10

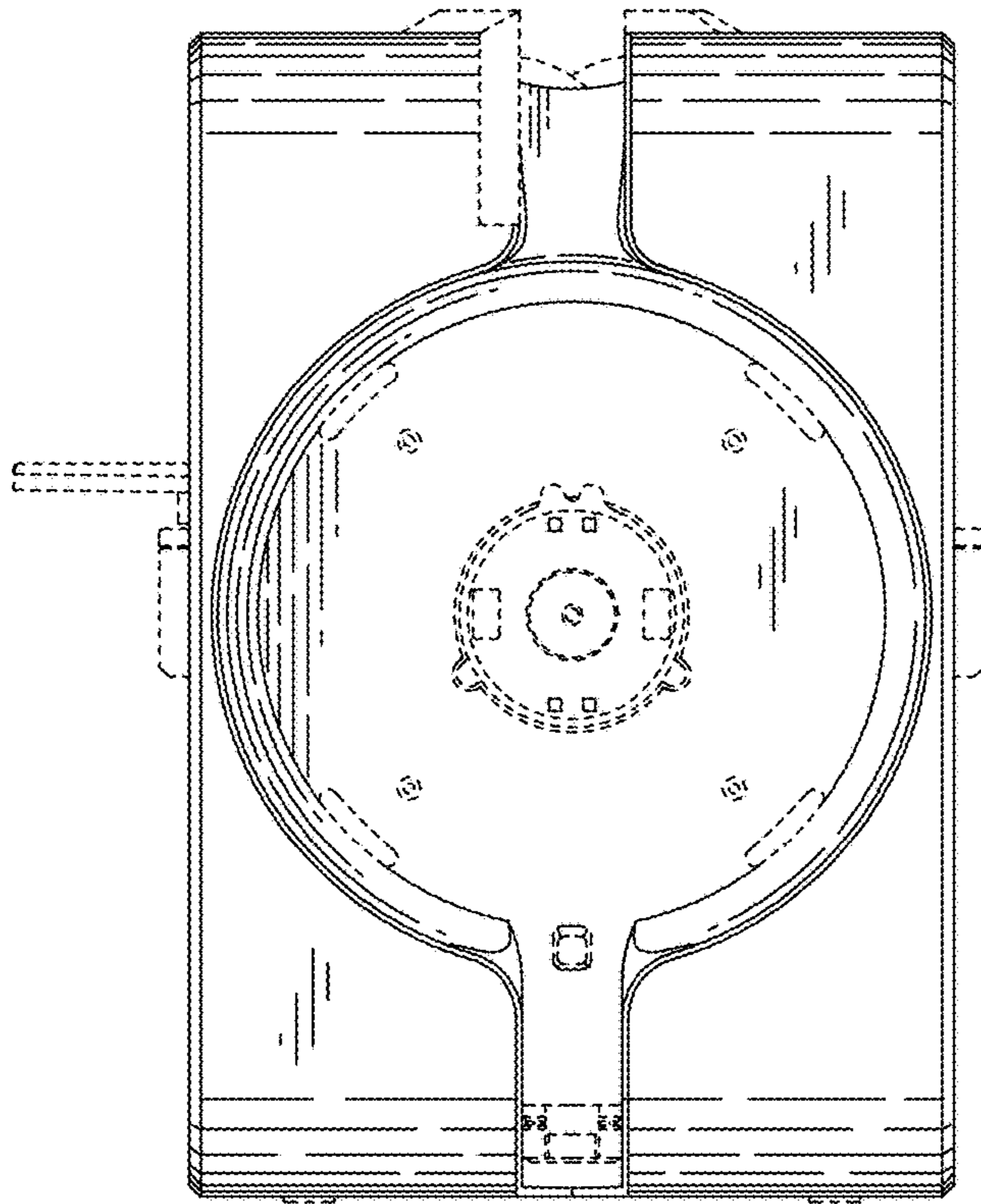


FIG. 11

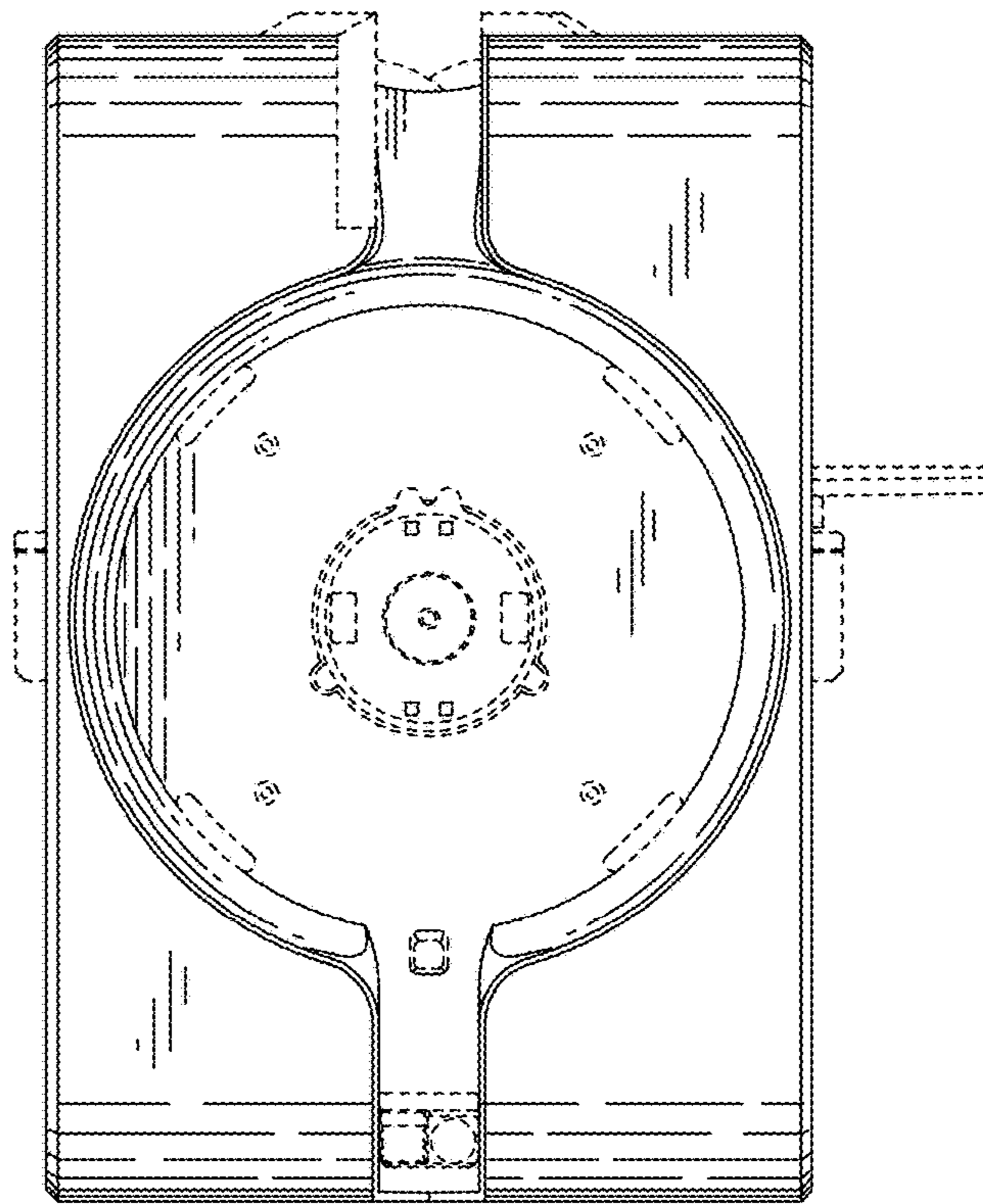


FIG. 12

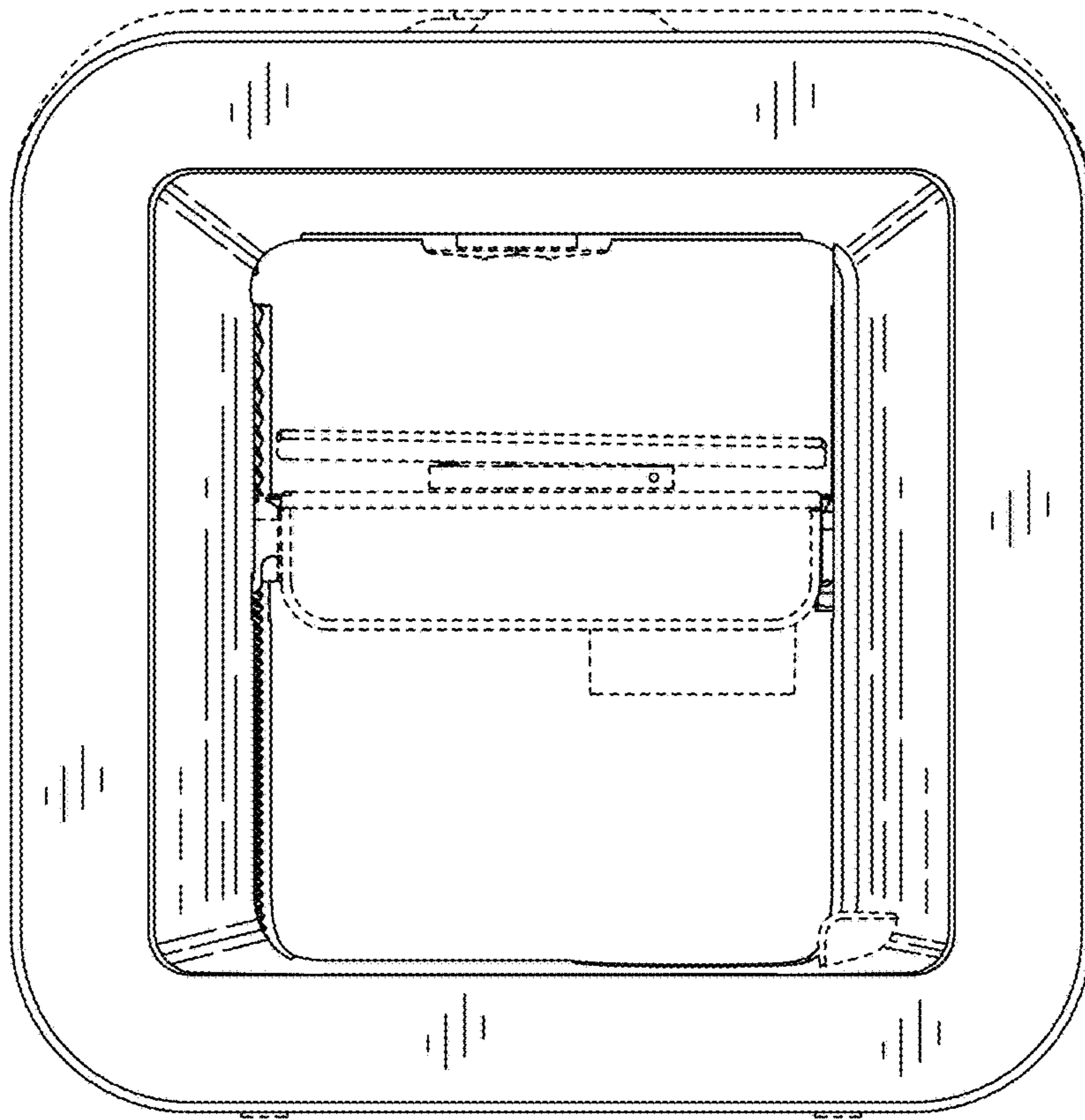


FIG. 13

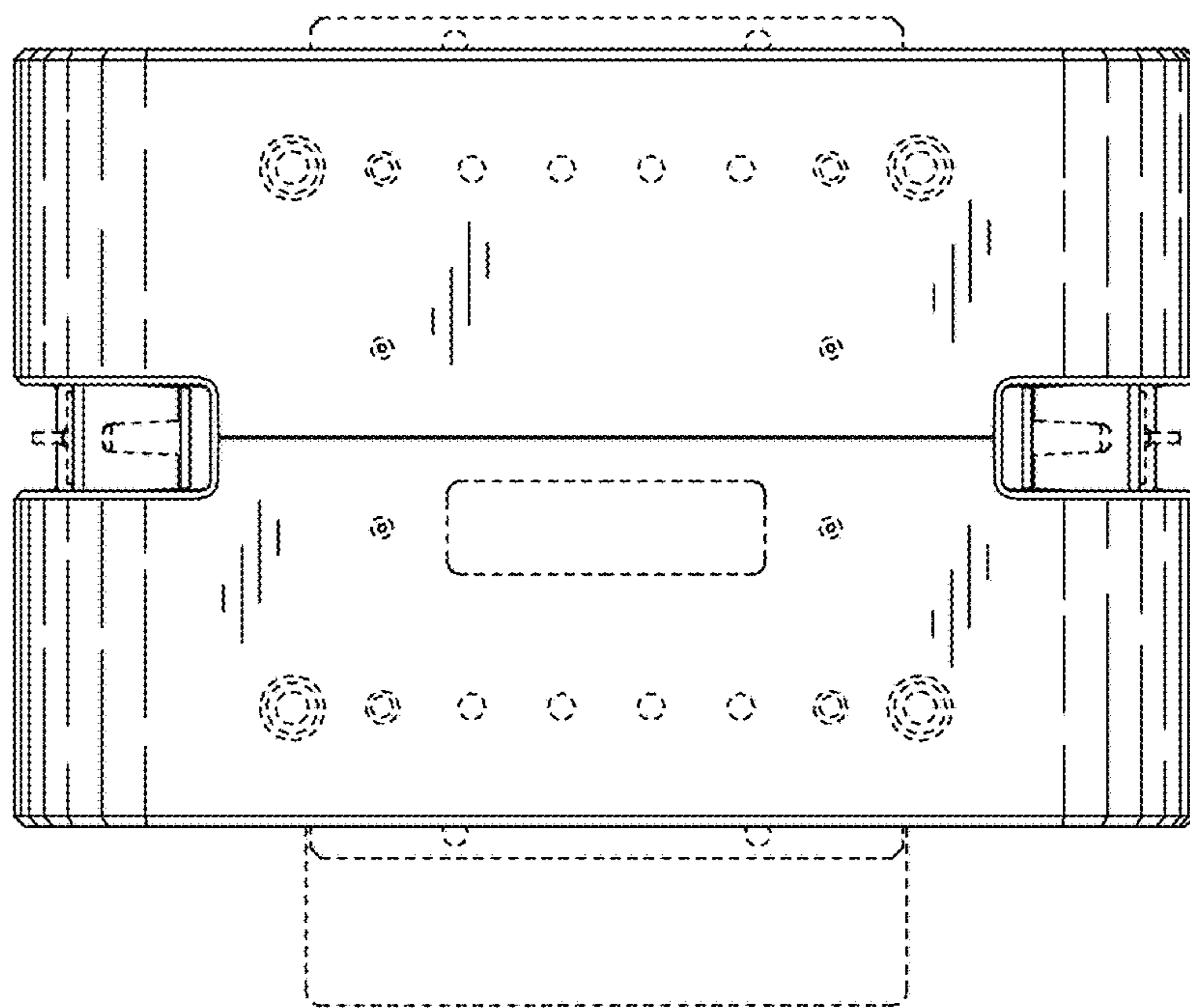


FIG. 14