



US00D776172S

(12) **United States Design Patent**  
**Jensen et al.**

(10) **Patent No.: US D776,172 S**  
(45) **Date of Patent: \*\* Jan. 10, 2017**

(54) **ELECTRONIC REFRIGERATION CONTROLLER**

(71) Applicant: **Danfoss A/S**, Nordborg (DK)

(72) Inventors: **Erik Raun Jensen**, Nordborg (DK);  
**Nina Wetcke**, Soenderborg (DK);  
**Senthil Kumar Palani**, Chennai (IN);  
**Balasubramanian Shanmugakani**,  
Chennai (IN)

(73) Assignee: **Danfoss A/S**, Nordborg (DK)

(\*\*) Term: **14 Years**

(21) Appl. No.: **29/525,065**

(22) Filed: **Apr. 27, 2015**

(30) **Foreign Application Priority Data**

Oct. 29, 2014 (EM) ..... 002566703

(51) **LOC (10) Cl.** ..... **15-07**

(52) **U.S. Cl.**  
USPC ..... **D15/89**

(58) **Field of Classification Search**

USPC ..... D15/79-91  
CPC ..... F25D 23/028; F25D 23/02; F25D 25/025;  
F25D 23/00; F25D 2323/021; F25D  
11/00; F25D 2323/024; F25D  
23/04; F25D 29/00; F25D 25/02; F25D  
25/024; F25D 27/005; F25D 23/12; F25D  
29/005; F25D 17/042; F25D 2325/021

See application file for complete search history.

(56) **References Cited**

U.S. PATENT DOCUMENTS

D395,053 S \* 6/1998 Aske ..... D15/89  
D741,382 S \* 10/2015 Ogg ..... D15/89  
D757,827 S \* 5/2016 Jensen ..... D15/89

\* cited by examiner

*Primary Examiner* — Daniel Bui

*Assistant Examiner* — Khawaja Anwar

(74) *Attorney, Agent, or Firm* — McCormick, Paulding &  
Huber LLP

(57) **CLAIM**

The ornamental design for electronic refrigeration controller, substantially as shown.

**DESCRIPTION**

FIG. 1 is a front, top, right-hand side perspective view of an electronic refrigeration controller comprising a new, original and ornamental design;

FIG. 2 is a front view thereof;

FIG. 3 is a left-hand side view thereof;

FIG. 4 is a right-hand side view thereof;

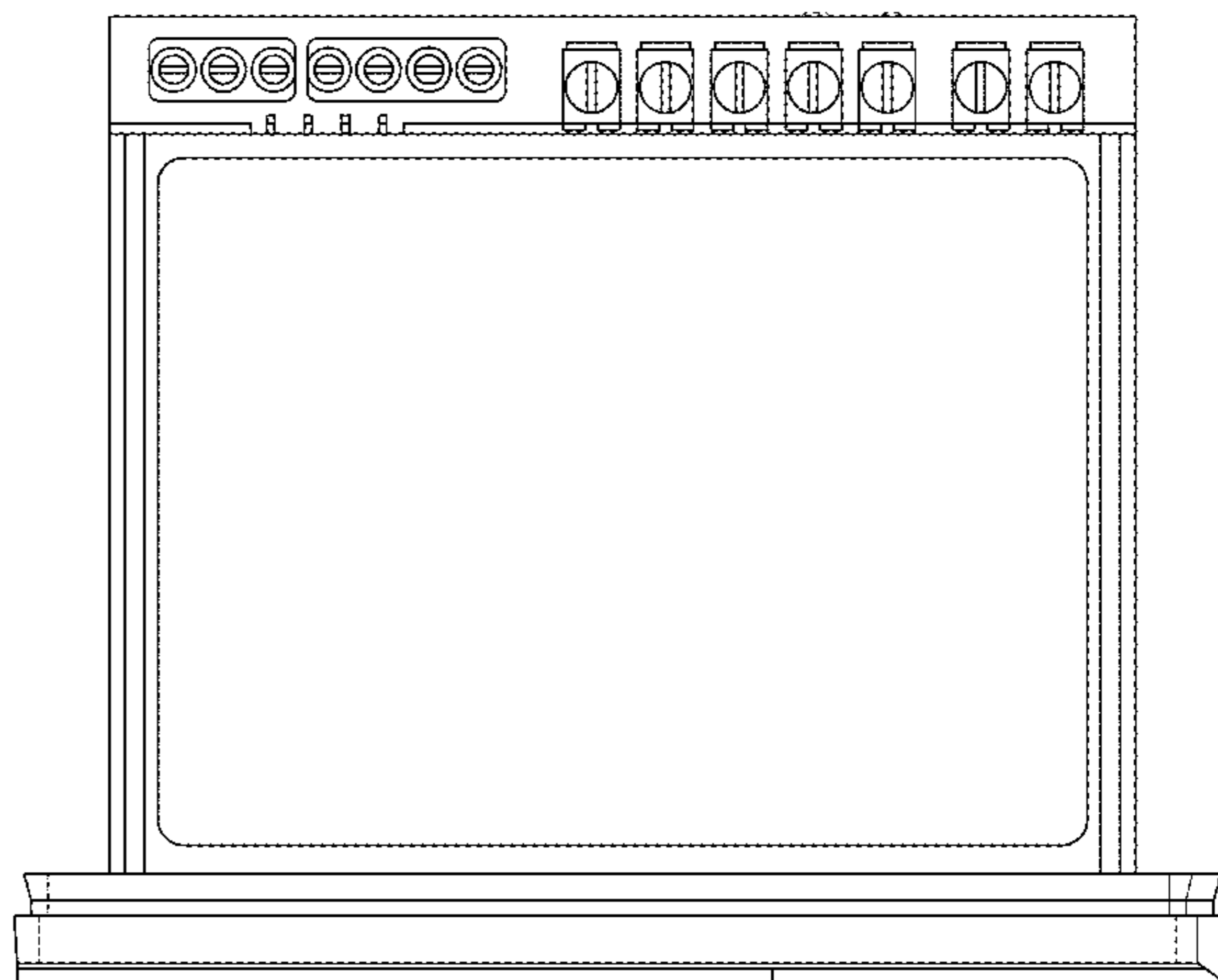
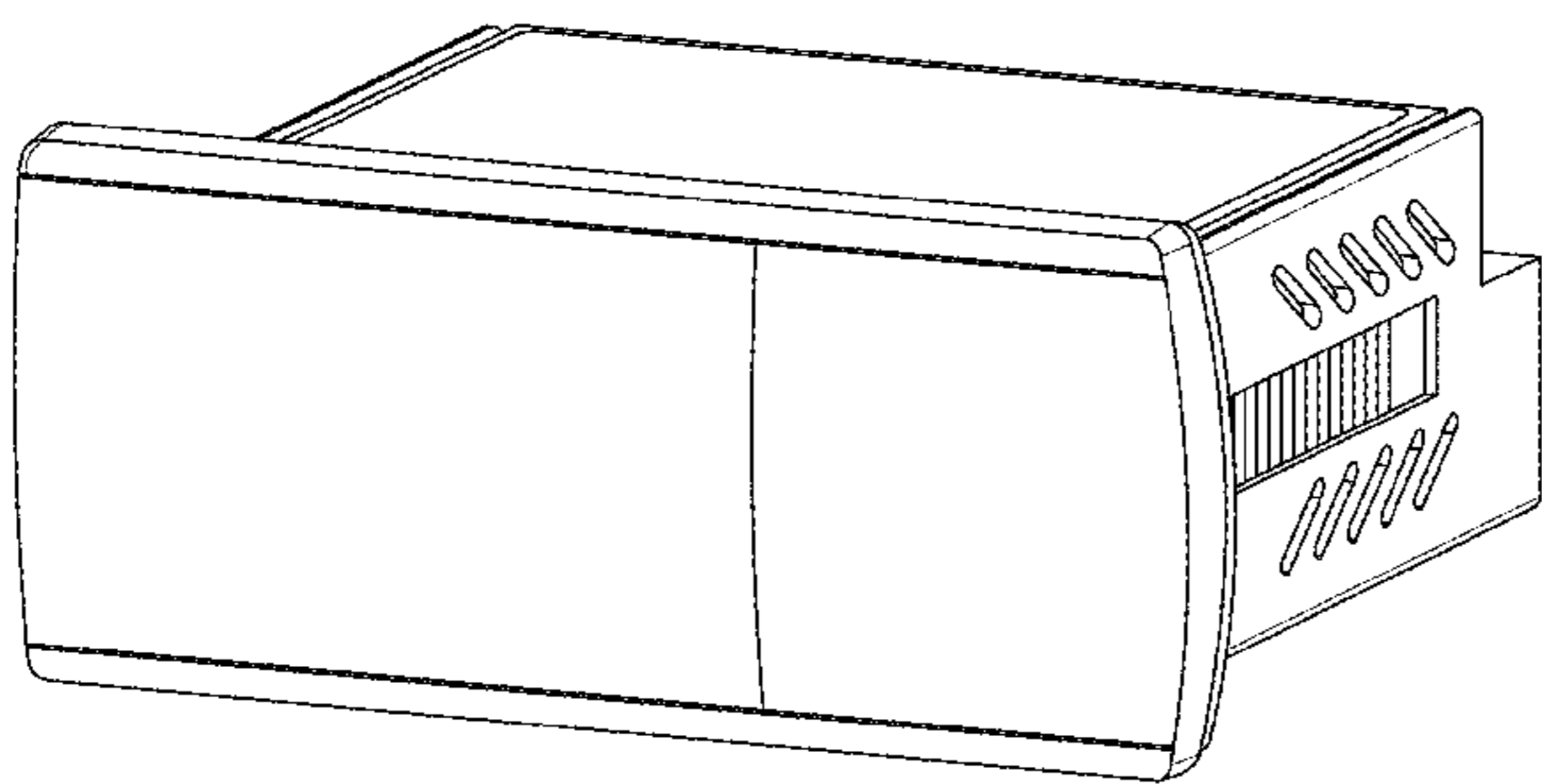
FIG. 5 is a back view thereof;

FIG. 6 is a top view thereof; and,

FIG. 7 is a bottom view thereof.

The broken lines are included for the purpose of illustrating portions of the electronic refrigeration controller that form no part of the claimed design.

**1 Claim, 7 Drawing Sheets**



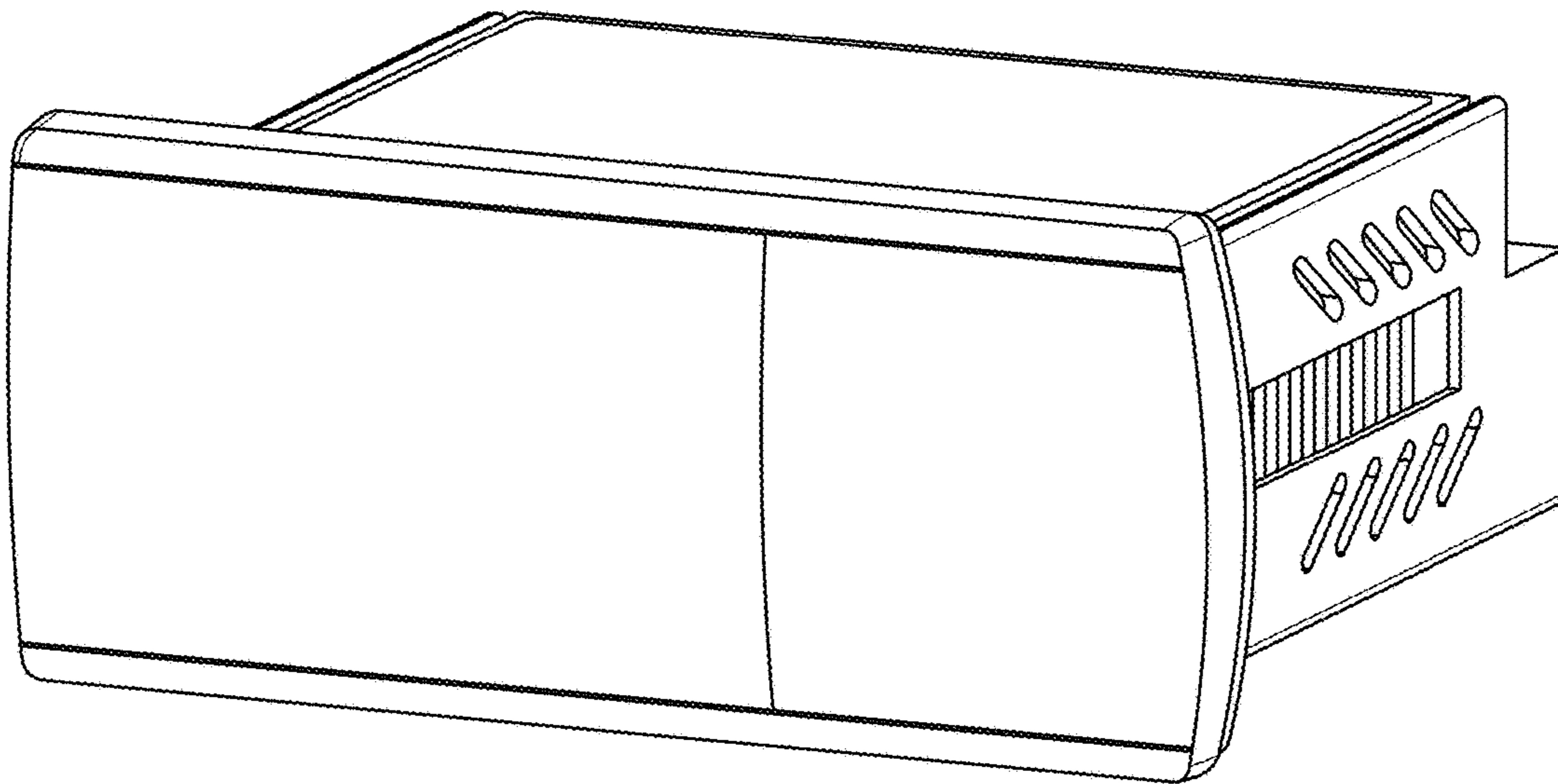


FIG. 1

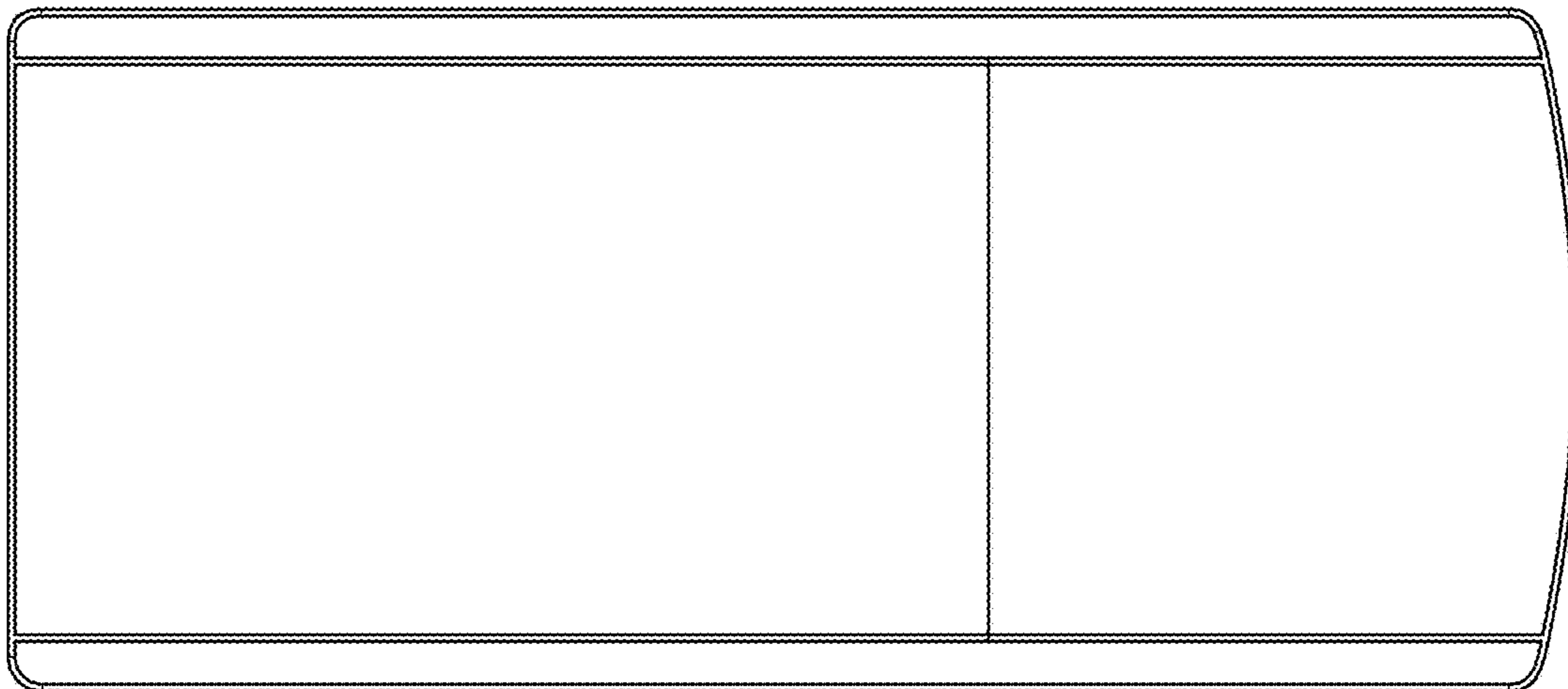


FIG. 2

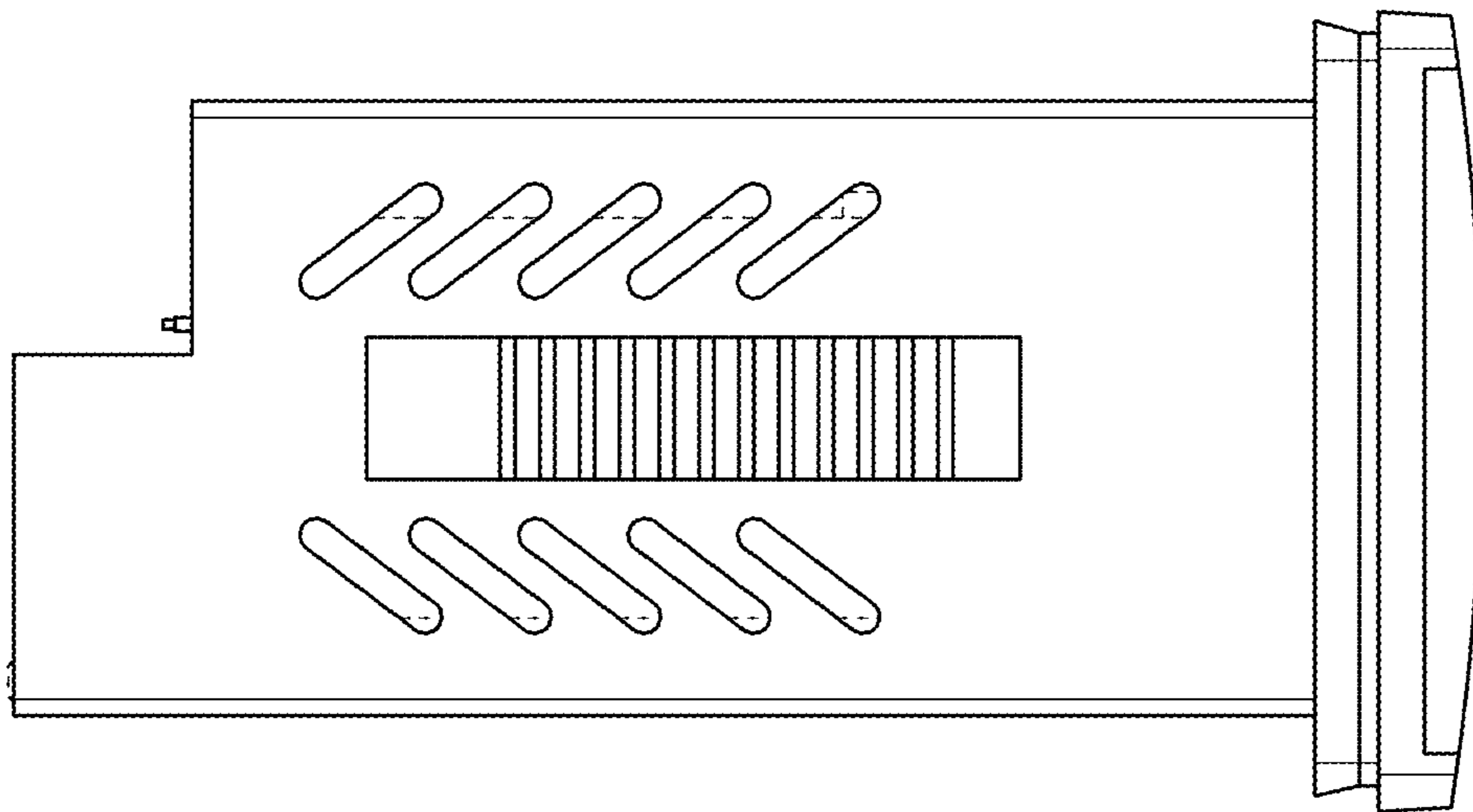


FIG. 3

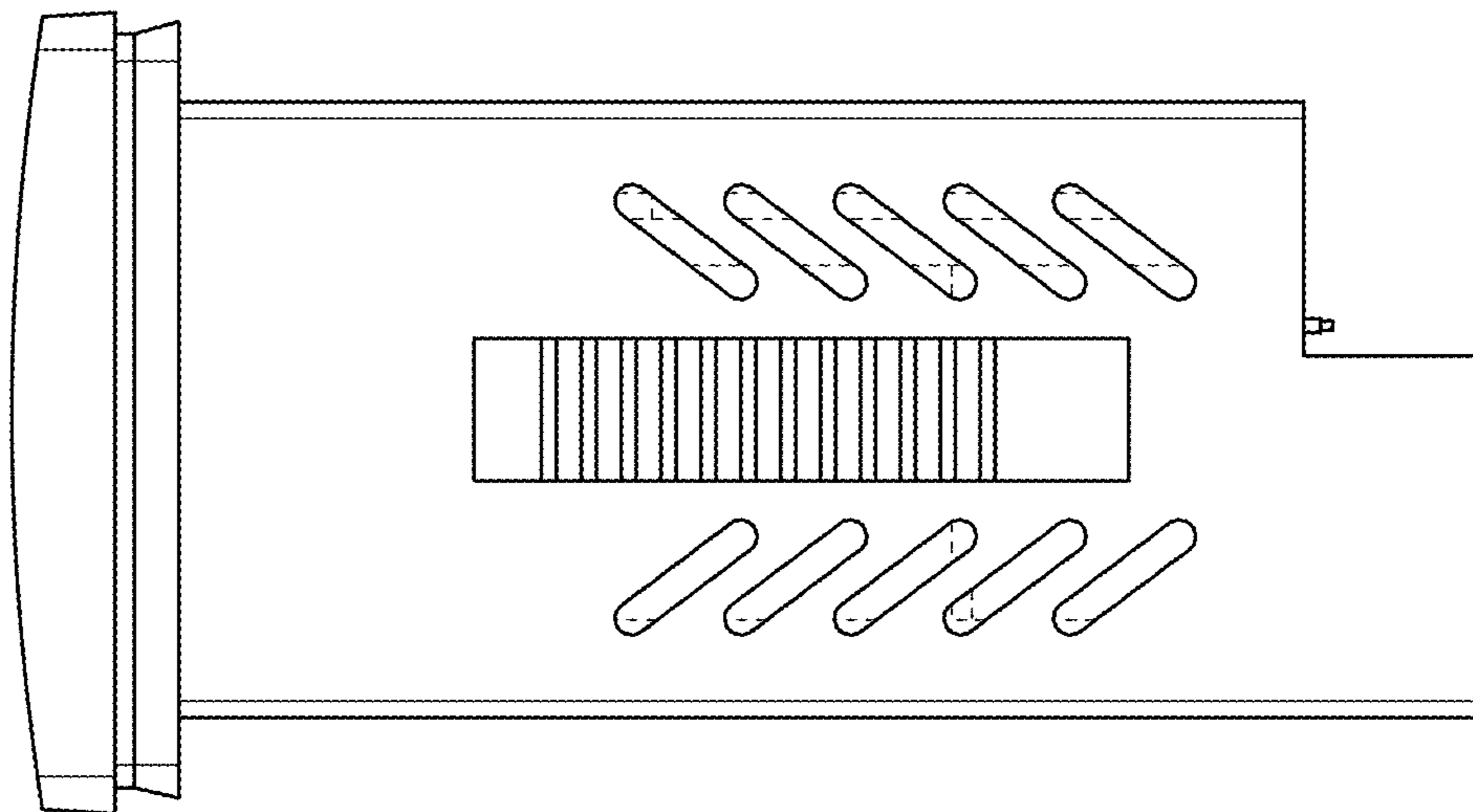


FIG. 4

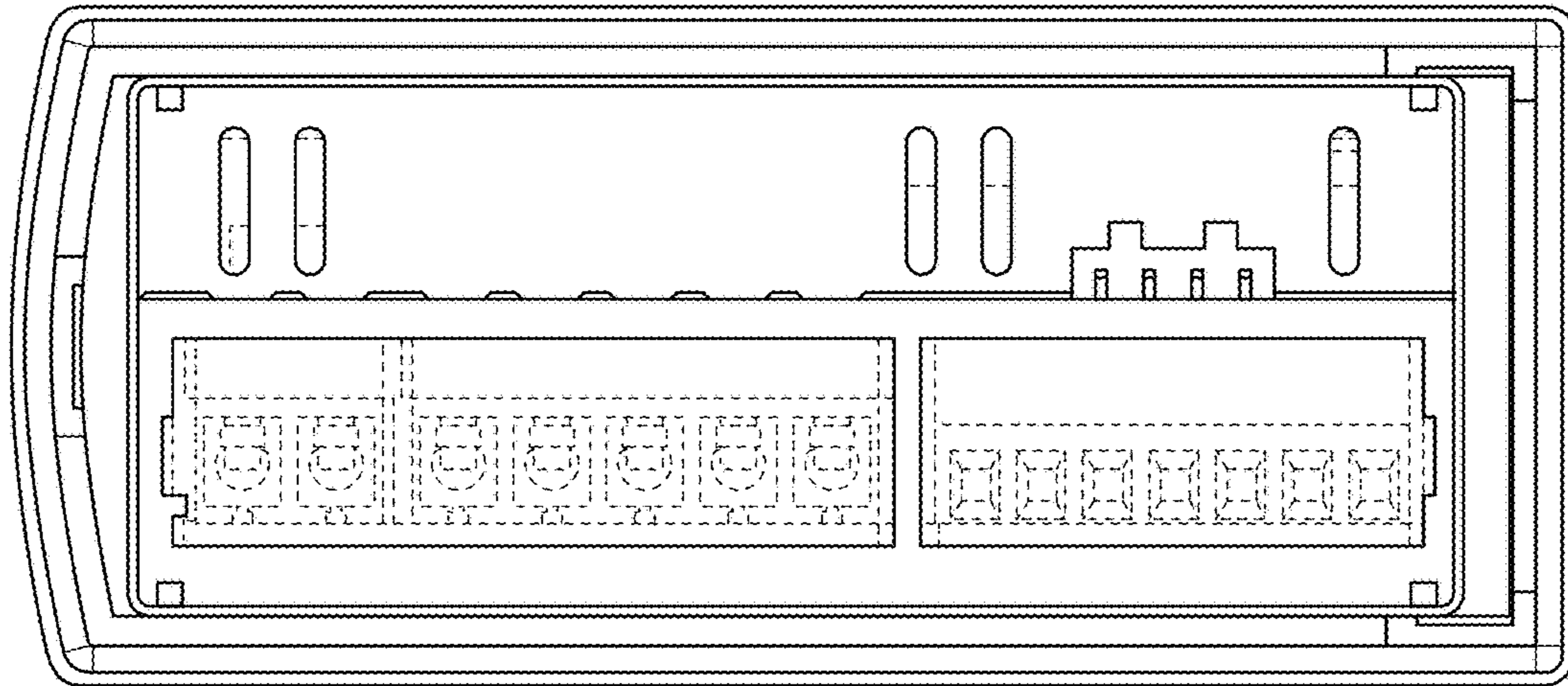


FIG. 5

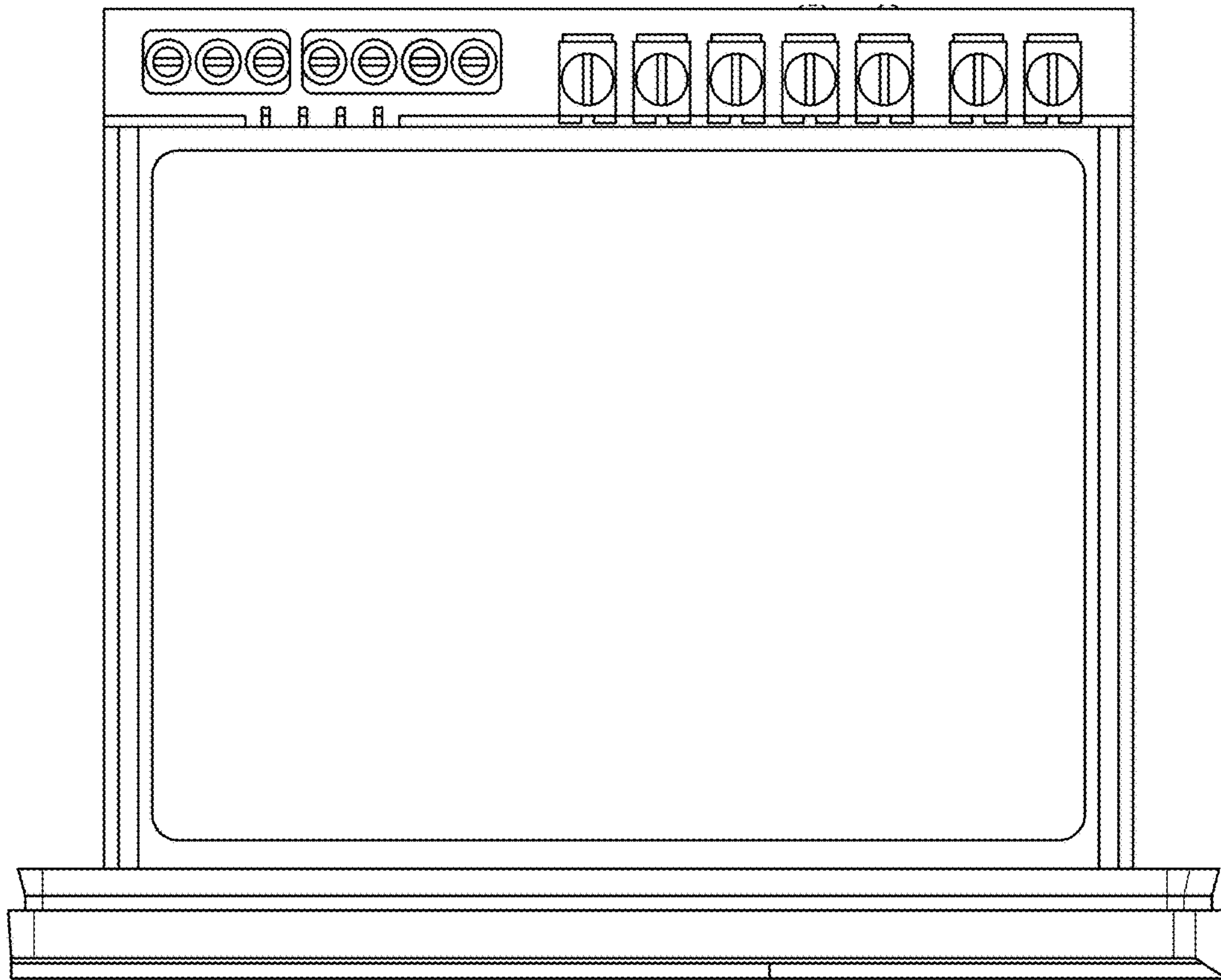


FIG. 6

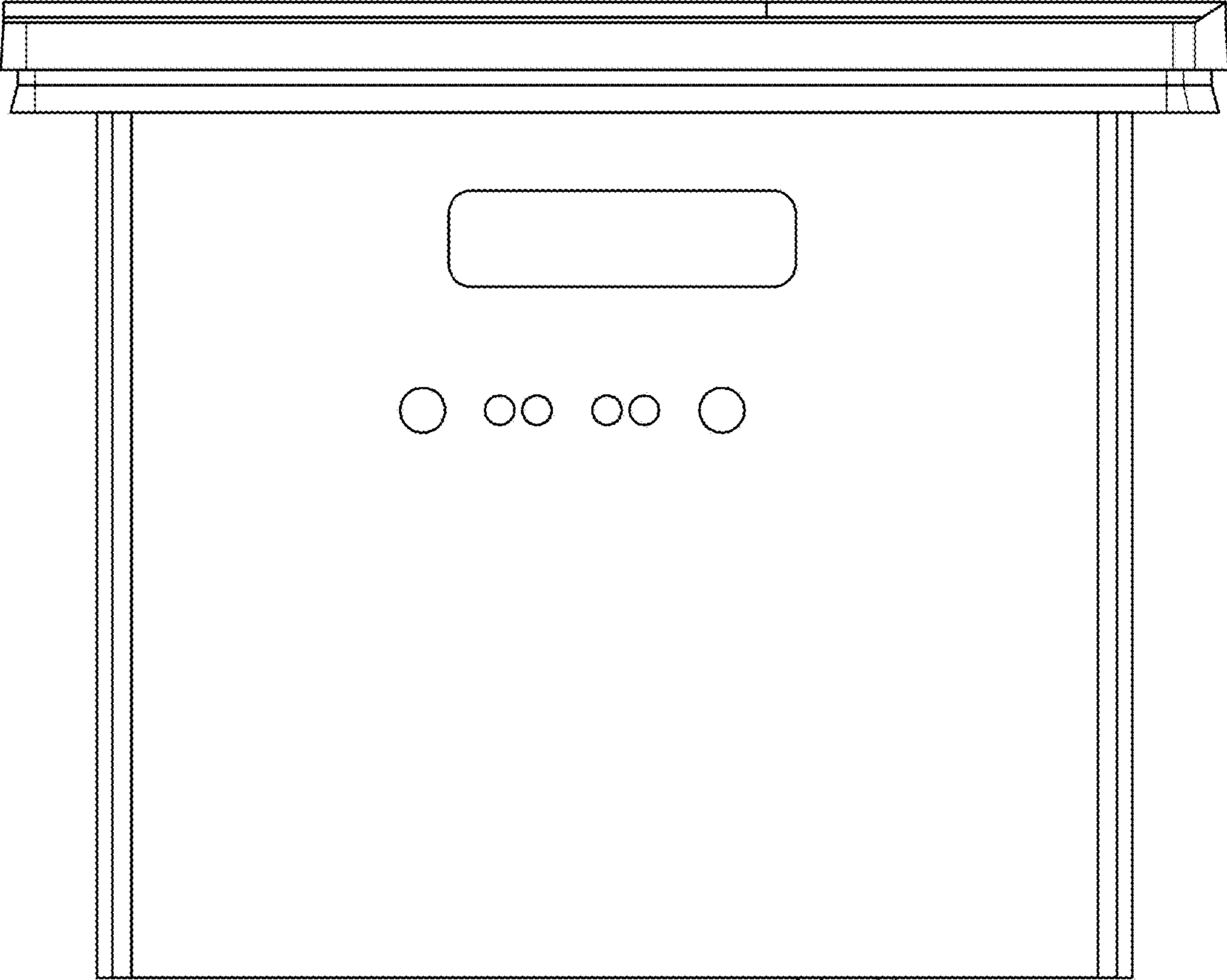


FIG. 7