



US00D776170S

(12) **United States Design Patent**
Saito et al.

(10) **Patent No.:** **US D776,170 S**
(45) **Date of Patent:** **** Jan. 10, 2017**

(54) **VIBRATING ROLLER**

(71) Applicant: **MIKASA SANGYO CO., LTD.**,
Chiyoda-ku, Tokyo (JP)

(72) Inventors: **Hideo Saito**, Saitama (JP); **Masahiro Ikeda**, Koshigaya (JP)

(73) Assignee: **MIKASA SANGYO CO., LTD.**, Tokyo (JP)

(**) Term: **15 Years**

(21) Appl. No.: **29/545,438**

(22) Filed: **Nov. 12, 2015**

(30) **Foreign Application Priority Data**

May 18, 2015 (JP) 2015-010800

(51) **LOC (10) Cl.** **12-09**

(52) **U.S. Cl.**
USPC **D15/20**

(58) **Field of Classification Search**

USPC D15/10-33
CPC E01C 19/402; E01C 19/286; E01C 19/006;
E01C 19/288; E01C 19/405; E01C 19/38;
E01C 19/40; E01C 19/41; E01C
19/44; E01C 19/24; E01C 19/407; E01C
19/236; E01C 19/28; E01C 19/15; E01C
19/187; E01C 19/23; E01C 19/26; E01C
19/35; E01C 19/36; E01C 19/283; E01C
19/48; E01C 23/06; E01C 19/004; E01C
19/238; E01C 19/34; E01C 23/065; E01C
11/24; E01C 19/00

See application file for complete search history.

(56) **References Cited**

U.S. PATENT DOCUMENTS

2,688,224	A *	9/1954	Hainke	A01D 34/6806
				180/19.1
3,814,531	A *	6/1974	Carnahan	E01C 19/283
				180/420
D517,094	S *	3/2006	Stein	D15/20
D615,997	S *	5/2010	Loew	D15/20
D631,896	S *	2/2011	Spies	D15/20
D633,531	S *	3/2011	von Richthofen	D15/20
D760,301	S *	6/2016	Alberti	D15/20
2008/0003058	A1 *	1/2008	Persson	E01C 19/238
				404/133.1
2009/0035065	A1 *	2/2009	Gavins	E02D 3/074
				404/114

* cited by examiner

Primary Examiner — Ian Simmons

Assistant Examiner — Khawaja Anwar

(74) *Attorney, Agent, or Firm* — Holtz, Holtz & Volek PC

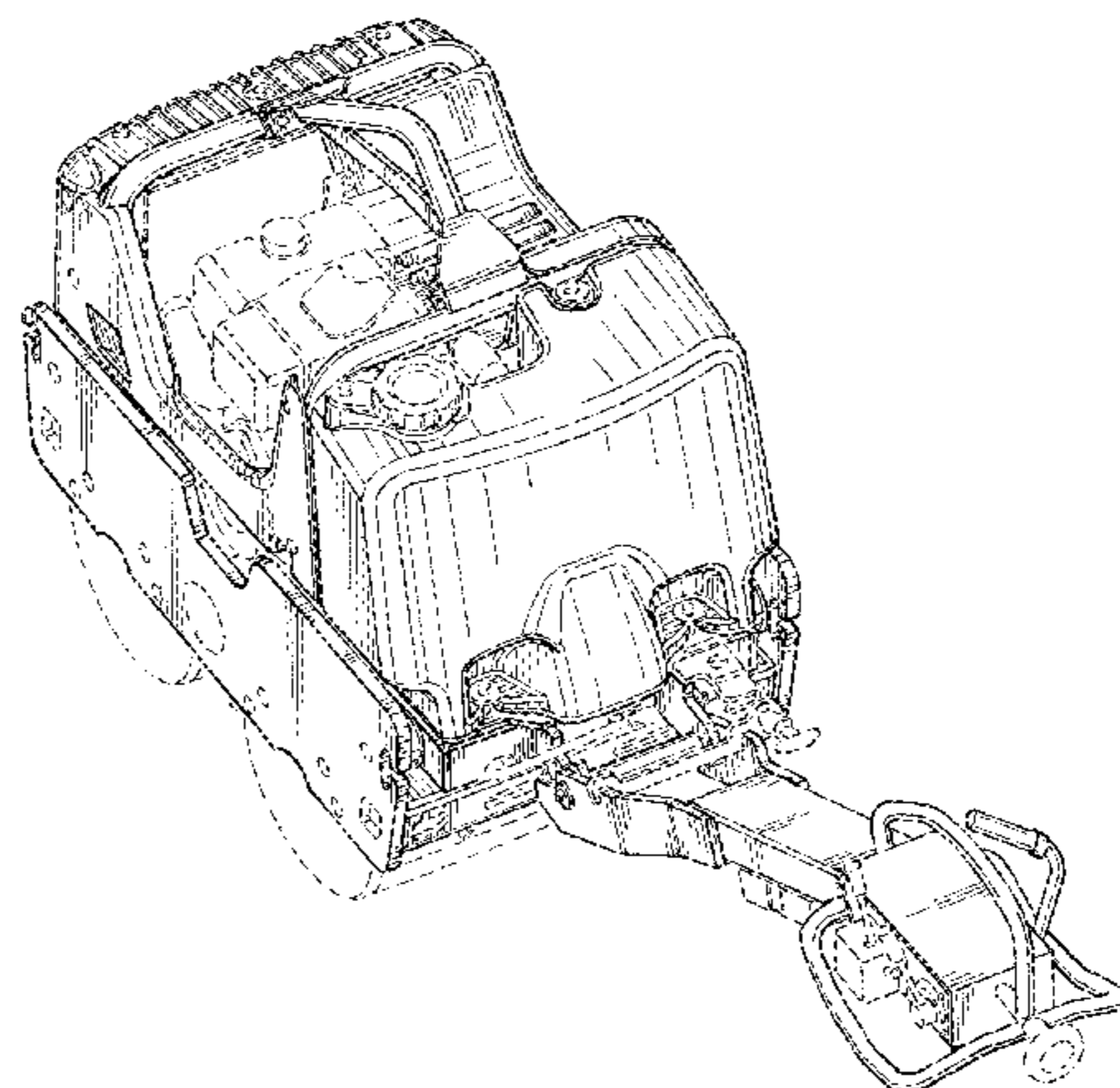
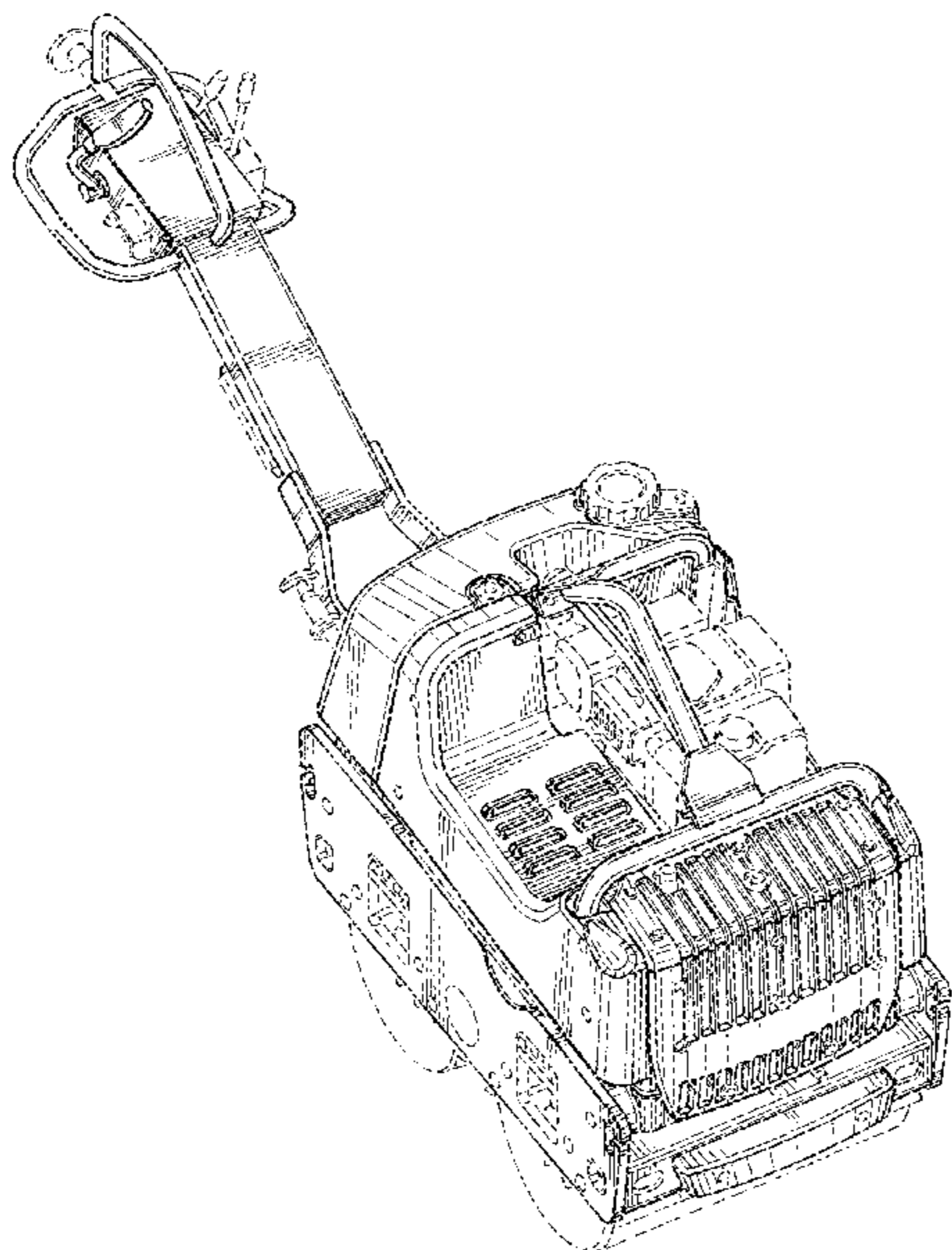
(57) **CLAIM**

The ornamental design for a vibrating roller, as shown and described.

DESCRIPTION

FIG. 1 is a top, front, left side perspective view of a vibrating roller showing our new design;
FIG. 2 is a top, rear, right side perspective view thereof;
FIG. 3 is a front elevational view thereof;
FIG. 4 is a rear elevational view thereof;
FIG. 5 is a left side elevational view thereof;
FIG. 6 is a right side elevational view thereof;
FIG. 7 is a top plan view thereof; and,
FIG. 8 is a bottom plan view thereof.
The broken lines shown in the drawings represent unclaimed environment only and form no part of the claimed design.

1 Claim, 8 Drawing Sheets



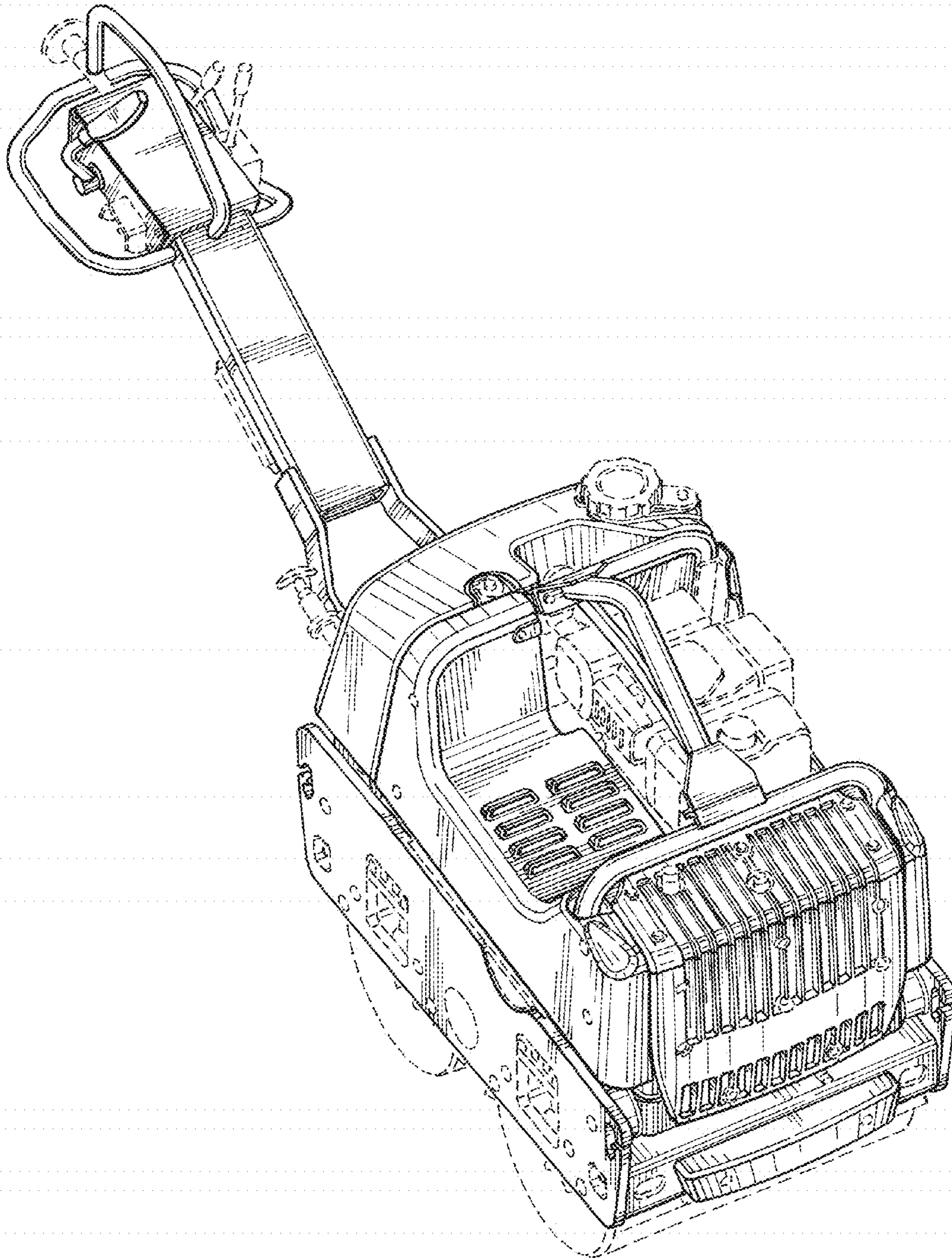


Fig. 1

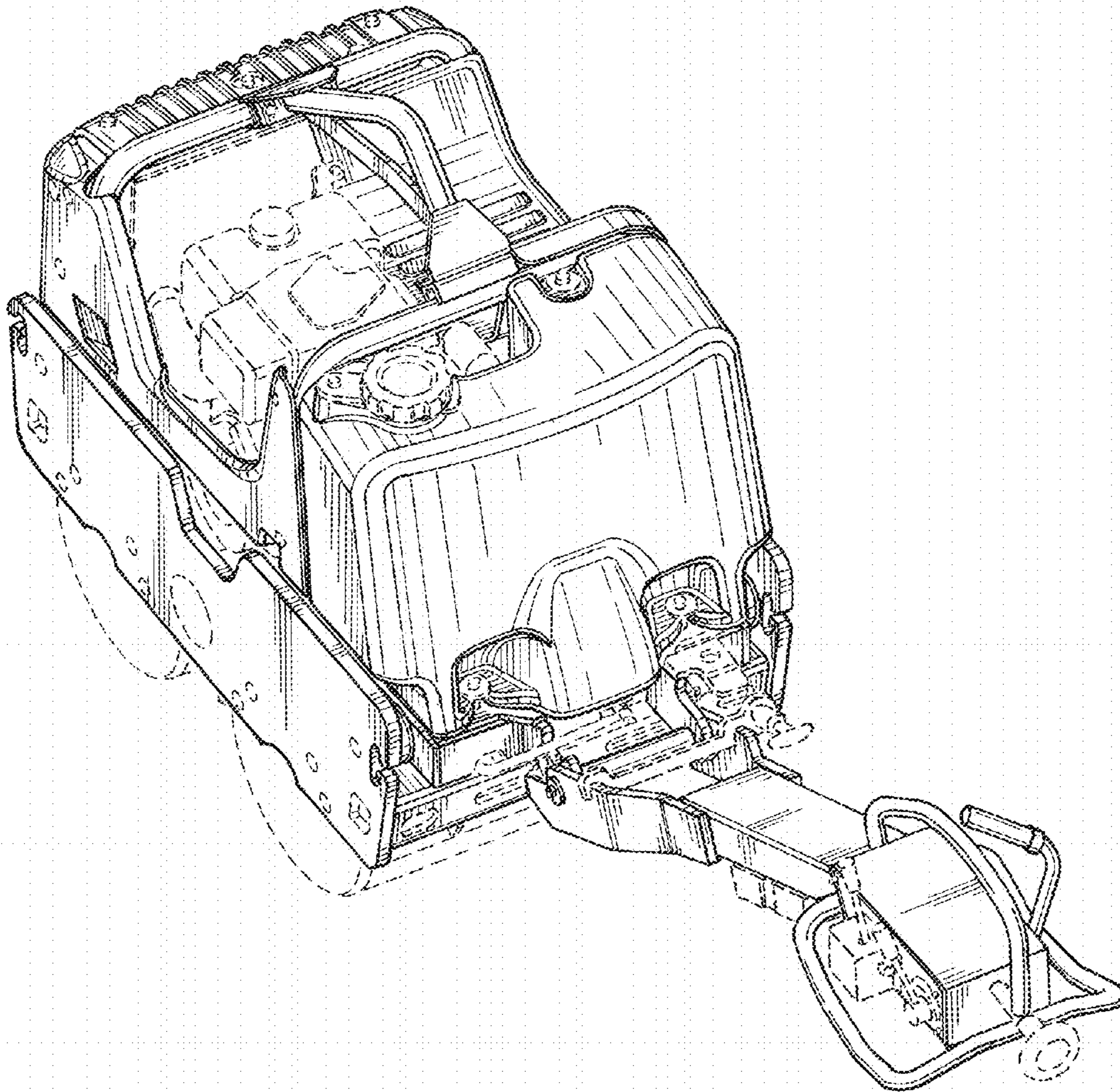


Fig. 2

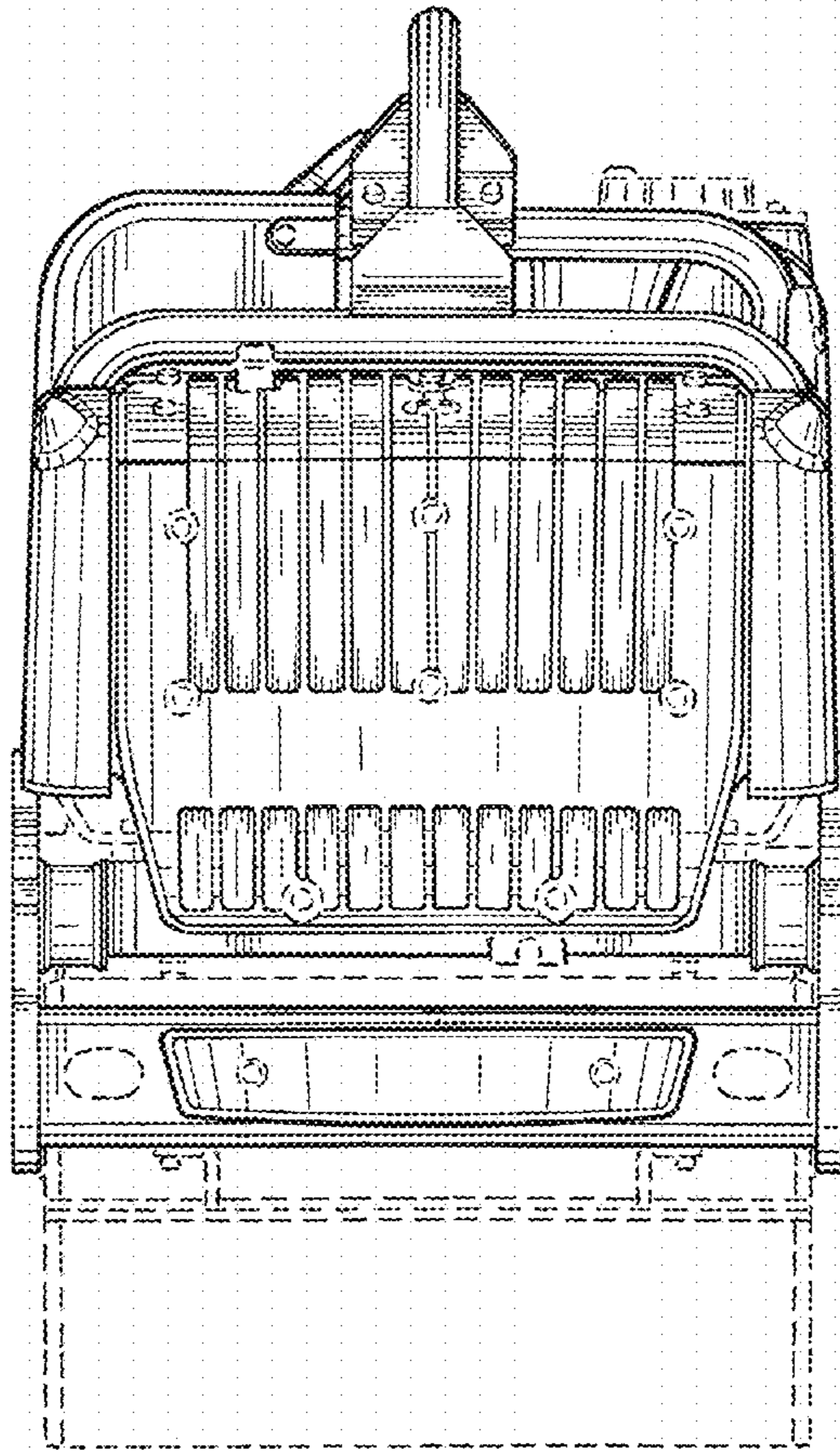


Fig. 3

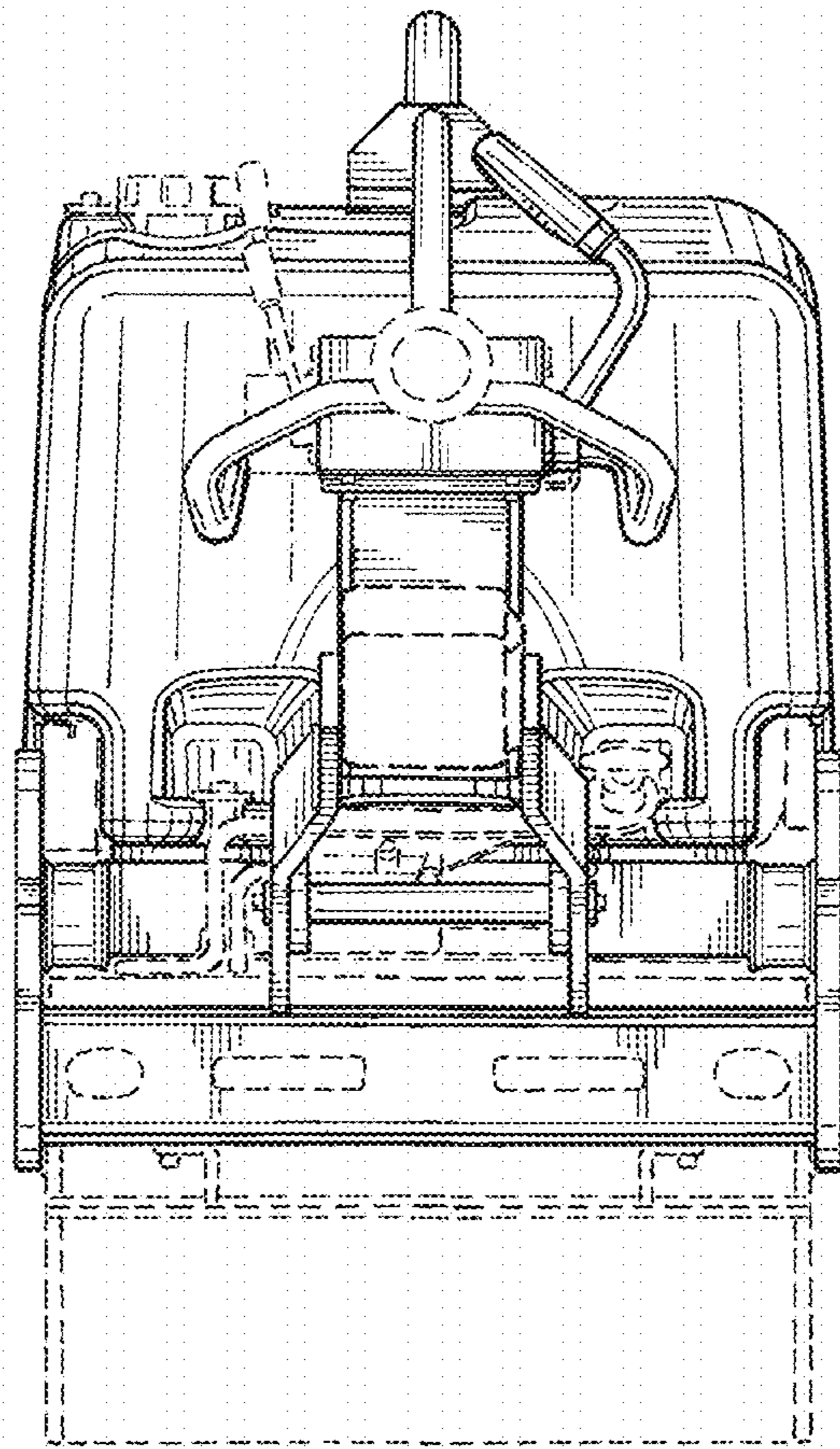


Fig. 4

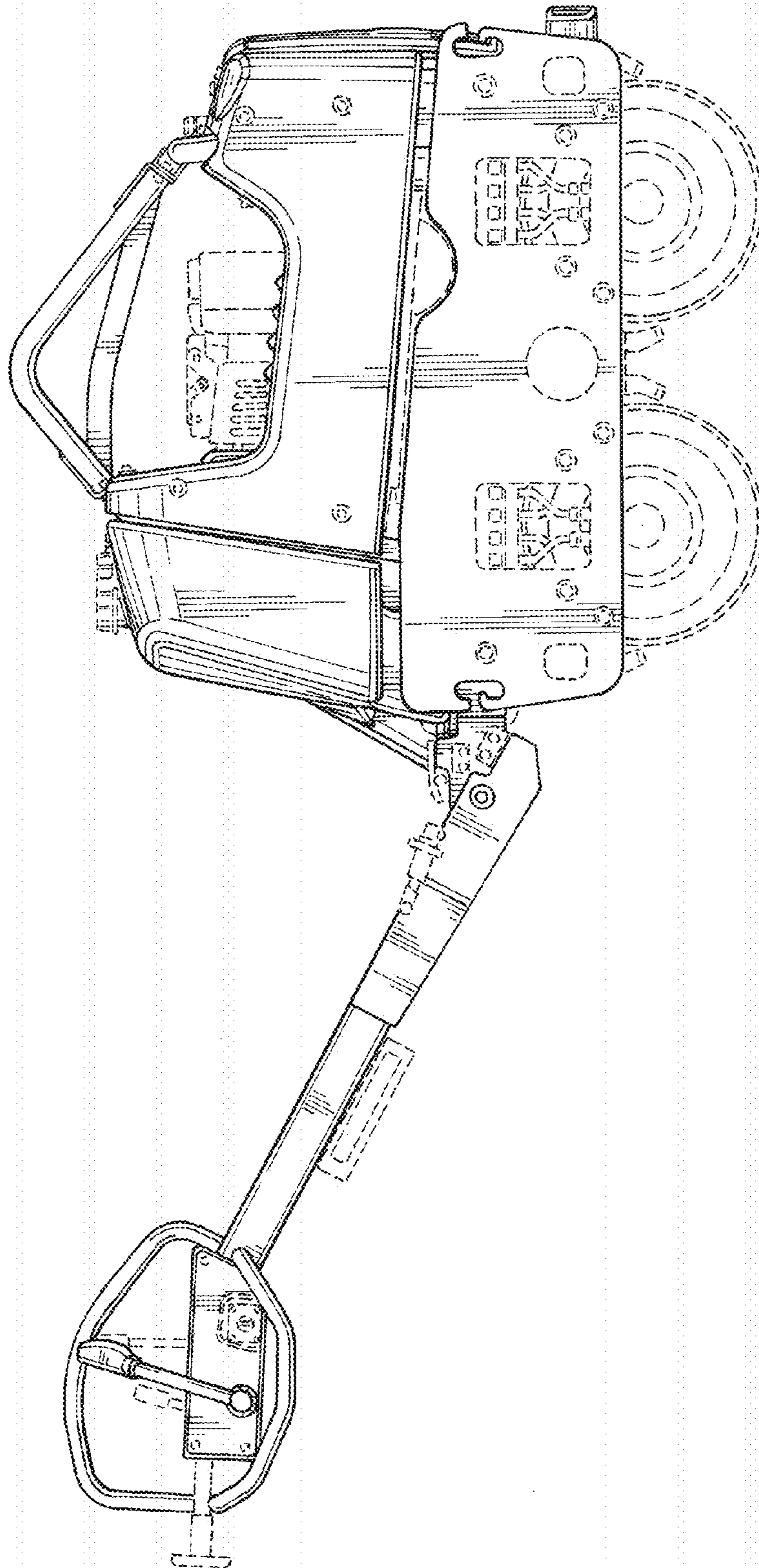


Fig. 5

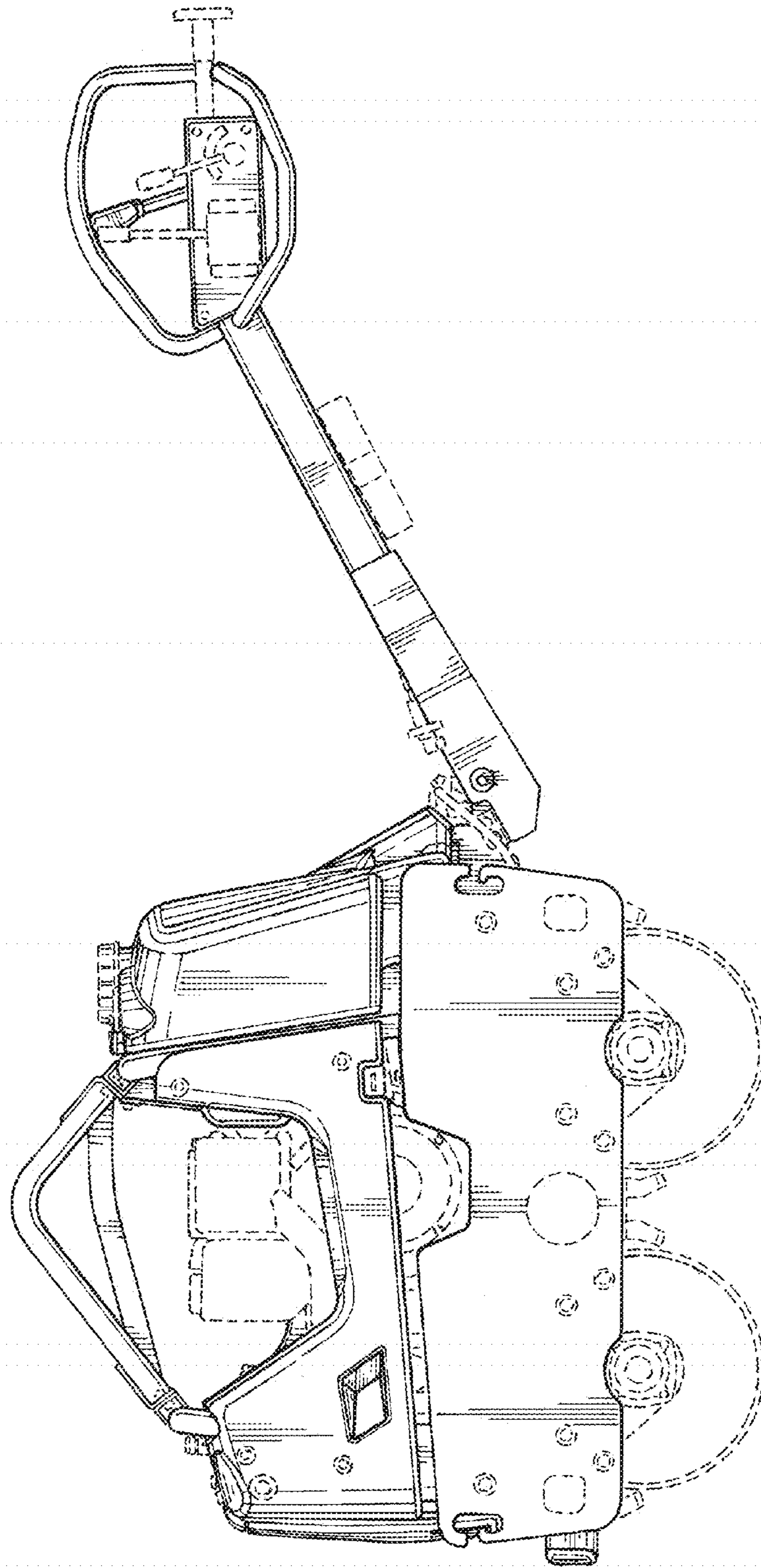


Fig. 6

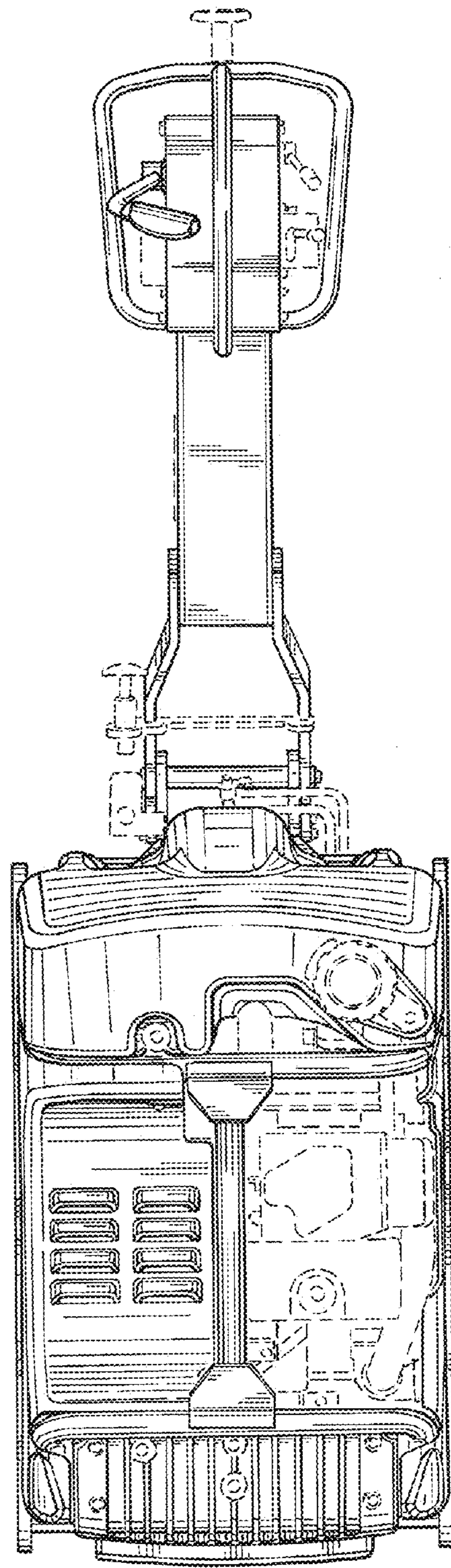


Fig. 7

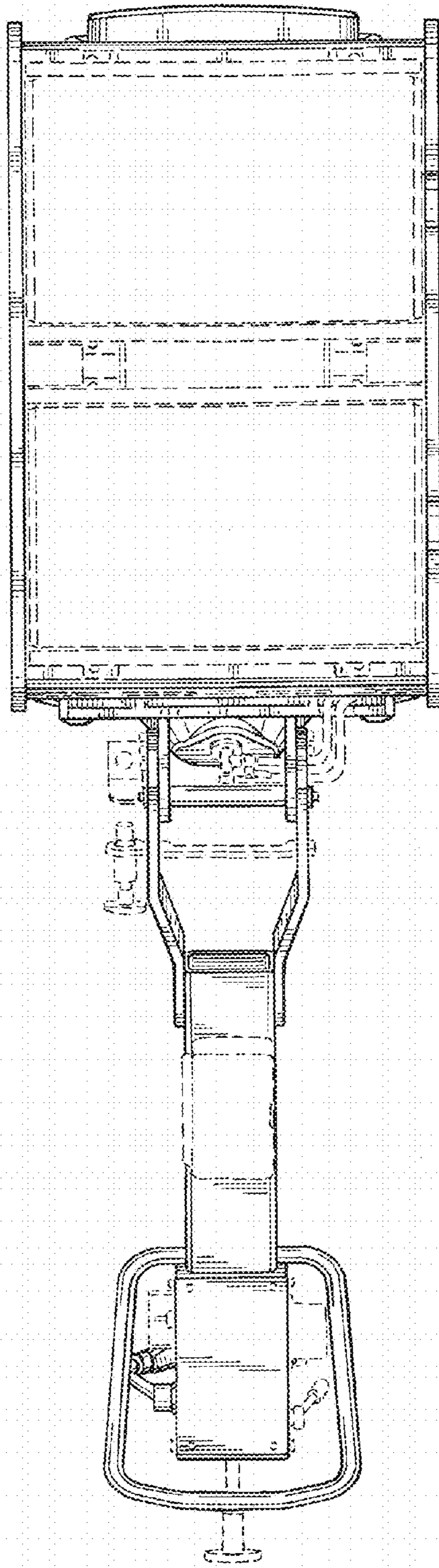


Fig. 8