



US00D776169S

(12) **United States Design Patent** (10) **Patent No.:** **US D776,169 S**
Cmich et al. (45) **Date of Patent:** **** Jan. 10, 2017**

(54) **ROBOTIC MOWER**
(71) Applicant: **MTD Products Inc**, Valley City, OH (US)
(72) Inventors: **Ryan Cmich**, Sharon Township, OH (US); **Ryan W. Maibach**, Medina, OH (US)
(73) Assignee: **MTD PRODUCTS INC**, Valley City, OH (US)
(**) Term: **15 Years**

D451,931 S * 12/2001 Abramson D15/14
6,327,741 B1 12/2001 Reed
6,339,735 B1 1/2002 Peless et al.
6,493,613 B2 12/2002 Peless et al.
D504,901 S * 5/2005 Wickstrom D15/14
7,079,923 B2 7/2006 Abramson et al.
D559,867 S * 1/2008 Abramson D15/14
7,444,206 B2 10/2008 Abramson et al.
7,613,543 B2 11/2009 Petersson et al.
7,668,631 B2 2/2010 Bernini
7,729,801 B2 6/2010 Abramson
7,769,490 B2 8/2010 Abramson et al.
8,046,103 B2 10/2011 Abramson et al.
D652,431 S * 1/2012 Naslund D15/14

(Continued)

(21) Appl. No.: **29/569,048**

FOREIGN PATENT DOCUMENTS

(22) Filed: **Jun. 23, 2016**

EP 2648307 A1 10/2013
EP 2656718 A1 10/2013
EP 2852029 A1 3/2015

Related U.S. Application Data

(63) Continuation of application No. 29/529,350, filed on Jun. 5, 2015, now Pat. No. Des. 760,806.

Primary Examiner — Mark Goodwin
(74) *Attorney, Agent, or Firm* — Wegman, Hessler & Vanderburg

(51) **LOC (10) Cl.** **15-03**

(52) **U.S. Cl.**
USPC **D15/14; D15/17**

(57) **CLAIM**

(58) **Field of Classification Search**
USPC ... D15/14, 17, 18; 56/11.9, 17.5, 13.4, 12.8, 56/16.7, 202, 255, 294, 295, 320.1, 320.2; 180/900, 89.1, 89.12
CPC A01D 34/008; A01D 34/81; B60L 1/003; B60L 3/0061; B60L 11/1803; B60L 11/1805; B60L 11/1877; B60L 15/20; B60L 2260/28; B60L 2200/40; B60L 2220/16; B60L 2220/46; B60L 2240/36; B60L 2240/421
See application file for complete search history.

We claim the ornamental design for a robotic mower, as shown and described.

DESCRIPTION

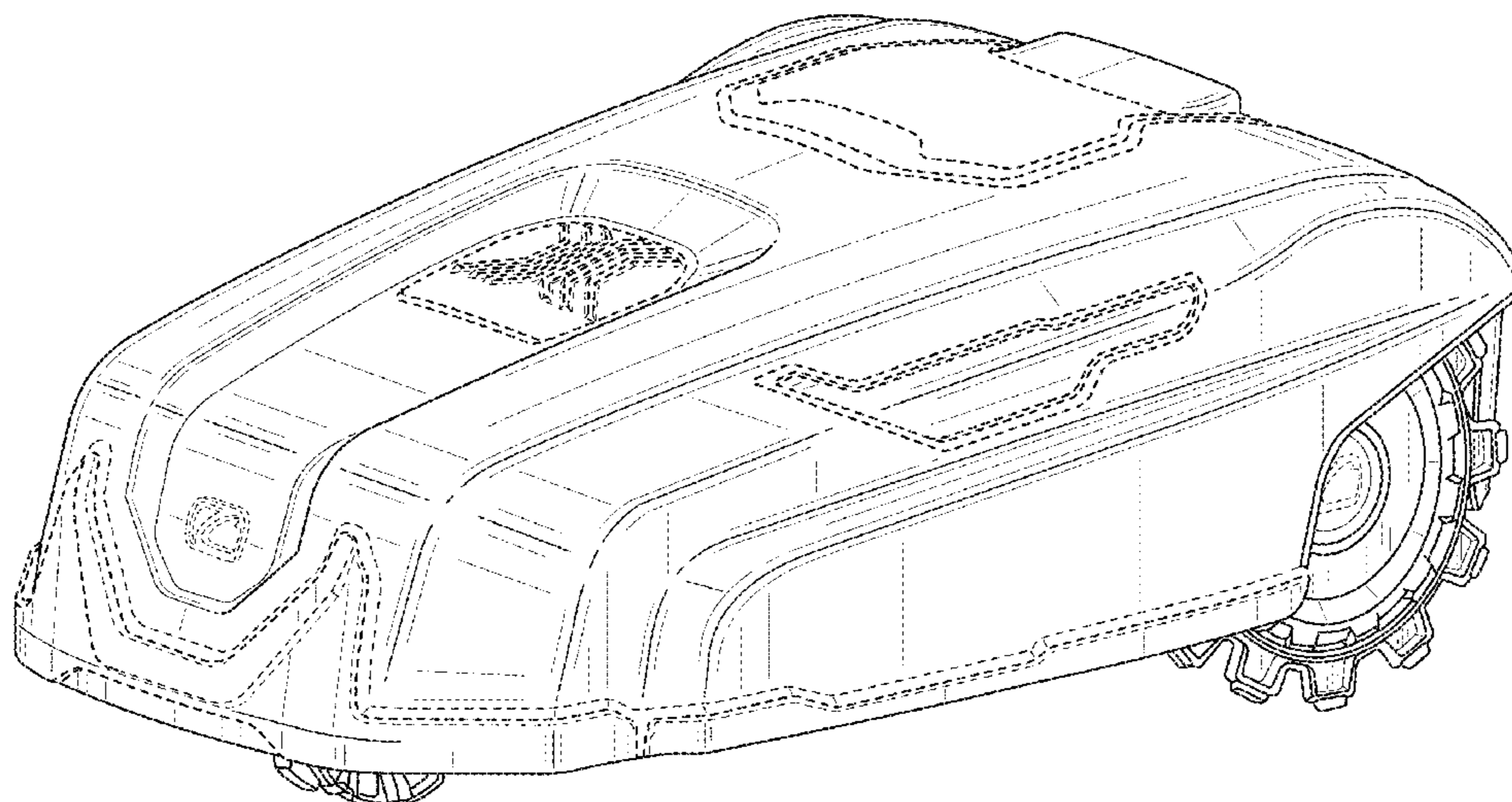
(56) **References Cited**

FIG. 1 is a top perspective view of a robotic mower showing our new design;
FIG. 2 is a front view thereof;
FIG. 3 is a rear view thereof;
FIG. 4 is a right side view thereof;
FIG. 5 is a left side view thereof;
FIG. 6 is a top view; and,
FIG. 7 is a bottom view.
The broken lines shown in the drawings are for the purpose of illustrating portions of the article that form no part of the claimed design.

U.S. PATENT DOCUMENTS

5,204,814 A 4/1993 Noonan et al.
D420,365 S * 2/2000 Gunnar D15/14
6,321,515 B1 11/2001 Colens

1 Claim, 7 Drawing Sheets



(56)

References Cited

U.S. PATENT DOCUMENTS

D656,163	S *	3/2012	Johansson	D15/14
8,239,992	B2	8/2012	Schnittman et al.	
D678,352	S *	3/2013	Maeda	D15/14
D679,294	S *	4/2013	Tajik	D15/14
D679,295	S *	4/2013	Tajik	D15/14
D681,065	S *	4/2013	Maeda	D15/14
8,428,776	B2	4/2013	Letsky	
8,452,450	B2	5/2013	Dooley et al.	
D688,276	S *	8/2013	Naslund	D15/14
8,532,822	B2	9/2013	Abramson et al.	
8,600,582	B2	12/2013	Bernini	
8,676,378	B2	3/2014	Tian et al.	
8,818,602	B2	8/2014	Yamamura et al.	
8,868,237	B2	10/2014	Sandin et al.	
8,983,693	B2	3/2015	Yamamura et al.	
2006/0150361	A1	7/2006	Aldred et al.	
2011/0234153	A1	9/2011	Abramson	
2013/0211646	A1	8/2013	Yamamura et al.	
2013/0211647	A1	8/2013	Yamamura et al.	
2013/0317680	A1	11/2013	Yamamura et al.	
2014/0031979	A1	1/2014	Borinato et al.	
2014/0058611	A1	2/2014	Borinato	
2014/0324269	A1	10/2014	Abramson et al.	

* cited by examiner

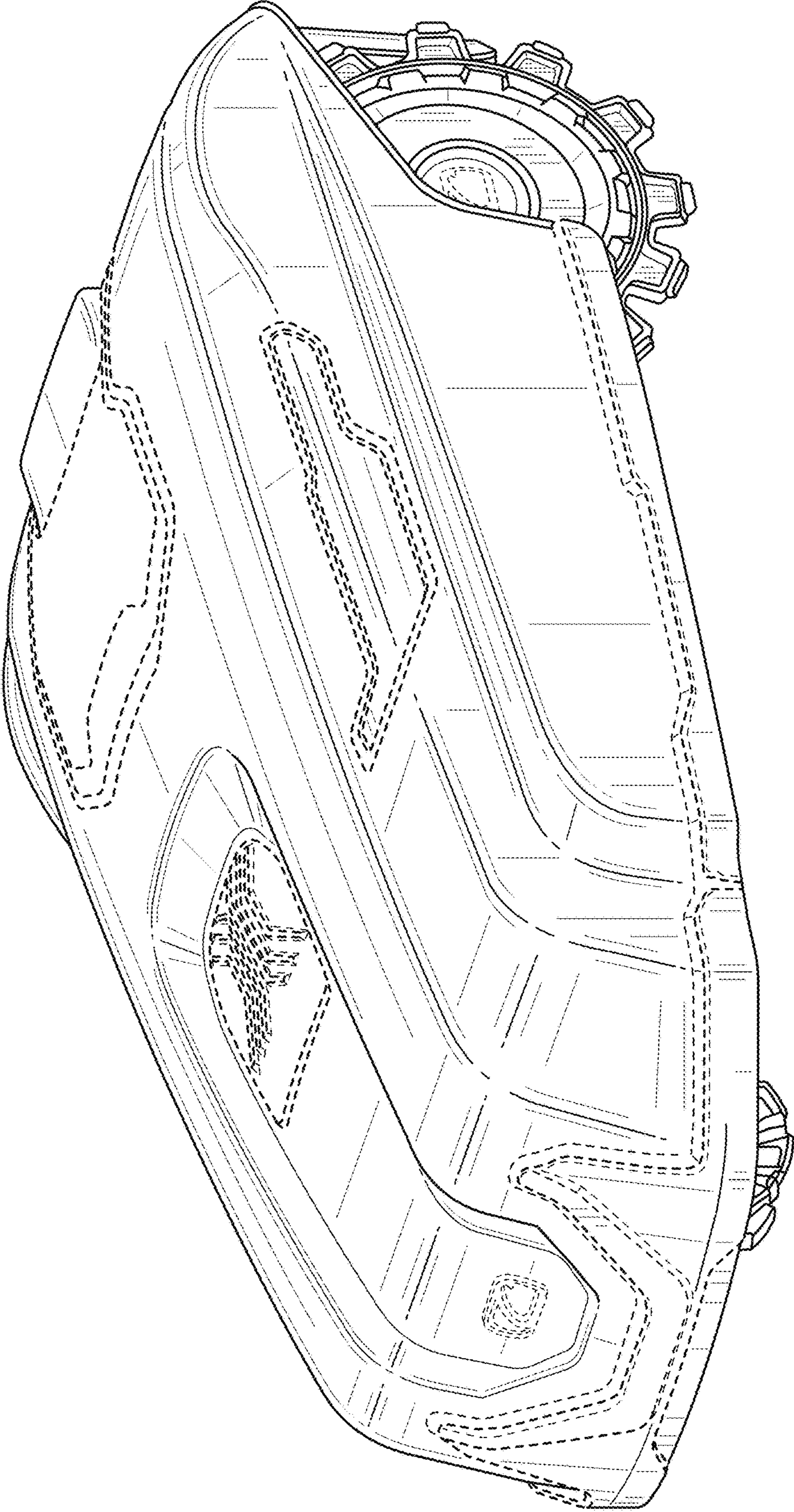


FIG. 1

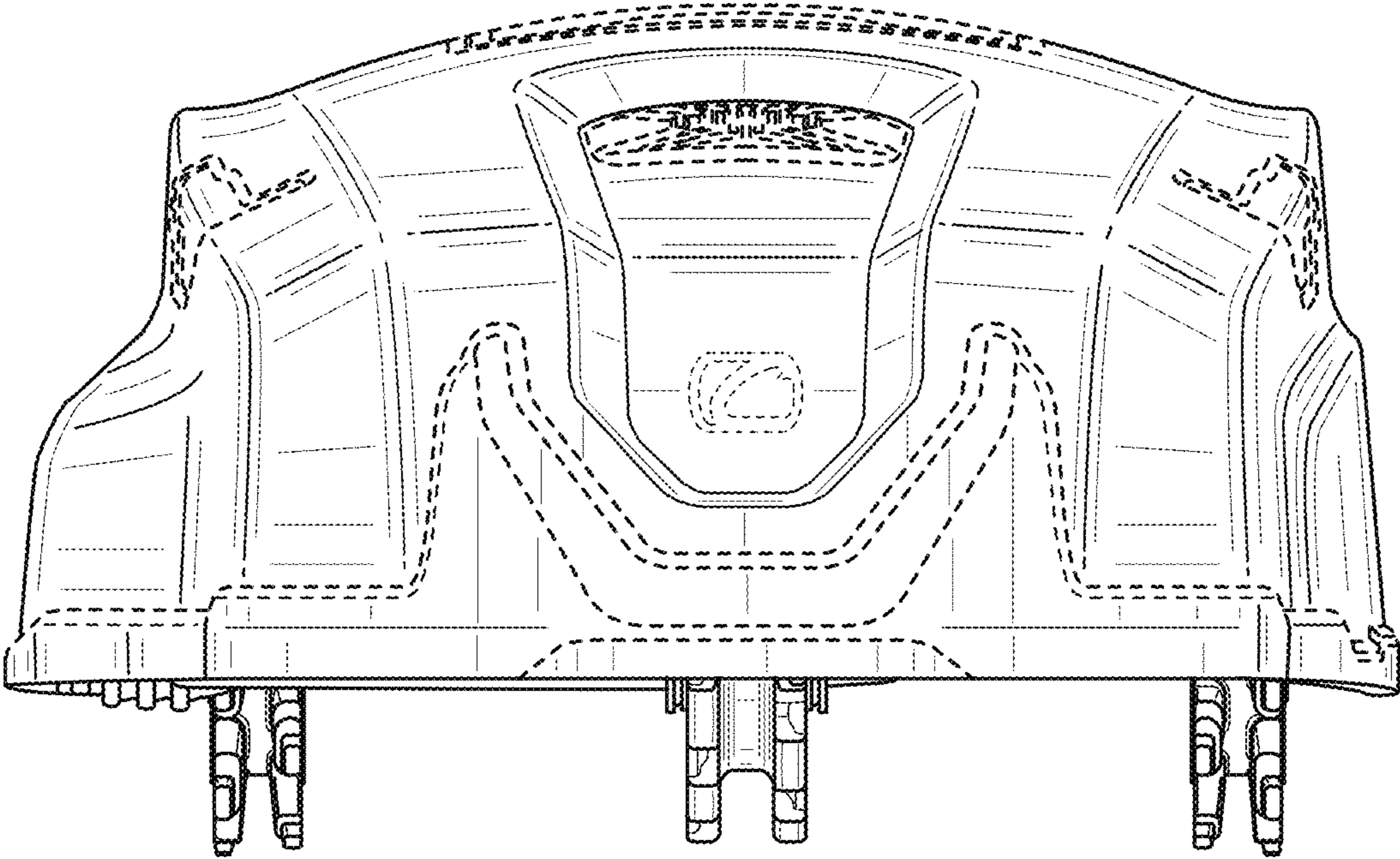


FIG. 2

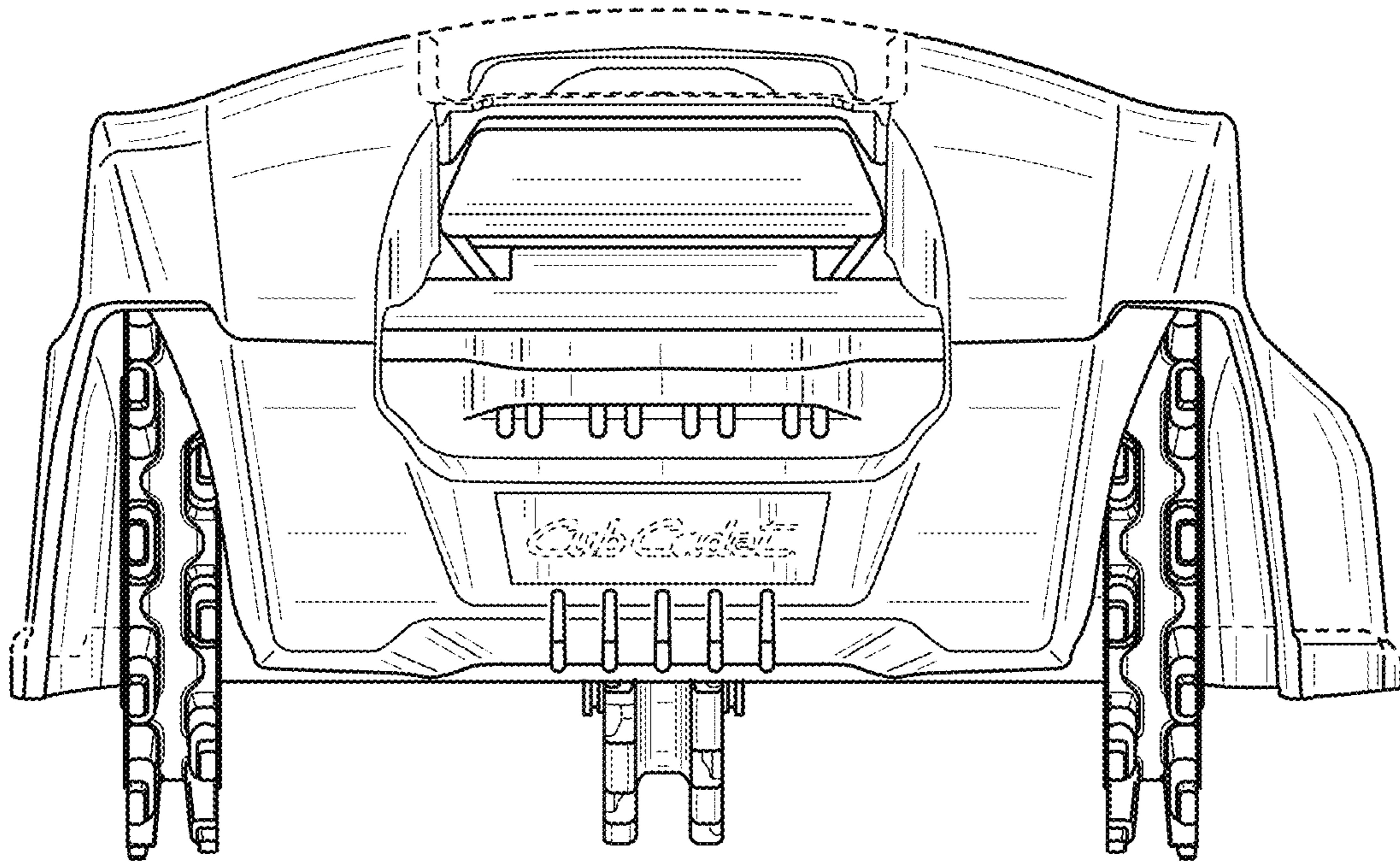


FIG. 3

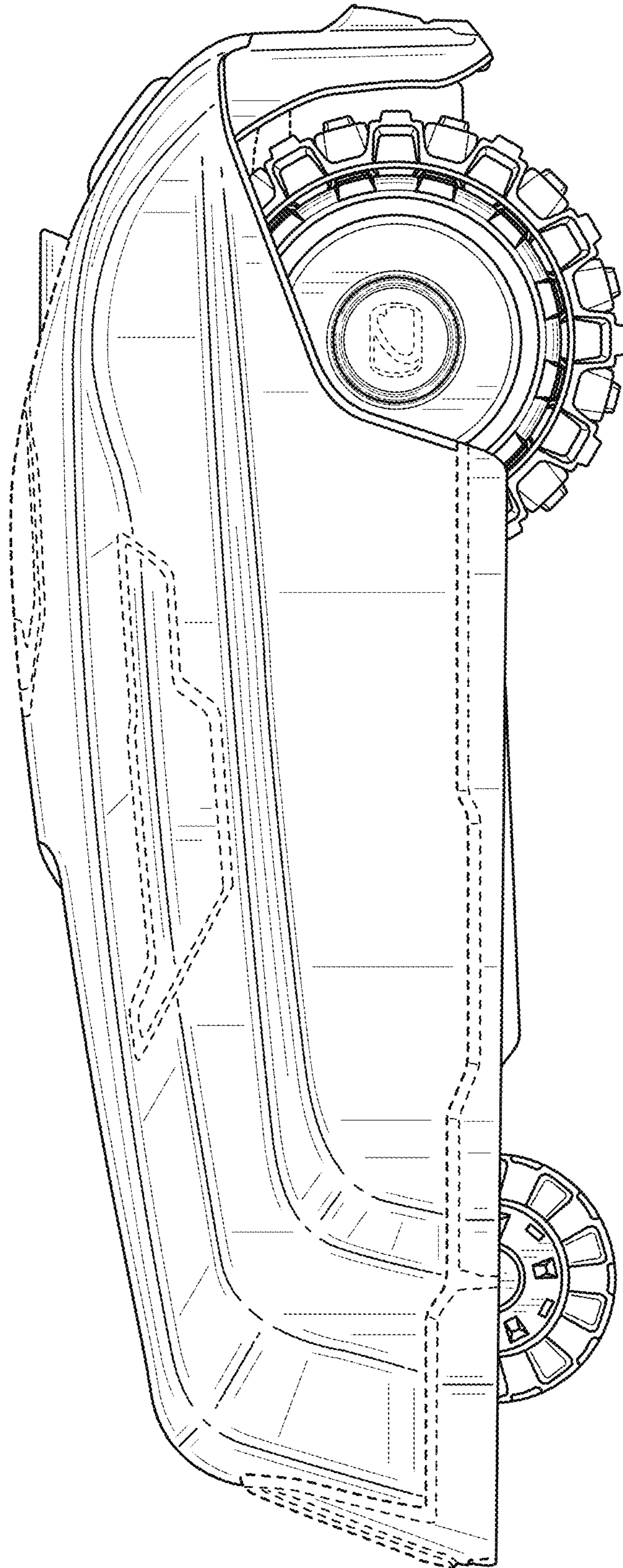


FIG. 4

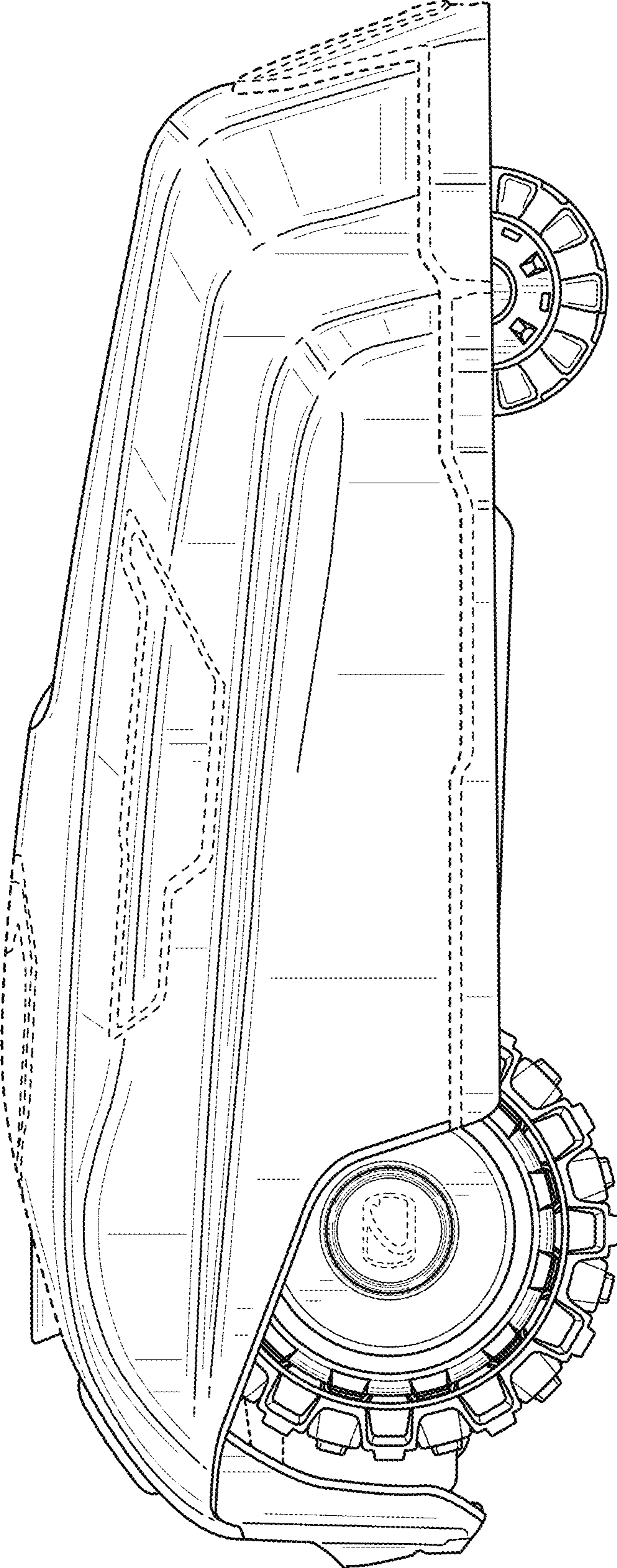


FIG. 5

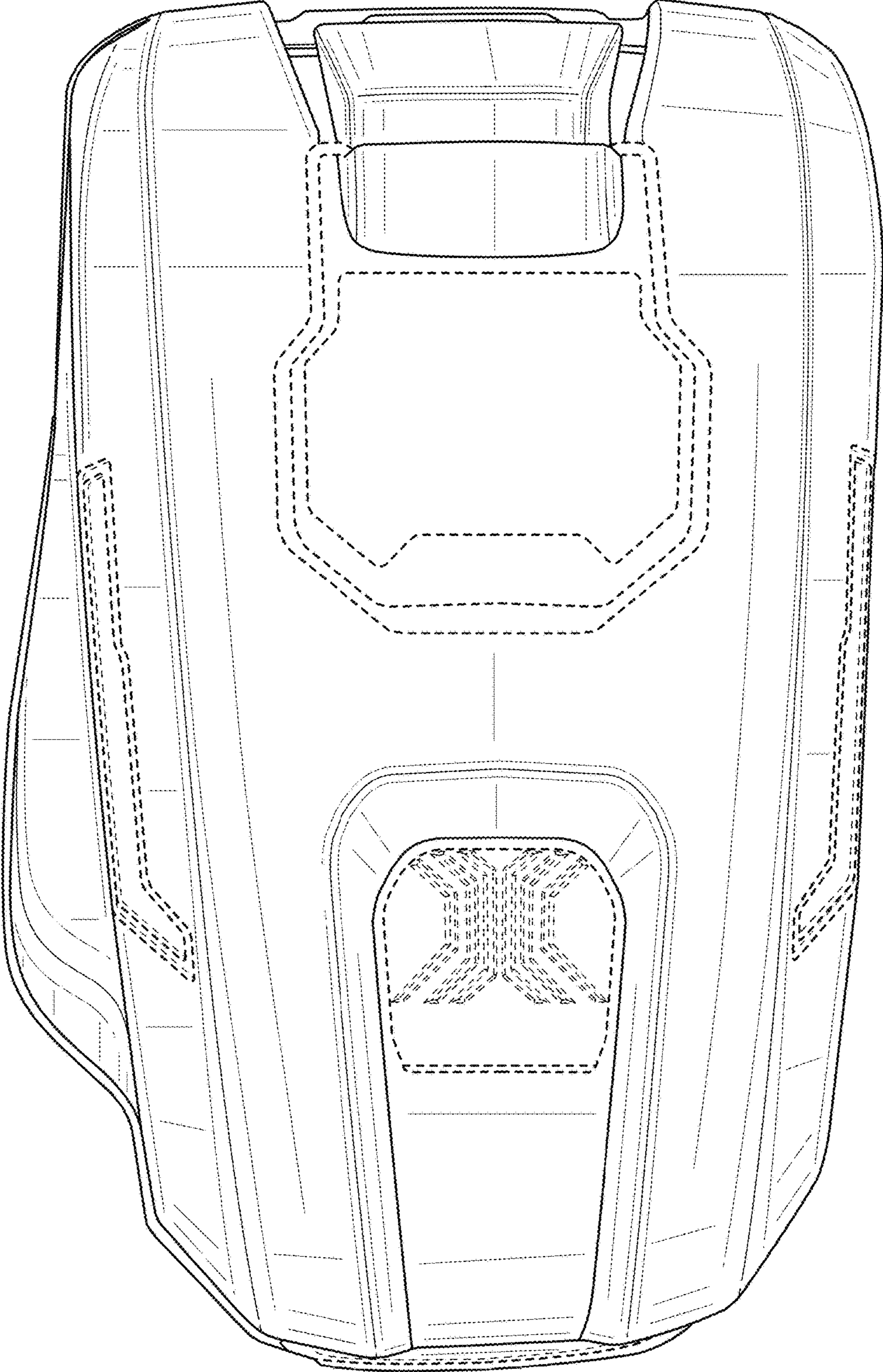


FIG. 6

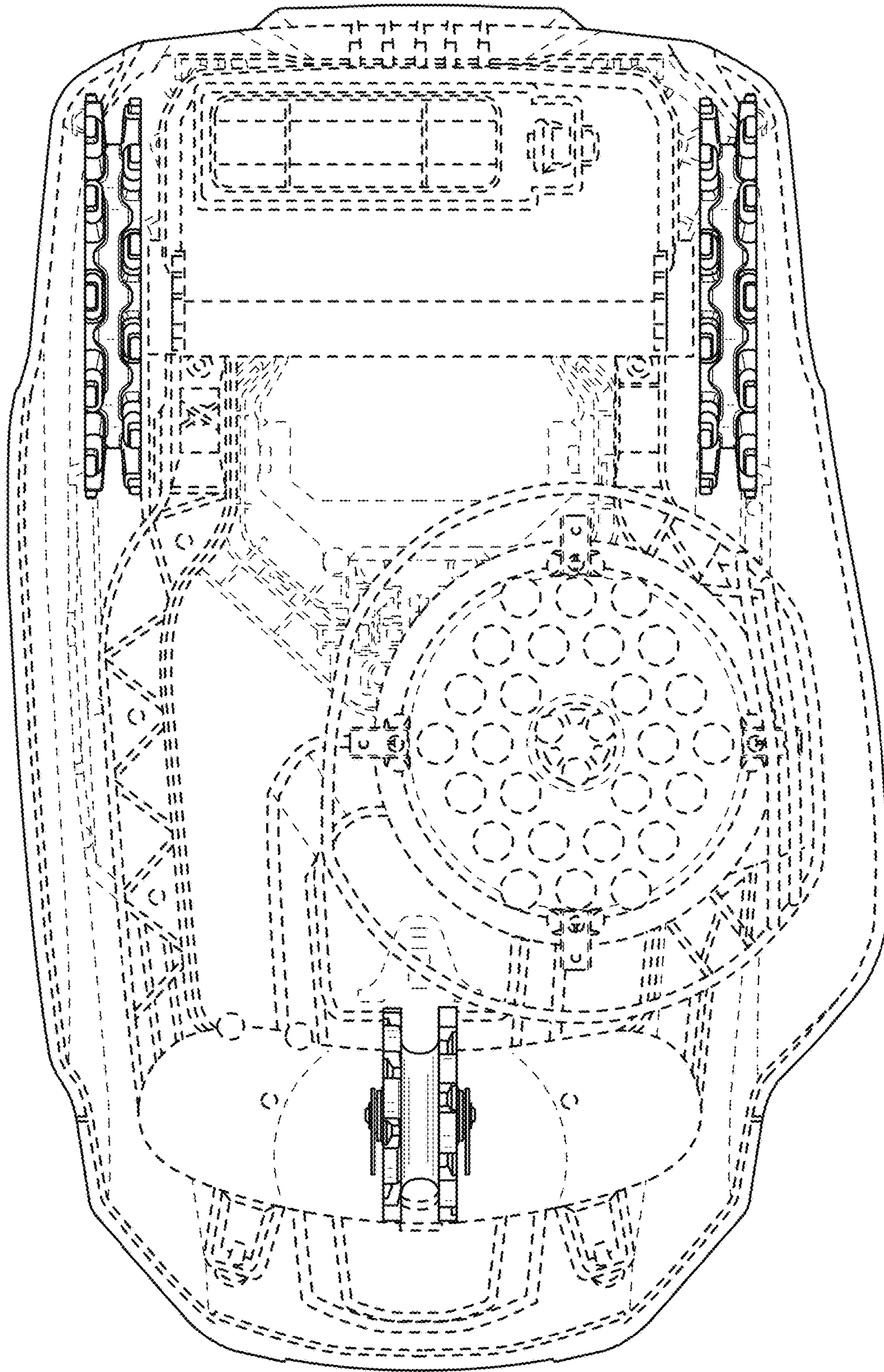


FIG. 7