



US00D776167S

(12) **United States Design Patent** (10) **Patent No.:** **US D776,167 S**
Kelso et al. (45) **Date of Patent:** **** Jan. 10, 2017**

(54) **COMBINED INFLATOR MOUNTING BRACKET AND INFLATOR**

(74) *Attorney, Agent, or Firm* — Pauley Erickson & Kottis

(71) Applicants: **Brendan P. Kelso**, Atascadero, CA (US); **Rose Fortune**, Atascadero, CA (US); **Shelby D. Junghandel**, Arroya Grande, CA (US); **Carey C. Costle**, Tucson, AR (US); **Patrick B. Mallon**, San Luis Obispo, CA (US)

(57) **CLAIM**

The ornamental design for an combined inflator mounting bracket and inflator, as shown and described.

(72) Inventors: **Brendan P. Kelso**, Atascadero, CA (US); **Rose Fortune**, Atascadero, CA (US); **Shelby D. Junghandel**, Arroya Grande, CA (US); **Carey C. Costle**, Tucson, AR (US); **Patrick B. Mallon**, San Luis Obispo, CA (US)

DESCRIPTION

(73) Assignee: **Illinois Tool Works Inc.**, Glenview, IL (US)

FIG. 1 is a perspective view of the combined inflator mounting bracket and inflator, according to one embodiment of this invention;

(**) Term: **15 Years**

FIG. 2 is a front view of the combined inflator mounting bracket and inflator shown in FIG. 1;

(21) Appl. No.: **29/543,530**

FIG. 3 is a rear view of the combined inflator mounting bracket and inflator shown in FIG. 1;

(22) Filed: **Oct. 26, 2015**

FIG. 4 is a side view of the combined inflator mounting bracket and inflator shown in FIG. 1;

(51) **LOC (10) Cl.** **15-02**

FIG. 5 is a side view, opposite the side view shown in FIG. 4, of the combined inflator mounting bracket and inflator shown in FIG. 1;

(52) **U.S. Cl.**

USPC **D15/7**

FIG. 6 is a top view of the combined inflator mounting bracket and inflator shown in FIG. 1;

(58) **Field of Classification Search**

USPC D15/7-9; D23/231, 232, 225; 417/410.1, 417/359, 415-416, 234, 321, 265, 405; 60/645, 60/651; 184/26-37; 415/140-147; 123/495, 123/509; D8/354, 349; 401/287

FIG. 7 is a bottom view of the combined inflator mounting bracket and inflator shown in FIG. 1;

FIG. 8 is a top view of the combined inflator mounting bracket and inflator shown in FIG. 1 having an inflator mounted therein;

FIG. 9 is a bottom view of the combined inflator mounting bracket and inflator shown in FIG. 8;

FIG. 10 is a side view of the combined inflator mounting bracket and inflator shown in FIG. 8;

FIG. 11 is a side view, opposite the side view shown in FIG. 10, of the combined inflator mounting bracket and inflator shown in FIG. 8;

FIG. 12 is a top view of the combined inflator mounting bracket and inflator shown in FIG. 8; and,

FIG. 13 is a bottom view of the combined inflator mounting bracket and inflator, as shown in FIG. 8.

The broken lines are included for the purpose of illustrating portions of the combined inflator mounting bracket and inflator that form no part of the claimed design.

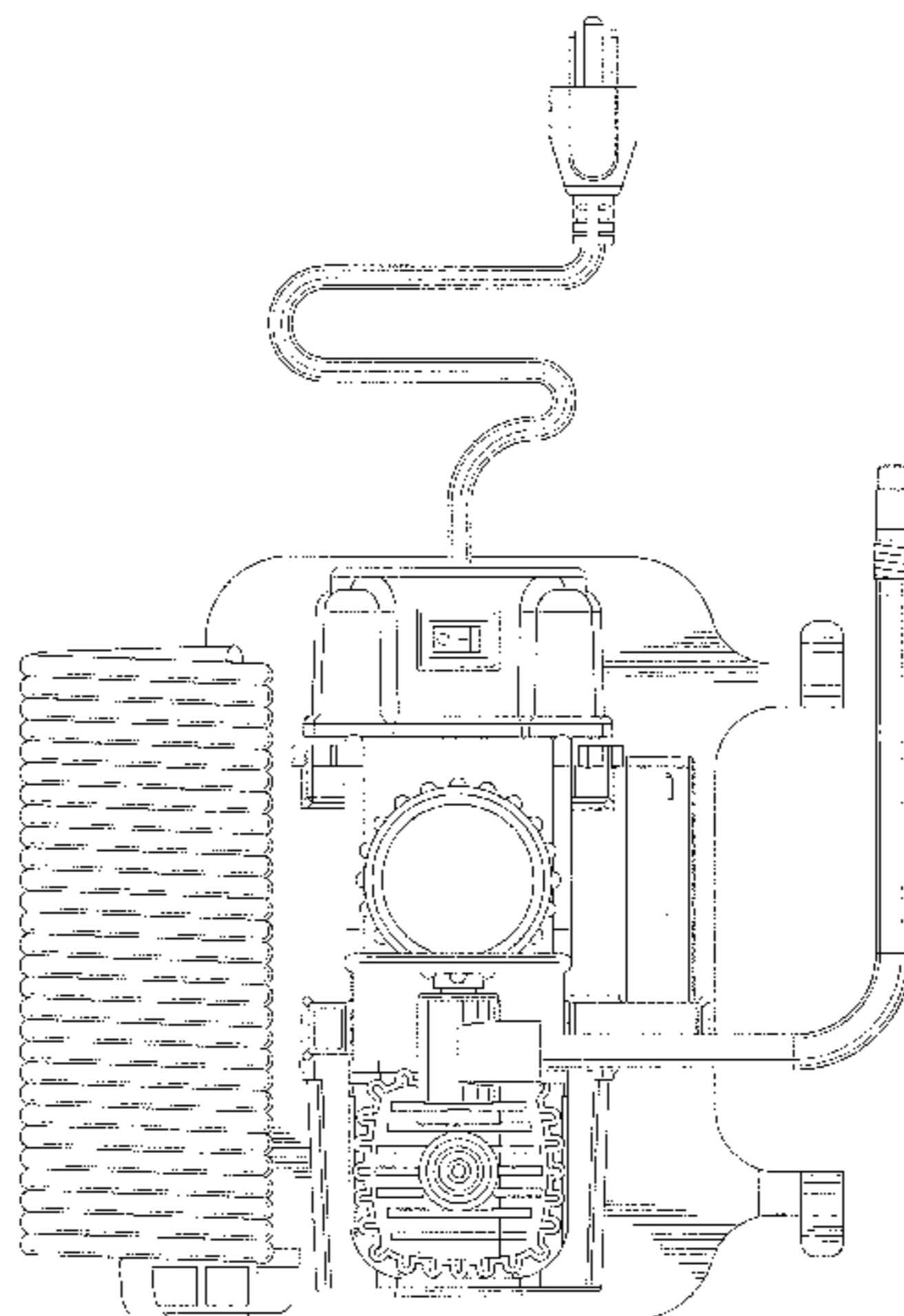
(56) **References Cited**

U.S. PATENT DOCUMENTS

D45,822 S * 5/1914 Smith D15/7
D238,963 S * 2/1976 Vinci D15/199
(Continued)

Primary Examiner — Ralf Seifert

1 Claim, 13 Drawing Sheets



(58) **Field of Classification Search**

CPC ... A46B 11/063; B05C 17/0333; B50C 17/02;
B01F 13/02

See application file for complete search history.

(56) **References Cited**

U.S. PATENT DOCUMENTS

D490,820	S	*	6/2004	Schoemneyr	D15/7
D563,435	S	*	3/2008	Charlet	D15/7
D629,422	S	*	12/2010	Fujita	D15/7
D698,829	S	*	2/2014	Singh	D15/7
D701,887	S	*	4/2014	Haener	D15/7
D737,863	S	*	9/2015	Singh	D15/7

* cited by examiner

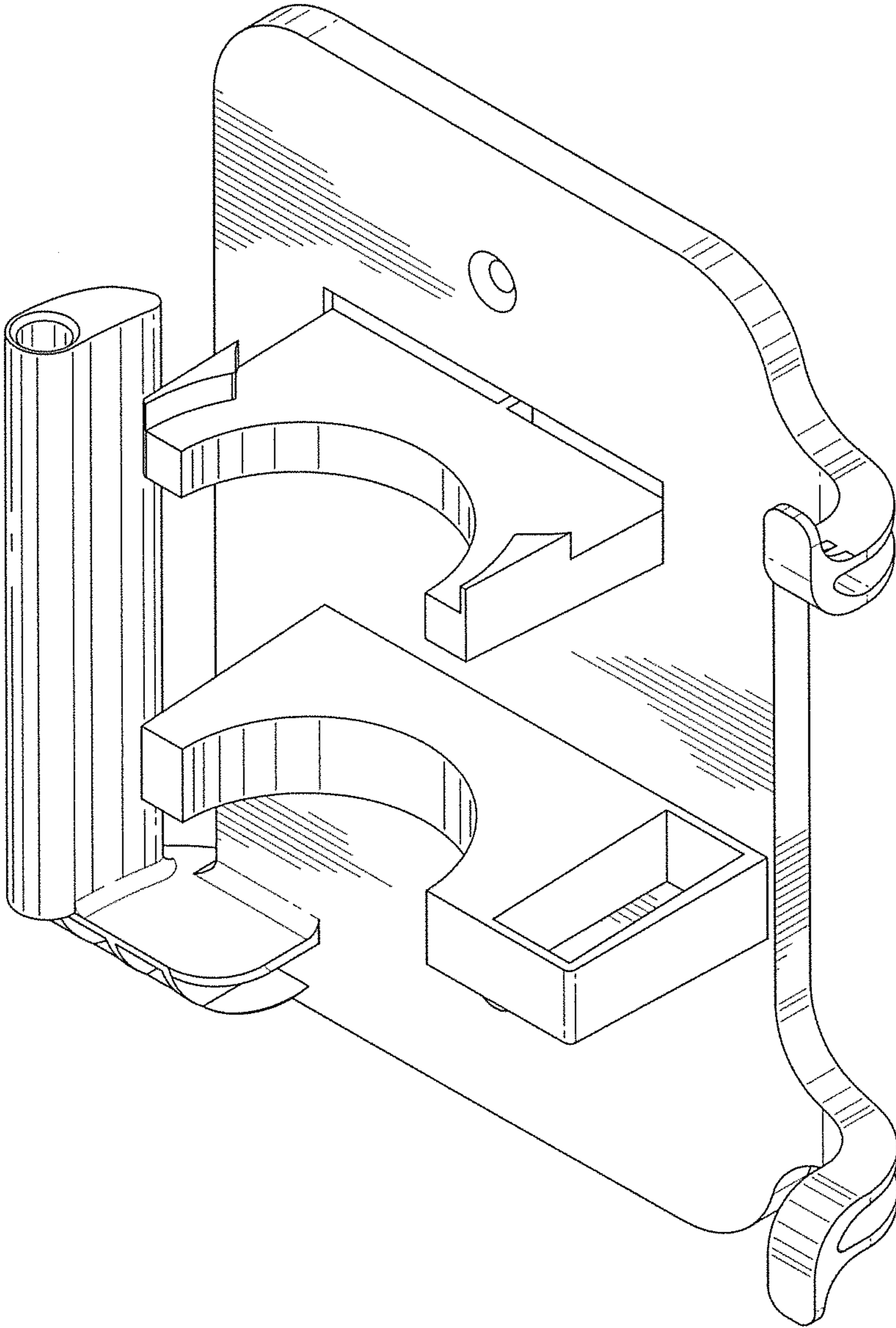


FIG. 1

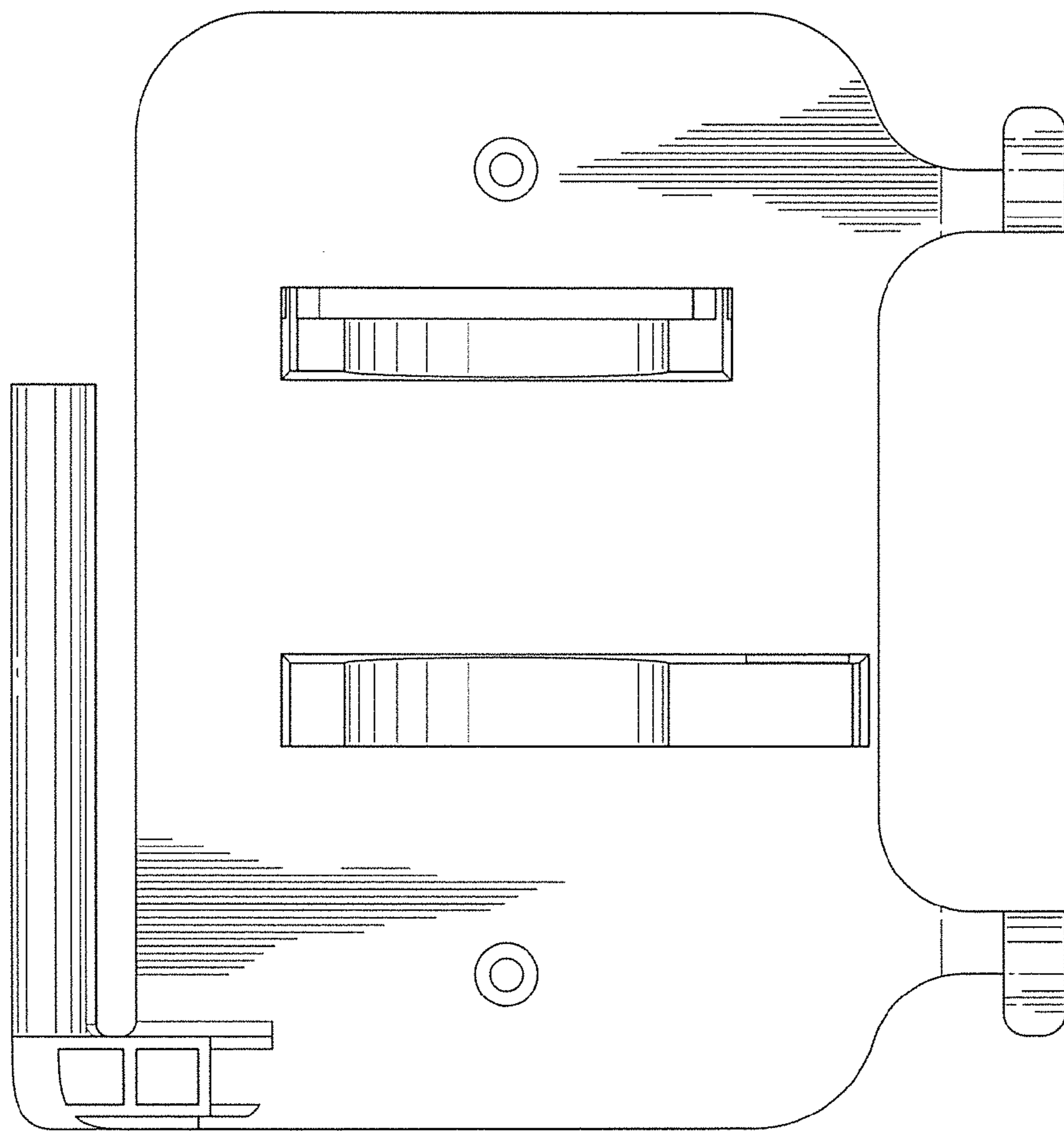


FIG. 2

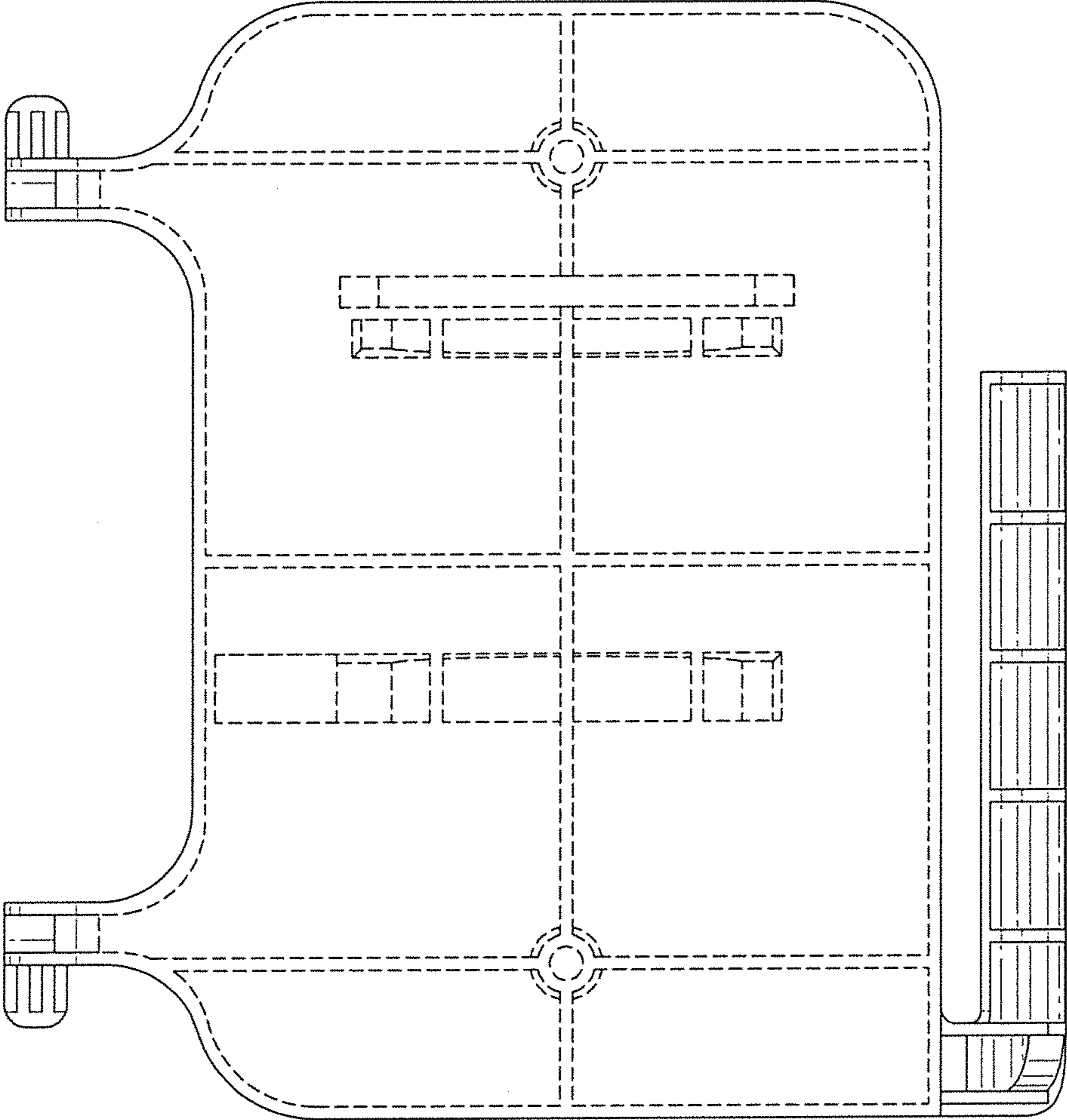


FIG. 3

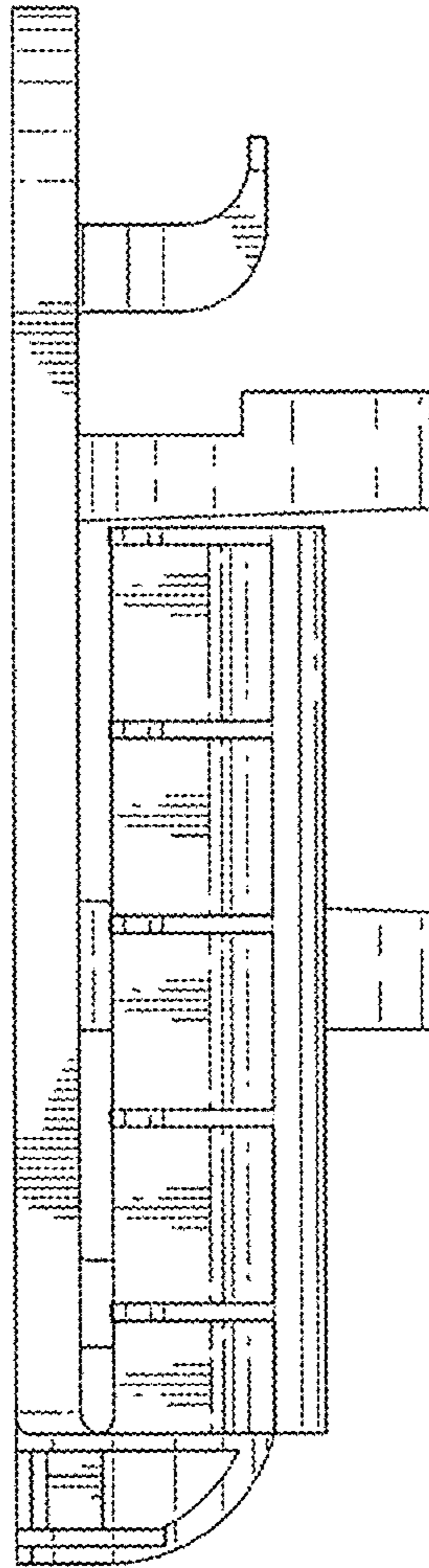


FIG. 4

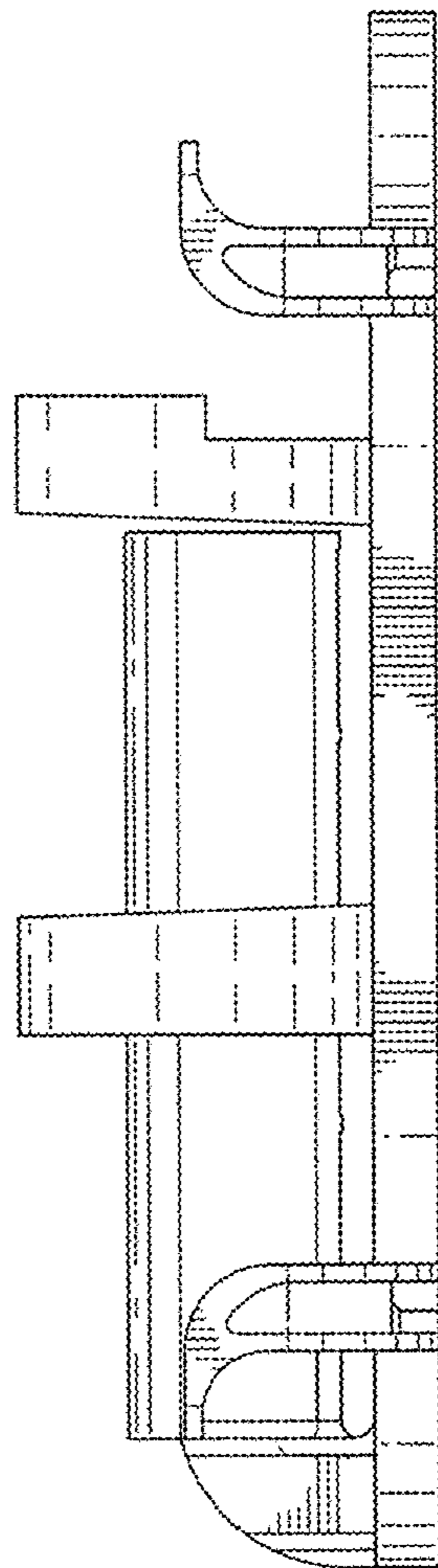


FIG. 5

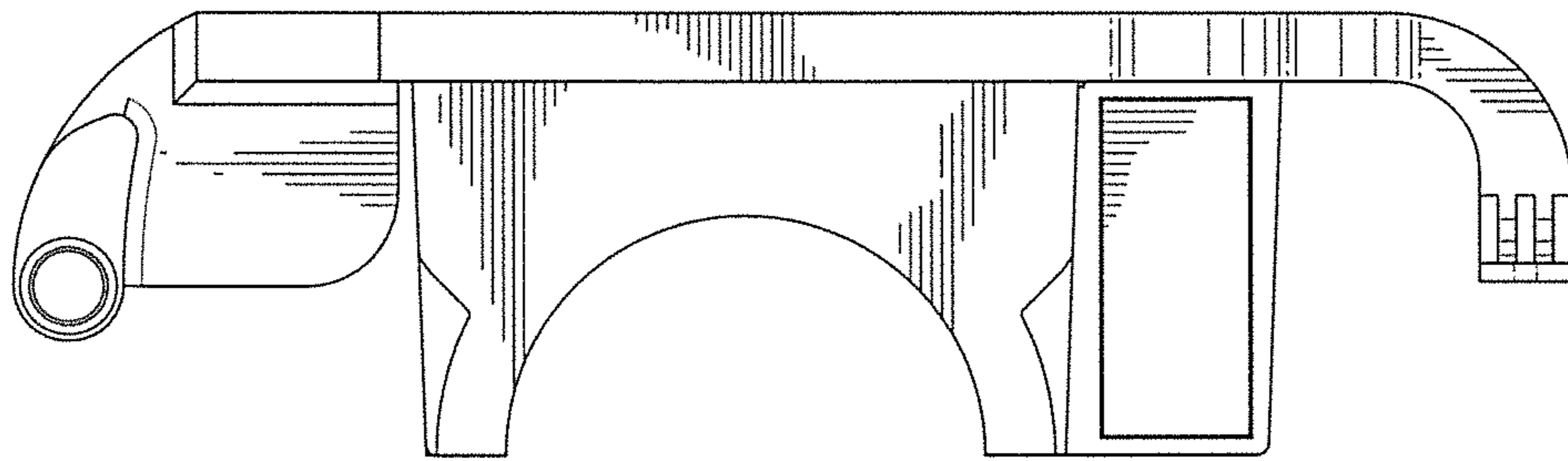


FIG. 6

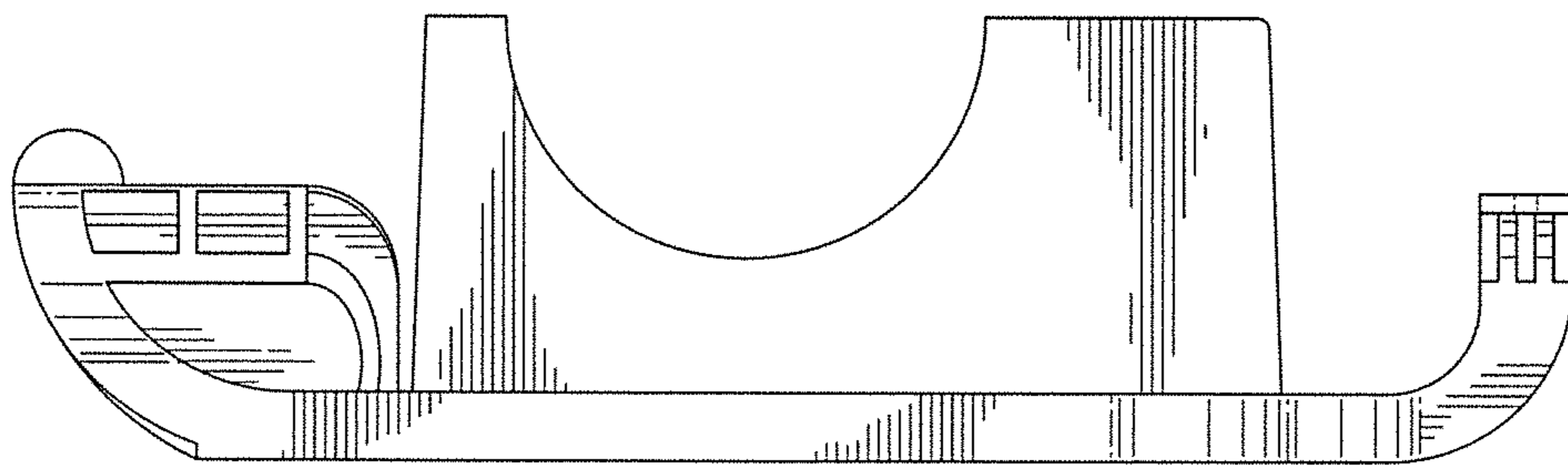


FIG. 7

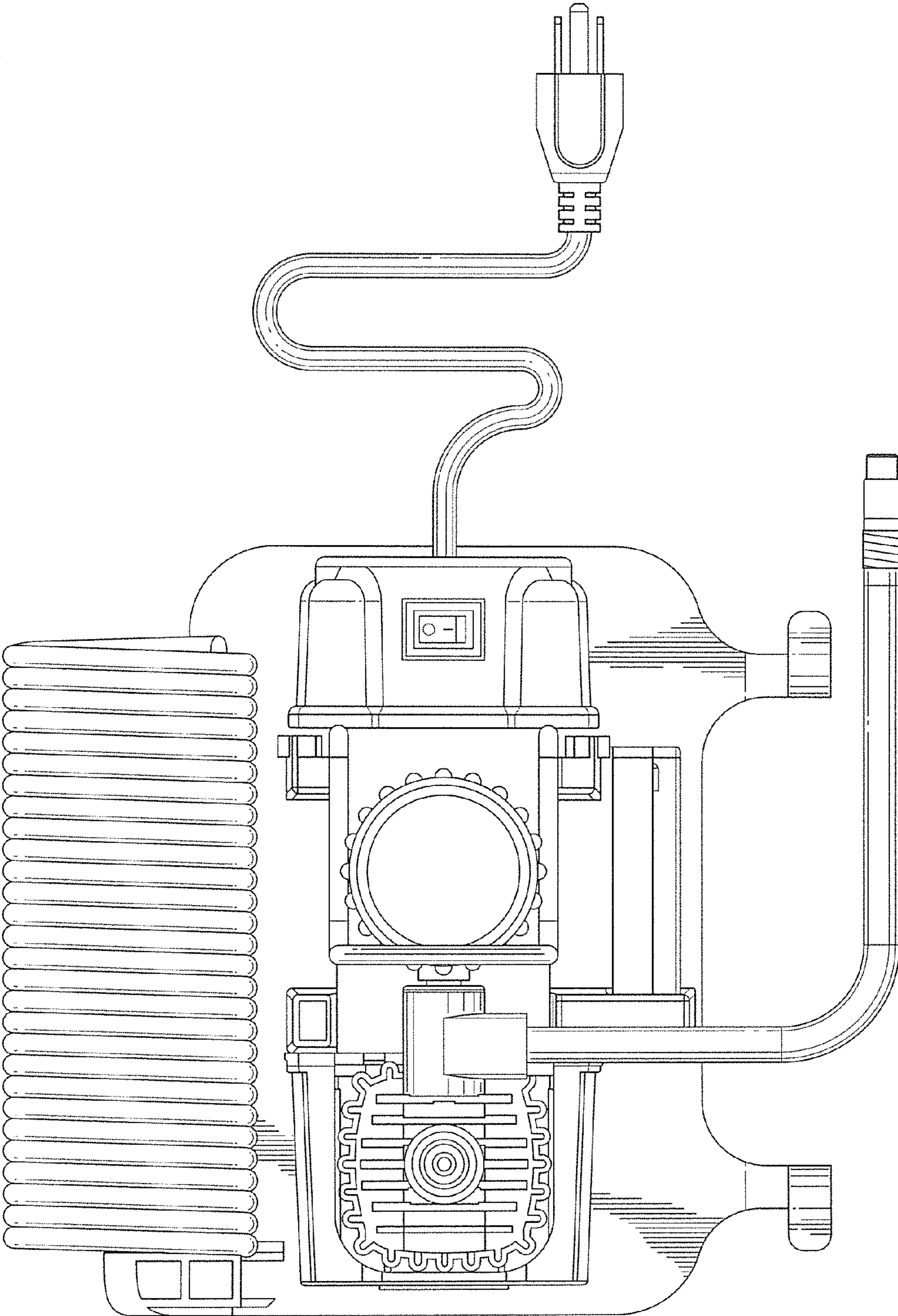


FIG. 8

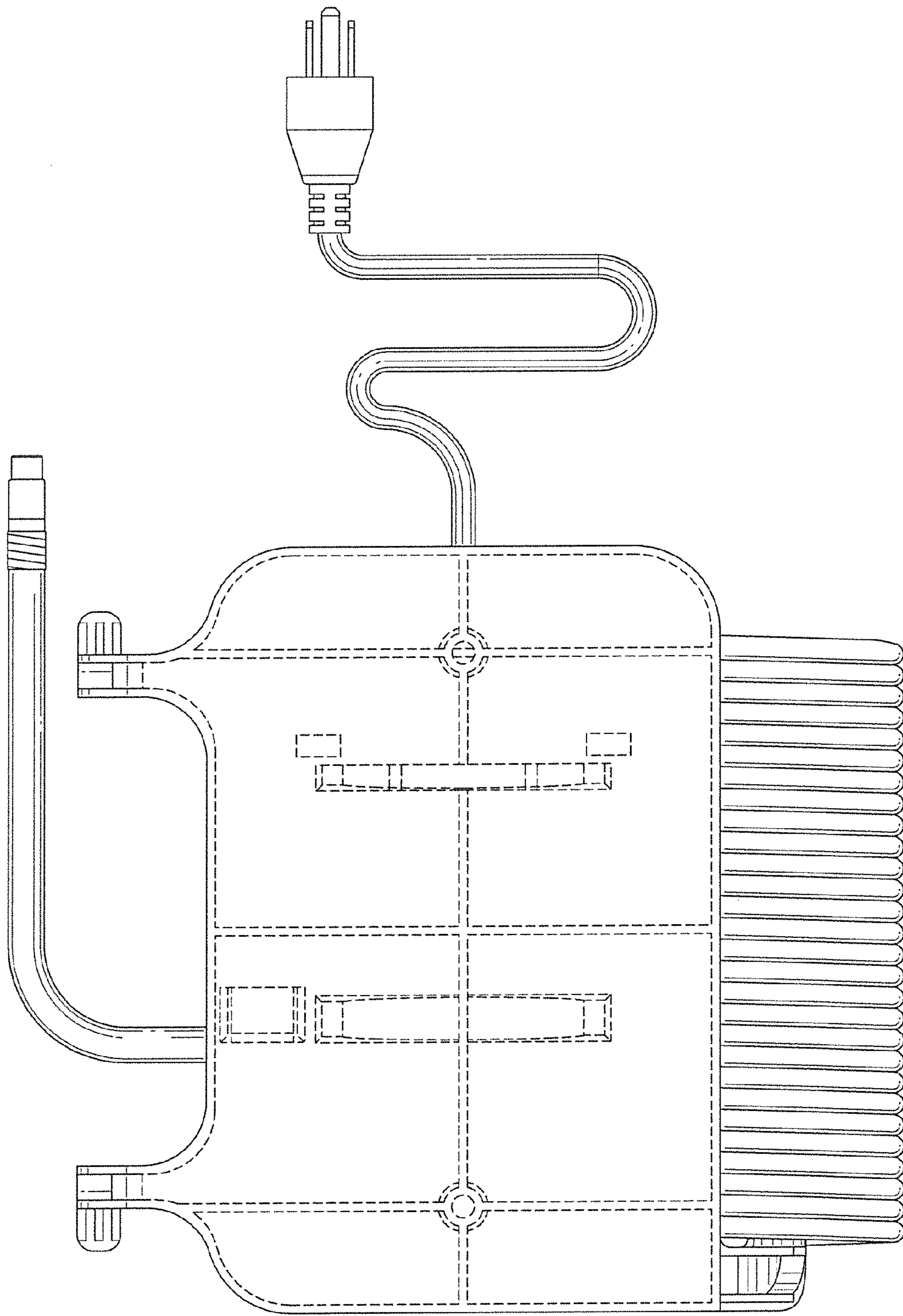


FIG. 9

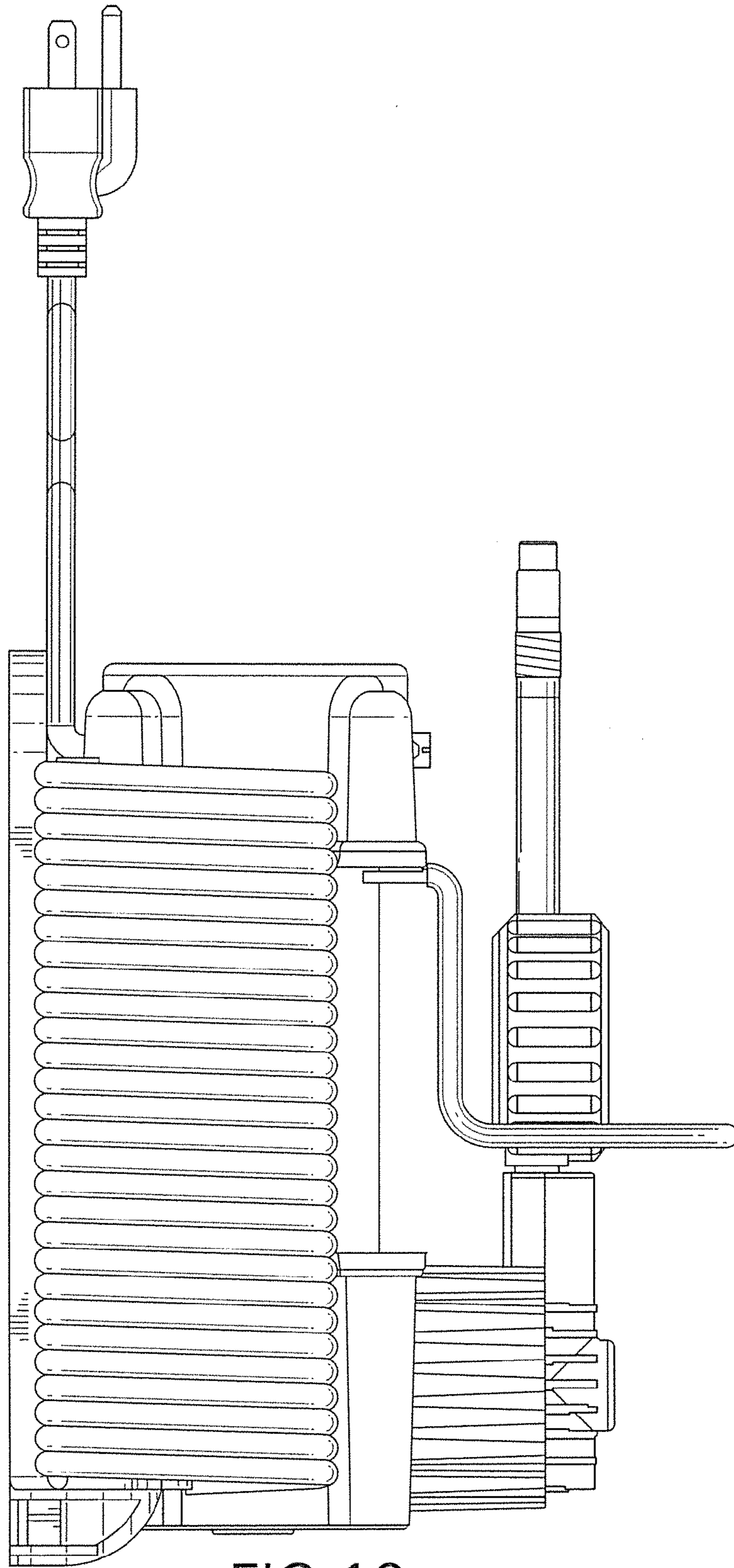


FIG. 10

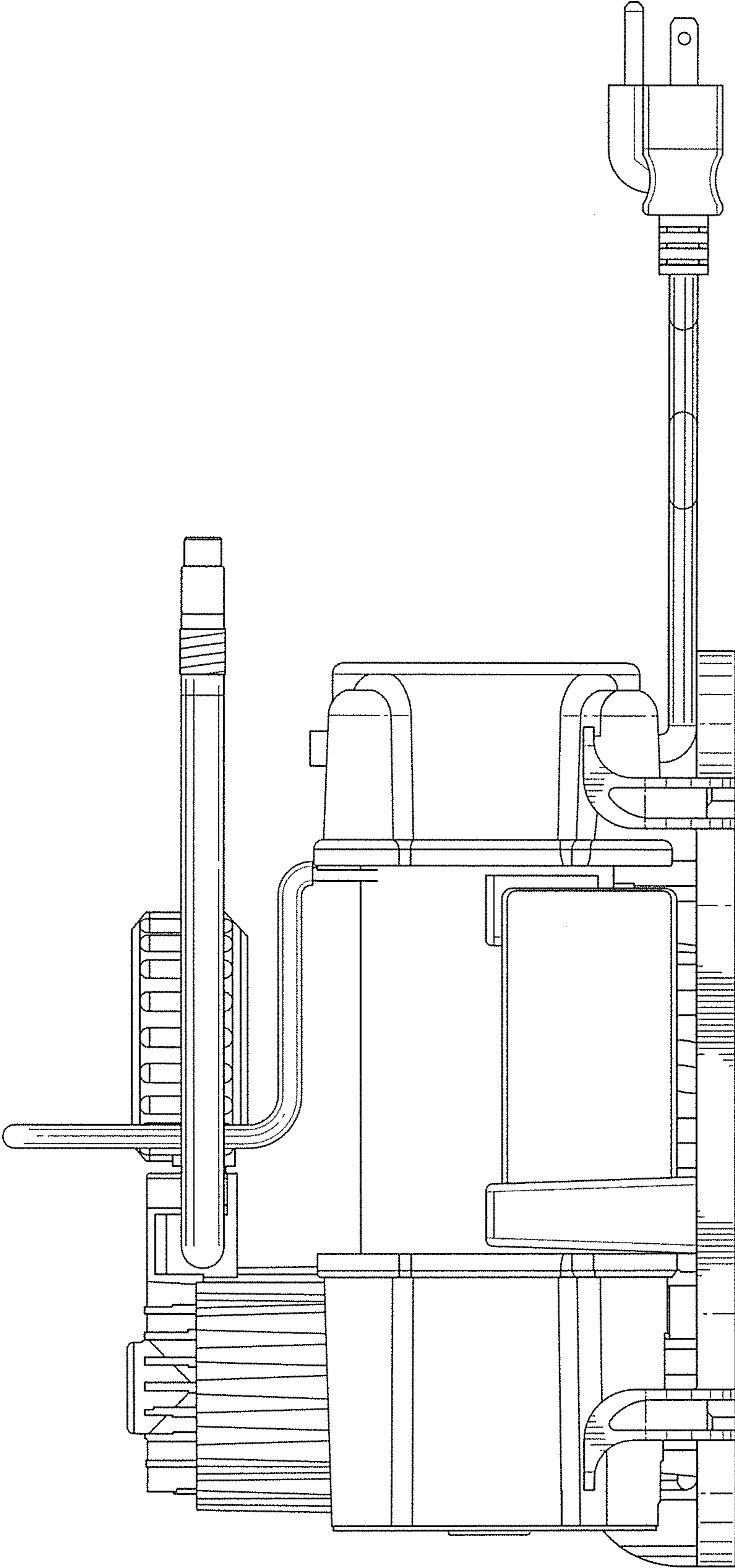


FIG. 11

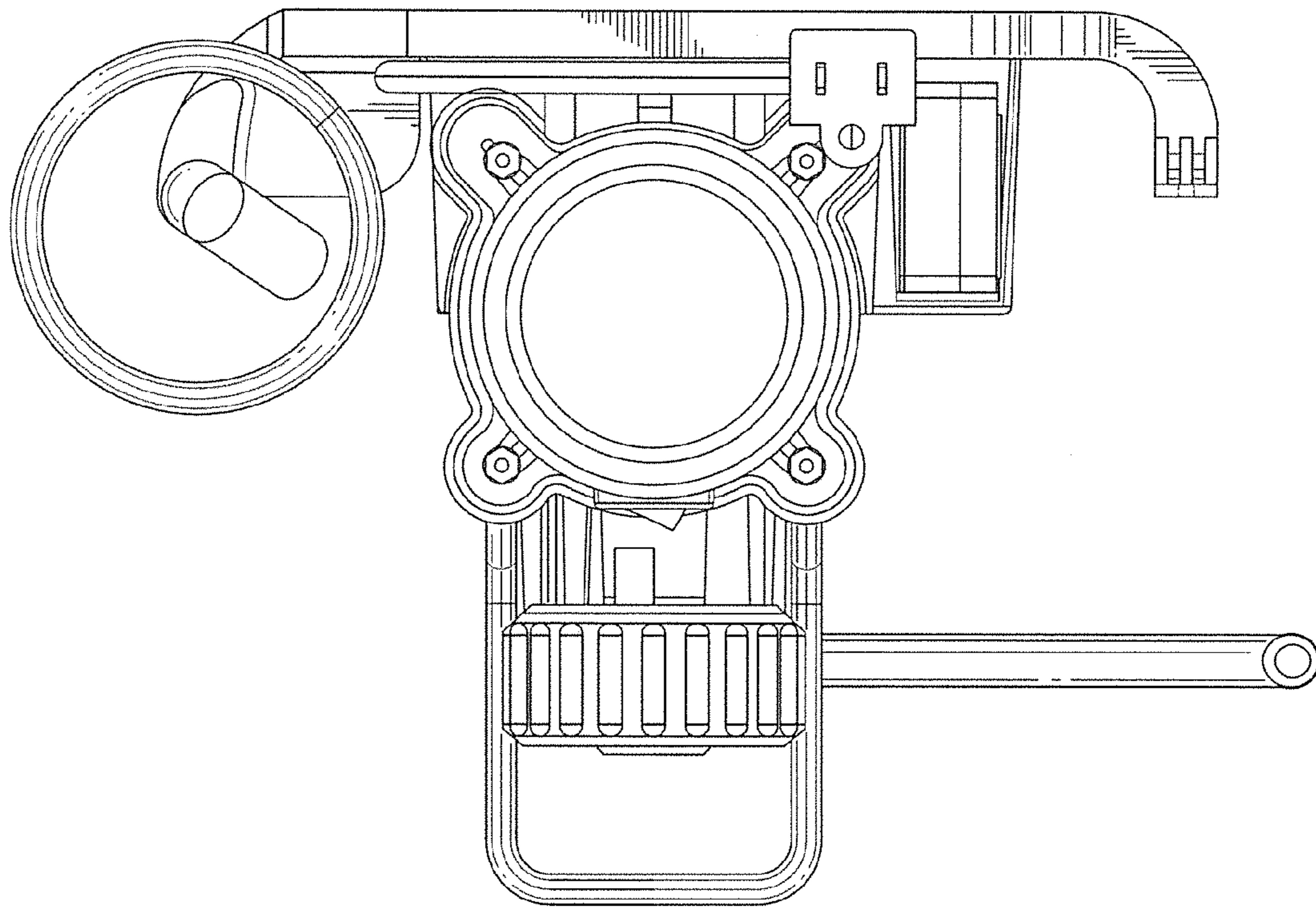


FIG. 12

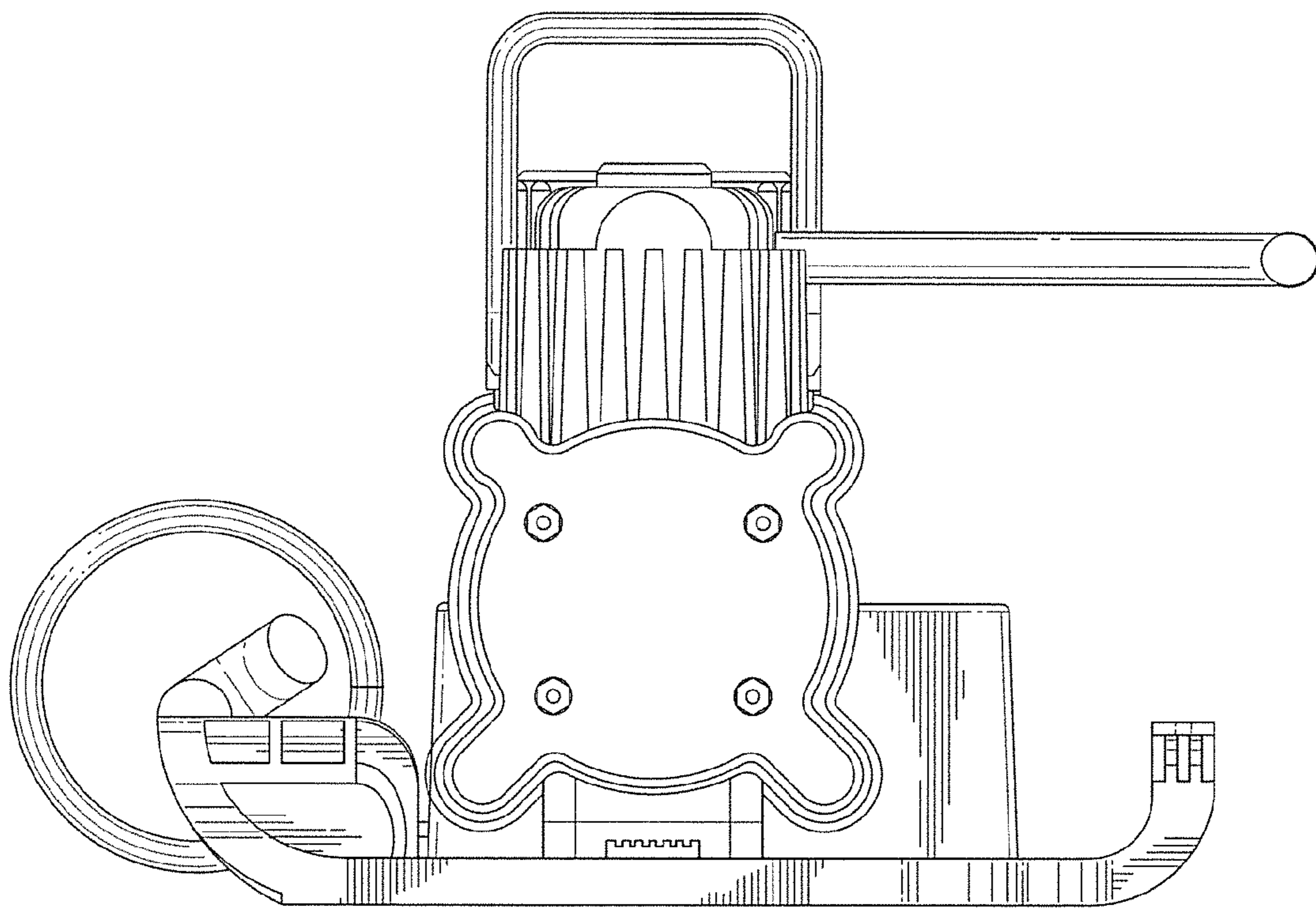


FIG. 13

UNITED STATES PATENT AND TRADEMARK OFFICE
CERTIFICATE OF CORRECTION

PATENT NO. : D776,167 S
APPLICATION NO. : 29/543530
DATED : January 10, 2017
INVENTOR(S) : Brendan P. Kelso et al.

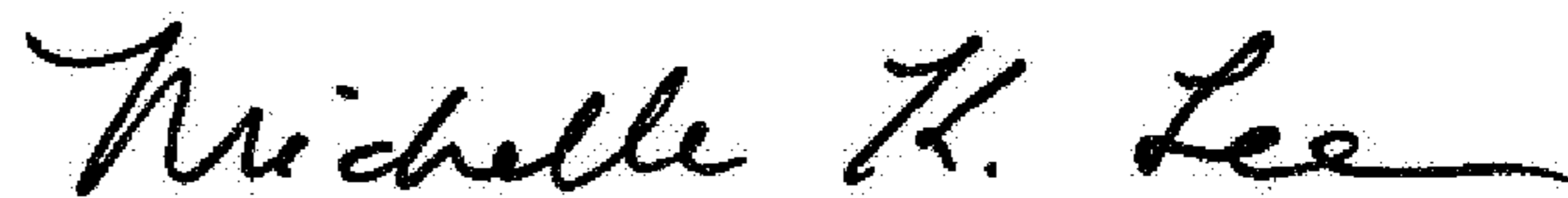
Page 1 of 1

It is certified that error appears in the above-identified patent and that said Letters Patent is hereby corrected as shown below:

On the Title Page

Replace	“(71) Applicants:	Brendan P. Kelso, Atascadero, CA (US); Rose Fortune, Atascadero, CA (US); Shelby D. Junghandel, Arroya Grande, CA (US); Carey C. Costle, Tucson, AR (US); Patrick B. Mallon, San Luis Obispo, CA (US)”
With	-(71) Applicants:	Brendan P. Kelso, Atascadero, CA (US); Rose Fortune, Atascadero, CA (US); Shelby D. Junghandel, Arroyo Grande, CA (US); Carey C. Costle, Tucson, AZ (US); Patrick B. Mallon, San Luis Obispo, CA (US)-
Replace	“(72) Inventors:	Brendan P. Kelso, Atascadero, CA (US); Rose Fortune, Atascadero, CA (US); Shelby D. Junghandel, Arroya Grande, CA (US); Carey C. Costle, Tucson, AR (US); Patrick B. Mallon, San Luis Obispo, CA (US)”
With	-(72) Inventors:	Brendan P. Kelso, Atascadero, CA (US); Rose Fortune, Atascadero, CA (US); Shelby D. Junghandel, Arroyo Grande, CA (US); Carey C. Costle, Tucson, AZ (US); Patrick B. Mallon, San Luis Obispo, CA (US)-

Signed and Sealed this
Twenty-third Day of May, 2017



Michelle K. Lee
Director of the United States Patent and Trademark Office