



US00D776138S

(12) **United States Design Patent**  
**Cornell**

(10) **Patent No.:** **US D776,138 S**  
(45) **Date of Patent:** **\*\* Jan. 10, 2017**

(54) **DISPLAY SCREEN WITH ANIMATED GRAPHICAL USER INTERFACE**

(71) Applicant: **Facebook, Inc.**, Menlo Park, CA (US)

(72) Inventor: **Alex Douglas Cornell**, San Francisco, CA (US)

(73) Assignee: **Facebook, Inc.**, Menlo Park, CA (US)

(\*\*) Term: **15 Years**

(21) Appl. No.: **29/548,025**

(22) Filed: **Dec. 9, 2015**

(51) **LOC (10) Cl.** ..... **14-04**

(52) **U.S. Cl.**

USPC ..... **D14/485**; D14/495

(58) **Field of Classification Search**

USPC ..... D14/485-495; D5/55-62; D11/95;  
D12/176, 182; D21/334, 347, 366, 369,  
D21/375, 376, 379

CPC ..... G06F 3/048-3/04897; G06F 17/24;  
G06F 17/211; G06F 17/3005; G06F  
17/30112; G06F 17/30716; G06F  
17/30056; G06F 17/30861; G06Q 50/01;  
H04L 51/32; H04N 1/00198; H04N  
21/234336

See application file for complete search history.

(56) **References Cited**

**U.S. PATENT DOCUMENTS**

7,788,606 B2 \* 8/2010 Patel ..... G06T 11/206  
345/179  
D660,317 S \* 5/2012 Jesberger ..... D14/495

(Continued)

**OTHER PUBLICATIONS**

Anteprima Emoticon Facebook, by Russo, YouTube [online], published Oct. 12, 2015, [retrieved Oct. 28, 2016], retrieved from the Internet <URL:https://www.youtube.com/watch?v=1s-JZtfNcmw>.\*

(Continued)

*Primary Examiner* — Cathron Brooks

*Assistant Examiner* — Ian Whitmore

(74) *Attorney, Agent, or Firm* — Sheppard Mullin Richter & Hampton LLP

(57) **CLAIM**

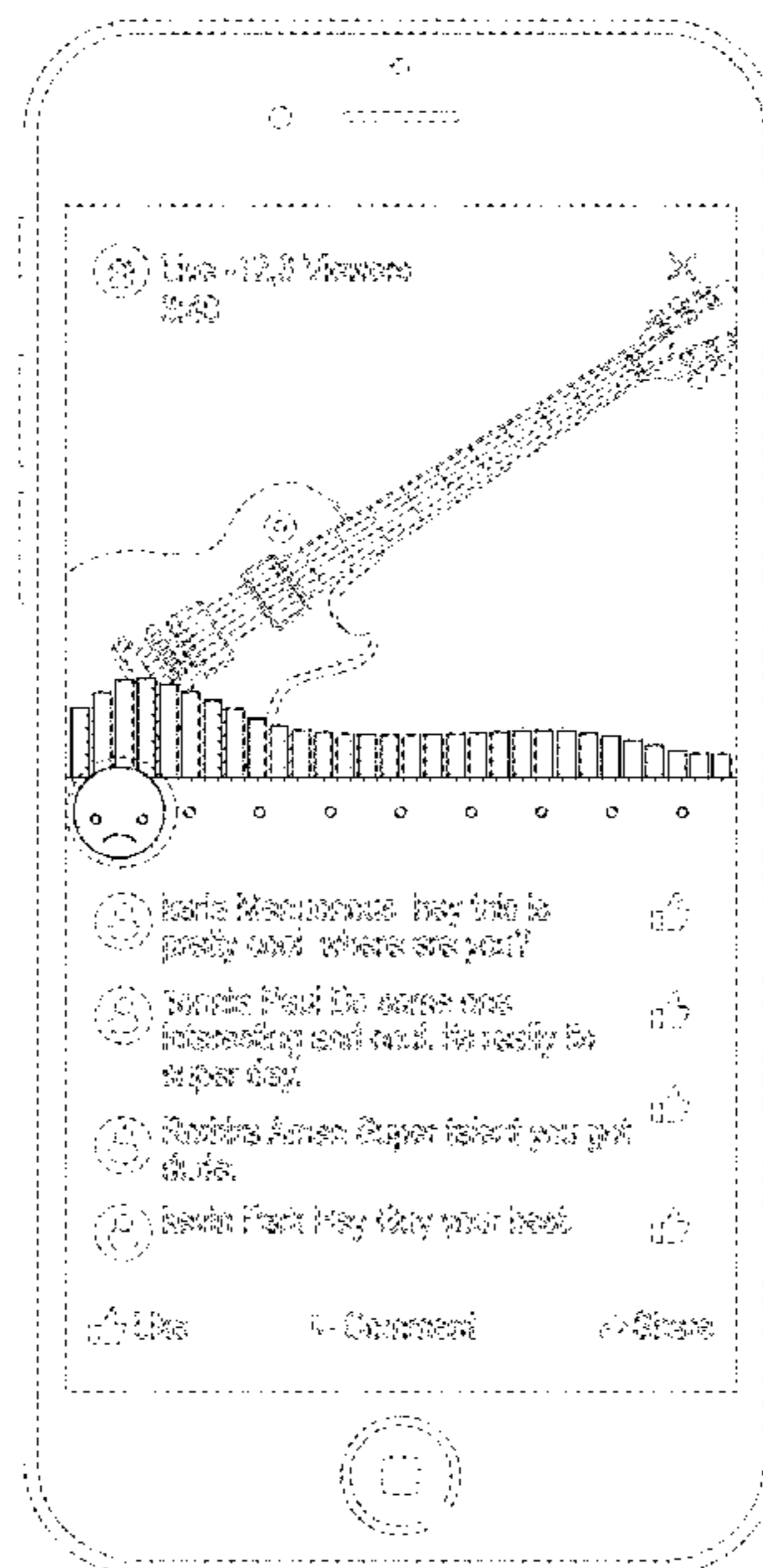
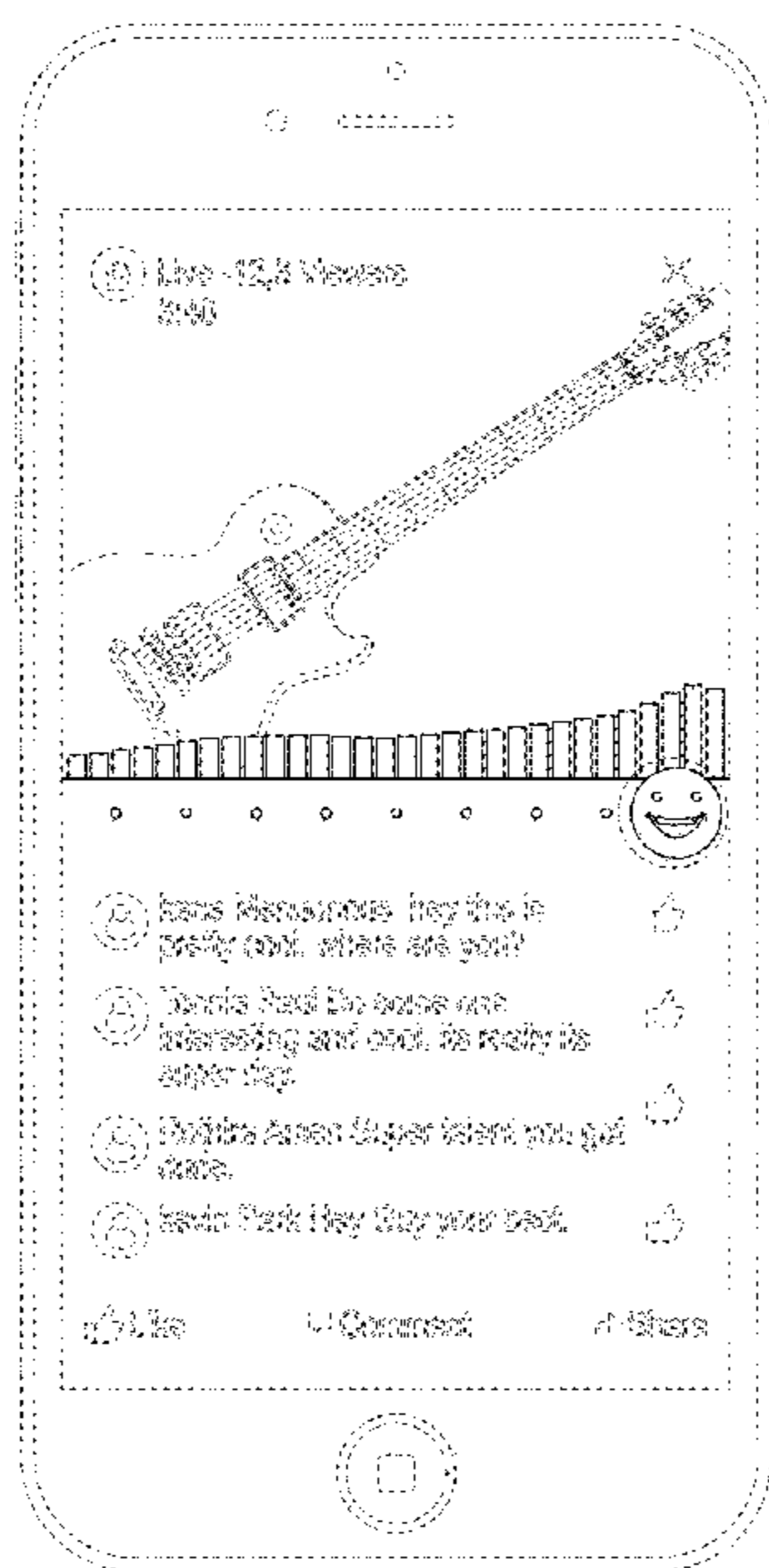
The ornamental design for a display screen with animated graphical user interface, as shown and described.

**DESCRIPTION**

FIG. 1 is a front view of a first image in a sequence for a display screen with animated graphical user interface; FIG. 2 is a front view of a second image thereof; FIG. 3 is a front view of a third image thereof; FIG. 4 is a front view of a fourth image thereof; FIG. 5 is a front view of a fifth image thereof; FIG. 6 is a front view of a sixth image thereof; FIG. 7 is a front view of a seventh image thereof; FIG. 8 is a front view of an eighth image thereof; FIG. 9 is a front view of a ninth image thereof; FIG. 10 is a front view of a tenth image thereof; and, FIG. 11 is a front view of an eleventh image thereof.

The appearance of the animated graphical user interface sequentially transitions between the images shown in FIGS. 1-11. The process or period in which an image transitions to another forms no part of the claimed design. The broken lines show a display screen, electronic device, text, and other features as environment and form no part of the claimed design.

**1 Claim, 11 Drawing Sheets**



(56)

**References Cited**

U.S. PATENT DOCUMENTS

D757,093 S \* 5/2016 Vonshak ..... D14/488  
D759,111 S \* 6/2016 Woo ..... D14/489  
D760,745 S \* 7/2016 Rawlins ..... D14/485  
D763,885 S \* 8/2016 Liu ..... D14/486  
D764,507 S \* 8/2016 Gansca ..... D14/486  
D766,914 S \* 9/2016 Talala ..... D14/485  
2014/0371887 A1\* 12/2014 Hoffman ..... G06K 9/00342  
700/91  
2015/0135132 A1\* 5/2015 Josephson ..... G06F 3/0482  
715/784  
2015/0378587 A1\* 12/2015 Falaki ..... H04L 67/02  
715/747

OTHER PUBLICATIONS

CSS Smiley, by Lopes, dribbble.com [online], published Nov. 22, 2015, retrieved from the Internet <URL:https://dribbble.com/shots/2366805CSSSmiley>.\*

Visit Recency—Bar Chart, by Stetson, dribbble.com [online], published Jan. 26, 2012, [retrieved Oct. 28, 2016], retrieved from the Internet <URL:https://dribbble.com/shots/401634-Visit-Recency-bar-chart>.\*

\* cited by examiner

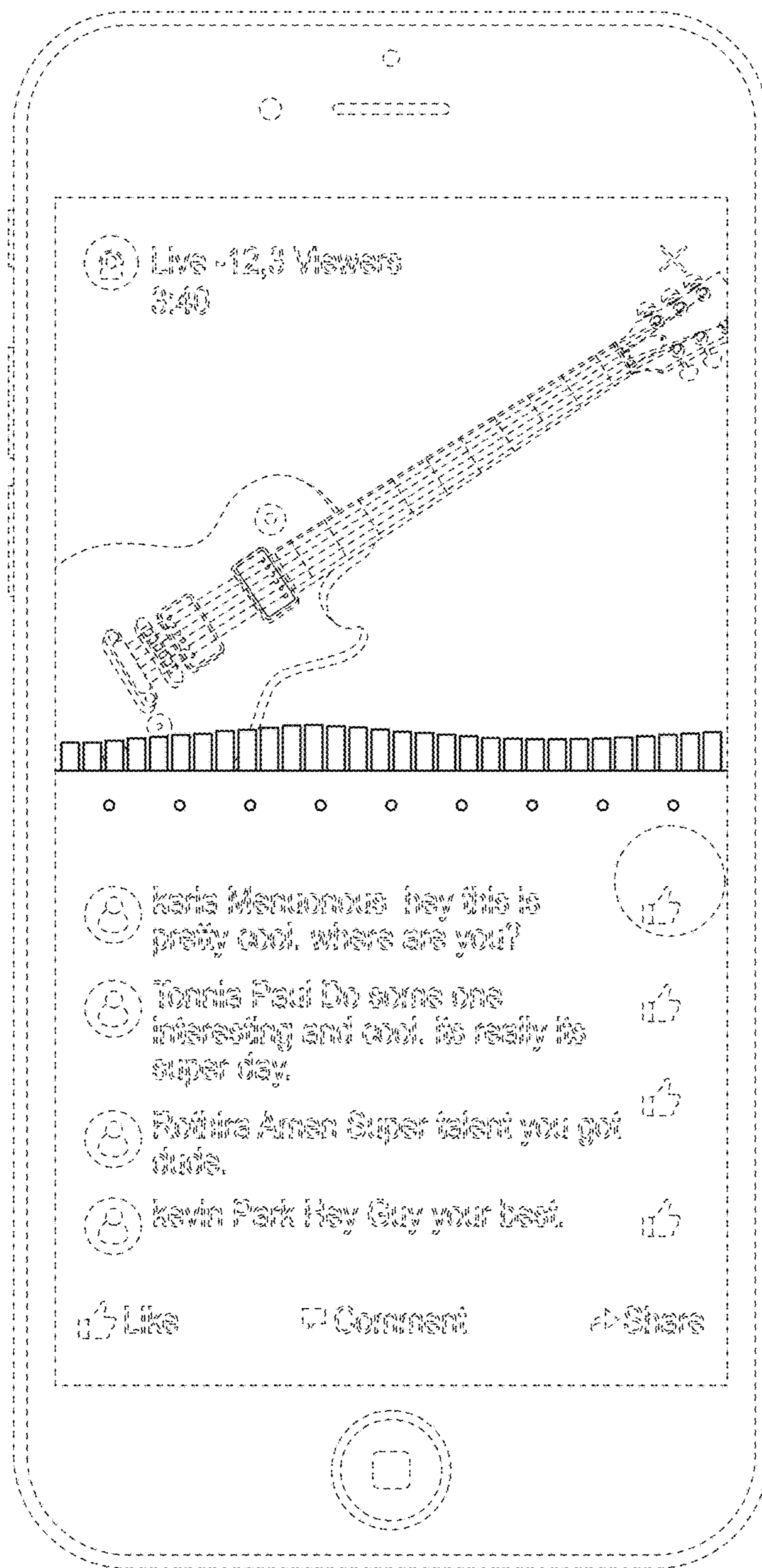


FIG. 1

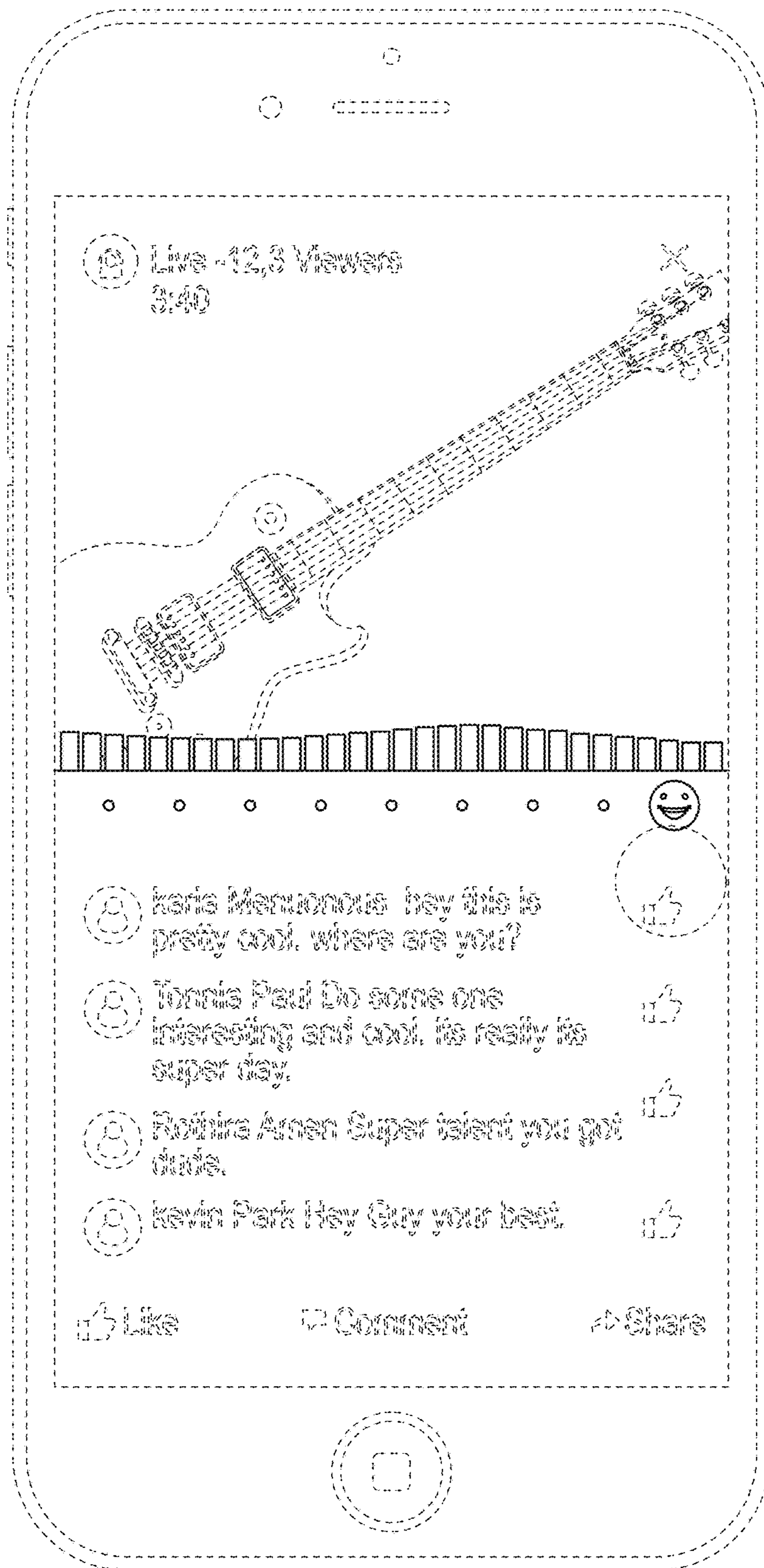


FIG. 2

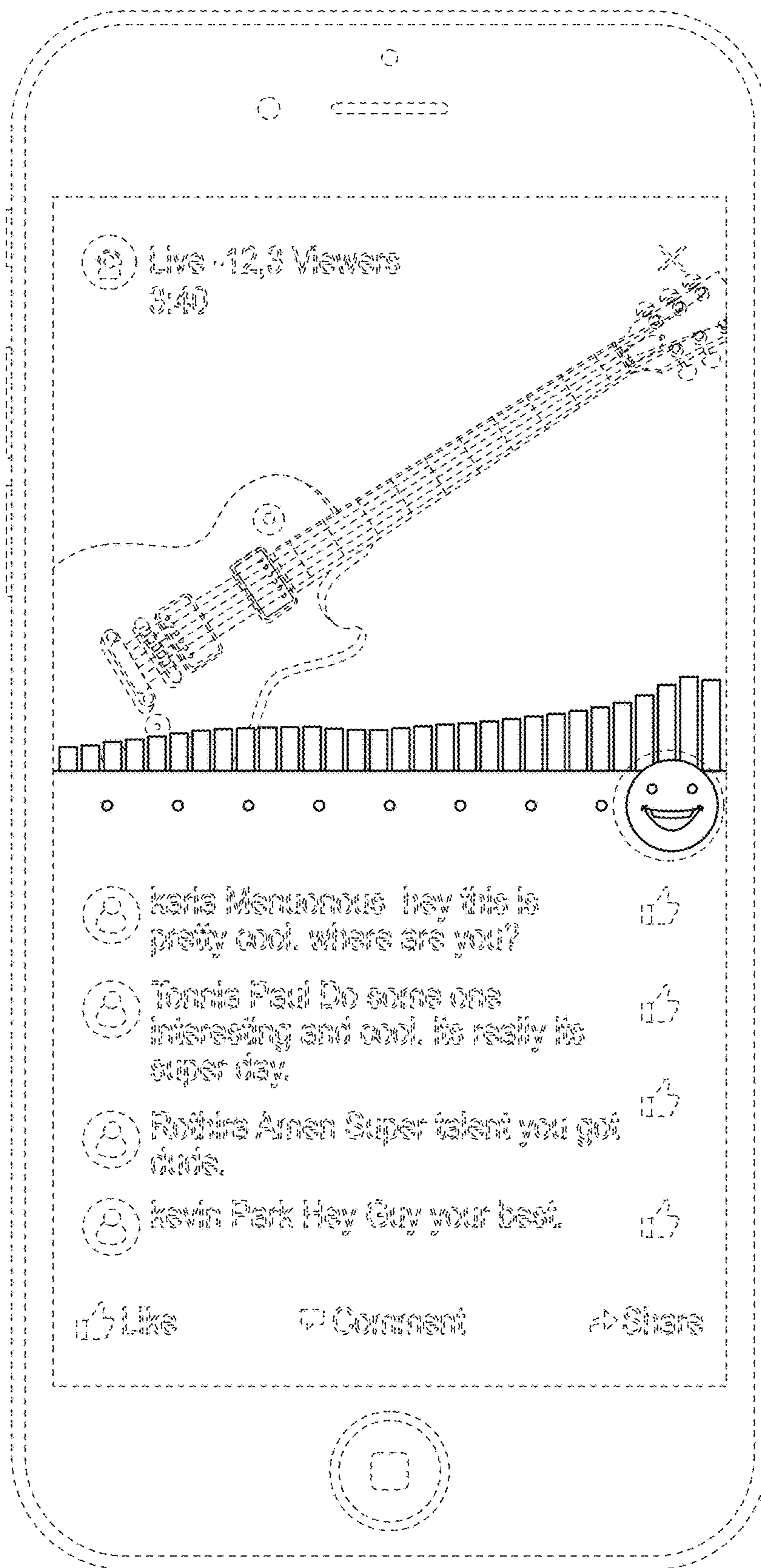


FIG. 3

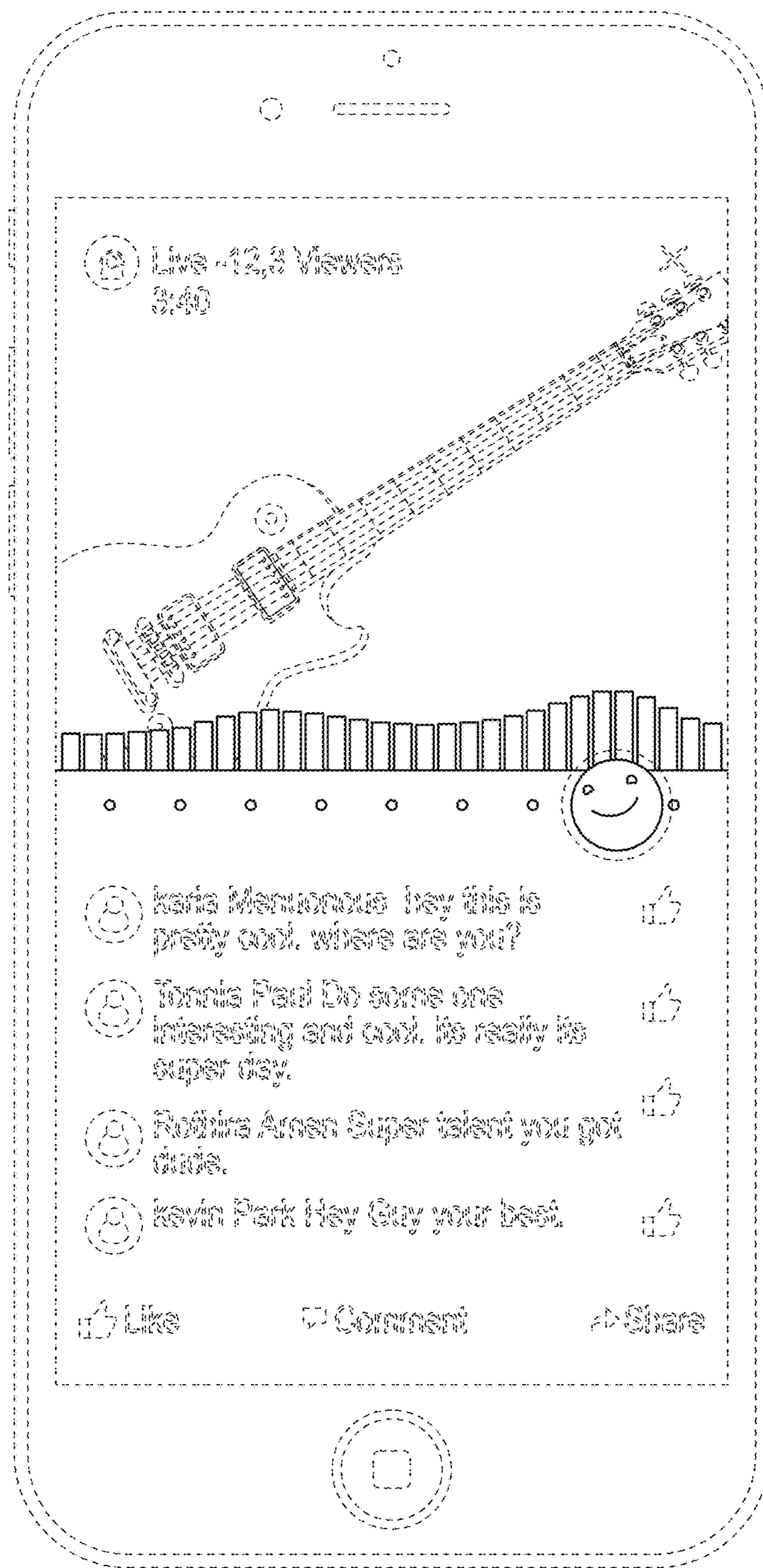


FIG. 4

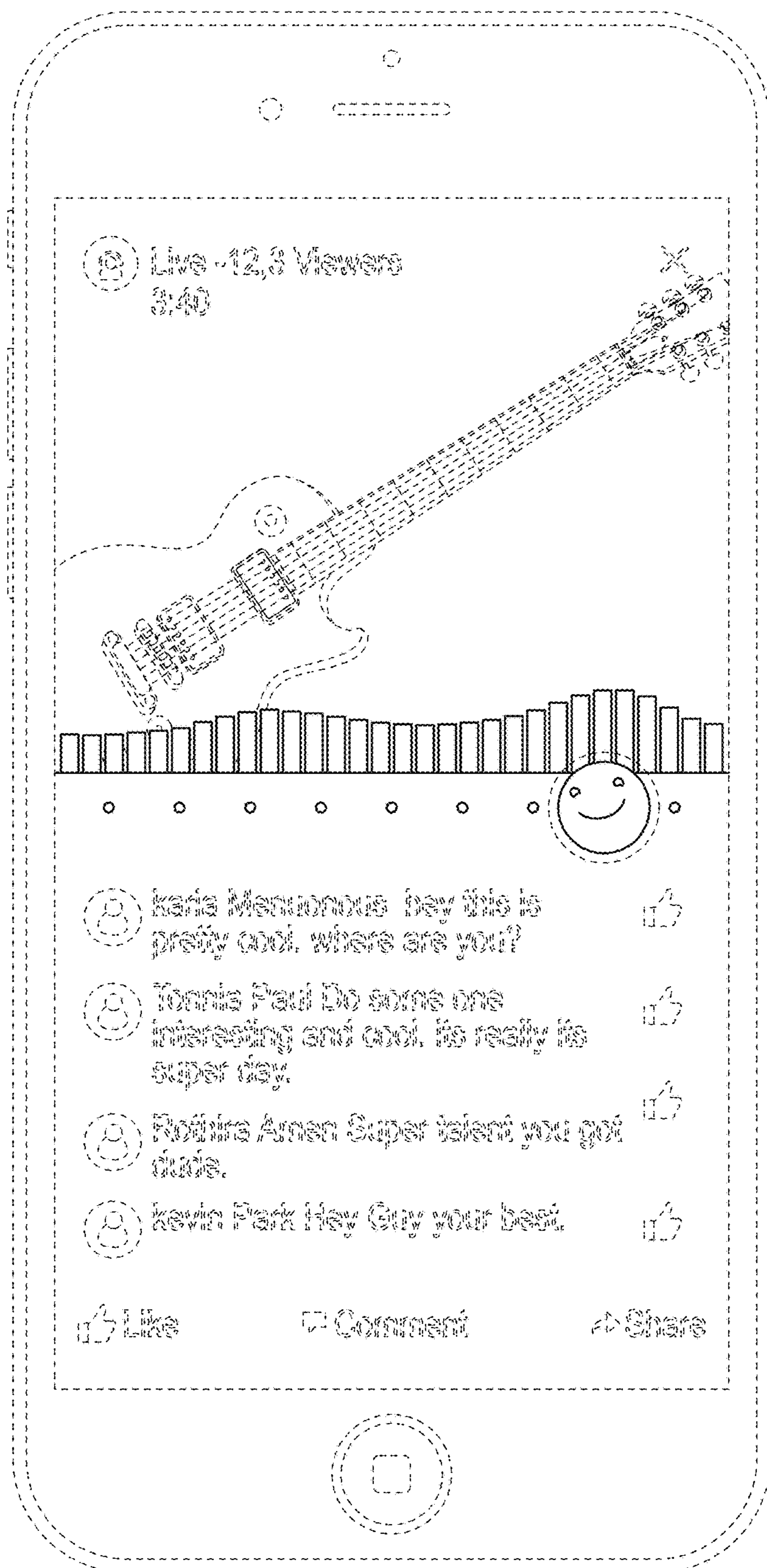


FIG. 5

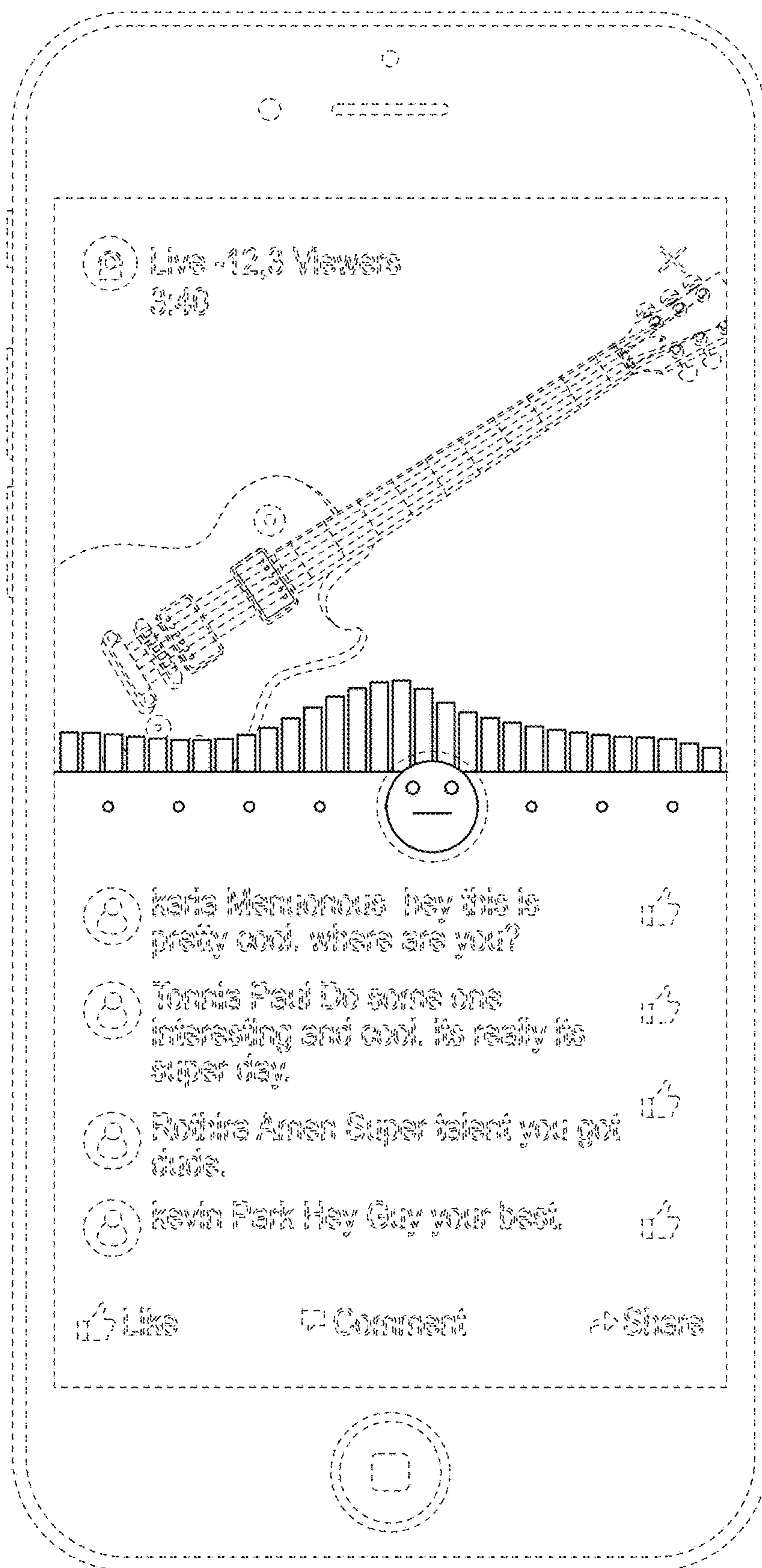


FIG. 6



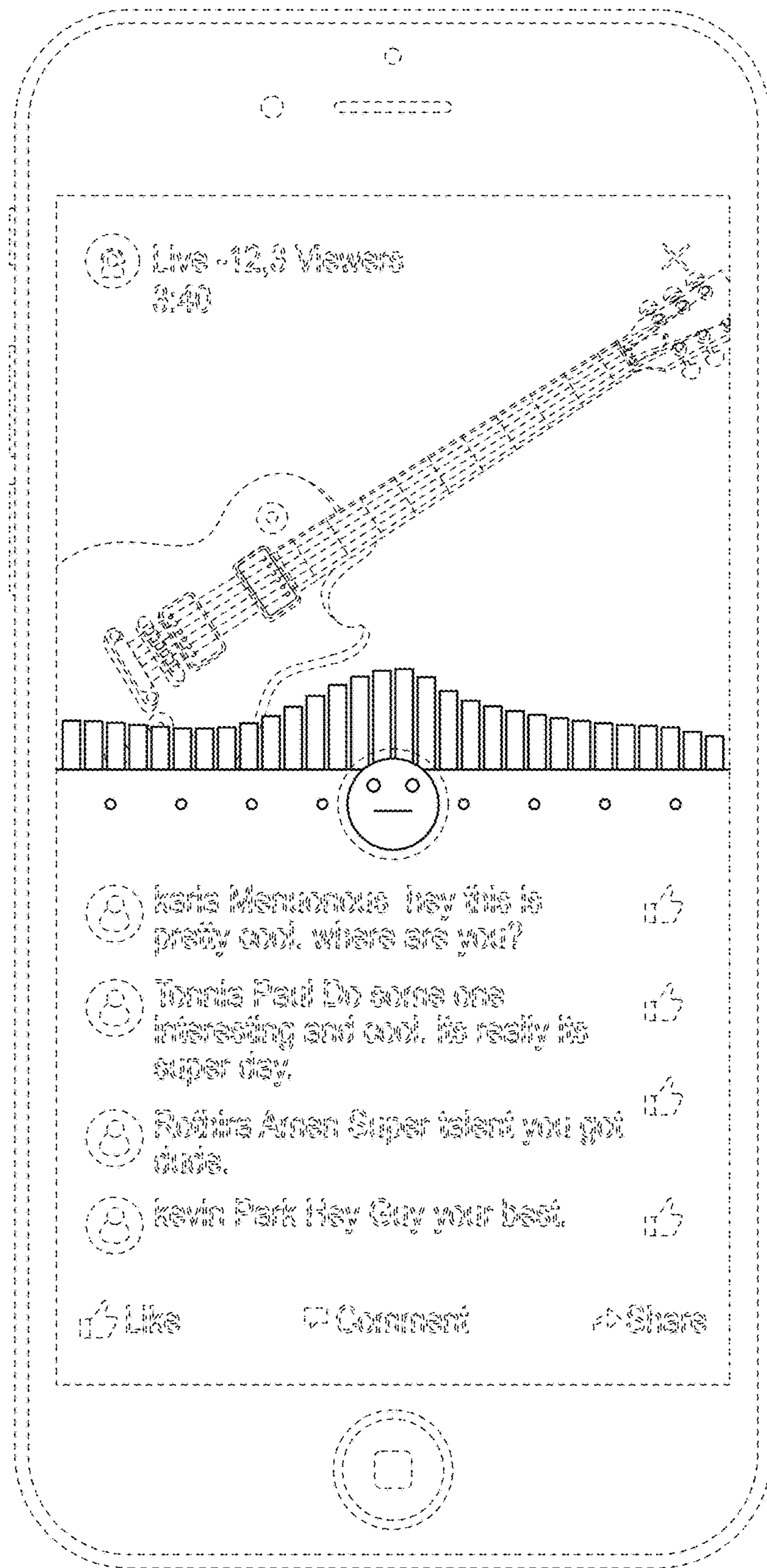


FIG. 7

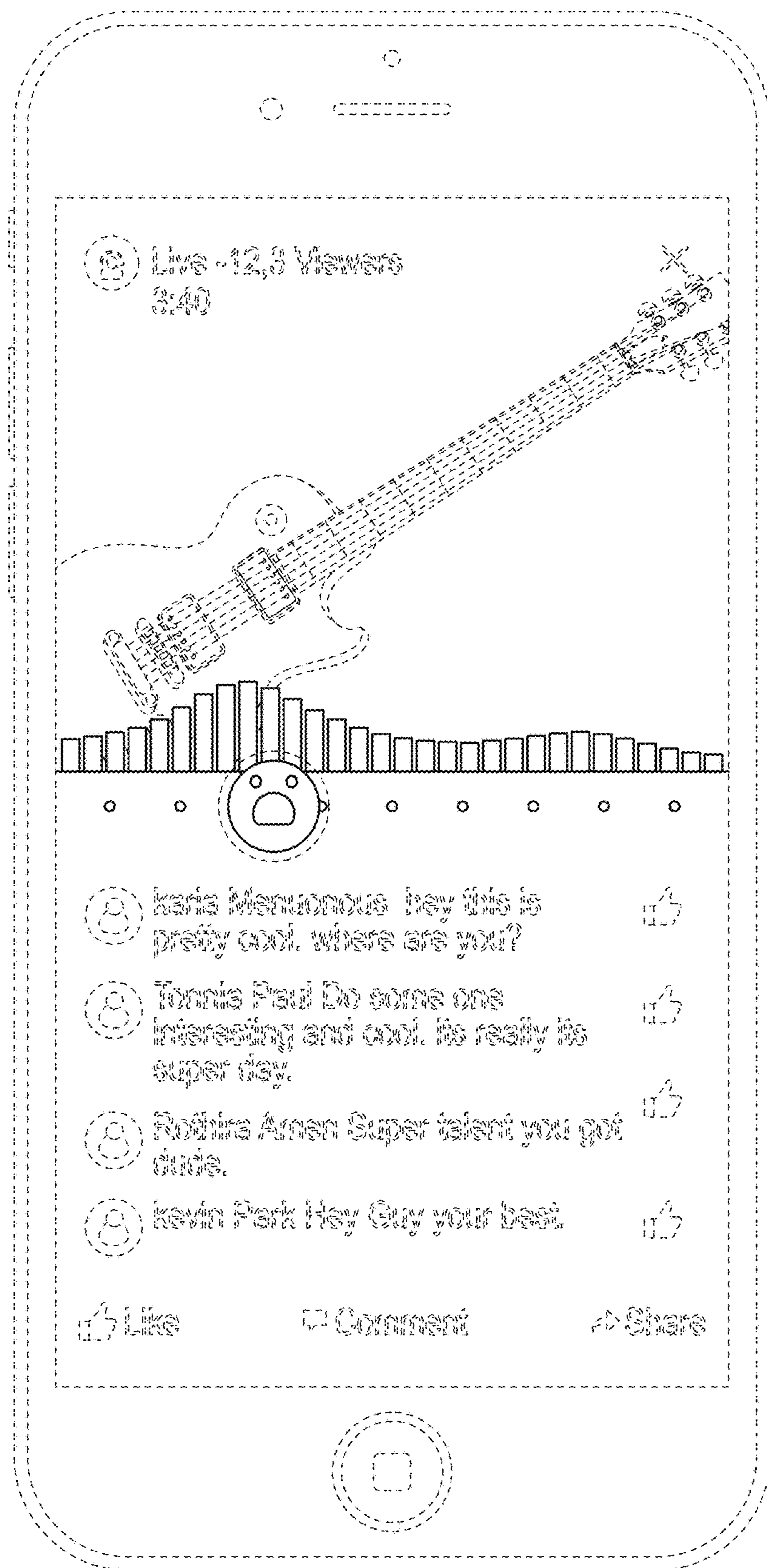


FIG. 8

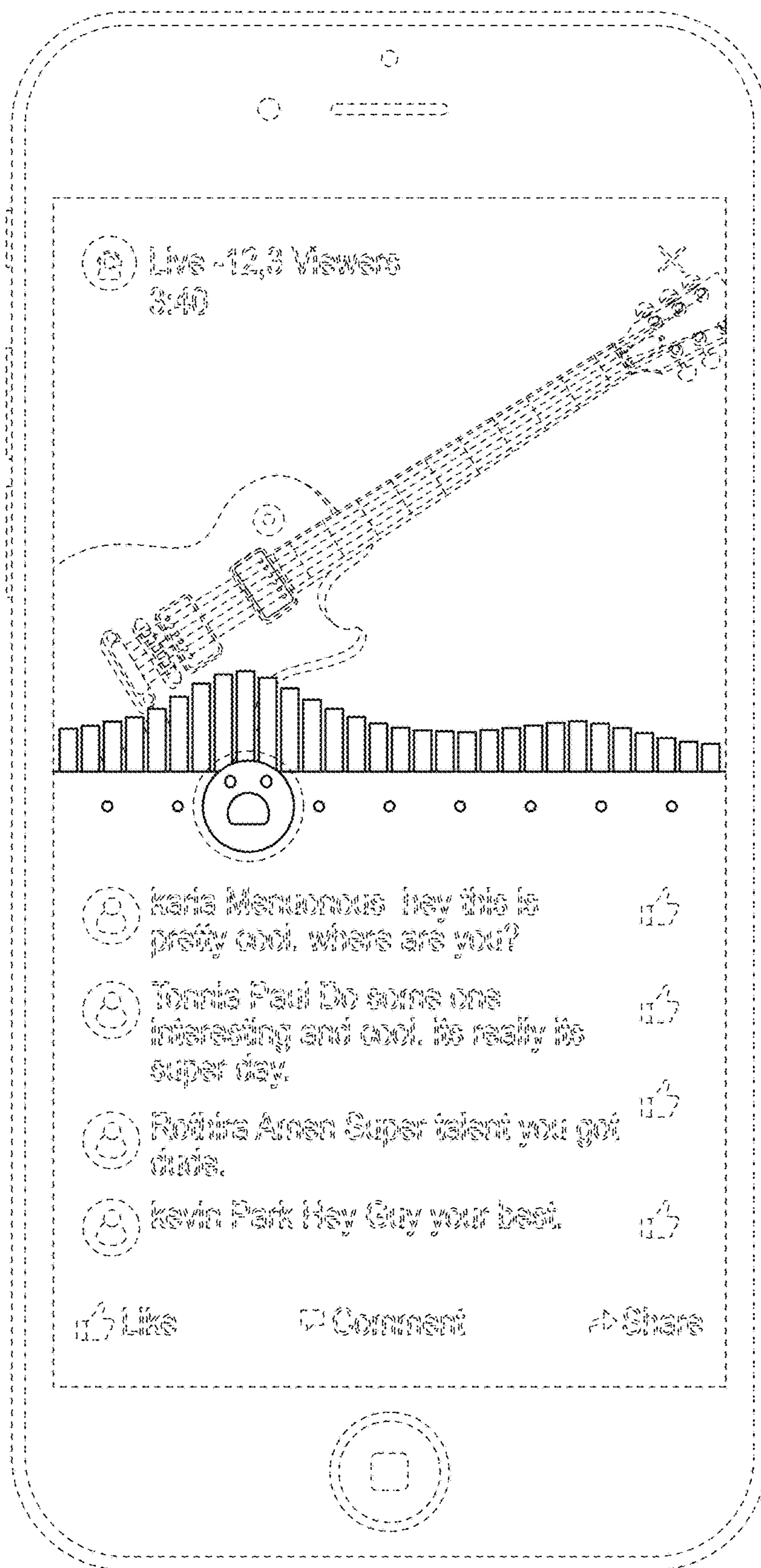


FIG. 9

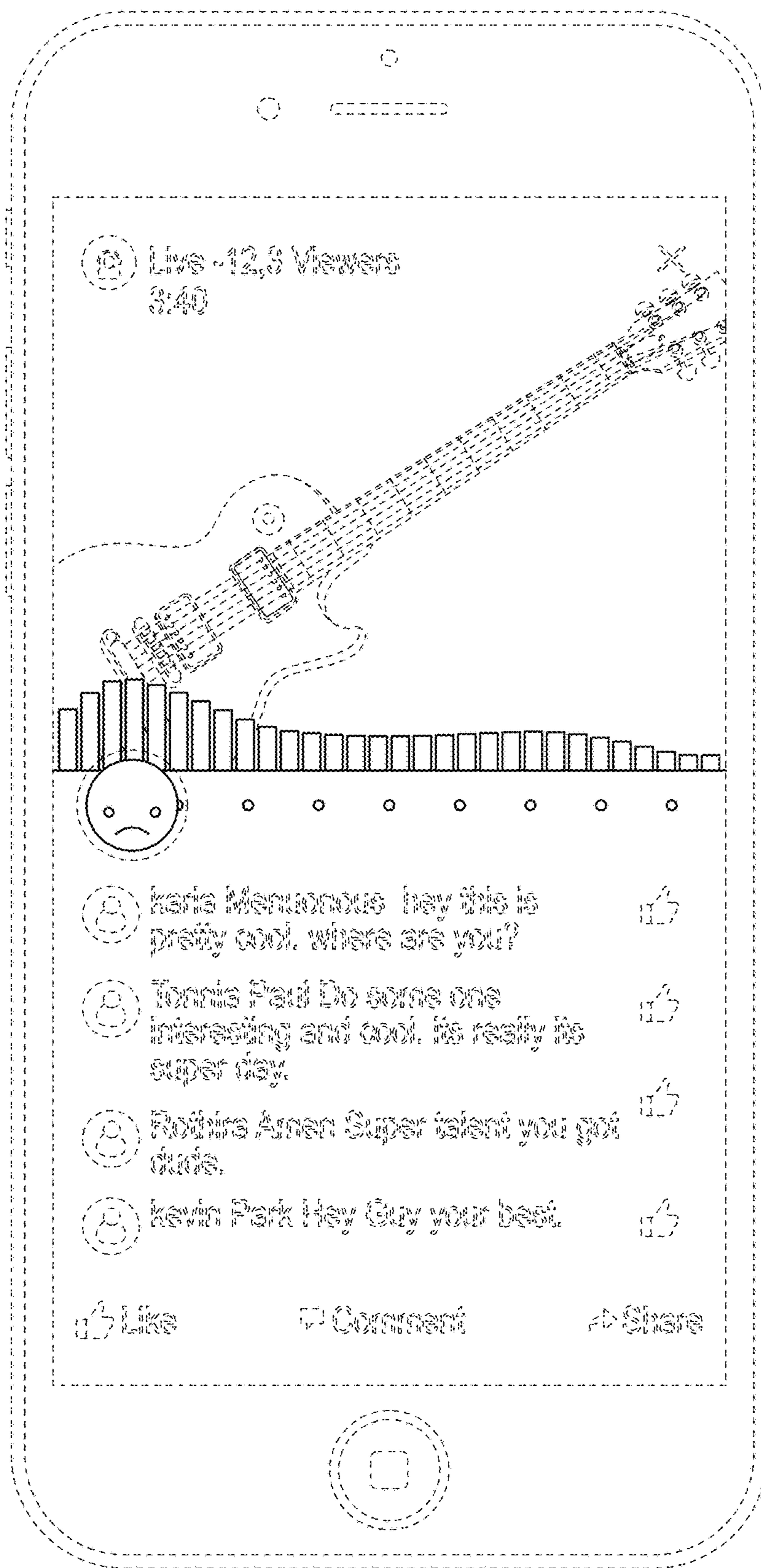


FIG. 10

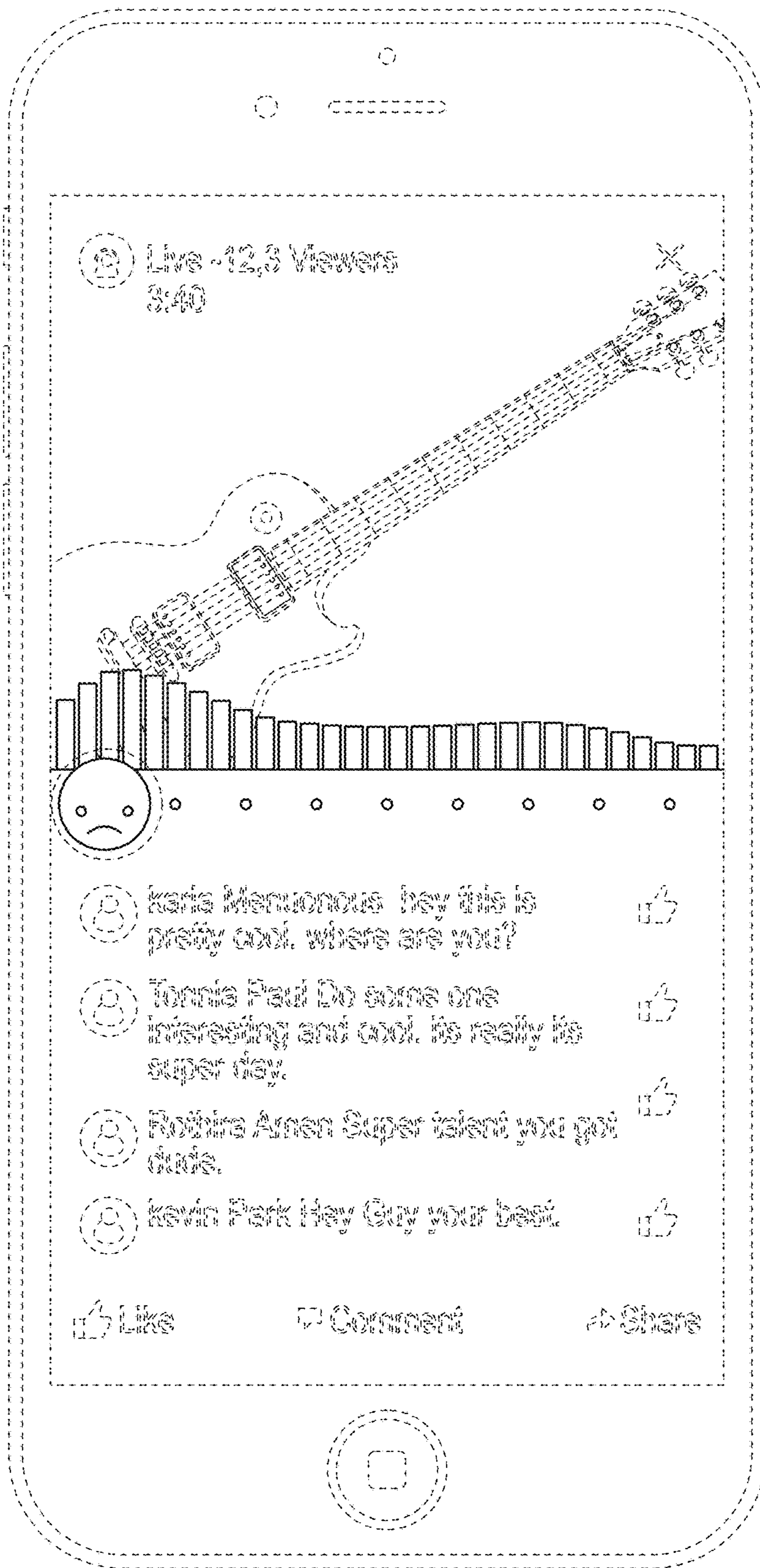


FIG. 11