



US00D776121S

(12) **United States Design Patent** (10) **Patent No.:** **US D776,121 S**  
**Mecchella et al.** (45) **Date of Patent:** **\*\* Jan. 10, 2017**

(54) **ELECTRONIC DEVICE COVER**

(74) *Attorney, Agent, or Firm* — Lee & Hayes, PLLC

(71) Applicant: **Amazon Technologies, Inc.**, Seattle, WA (US)

(57) **CLAIM**

The ornamental design for an electronic device cover, as shown and described.

(72) Inventors: **Monica Liane Mecchella**, San Francisco, CA (US); **Jesse Wheeler Moore**, Oakland, CA (US); **Christopher Green**, San Francisco, CA (US)

**DESCRIPTION**

(73) Assignee: **Amazon Technologies, Inc.**, Seattle, WA (US)

FIG. 1 is a first perspective view of a first embodiment of an electronic device cover in a first position, taken from above; FIG. 2 is a second perspective view of the first embodiment of the electronic device cover of FIG. 1, taken from below; FIG. 3 is a front view of the first embodiment of the electronic device cover of FIG. 1; FIG. 4 is a back view of the first embodiment of the electronic device cover of FIG. 1; FIG. 5 is a right-side view of the first embodiment of the electronic device cover of FIG. 1; FIG. 6 is a left-side view of the first embodiment of the electronic device cover of FIG. 1; FIG. 7 is a bottom view of the first embodiment of the electronic device cover of FIG. 1; FIG. 8 is a top view of the first embodiment of the electronic device cover of FIG. 1; FIG. 9 is a first perspective view of a second embodiment of an electronic device cover in a first position, taken from above; FIG. 10 is a second perspective view of the second embodiment of the electronic device cover of FIG. 9, taken from below; FIG. 11 is a front view of the second embodiment of the electronic device cover of FIG. 9; FIG. 12 is a back view of the second embodiment of the electronic device cover of FIG. 9; FIG. 13 is a right-side view of the second embodiment of the electronic device cover of FIG. 9; FIG. 14 is a left-side view of the second embodiment of the electronic device cover of FIG. 9; FIG. 15 is a bottom view of the second embodiment of the electronic device cover of FIG. 9; and, FIG. 16 is a top view of the second embodiment of the electronic device cover of FIG. 9.

(\*\*) Term: **15 Years**

(21) Appl. No.: **29/535,999**

(22) Filed: **Aug. 12, 2015**

(51) **LOC (10) Cl.** ..... **14-02**

(52) **U.S. Cl.**  
USPC ..... **D14/440**

(58) **Field of Classification Search**  
USPC ... D14/250, 440, 447; 206/45.23, 320, 45.2; 361/679.55; 294/25; 224/218

(Continued)

(56) **References Cited**

**U.S. PATENT DOCUMENTS**

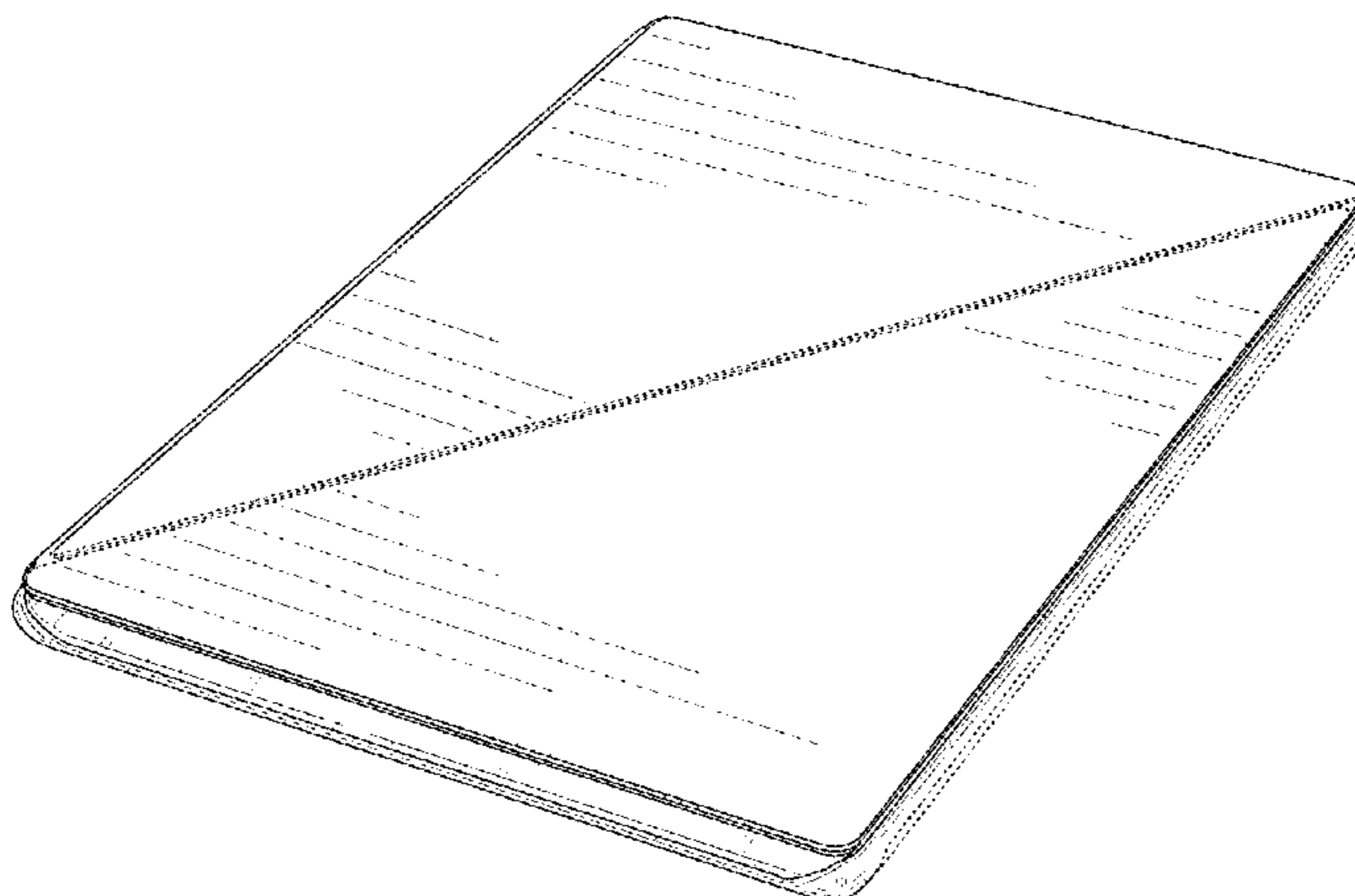
D546,878 S \* 7/2007 Bharma ..... D19/26  
D624,304 S \* 9/2010 Danze ..... D3/201  
(Continued)

**OTHER PUBLICATIONS**

Korean Office Action mailed Jul. 13, 2016 for Korean Design Application No. 30-2016-5883 M001, a counterpart foreign application of Design U.S. Appl. No. 29/535,999, 2 pages.  
(Continued)

*Primary Examiner* — Cynthia Underwood

(Continued)



The broken lines showing portions of the electronic device cover form no part of the claimed design.

**1 Claim, 12 Drawing Sheets**

**(58) Field of Classification Search**

CPC .... G06F 1/1628; G06F 1/1613; G06F 1/1626;  
A47B 23/044

See application file for complete search history.

**(56)**

**References Cited**

U.S. PATENT DOCUMENTS

D628,374 S	*	12/2010	Lee	.....	D3/201
D641,348 S	*	7/2011	Kim	.....	D14/250
D652,829 S	*	1/2012	Kim	.....	D14/250
D654,069 S	*	2/2012	Kwon	.....	D14/250
D657,354 S	*	4/2012	Kim	.....	D14/250
D659,139 S	*	5/2012	Gengler	.....	D14/392
D669,480 S	*	10/2012	Piedra	.....	D14/440
D674,800 S	*	1/2013	Kim	.....	D14/440
D702,673 S	*	4/2014	Murchison	.....	D14/250
D712,393 S	*	9/2014	Kim	.....	D14/250
D723,038 S	*	2/2015	Kim	.....	D14/440
D727,331 S	*	4/2015	Curran-Blaney	.....	D14/440
D733,111 S	*	6/2015	Kim	.....	D14/250
D733,694 S	*	7/2015	Kim	.....	D14/250

D741,309 S	*	10/2015	Kim	.....	D14/250
D744,493 S	*	12/2015	Kim	.....	D14/440
D745,525 S	*	12/2015	Bates	.....	D14/440
D748,634 S	*	2/2016	Hofer	.....	D14/440
D750,086 S	*	2/2016	Langhein	.....	D14/440
2011/0290687	A1*	12/2011	Han	.....	A45C 3/02 206/320
2013/0015088	A1*	1/2013	Wu	.....	A45C 11/00 206/320
2013/0214661	A1*	8/2013	McBroom	.....	G06F 1/1667 312/325
2013/0264459	A1*	10/2013	McCosh	.....	G06F 1/1626 248/688

OTHER PUBLICATIONS

Korean Office Action mailed Jul. 13, 2016 for Korean Design Application No. 30-2016-5883 M002, a counterpart foreign application of Design U.S. Appl. No. 29/535,999.  
Canadian Office Action mailed Jun. 10, 2016 for Canadian Design Application No. 166791, a counterpart foreign design application of Design U.S. Appl. No. 29/535,999, 2 pages.  
Indian Office Action mailed May 27, 2016 for Indian design application No. 280179, a counterpart foreign design application of design U.S. Appl. No. 29/535,999, 10 pages.  
Translated Japanese Office Action mailed Aug. 12, 2016 for Japanese design application No. 2016-002666, a counterpart foreign application of design U.S. Appl. No. 29/535,999, 4 pages.

\* cited by examiner

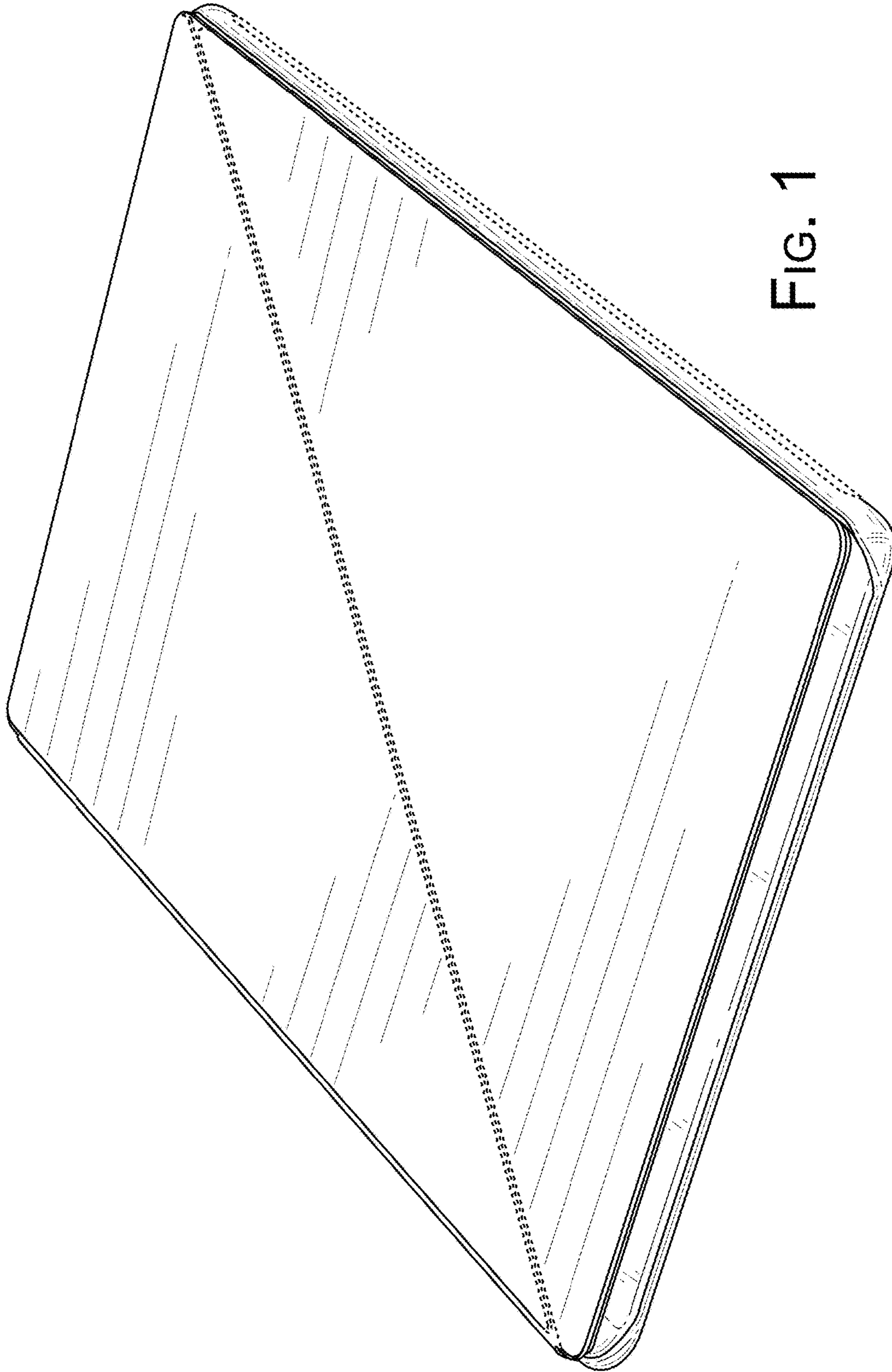


FIG. 1

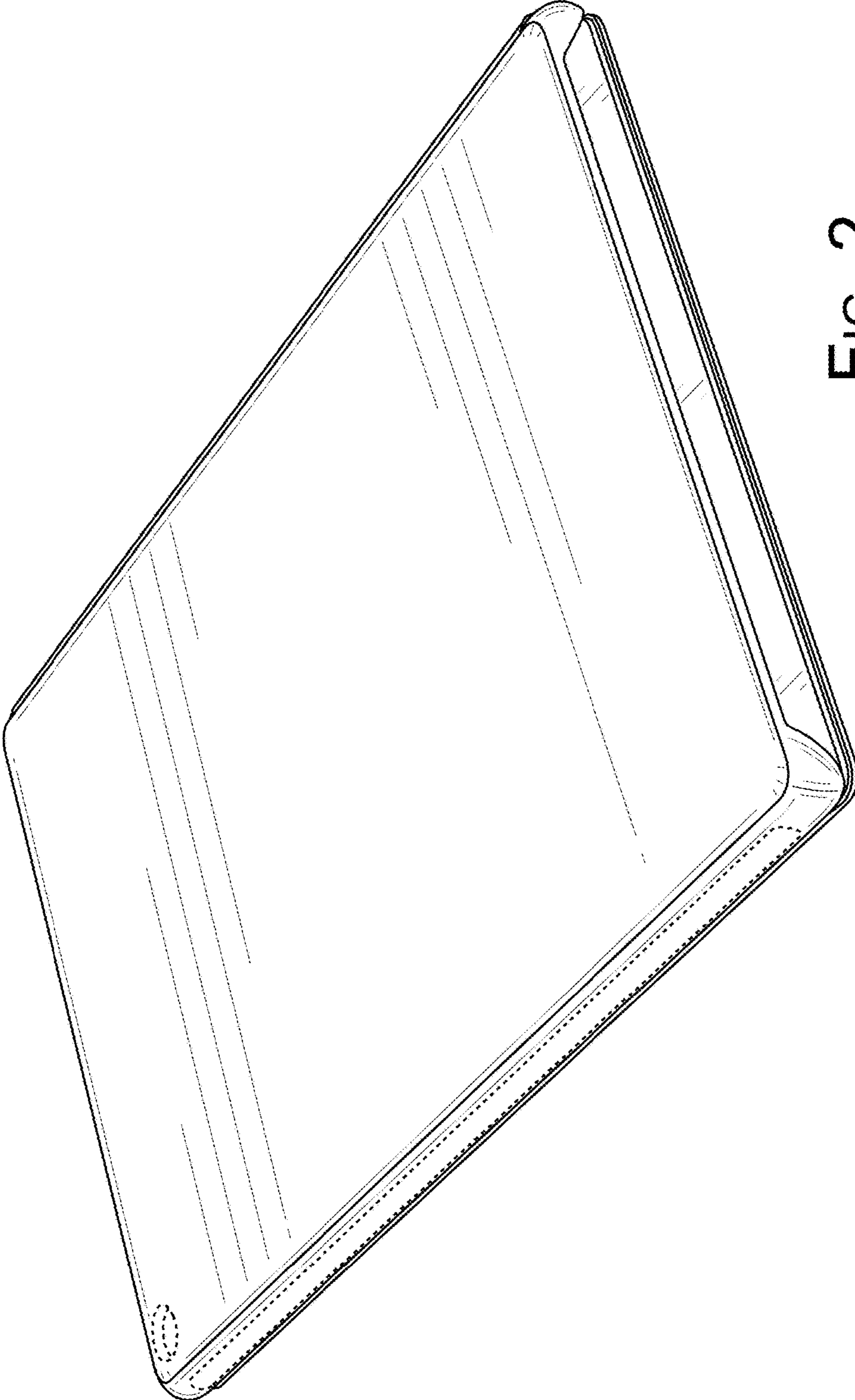


FIG. 2

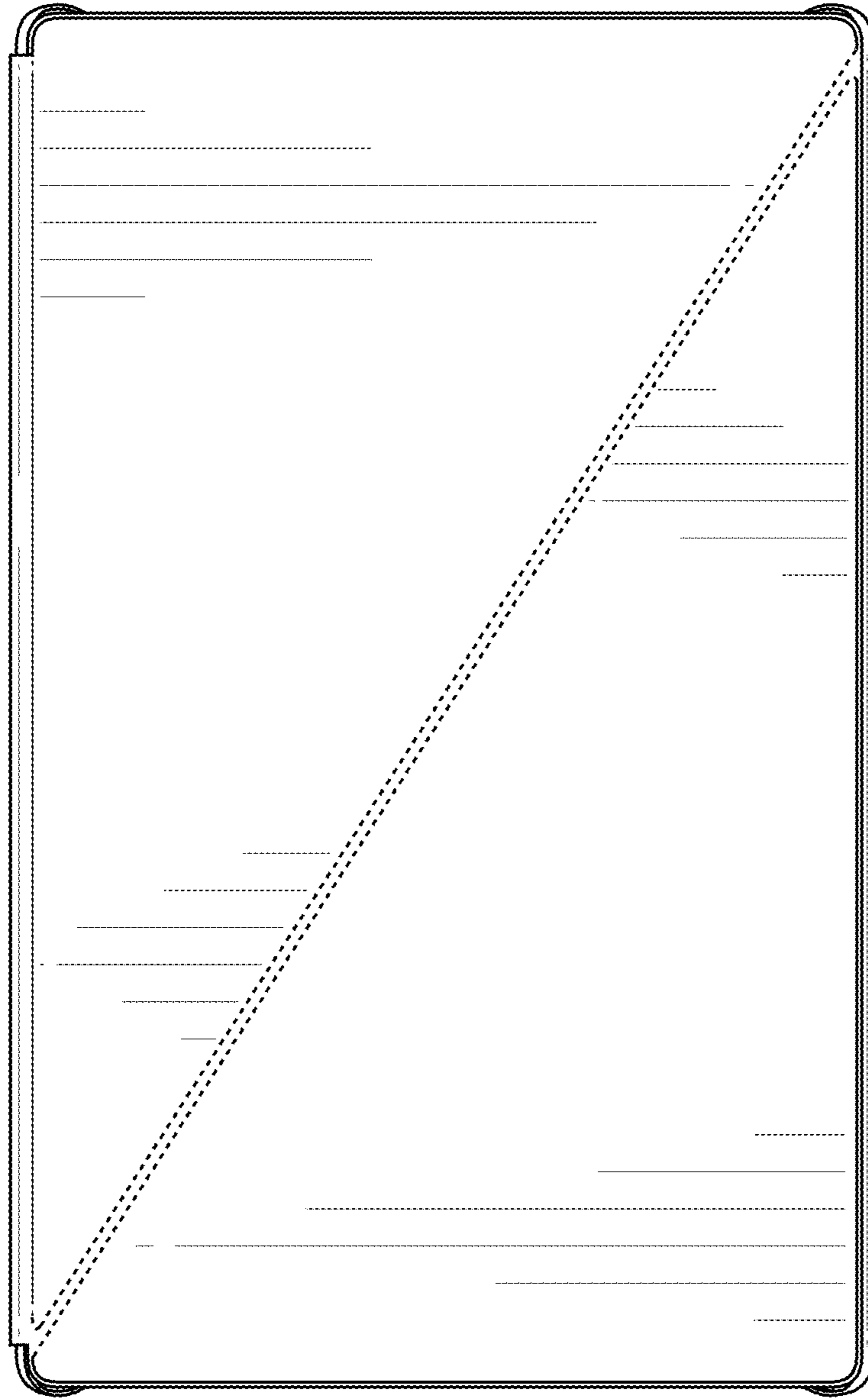


FIG. 3

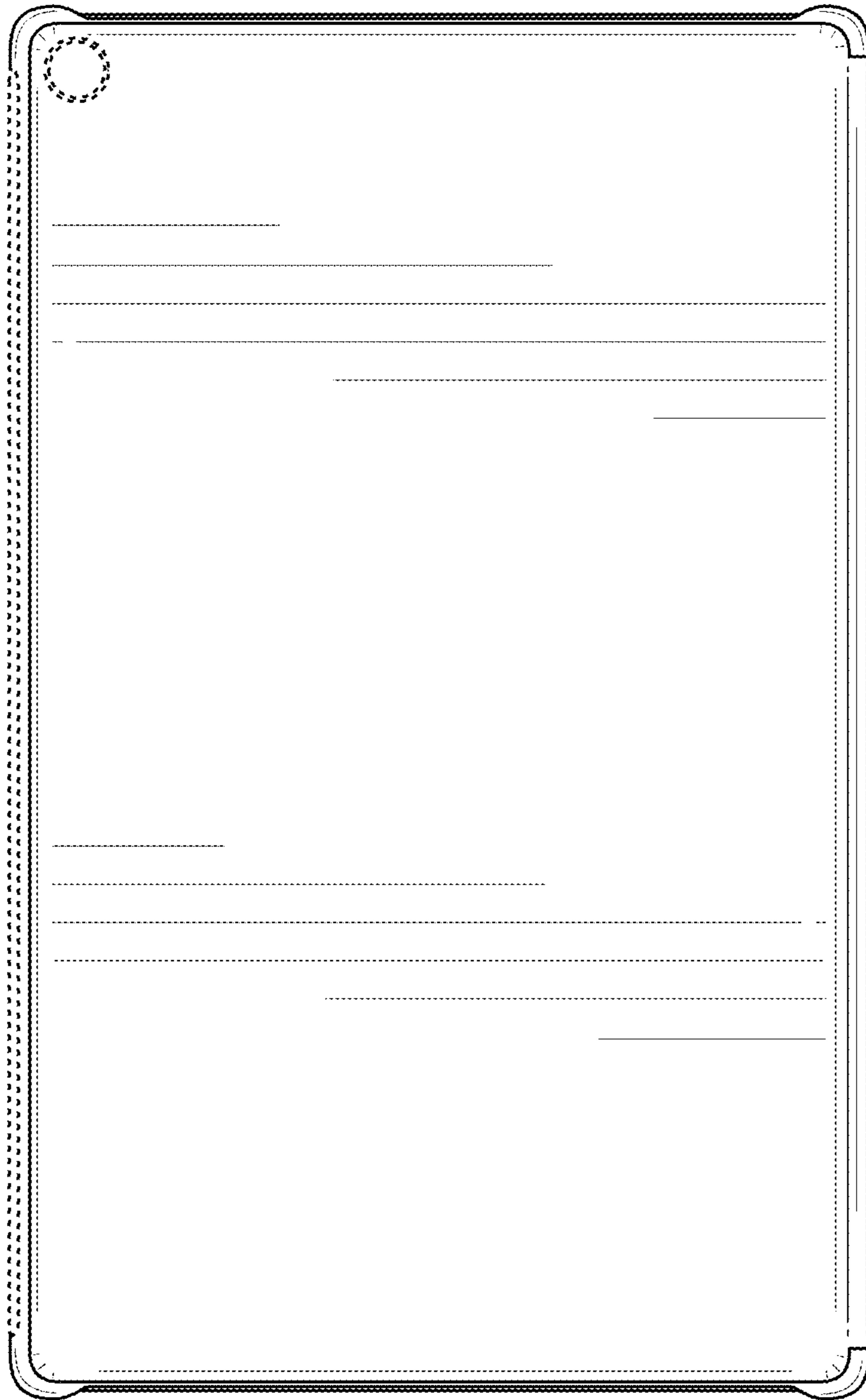


FIG. 4



FIG. 5

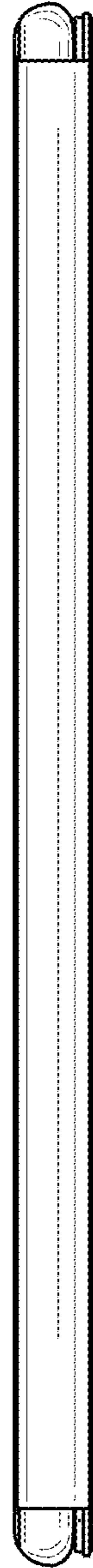


FIG. 6



FIG. 7



FIG. 8



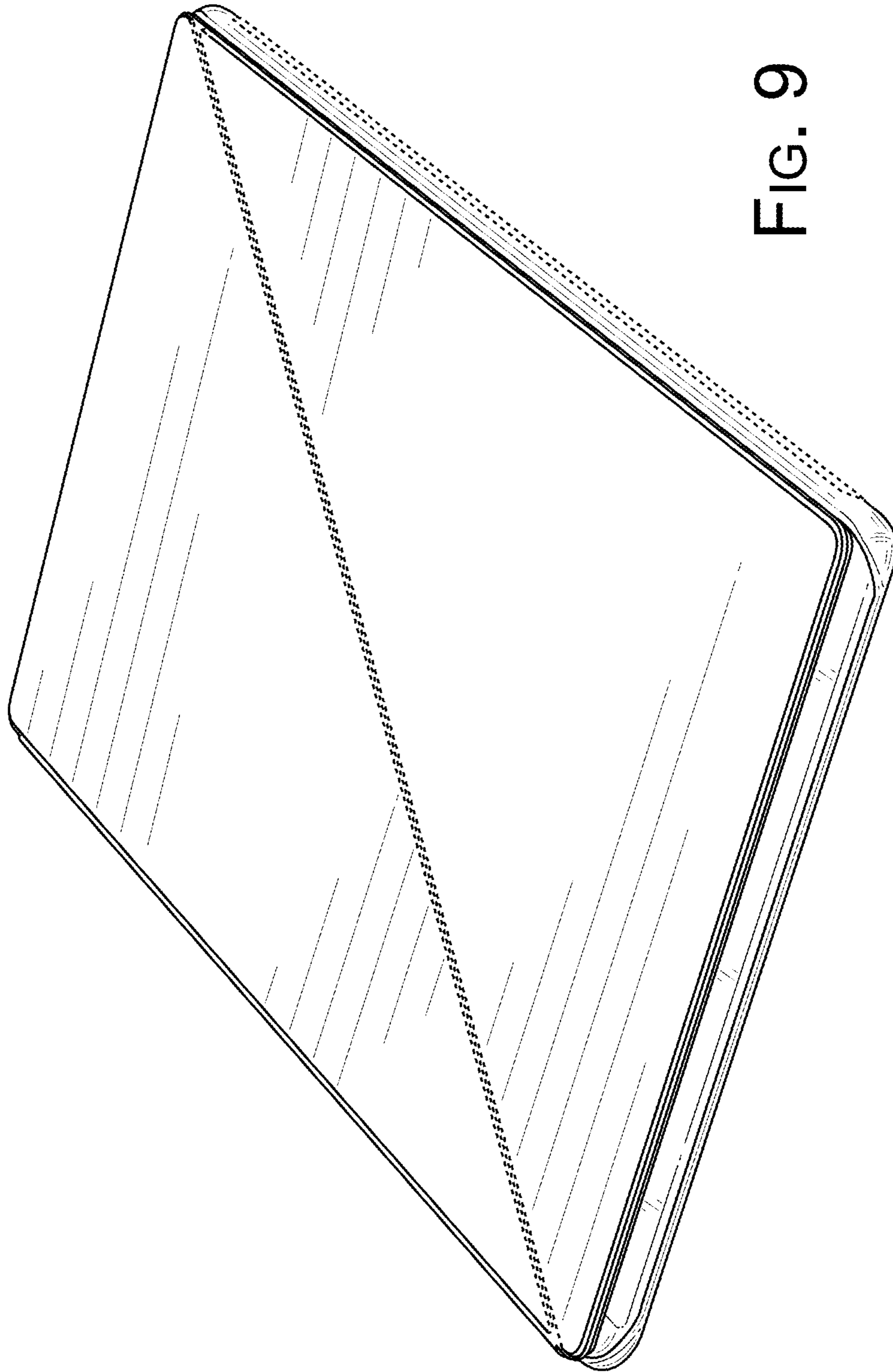


FIG. 9

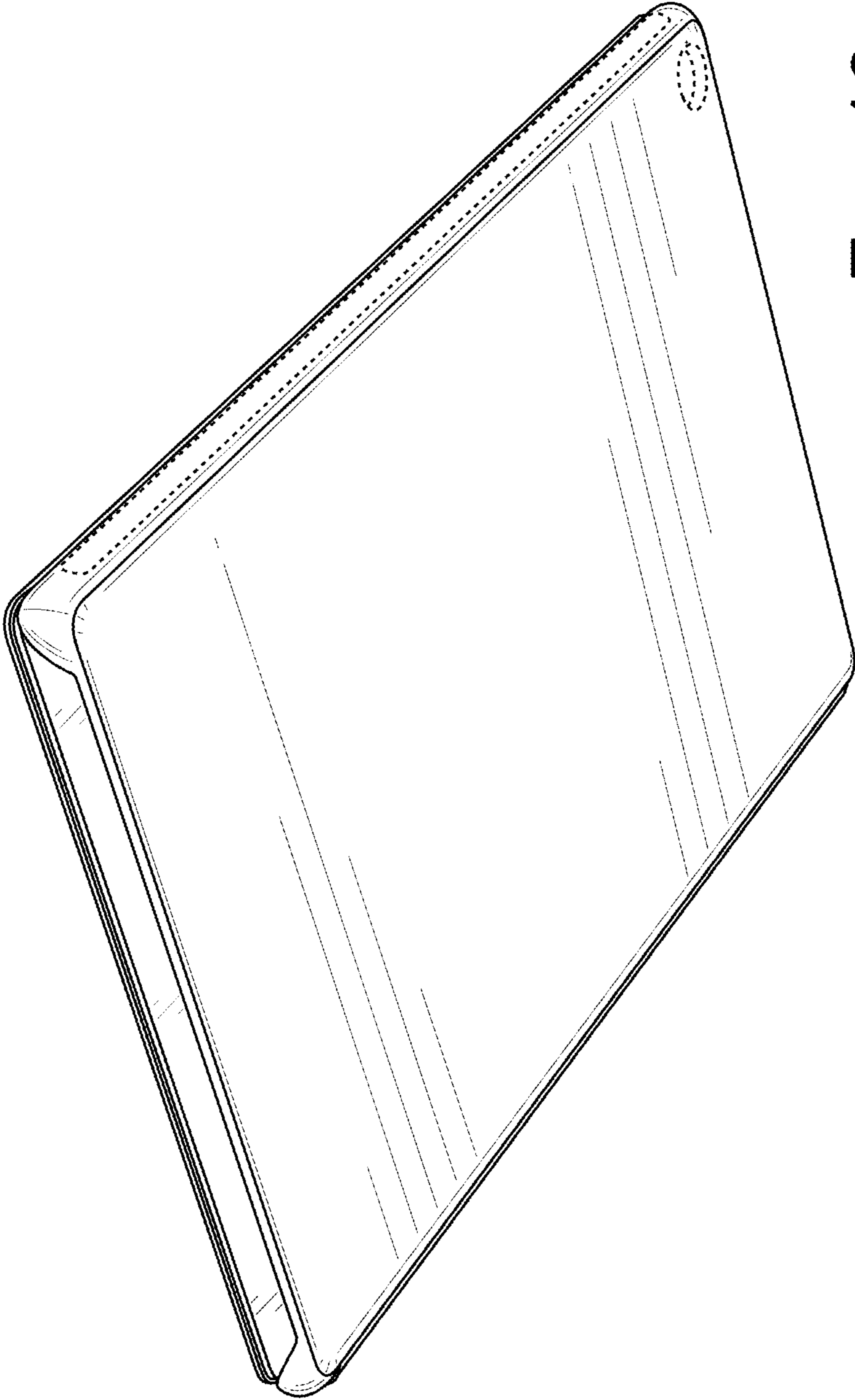


FIG. 10

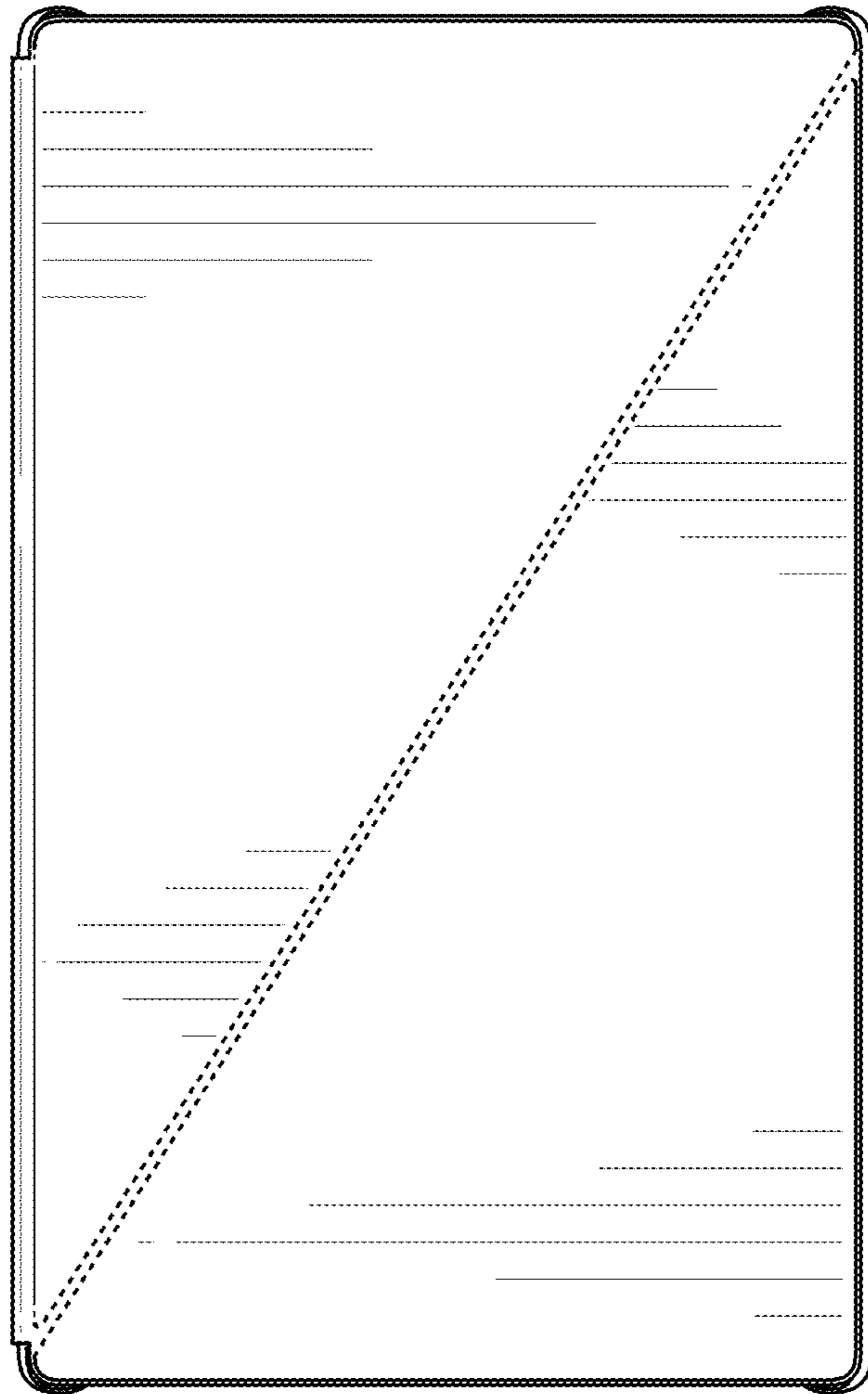


FIG. 11

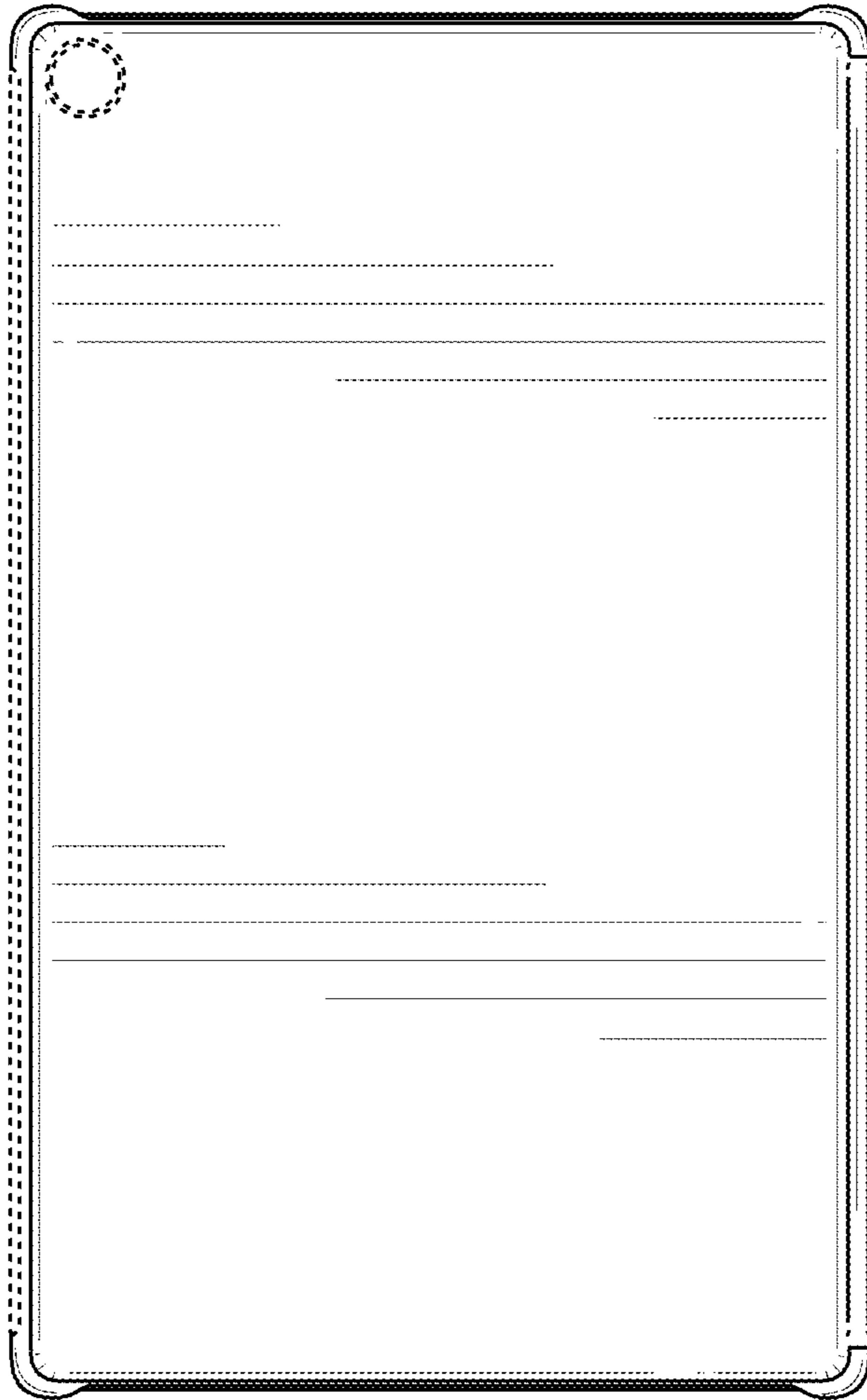


FIG. 12



FIG. 13



FIG. 14



FIG. 15



FIG. 16