



US00D776113S

(12) **United States Design Patent**
Bierach et al.

(10) **Patent No.:** **US D776,113 S**
(45) **Date of Patent:** **** Jan. 10, 2017**

- (54) **ACCESS CONTROL INTERFACE**
- (71) Applicant: **Farpointe Data, Inc.**, Sunnyvale, CA (US)
- (72) Inventors: **Kirk B. Bierach**, Saratoga, CA (US);
Scott E. Lindley, Redwood City, CA (US)
- (73) Assignee: **Farpointe Data, Inc.**, Sunnyvale, CA (US)
- (**) Term: **15 Years**
- (21) Appl. No.: **29/505,648**
- (22) Filed: **Dec. 23, 2015**
- (51) **LOC (10) Cl.** **14-02**
- (52) **U.S. Cl.**
USPC **D14/383**
- (58) **Field of Classification Search**
USPC D14/356–358, 383–385, 420, 426, 427,
D14/432–439, 447, 453, 454, 217, 253,
D14/299, 307; D13/107, 108, 133, 146,
D13/147, 152, 154, 156, 158, 162, 162.1,
D13/168, 173, 177, 102; 235/441, 451,
235/492, 380, 439, 375; 361/679.31, 600,
361/679.01, 679.02
CPC G07C 9/00103; G07C 9/00039; G07C
9/00904; G06K 5/00; G06K 7/01
See application file for complete search history.

- D648,722 S * 11/2011 Meyerhoffer D14/341
- D673,952 S * 1/2013 Toda D14/383
- D727,321 S * 4/2015 LaBorde D14/383
- D727,901 S * 4/2015 Nishimura D14/383
- D733,138 S * 6/2015 Moammer D14/203.7
- D742,877 S * 11/2015 Tsuchida D14/383
- D749,075 S * 2/2016 Brown D14/383
- D761,260 S * 7/2016 Luo D14/383

* cited by examiner

Primary Examiner — Austin Murphy

(74) *Attorney, Agent, or Firm* — Nixon Peabody LLP

(57) **CLAIM**

The ornamental design for an access control interface, as shown and described.

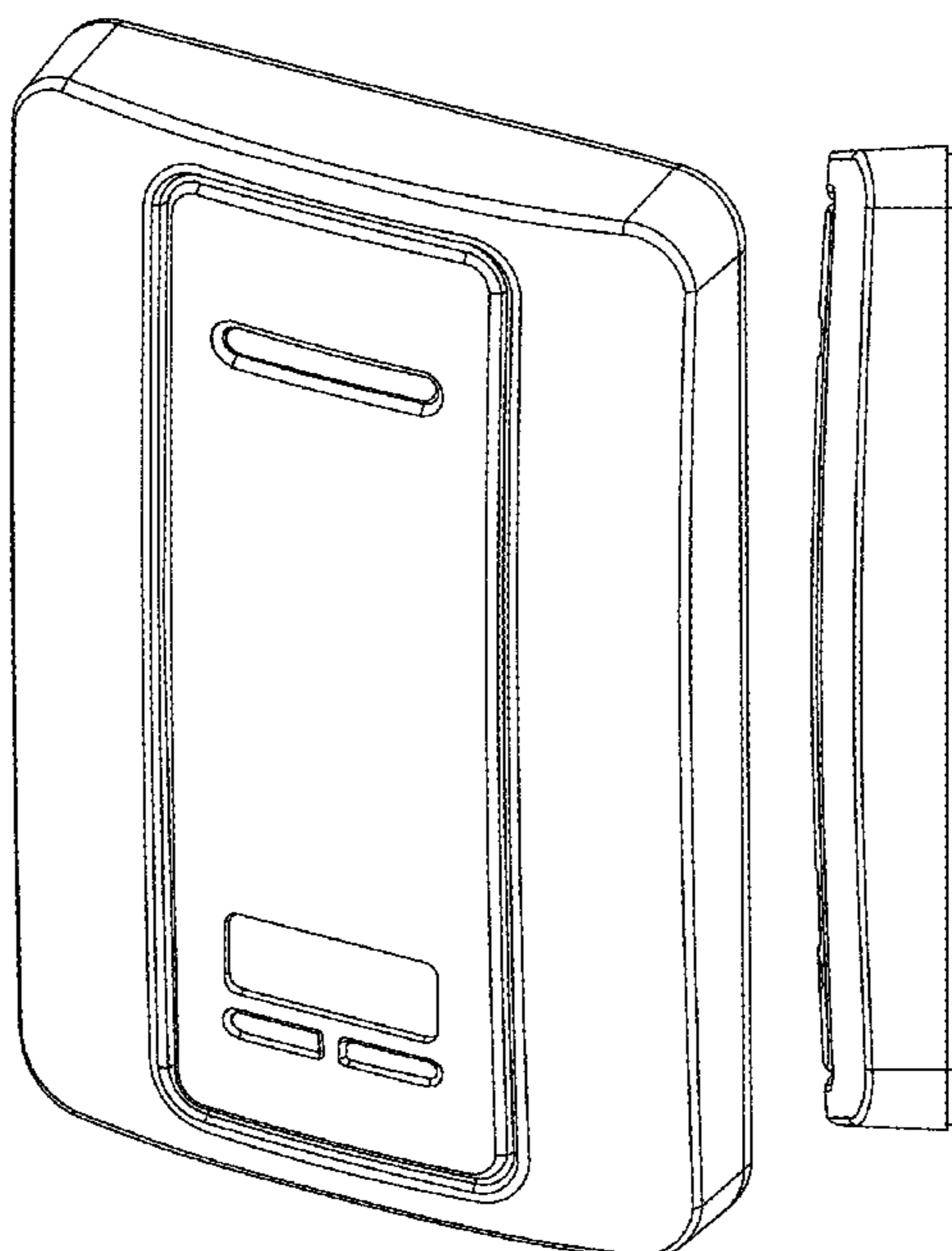
DESCRIPTION

FIG. 1 is a front right-side perspective illustration of an access control interface showing our new design;
 FIG. 2 is a front elevational view thereof;
 FIG. 3 is a right-side elevational view thereof, the left-side (not shown) being a mirror image thereof;
 FIG. 4 is a top plan view thereof;
 FIG. 5 is a bottom view thereof; and,
 FIG. 6 is a rear elevational view thereof which is provided for illustrative purposes only and forms no part of the claimed design.

(56) **References Cited**
 U.S. PATENT DOCUMENTS

- D501,208 S * 1/2005 Ozolins D14/383
- D631,880 S * 2/2011 Hirota D14/383
- D638,014 S * 5/2011 Chong D14/336

1 Claim, 6 Drawing Sheets



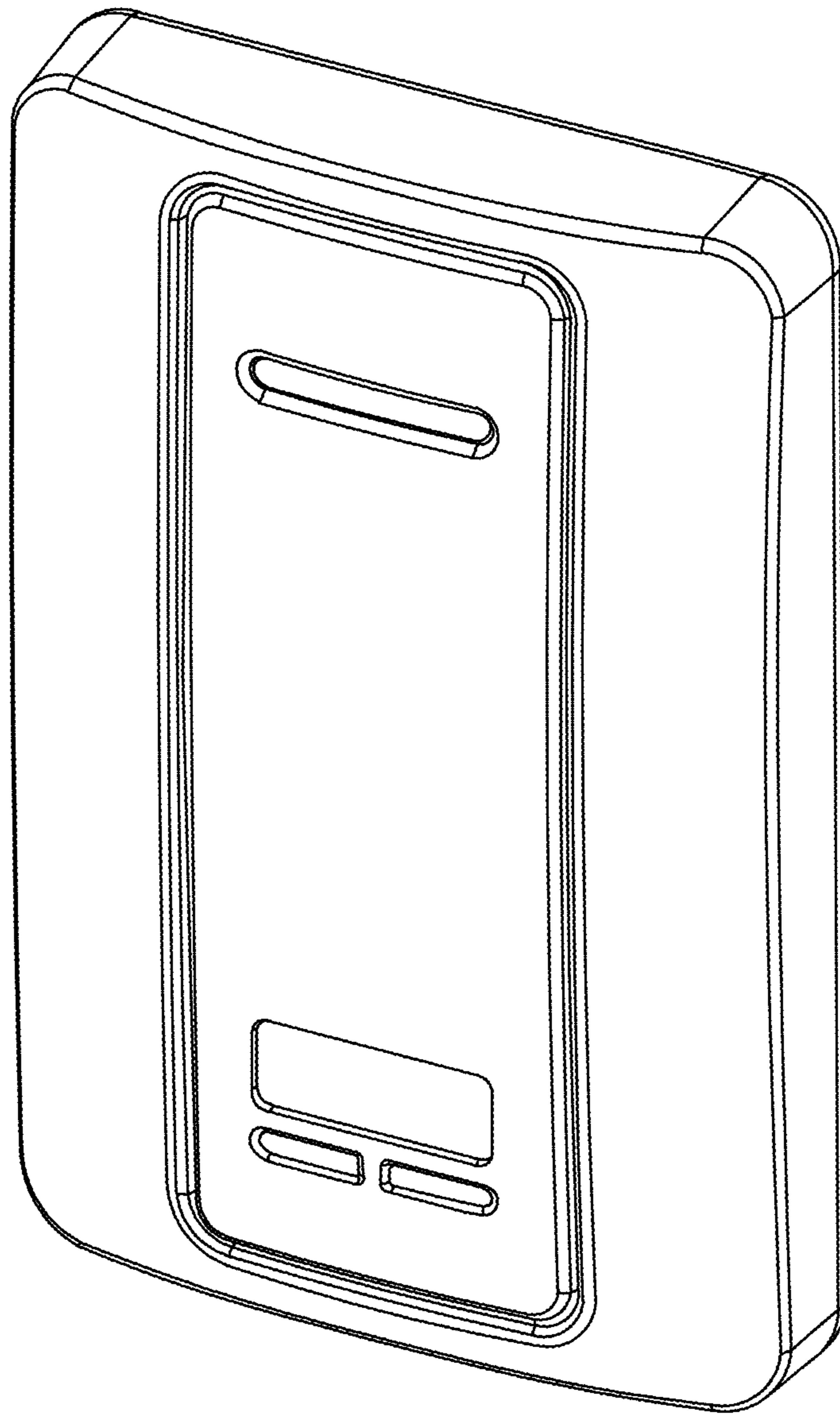


FIG. 1

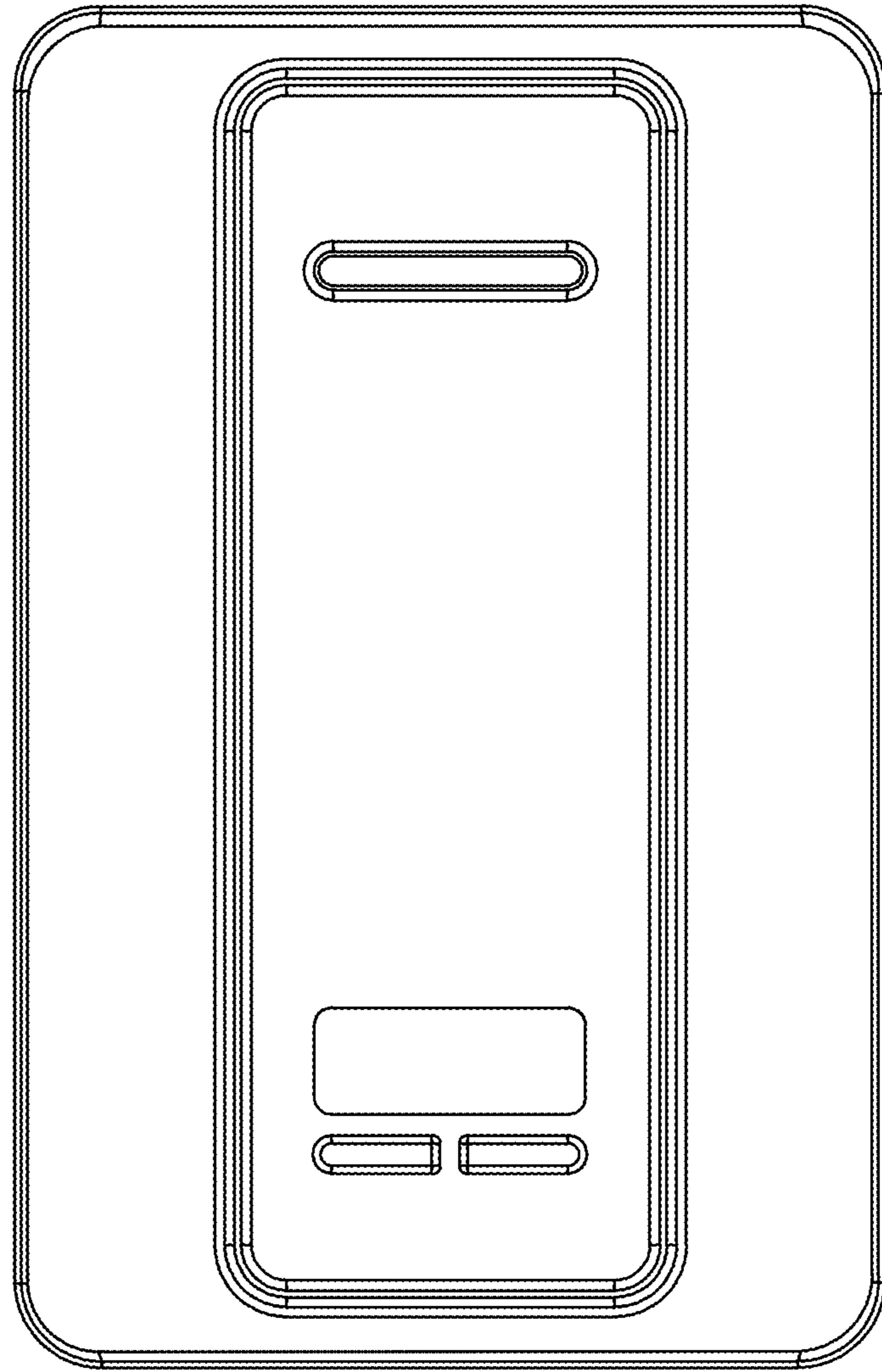


FIG. 2

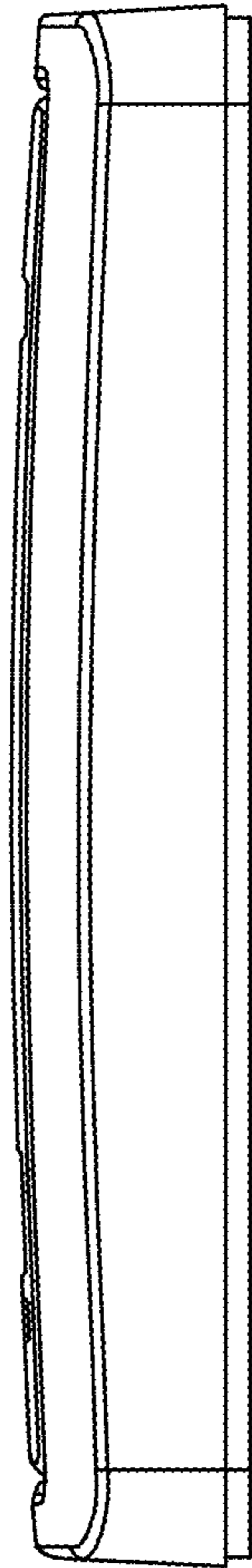


FIG. 3



FIG. 4

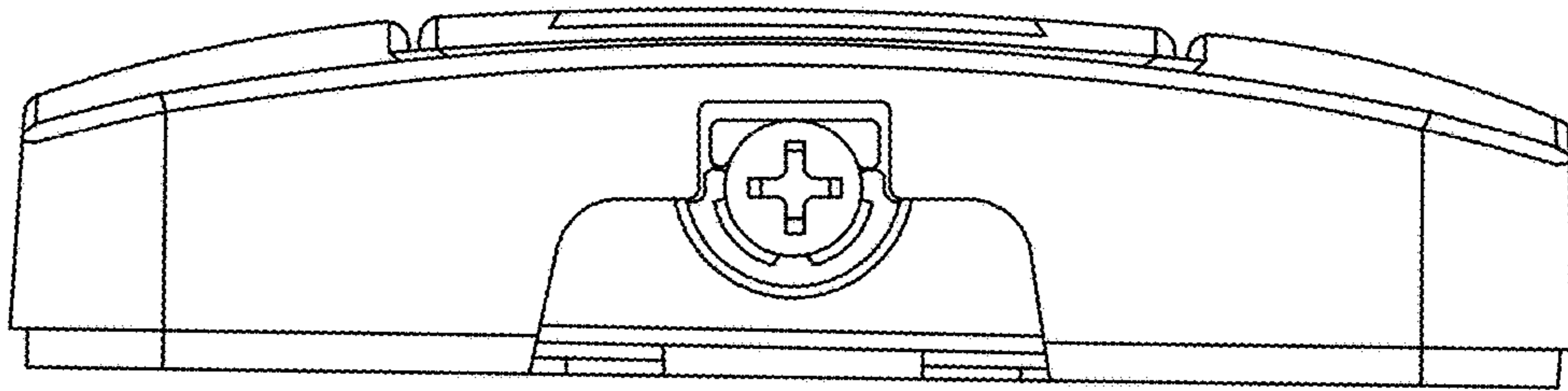


FIG. 5

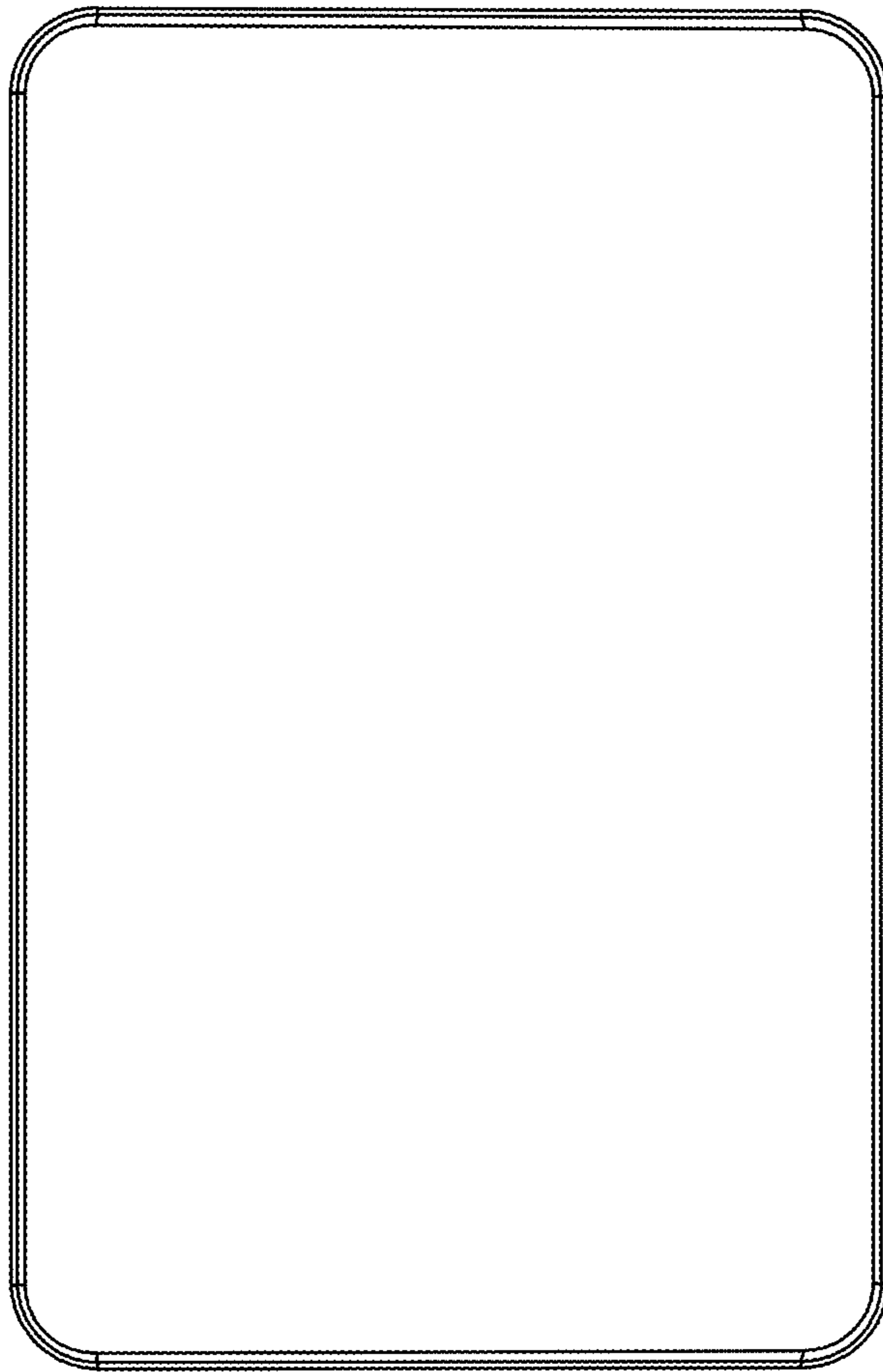


FIG. 6