



US00D776111S

(12) **United States Design Patent**  
**Baldassi et al.**

(10) **Patent No.:** **US D776,111 S**  
(45) **Date of Patent:** **\*\* Jan. 10, 2017**

(54) **FOREHEAD PAD**

(71) Applicant: **Meta Company**, Redwood City, CA  
(US)

(72) Inventors: **Stefano Baldassi**, Menlo Park, CA  
(US); **Eric Bokides**, San Mateo, CA  
(US); **Esther Lekeu**, San Mateo, CA  
(US); **Steven Merlin Worden**, Fremont,  
CA (US)

(73) Assignee: **Meta Company**, Redwood City, CA  
(US)

(\*\*) Term: **15 Years**

(21) Appl. No.: **29/554,765**

(22) Filed: **Feb. 15, 2016**

(51) **LOC (10) Cl.** ..... **14-02**

(52) **U.S. Cl.**  
USPC ..... **D14/372**

(58) **Field of Classification Search**  
USPC ..... D14/372, 496, 432, 371, 125, 126, 129,  
D14/299; D16/300-342; 351/158, 153,  
351/144; 345/7-9, 905; 455/344; 348/115,  
348/53, 121, 739  
CPC ..... G02B 27/017; G02B 27/0158; G02B  
27/0161; G02B 27/0181; G02B 27/0185;  
G02B 27/0189

See application file for complete search history.

(56) **References Cited**

**U.S. PATENT DOCUMENTS**

D390,552 S \* 2/1998 Ronzani ..... D14/372  
D517,066 S \* 3/2006 Travers ..... D14/372

D545,960 S \* 7/2007 Fu ..... D24/110.1  
D607,994 S \* 1/2010 Fu ..... D24/110.1  
8,171,934 B1 \* 5/2012 Ho ..... A61M 16/0683  
128/206.21  
D684,257 S \* 6/2013 Clarke ..... D24/110.1  
D727,896 S \* 4/2015 Lалуque ..... D14/372  
D736,771 S \* 8/2015 West ..... D14/372  
D741,327 S \* 10/2015 Reznik ..... D14/372  
D749,580 S \* 2/2016 Kim ..... D14/372  
D752,680 S \* 3/2016 Kim ..... D14/372  
D753,112 S \* 4/2016 Fei ..... D14/372  
D753,113 S \* 4/2016 Fei ..... D14/372  
D759,655 S \* 6/2016 Sullivan ..... D14/372  
D761,257 S \* 7/2016 Passmore ..... D14/372  
D764,465 S \* 8/2016 Clement ..... D14/372

\* cited by examiner

*Primary Examiner* — Austin Murphy

(74) *Attorney, Agent, or Firm* — Honigman Miller  
Schwartz and Cohn LLP

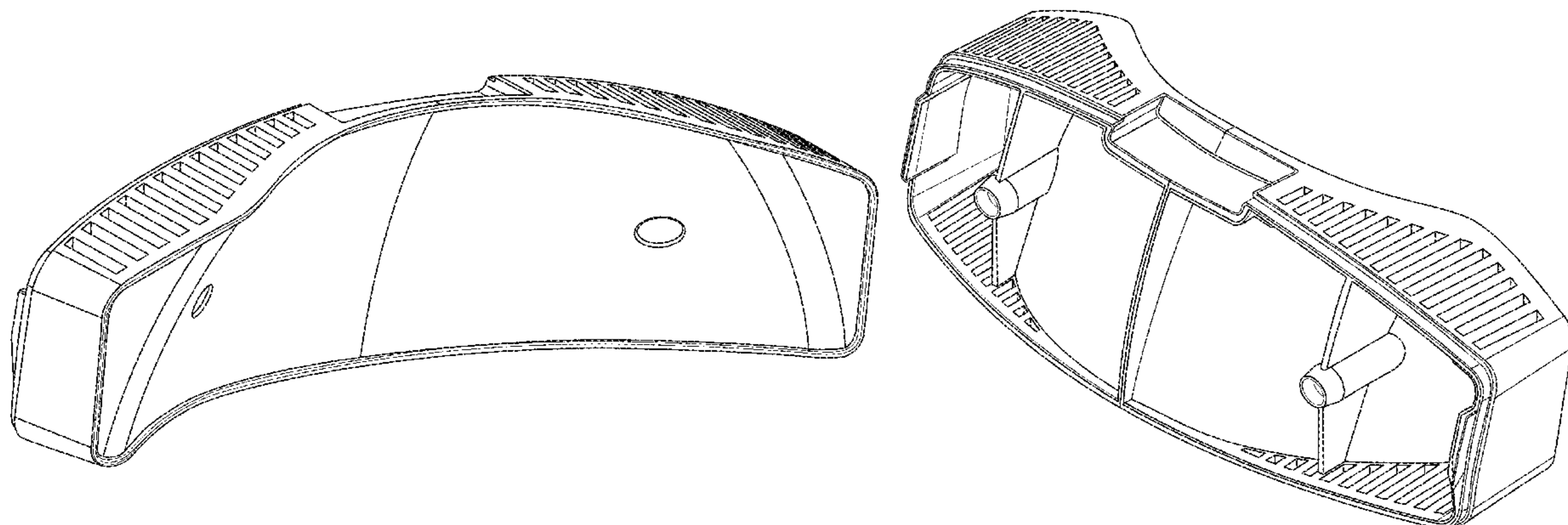
(57) **CLAIM**

The ornamental design for a forehead pad, as shown and described.

**DESCRIPTION**

FIG. 1 is a front perspective view of a forehead pad, showing our new design;  
FIG. 2 is a rear perspective view thereof;  
FIG. 3 is a front view thereof;  
FIG. 4 is a rear view thereof;  
FIG. 5 is a left side view thereof;  
FIG. 6 is a right side view thereof;  
FIG. 7 is a top plan view thereof; and,  
FIG. 8 is a bottom plan view thereof.

**1 Claim, 8 Drawing Sheets**



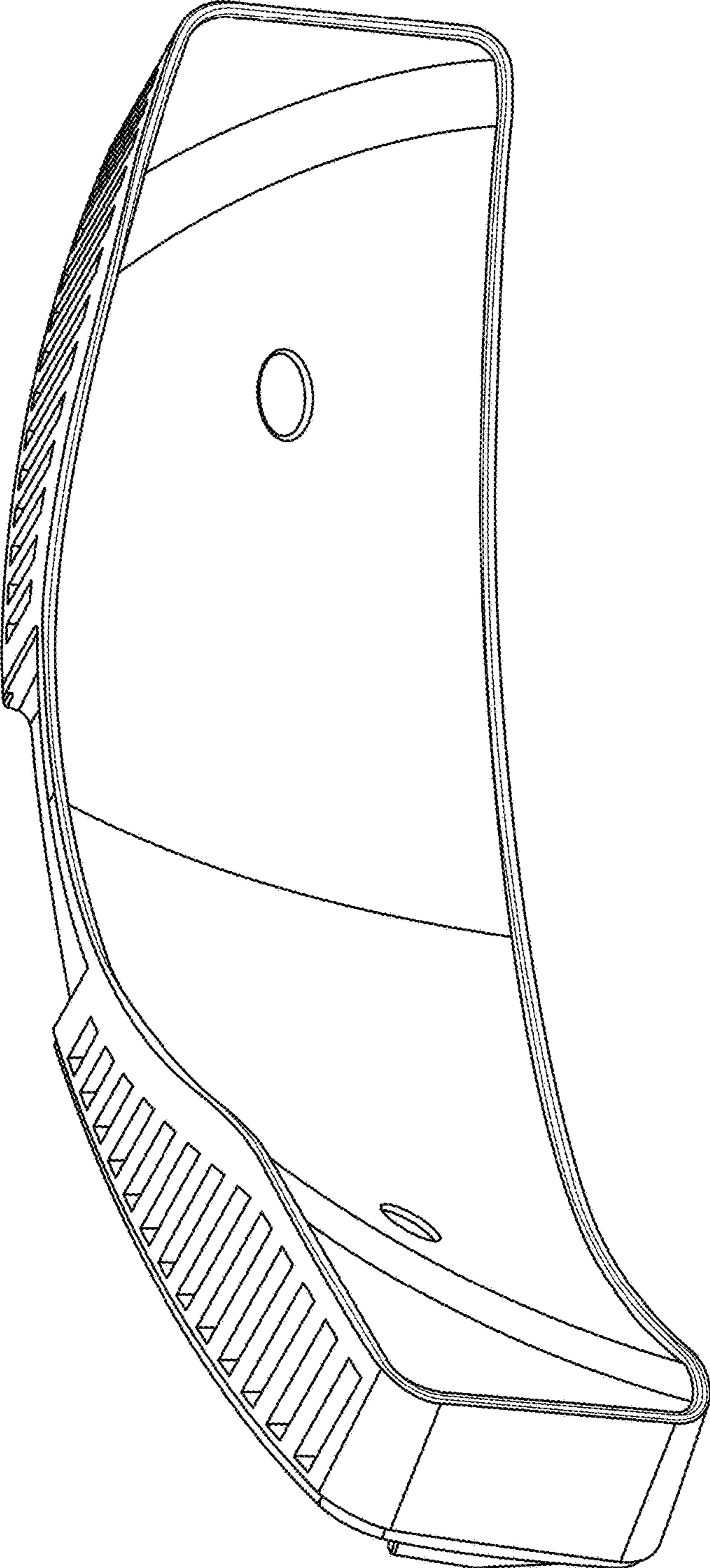


FIG. 1

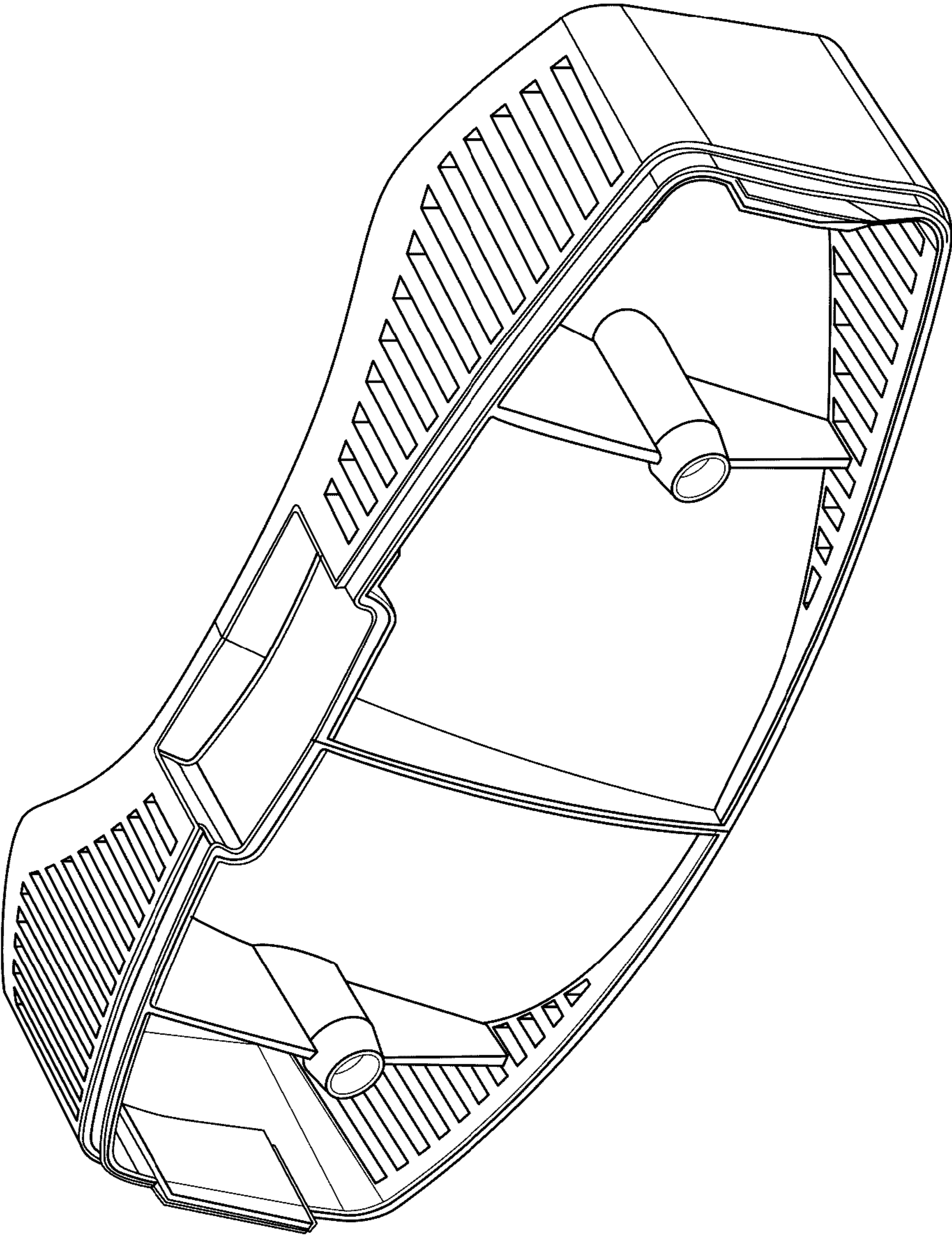


FIG. 2

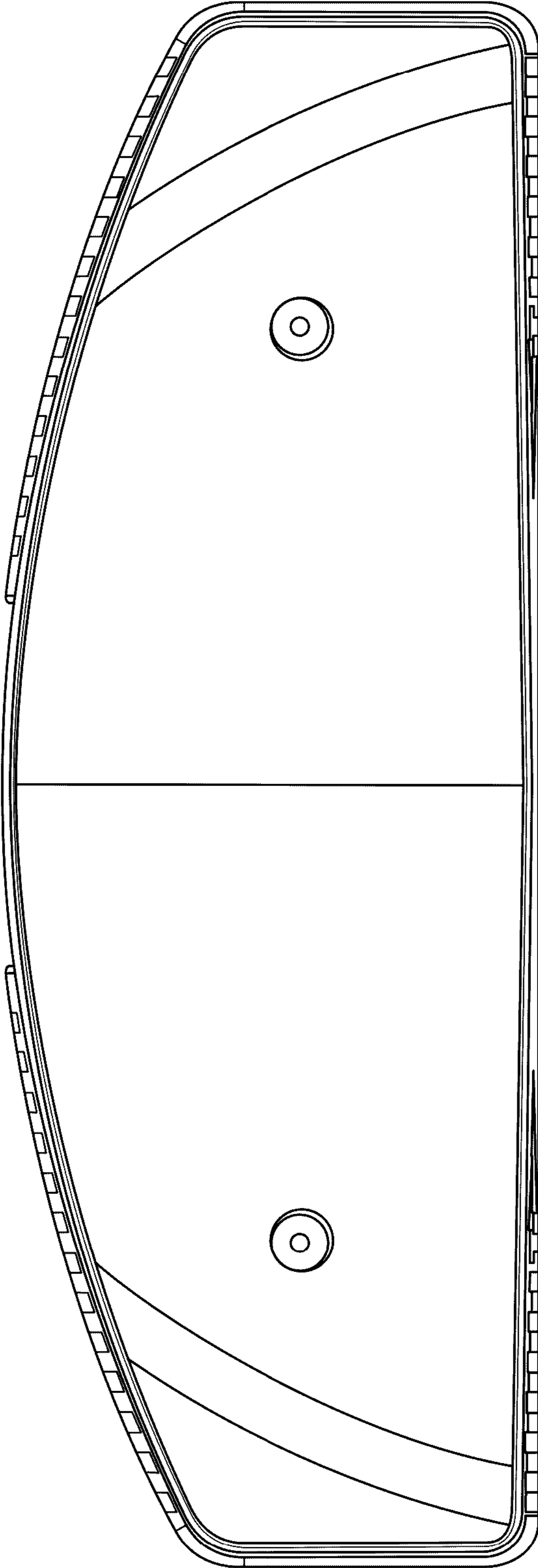


FIG. 3

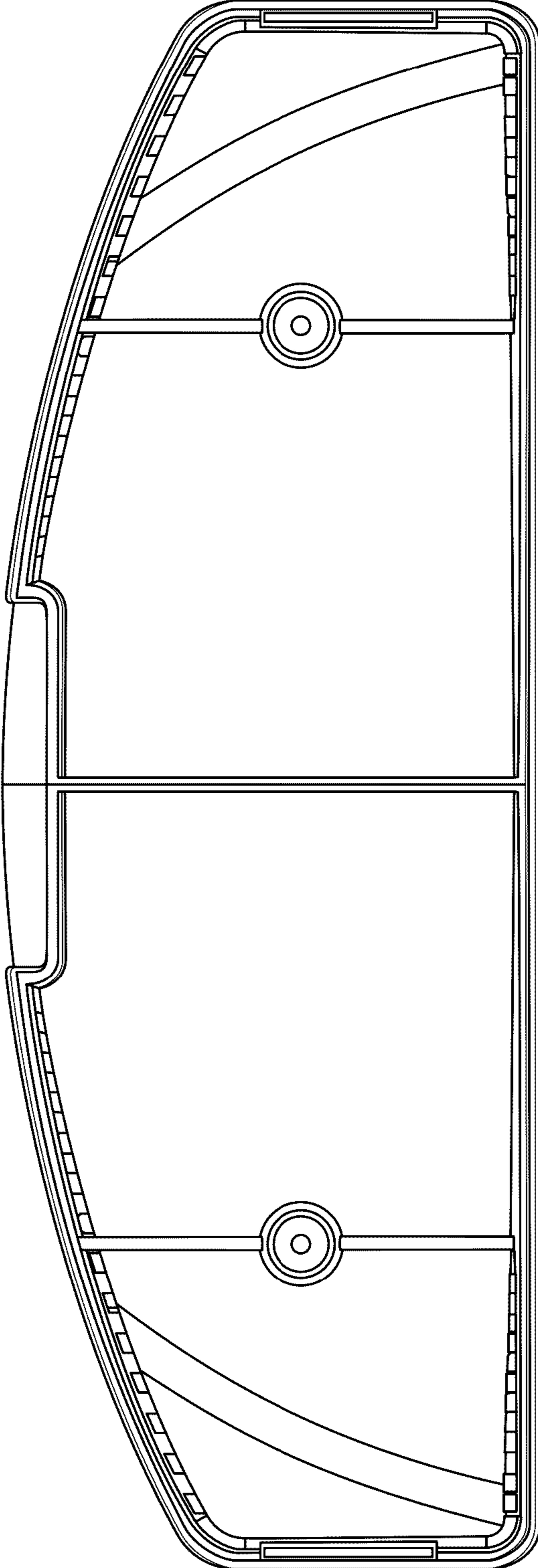


FIG. 4

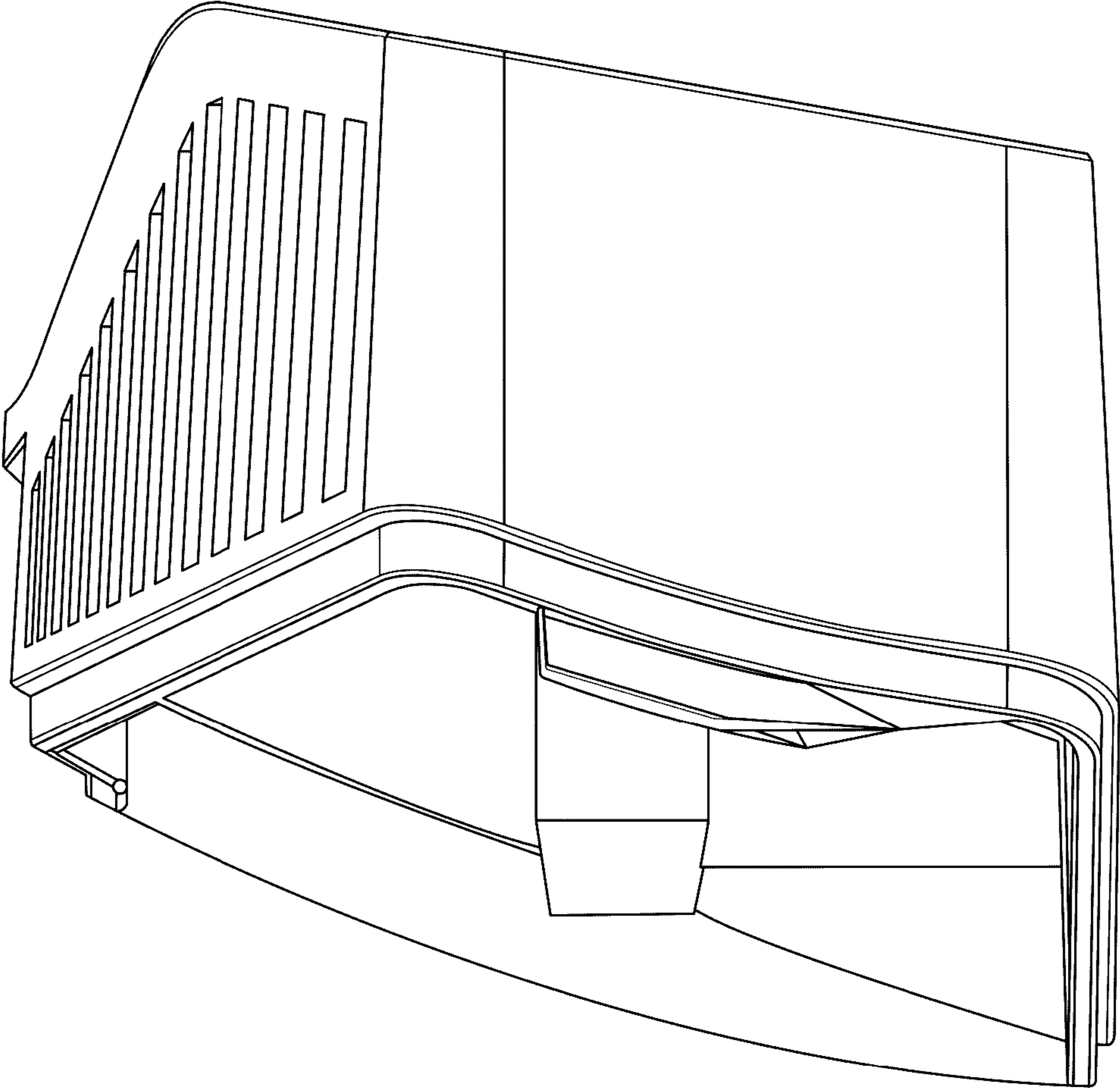


FIG. 5

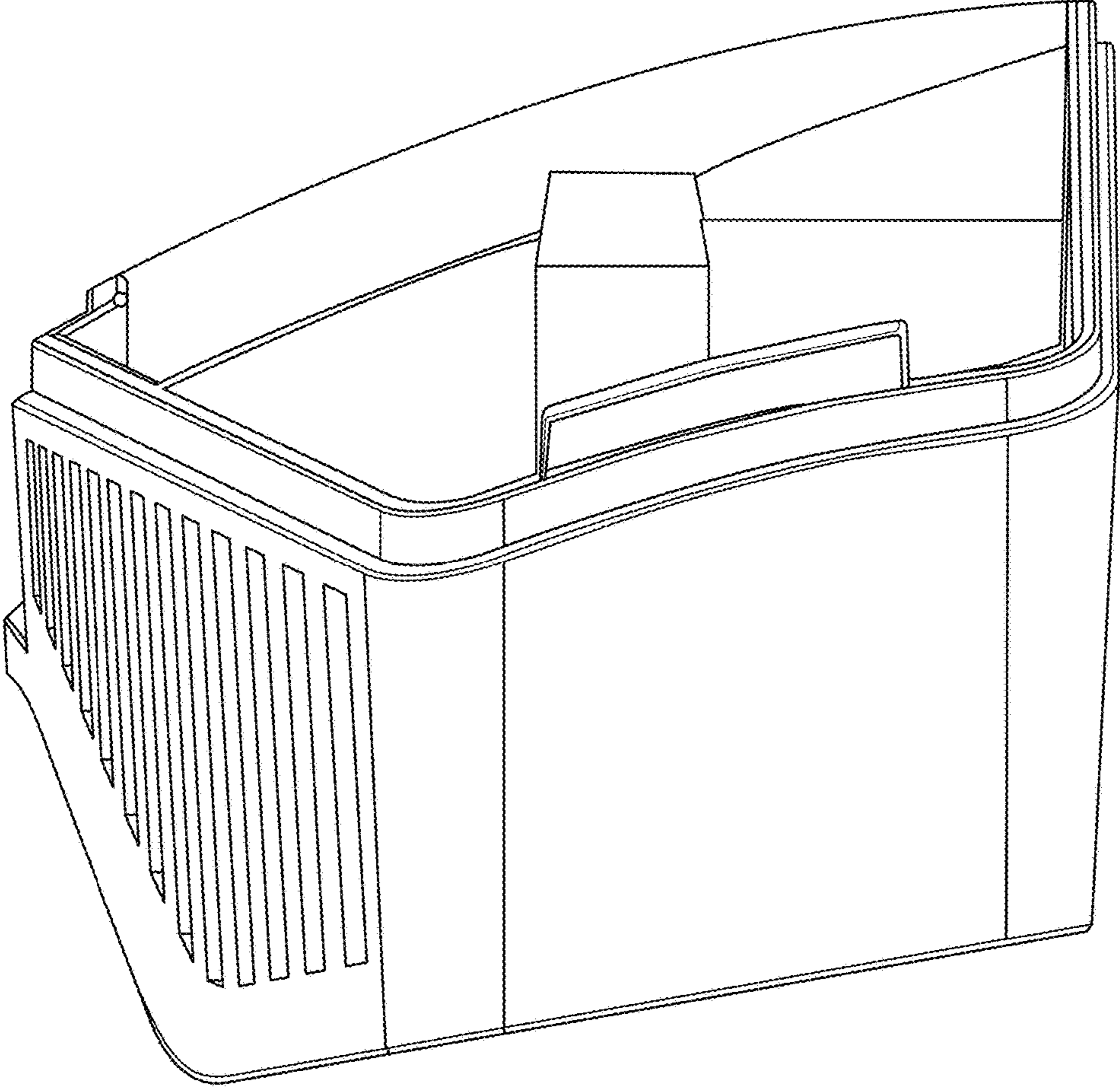


FIG. 6

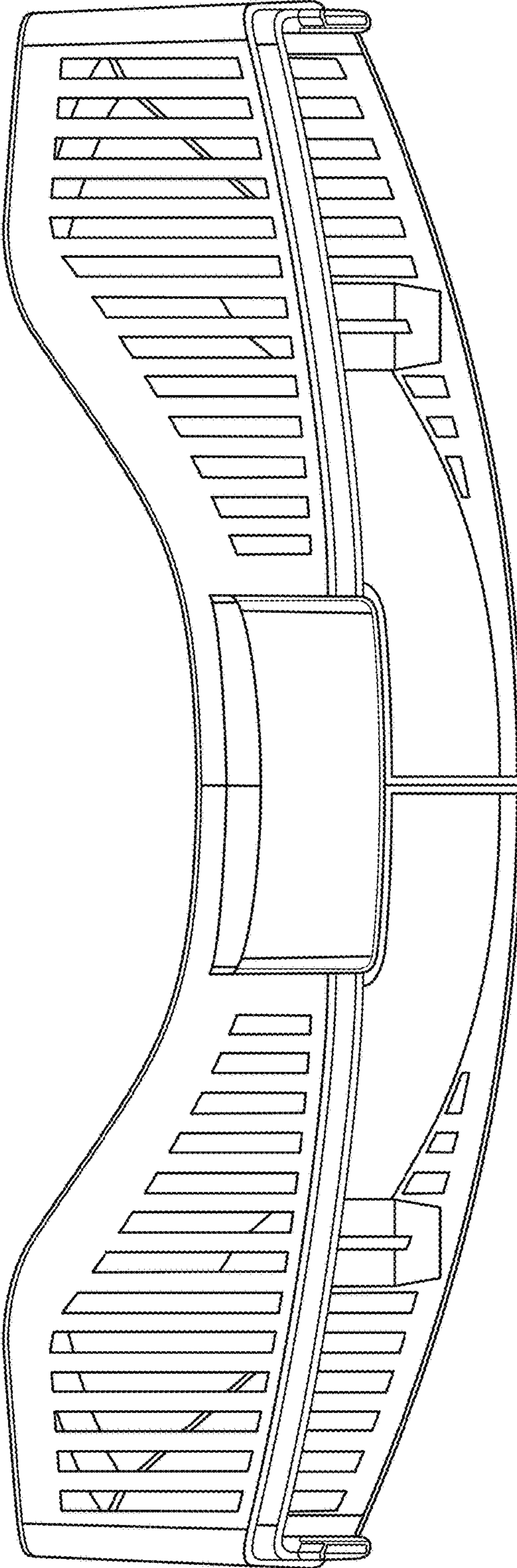


FIG. 7



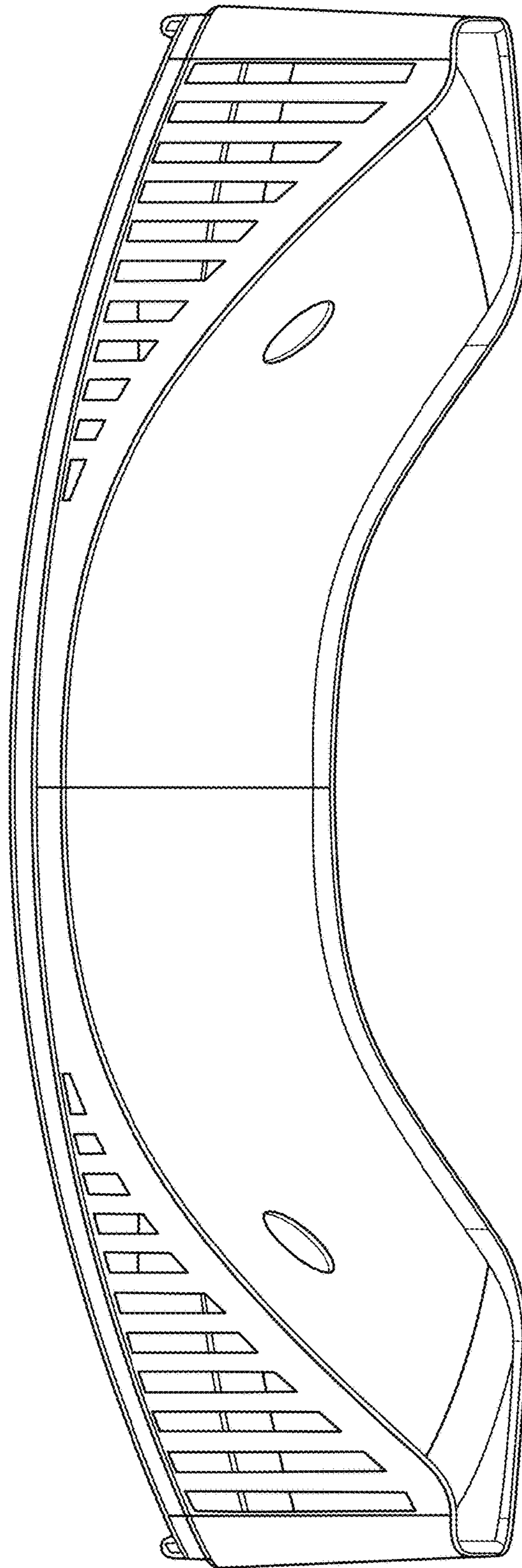


FIG. 8