



US00D776110S

(12) **United States Design Patent**
Gribetz et al.

(10) **Patent No.:** **US D776,110 S**
(45) **Date of Patent:** **** Jan. 10, 2017**

(54) **HEAD-MOUNTED DISPLAY**

- (71) Applicant: **Meta Company**, Redwood City, CA (US)
- (72) Inventors: **Meron Gribetz**, Belmont, CA (US); **Raymond Chun Hing Lo**, Richmond Hill (CA); **Stefano Baldassi**, Menlo Park, CA (US); **Martin Hasek**, San Francisco, CA (US); **Ashish Ahuja**, Mountain View, CA (US); **Zhangyi Zhong**, San Francisco, CA (US); **Eric Bokides**, San Mateo, CA (US); **Esther Lekeu**, San Mateo, CA (US); **Steven Merlin Worden**, Fremont, CA (US)
- (73) Assignee: **Meta Company**, Redwood City, CA (US)
- (**) Term: **15 Years**
- (21) Appl. No.: **29/554,762**
- (22) Filed: **Feb. 15, 2016**
- (51) **LOC (10) Cl.** **14-02**
- (52) **U.S. Cl.**
USPC **D14/372**
- (58) **Field of Classification Search**
USPC D14/372, 496, 432, 371, 125, 126, 129, D14/299; D16/300-342; 351/158, 153, 351/144; 345/7-9, 905; 455/344; 348/115, 348/53, 121, 739
CPC G02B 27/017; G02B 27/0158; G02B 27/0161; G02B 27/0181; G02B 27/0185; G02B 27/0189

See application file for complete search history.

(56) **References Cited**

U.S. PATENT DOCUMENTS

D390,552 S *	2/1998	Ronzani	D14/372
D517,066 S *	3/2006	Travers	D14/372
D727,896 S *	4/2015	Laluque	D14/372
D736,771 S *	8/2015	West	D14/372
D741,327 S *	10/2015	Reznik	D14/372
D749,580 S *	2/2016	Kim	D14/372
D752,680 S *	3/2016	Kim	D14/372
D753,112 S *	4/2016	Fei	D14/372
D753,113 S *	4/2016	Fei	D14/372
D759,655 S *	6/2016	Sullivan	D14/372
D761,257 S *	7/2016	Passmore	D14/372
D764,465 S *	8/2016	Clement	D14/372

* cited by examiner

Primary Examiner — Austin Murphy

(74) *Attorney, Agent, or Firm* — Honigman Miller Schwartz and Cohn LLP

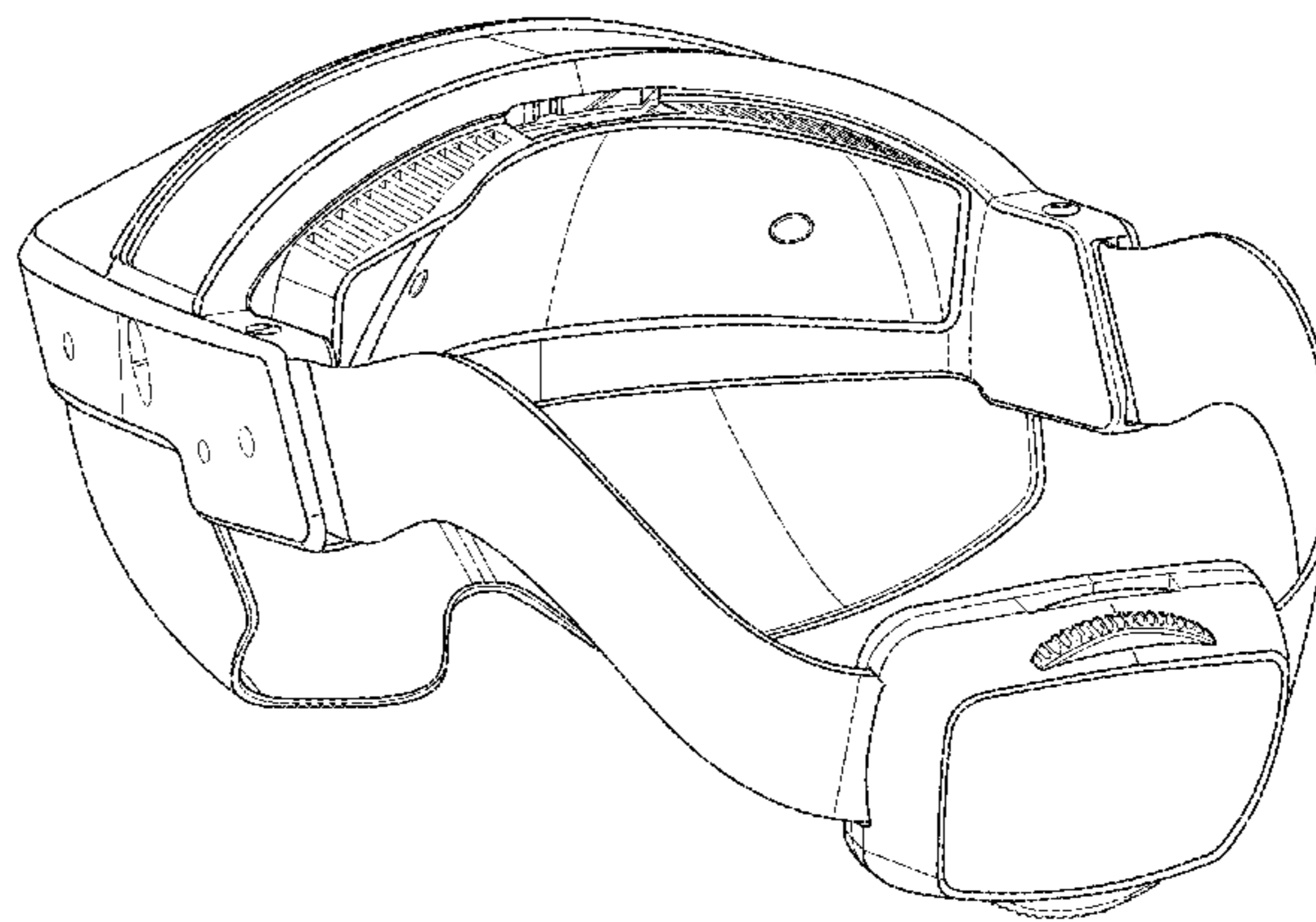
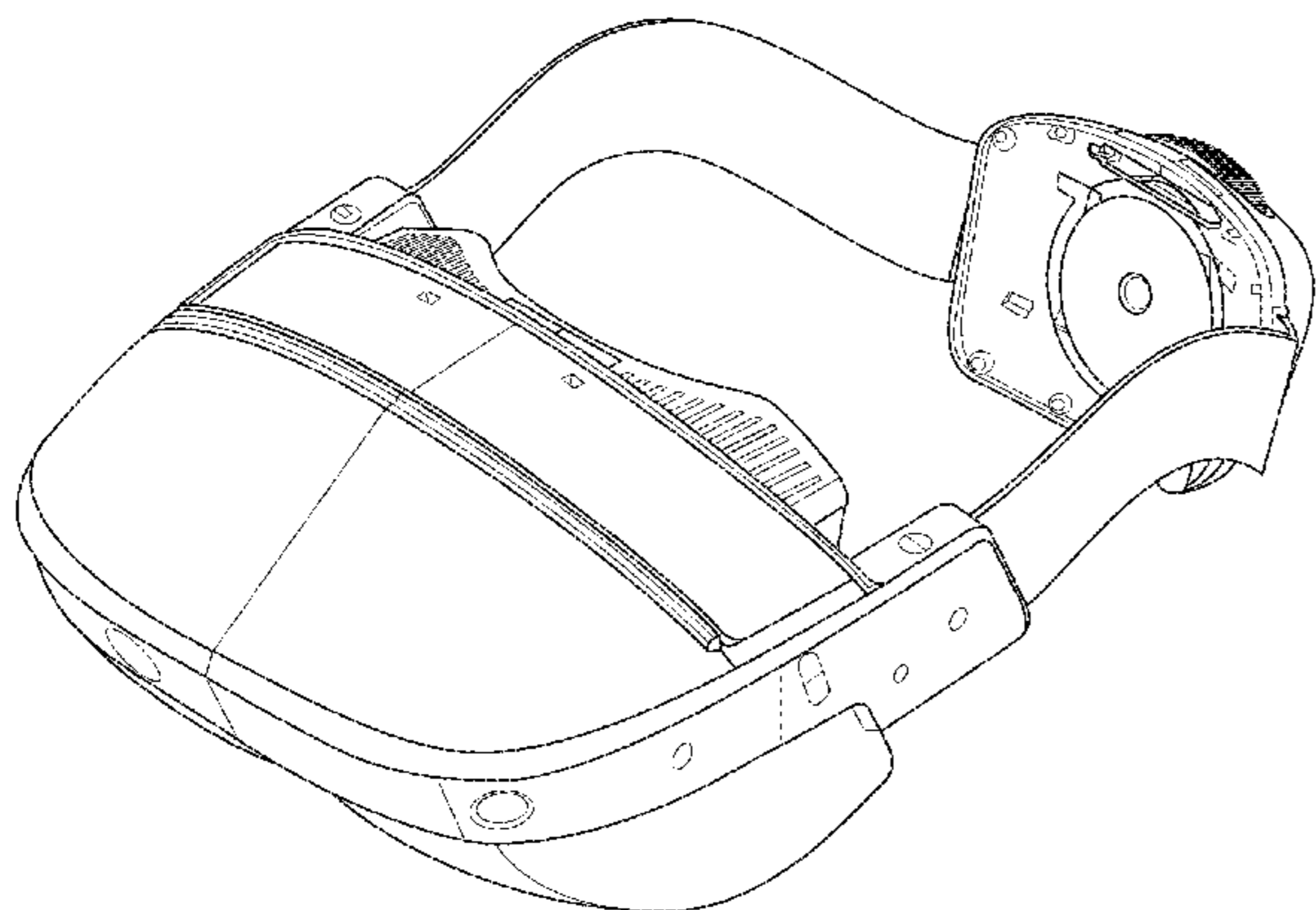
(57) **CLAIM**

The ornamental design for a head-mounted display, as shown and described.

DESCRIPTION

FIG. 1 is a front perspective view of a head-mounted display, showing our new design;
 FIG. 2 is a rear perspective view thereof;
 FIG. 3 is a front view thereof;
 FIG. 4 is a rear view thereof;
 FIG. 5 is a left side view thereof;
 FIG. 6 is a right side view thereof;
 FIG. 7 is a top plan view thereof; and,
 FIG. 8 is a bottom plan view thereof.

1 Claim, 8 Drawing Sheets



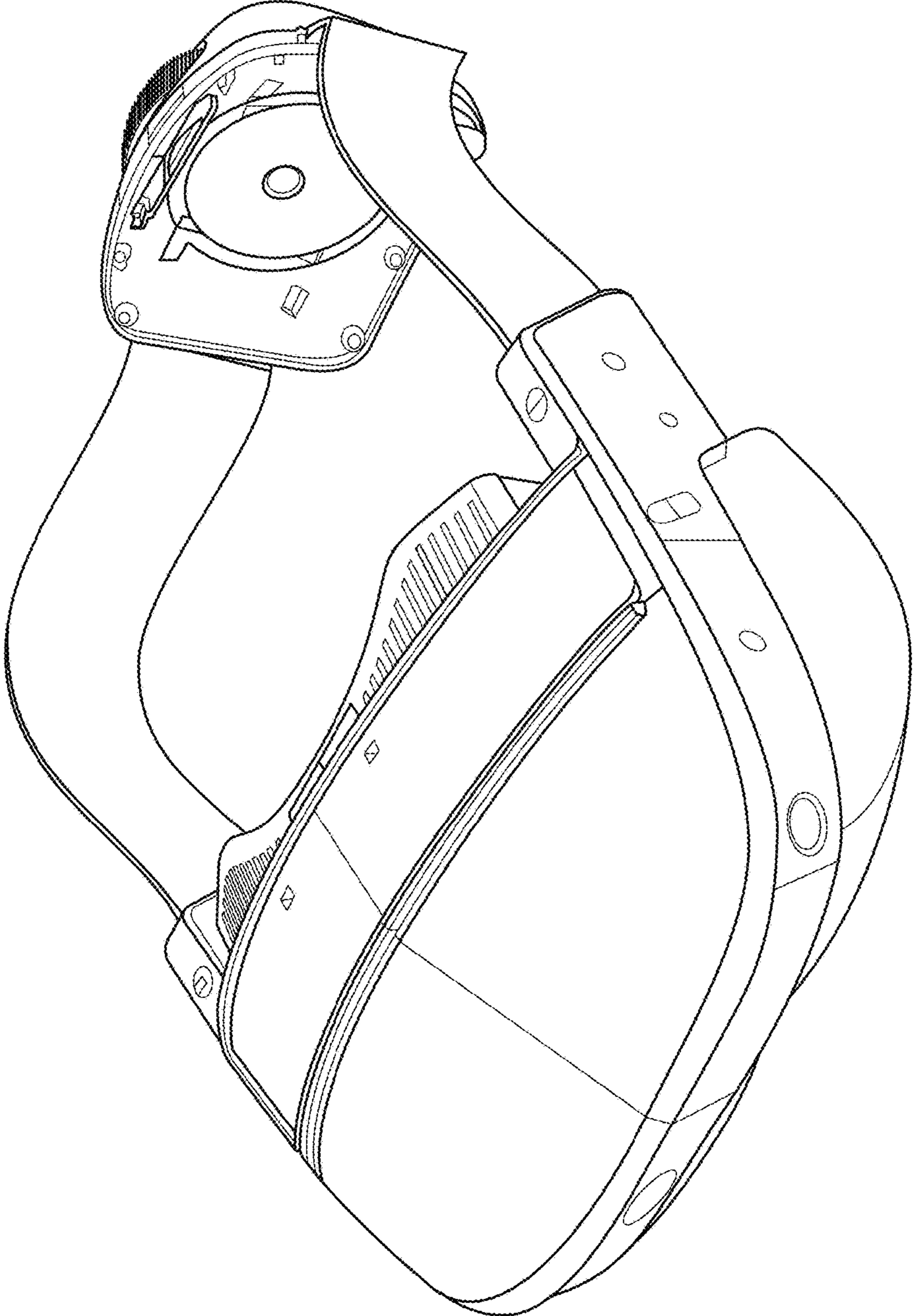


FIG. 1

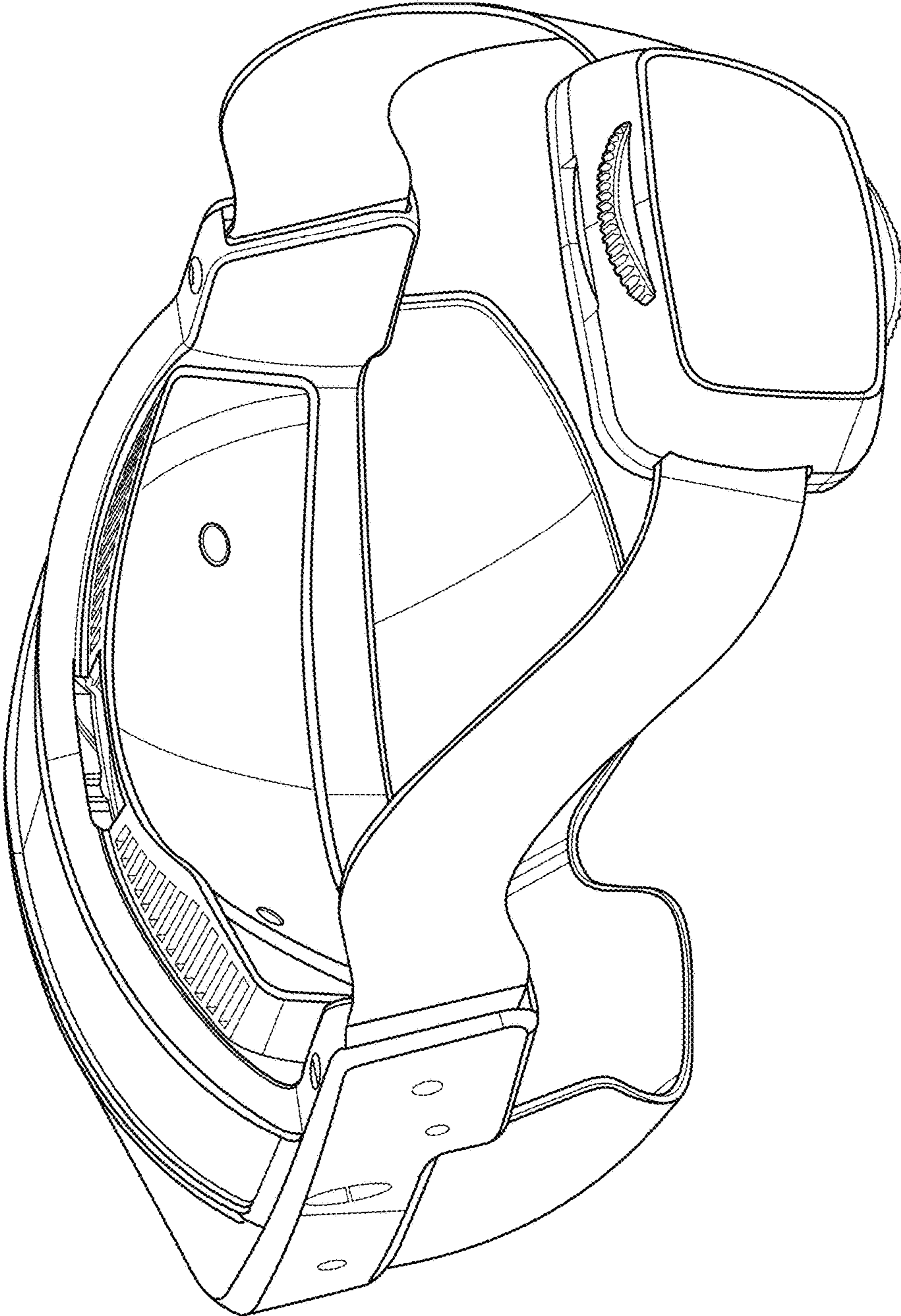


FIG. 2

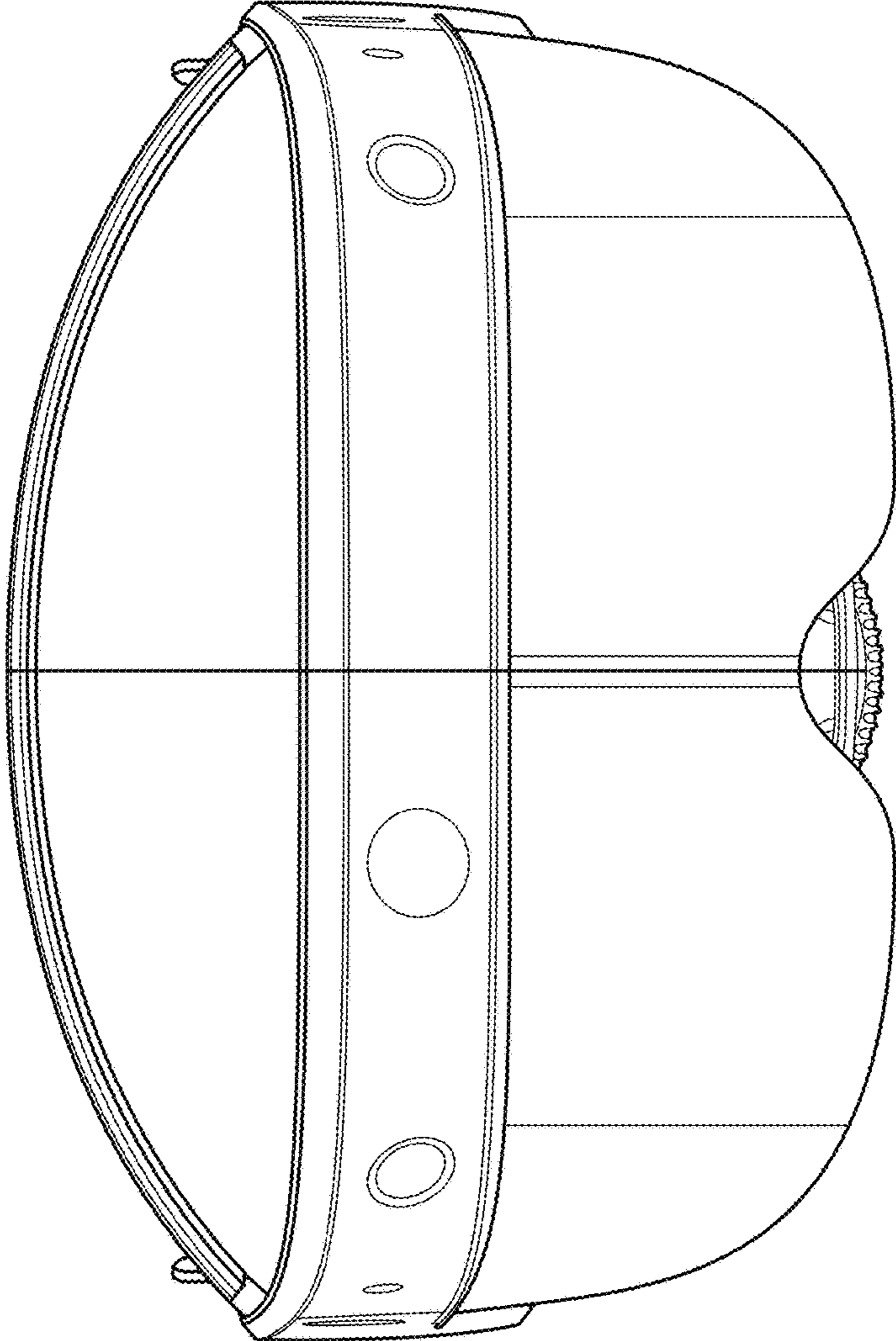


FIG. 3

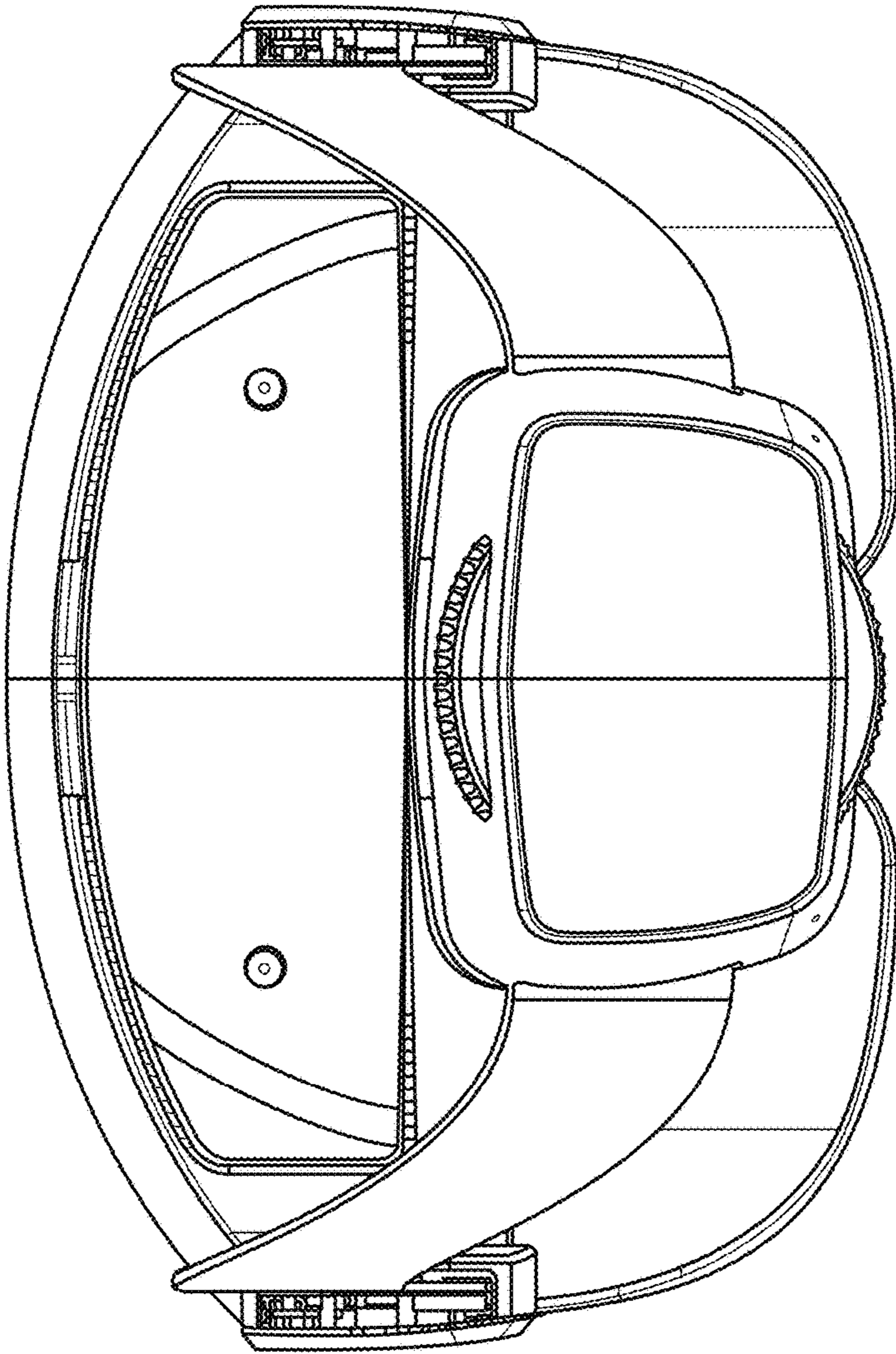


FIG. 4

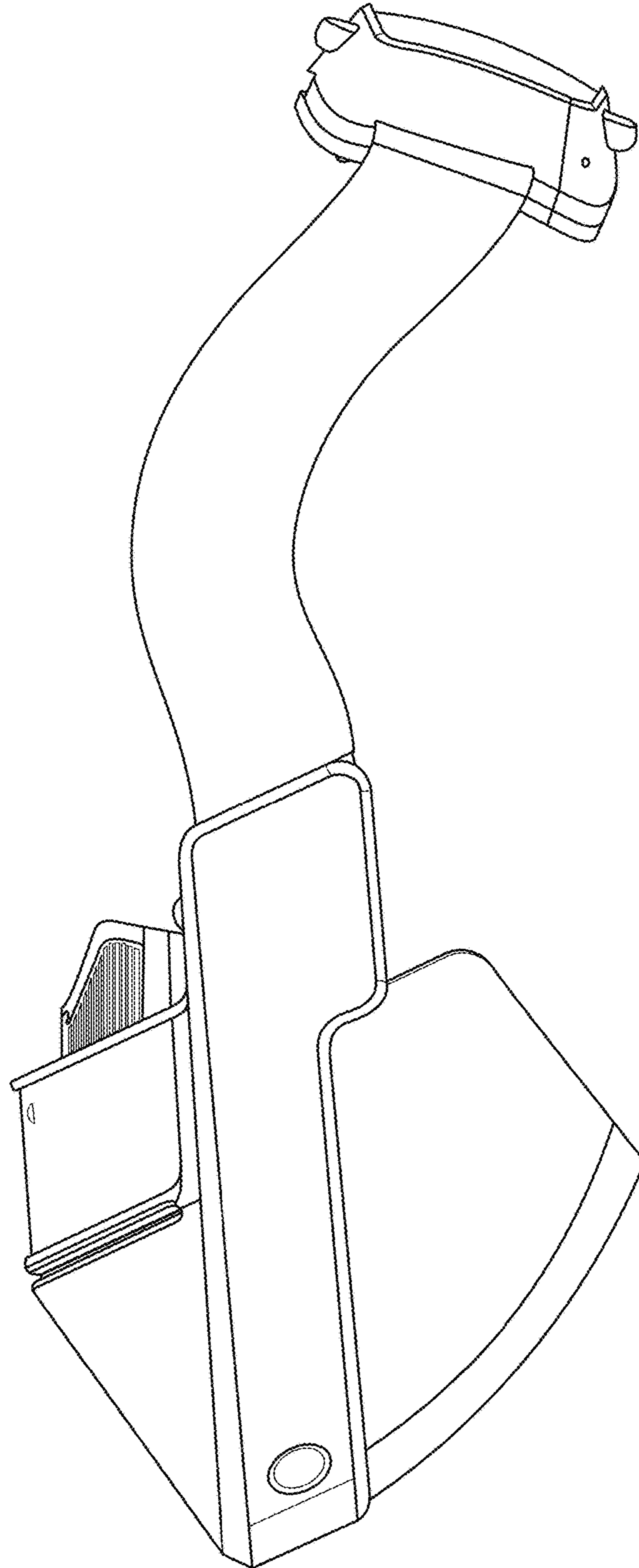


FIG. 5

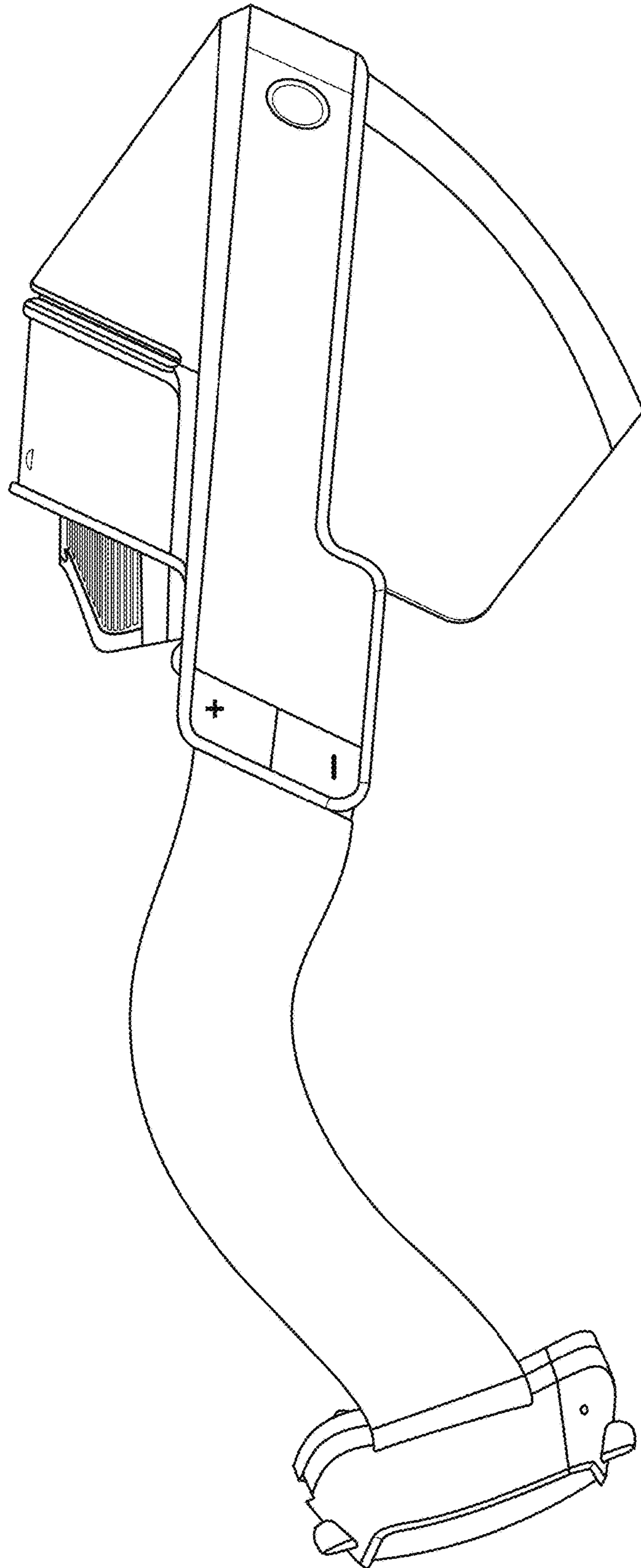


FIG. 6

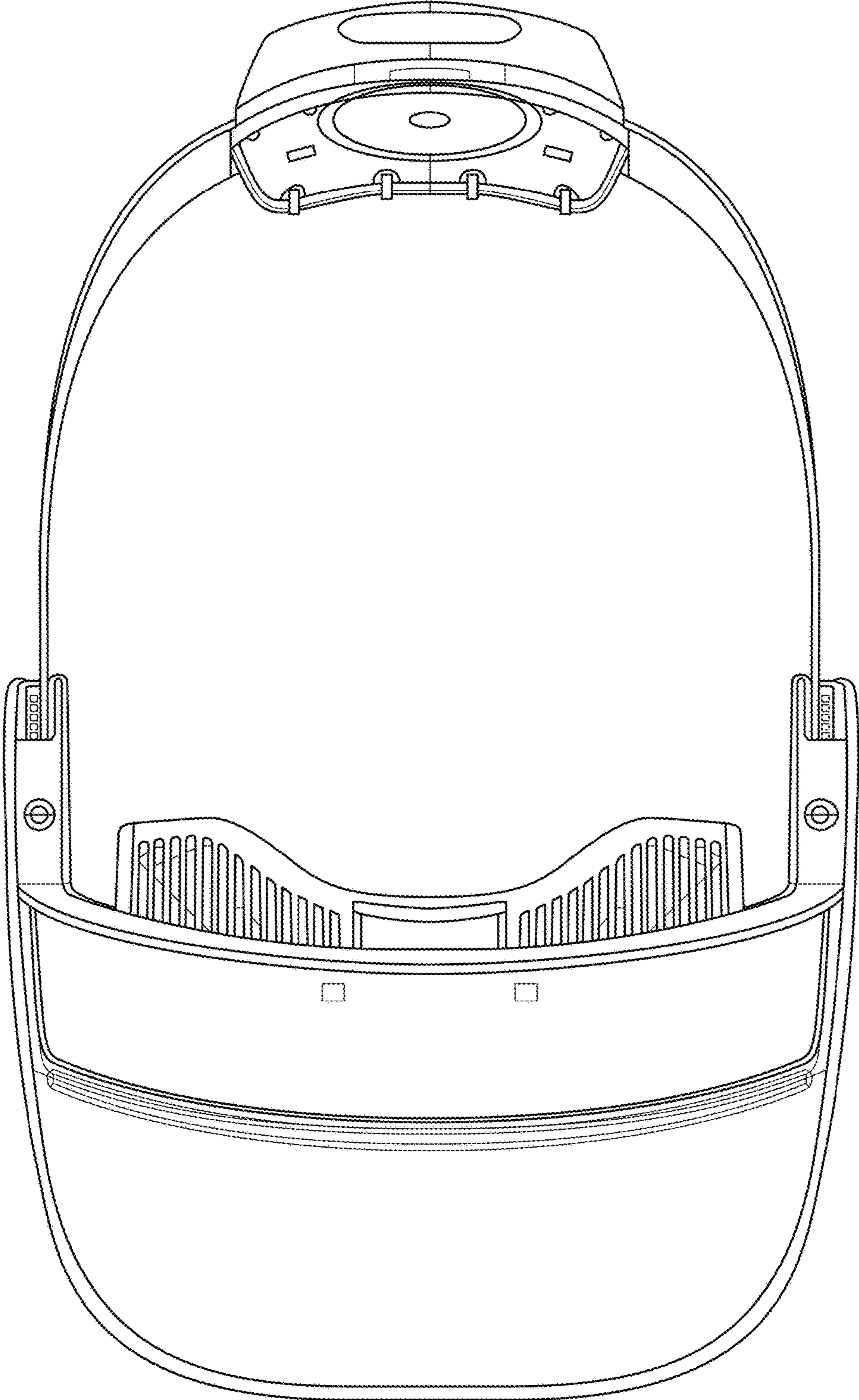


FIG. 7

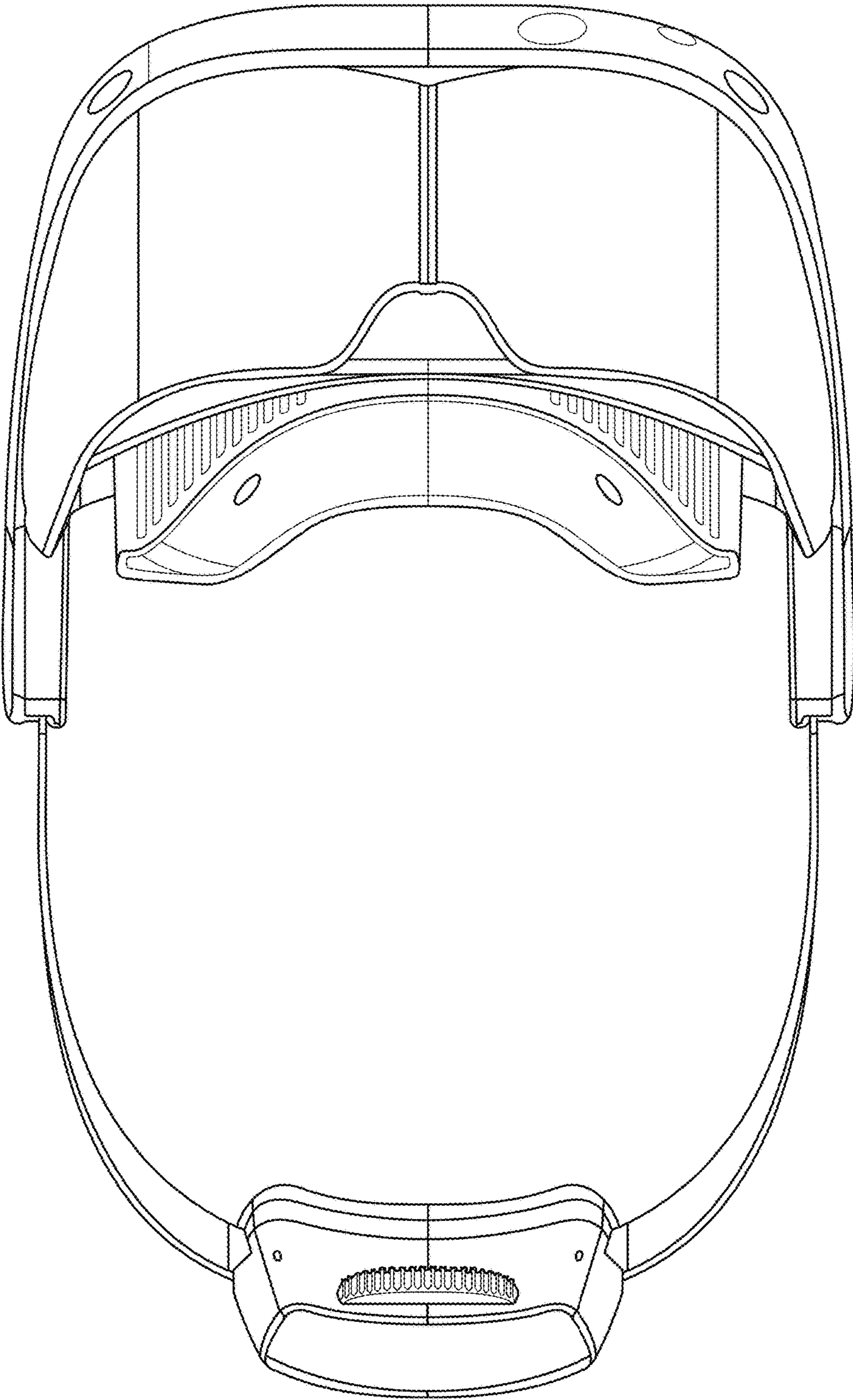


FIG. 8