



US00D776109S

(12) **United States Design Patent**
Shin et al.

(10) **Patent No.:** **US D776,109 S**
(45) **Date of Patent:** **** Jan. 10, 2017**

(54) **WEARABLE DEVICE**

(71) Applicant: **LG ELECTRONICS INC.**, Seoul (KR)

(72) Inventors: **Cheolwoong Shin**, Seoul (KR);
Wonsang Choi, Seoul (KR); **Hwitae Lim**, Seoul (KR)

(73) Assignee: **LG ELECTRONICS INC.**, Seoul (KR)

(**) Term: **14 Years**

(21) Appl. No.: **29/508,526**

(22) Filed: **Nov. 7, 2014**

(30) **Foreign Application Priority Data**

May 9, 2014 (KR) 30-2014-0023201

(51) **LOC (10) Cl.** **14-02**

(52) **U.S. Cl.**
USPC **D14/344**

(58) **Field of Classification Search**
USPC D14/344, 138 R, 144, 358; D2/623, 626, D2/639, 878; D8/88, 356; D10/30-39, 70, D11/98; 3, 87, 93-94, 200, 201, 210, 216, D11/218, 221, 230-231; D24/167, 169, D24/186-187
CPC G06F 1/163; G06F 1/1628; G06F 1/1626; G06F 1/1635; G06F 1/08; G06F 1/10; G06F 1/04; G06F 1/14; G06F 1/3203; A41D 1/002; H04M 1/02; H04M 1/03; H04M 1/04; H04M 1/05; H04M 1/667; H04M 1/6058; Y02B 60/1217; H04B 1/385; H04B 1/3888; H04B 1/3833; A44C 5/00
See application file for complete search history.

(56) **References Cited**

U.S. PATENT DOCUMENTS

D235,741 S * 7/1975 Friedman D10/15
D424,451 S * 5/2000 Houlihan D10/30

D447,063 S * 8/2001 Scheufele D10/30
D515,946 S * 2/2006 Jorst D10/39
D559,125 S * 1/2008 Figueiredo D10/38
D725,073 S * 3/2015 Ji D10/38
D726,675 S * 4/2015 Choi D10/38
D731,455 S * 6/2015 Park D10/38
D740,704 S * 10/2015 Park D10/38
D742,260 S * 11/2015 Park D10/30
D748,501 S * 2/2016 Cerrato D10/30
D753,109 S * 4/2016 Kim D10/38

OTHER PUBLICATIONS

Fossil Townsman Chronograph, posted Jan. 27, 2013, [retrieved Aug. 22, 2016]. Retrieved from Internet, <URL: <http://www.plunderguide.com/fossil-townsman-chronograph/>>.*
Designer Gábor Balogh Asks, "Why do Smartwatches Have to Look Futuristic?", posted Mar. 7, 2014, [retrieved Aug. 22, 2016]. Retrieved from Internet, <URL: <http://www.droid-life.com/2014/03/07/designer-gabor-balogh-asks-why-do-smartwatches-have-to-look-futuristic/>>.*

* cited by examiner

Primary Examiner — Barbara Fox

Assistant Examiner — Kristin E Reed

(74) *Attorney, Agent, or Firm* — Birch, Stewart, Kolasch & Birch, LLP

(57) **CLAIM**

The ornamental design for a wearable device, as shown and described.

DESCRIPTION

FIG. 1 is a perspective view of a wearable device showing our new design;
FIG. 2 is a front view thereof;
FIG. 3 is a rear view thereof;
FIG. 4 is a left side view thereof;
FIG. 5 is a right side view thereof;
FIG. 6 is a top plan view thereof; and,
FIG. 7 is a bottom plan view thereof.
The broken lines depict portions of the wearable device that form no part of the claimed design.

1 Claim, 7 Drawing Sheets

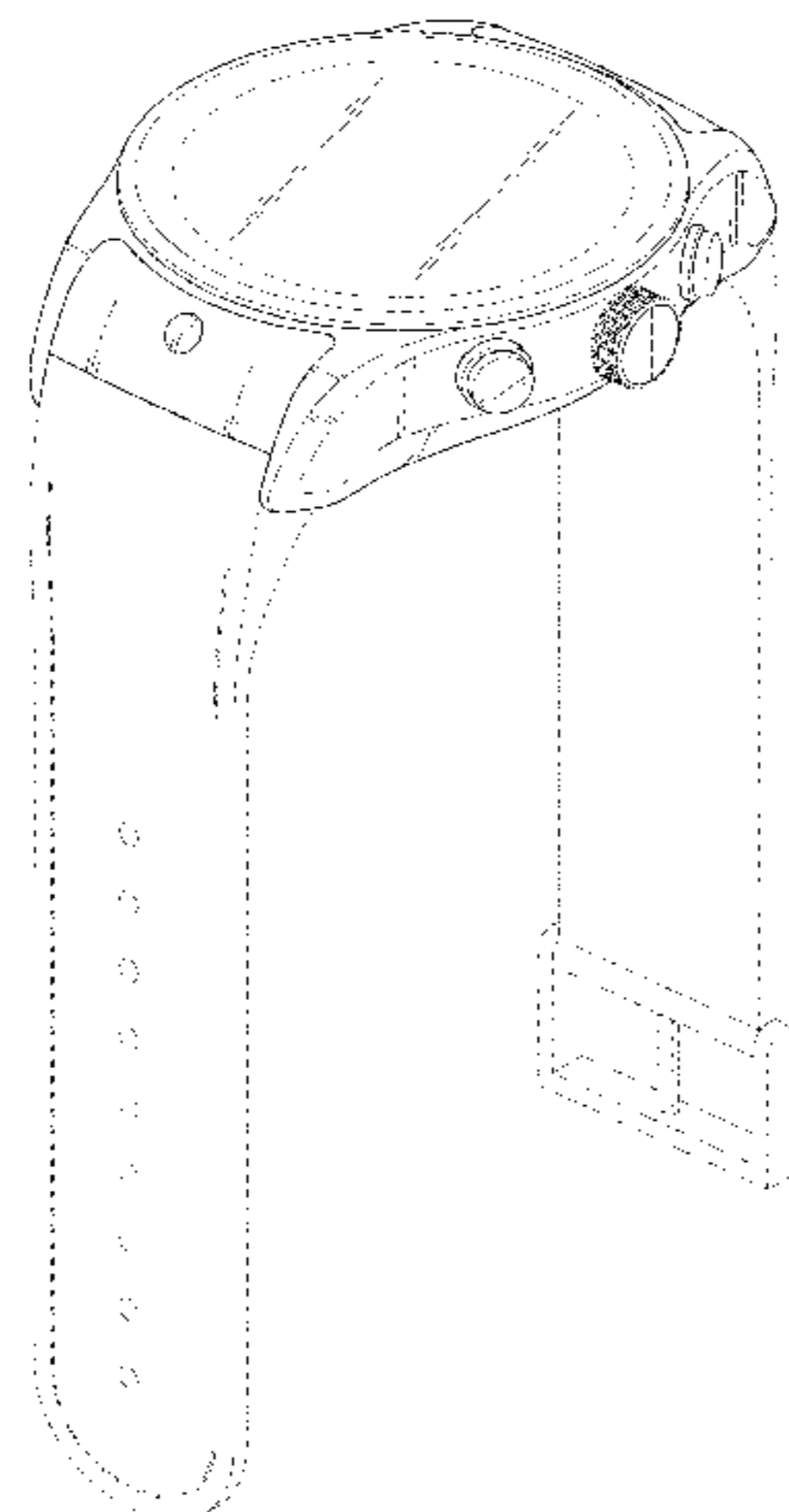


FIG. 1

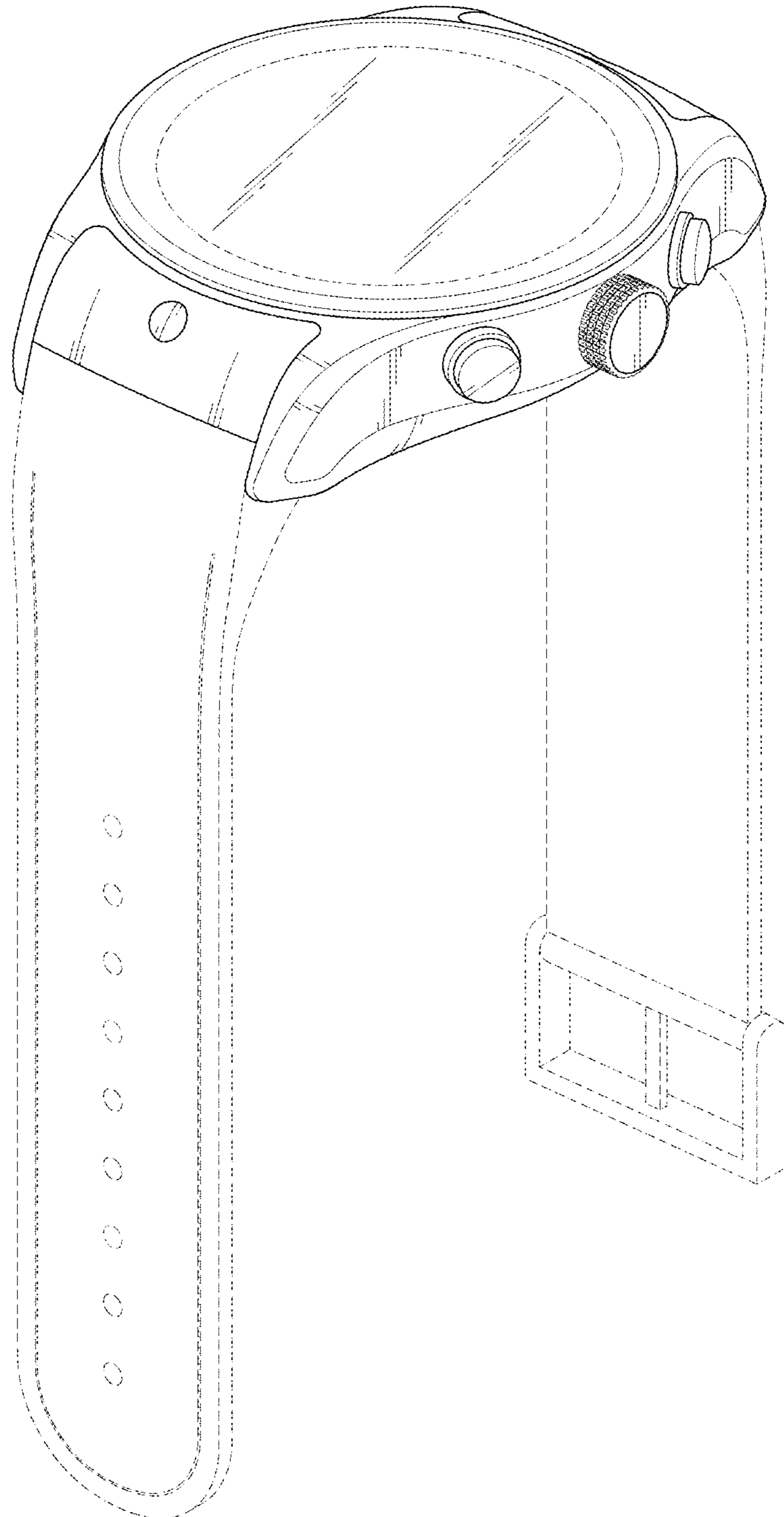


FIG. 2

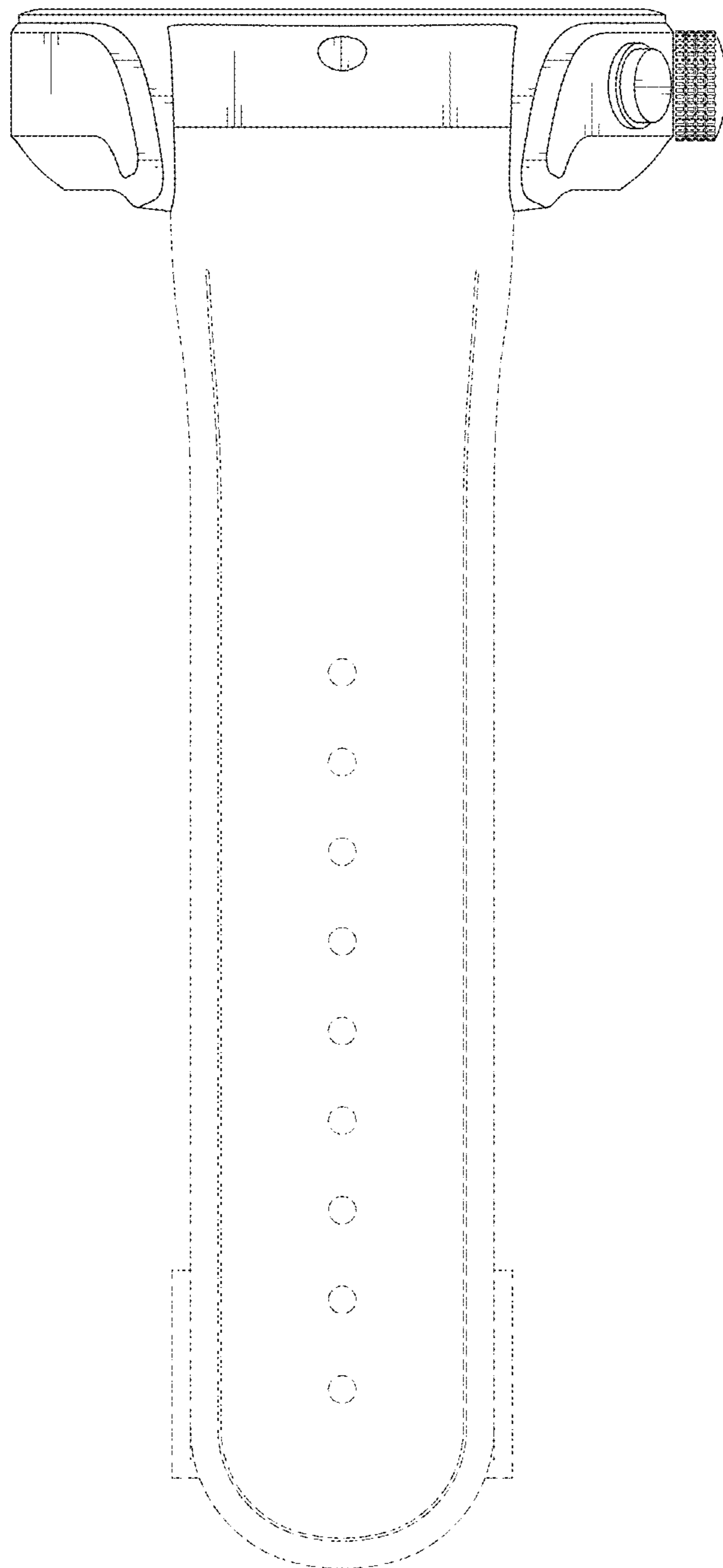


FIG. 3

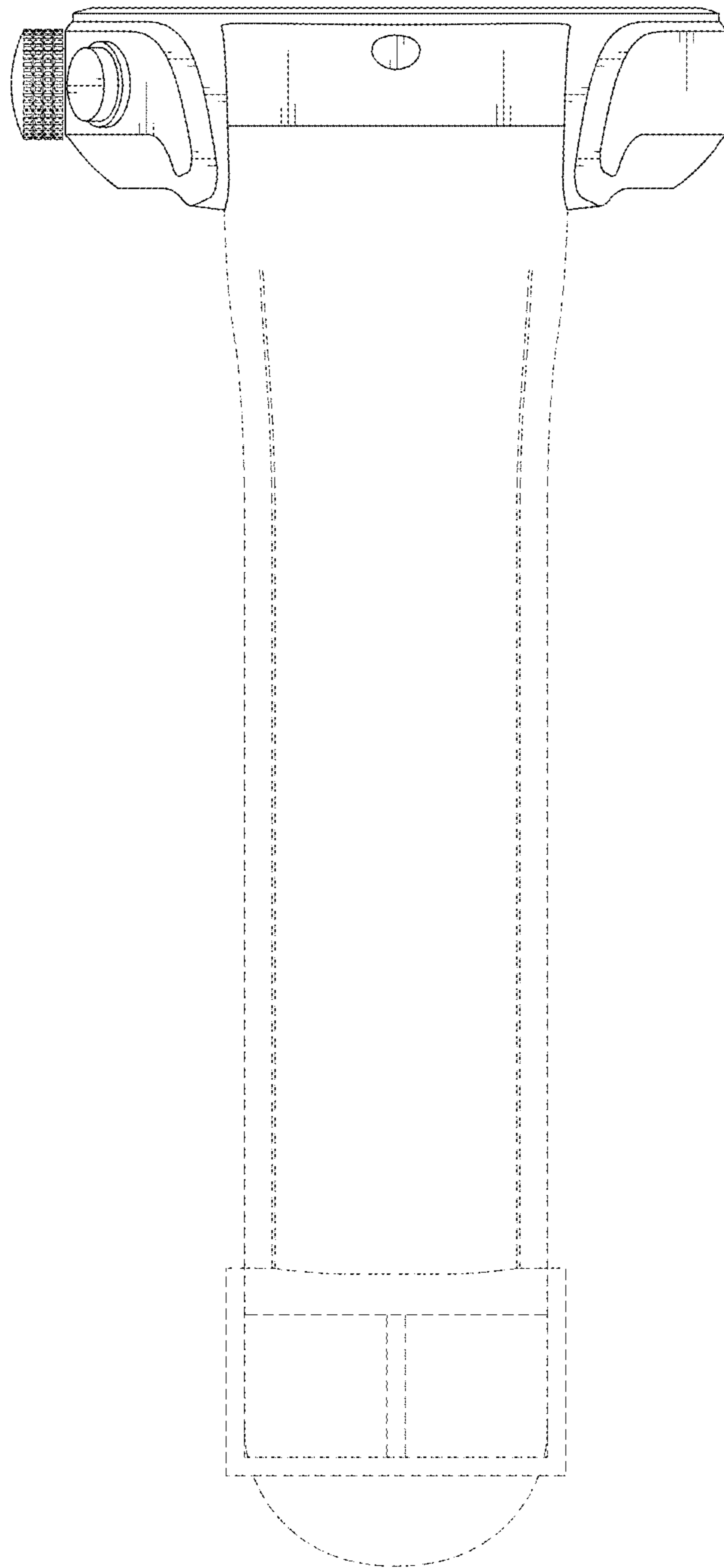


FIG. 4

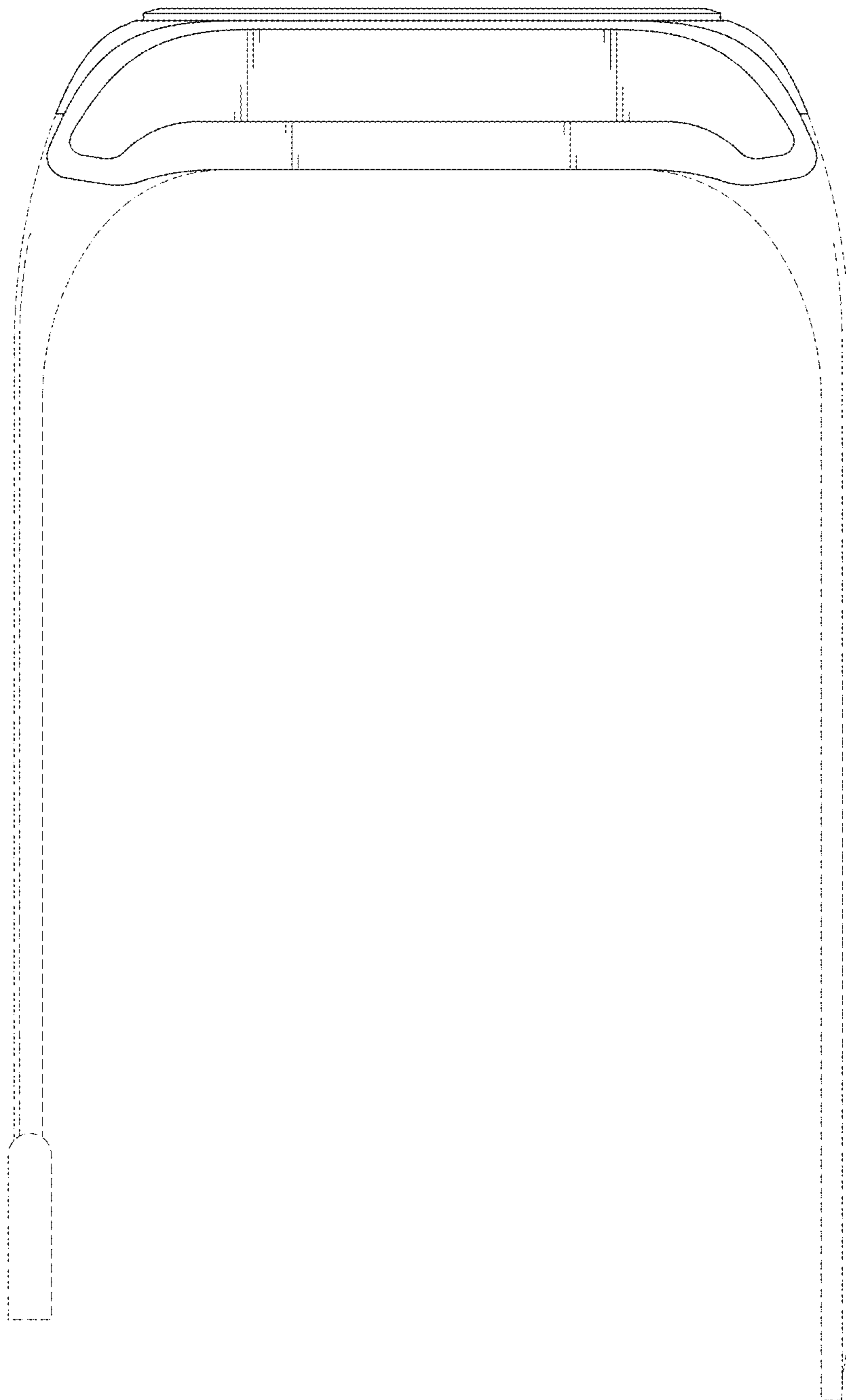


FIG. 5

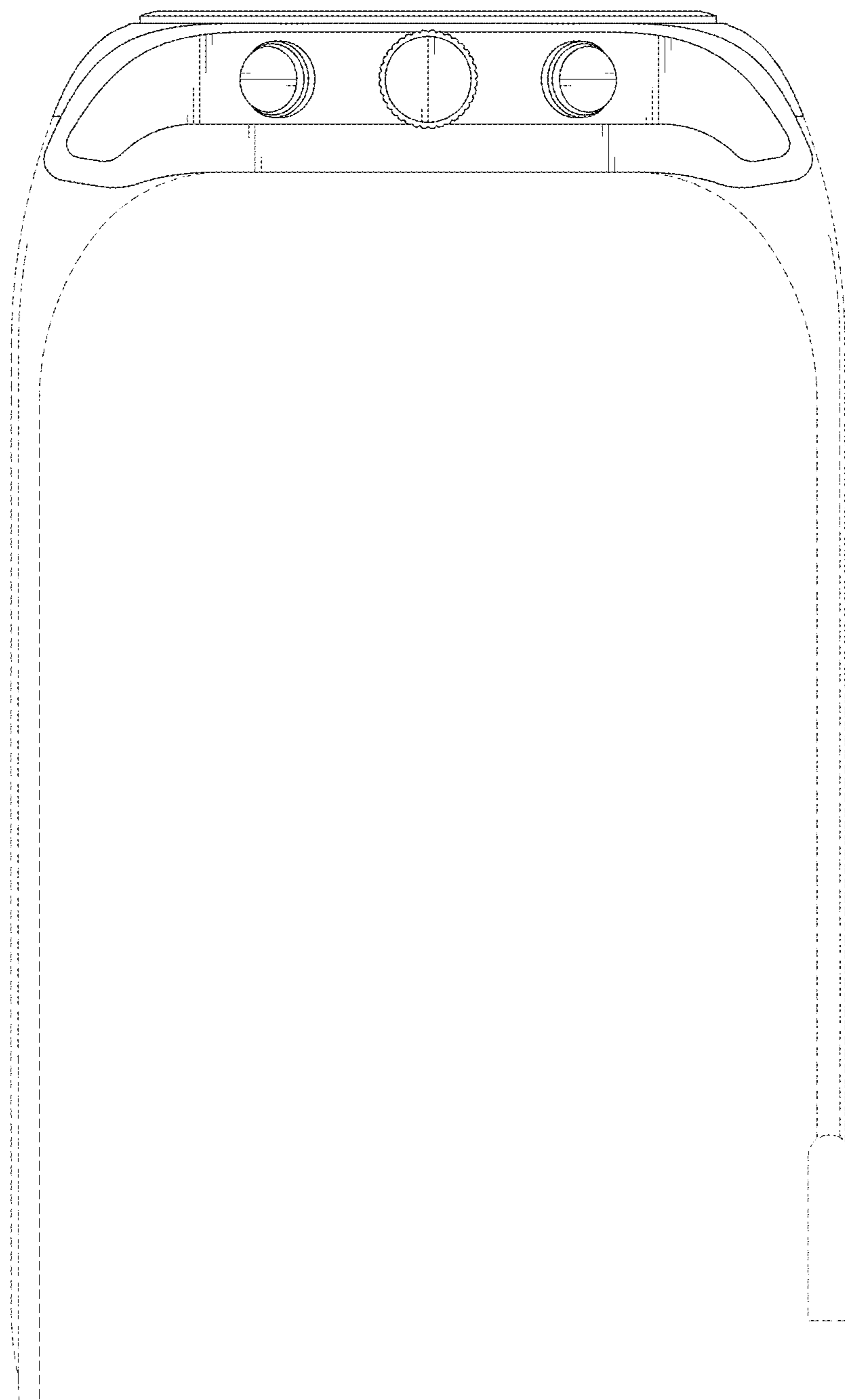


FIG. 6

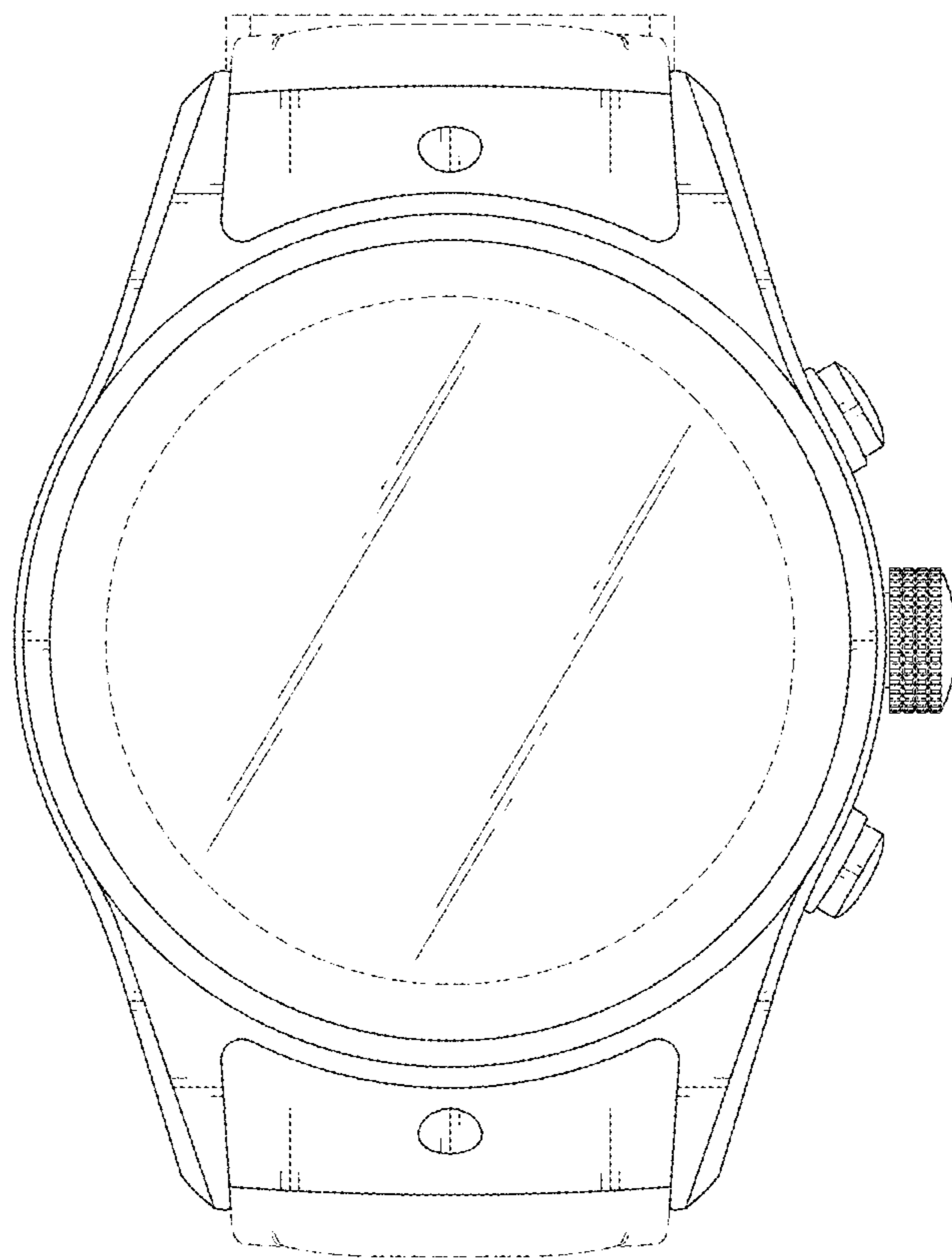


FIG. 7

