



US00D776108S

(12) **United States Design Patent**  
**Hsu**

(10) **Patent No.:** **US D776,108 S**

(45) **Date of Patent:** **\*\* \*Jan. 10, 2017**

(54) **PORTABLE ELECTRONIC DEVICE**

(71) Applicant: **BungBungame Inc.**, Taipei (TW)

(72) Inventor: **San-Tai Hsu**, Taipei (TW)

(73) Assignee: **BungBungame Inc.**, Taipei (TW)

(\*) Notice: This patent is subject to a terminal disclaimer.

(\*\*) Term: **14 Years**

(21) Appl. No.: **29/473,759**

(22) Filed: **Nov. 26, 2013**

(51) **LOC (10) Cl.** ..... **14-02**

(52) **U.S. Cl.**  
USPC ..... **D14/341**

(58) **Field of Classification Search**

USPC . D14/341-347, 137, 138 R, 138 AA, 138 C, D14/138 G, 496, 203.1, 203.3, 203.4, D14/203.7, 129, 130, 147, 218, 247, 248, D14/250, 374, 371, 385, 388, 389, D14/315-318, 420, 426, 439; D6/308, D6/310; D10/65, 104.1; D19/26, 59, D19/60; D21/324, 329, 330, 332; D21/248/917-924; 463/37; 455/556.1, 455/556.2, 566, 575.1, 90.3; 379/433.04, 379/433.01, 433.06, 916; 345/173, 345/901, 905; 348/376; 361/679.26, 361/679.27, 679.3, 679.55, 679.56, 361/679.59, 679.21

CPC H04M 1/0202; H04M 1/0279; H04M 1/0281; H04M 1/0823; H04M 1/0214; H04M 1/0264; H04M 1/72544; H04M 1/72552; G06F 1/1613; G06F 1/1624; G06F 1/1626; G06F 1/165; G06F 3/0485; G06F 3/0488

See application file for complete search history.

(56) **References Cited**

**U.S. PATENT DOCUMENTS**

D587,704 S \* 3/2009 McCoy ..... D14/345  
D629,798 S \* 12/2010 Arie et al. .... D14/341

D639,806 S \* 6/2011 Lee et al. .... D14/345  
D649,966 S \* 12/2011 Chiu ..... D14/341  
D652,418 S \* 1/2012 Rashid et al. .... D14/341  
D677,236 S \* 3/2013 Kim et al. .... D14/138 G  
D677,660 S \* 3/2013 Groene et al. .... D14/341  
D680,527 S \* 4/2013 Reeves et al. .... D14/341  
D680,528 S \* 4/2013 Reeves et al. .... D14/341  
D680,529 S \* 4/2013 Reeves et al. .... D14/341  
D684,554 S \* 6/2013 Park et al. .... D14/138 G  
D686,586 S \* 7/2013 Cho et al. .... D14/138 G  
D688,222 S \* 8/2013 Fujimura et al. .... D14/138 G  
D689,840 S \* 9/2013 Lu ..... D14/138 G  
D690,297 S \* 9/2013 Chang et al. .... D14/341  
D693,787 S \* 11/2013 Reivo et al. .... D14/138 G  
D697,889 S \* 1/2014 Ahn et al. .... D14/138 G  
D700,164 S \* 2/2014 Park et al. .... D14/138 G  
D703,179 S \* 4/2014 Choe et al. .... D14/138 G  
D705,776 S \* 5/2014 Groene et al. .... D14/341  
D705,777 S \* 5/2014 Groene et al. .... D14/341  
D709,850 S \* 7/2014 Kim et al. .... D14/138 G  
D710,842 S \* 8/2014 Ho ..... D14/341  
D719,150 S \* 12/2014 Daniel ..... D14/341

(Continued)

**OTHER PUBLICATIONS**

Information cited by various websites due to the disclosure by inventor.

*Primary Examiner* — Eric Goodman

*Assistant Examiner* — Clese Moore, Jr.

(57) **CLAIM**

The ornamental design for a portable electronic device, as shown and described.

**DESCRIPTION**

FIG. 1 is a front perspective view of a portable electronic device in accordance with the present invention;  
FIG. 2 is a front view thereof;  
FIG. 3 is a rear view thereof;  
FIG. 4 is a left side view thereof;  
FIG. 5 is a right side view thereof;  
FIG. 6 is a top view thereof;  
FIG. 7 is a bottom view thereof;  
FIG. 8 is a partially enlarged view of encircled portion 8 as illustrated in FIG. 4; and,

(Continued)

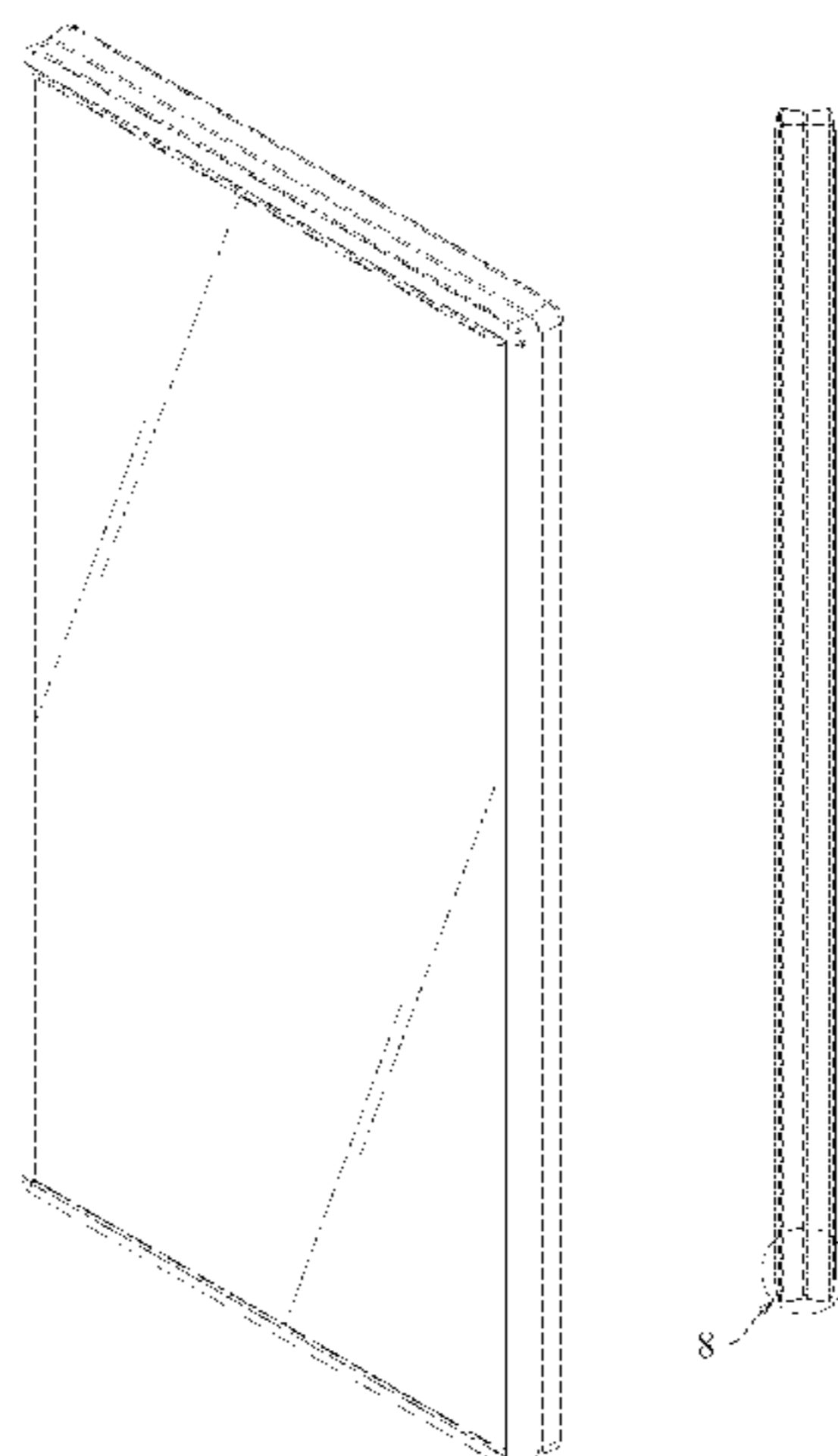


FIG. 9 is a partially enlarged view of encircled portion 9 as illustrated in FIG. 6.

**1 Claim, 6 Drawing Sheets**

(56) **References Cited**

U.S. PATENT DOCUMENTS

D719,940 S \* 12/2014 Lee et al. .... D14/248  
D721,667 S \* 1/2015 Chuang et al. .... D14/138 G  
2013/0017865 A1\* 1/2013 Allore et al. .... 455/566

\* cited by examiner

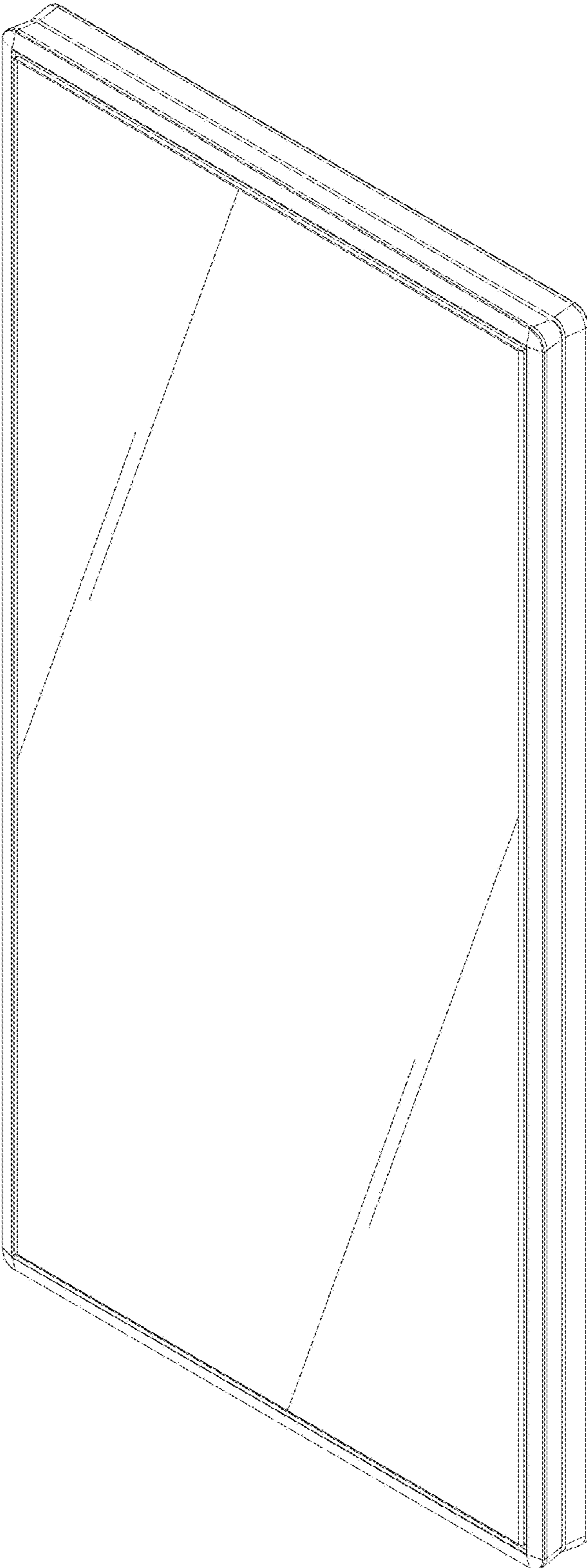


FIG. 1

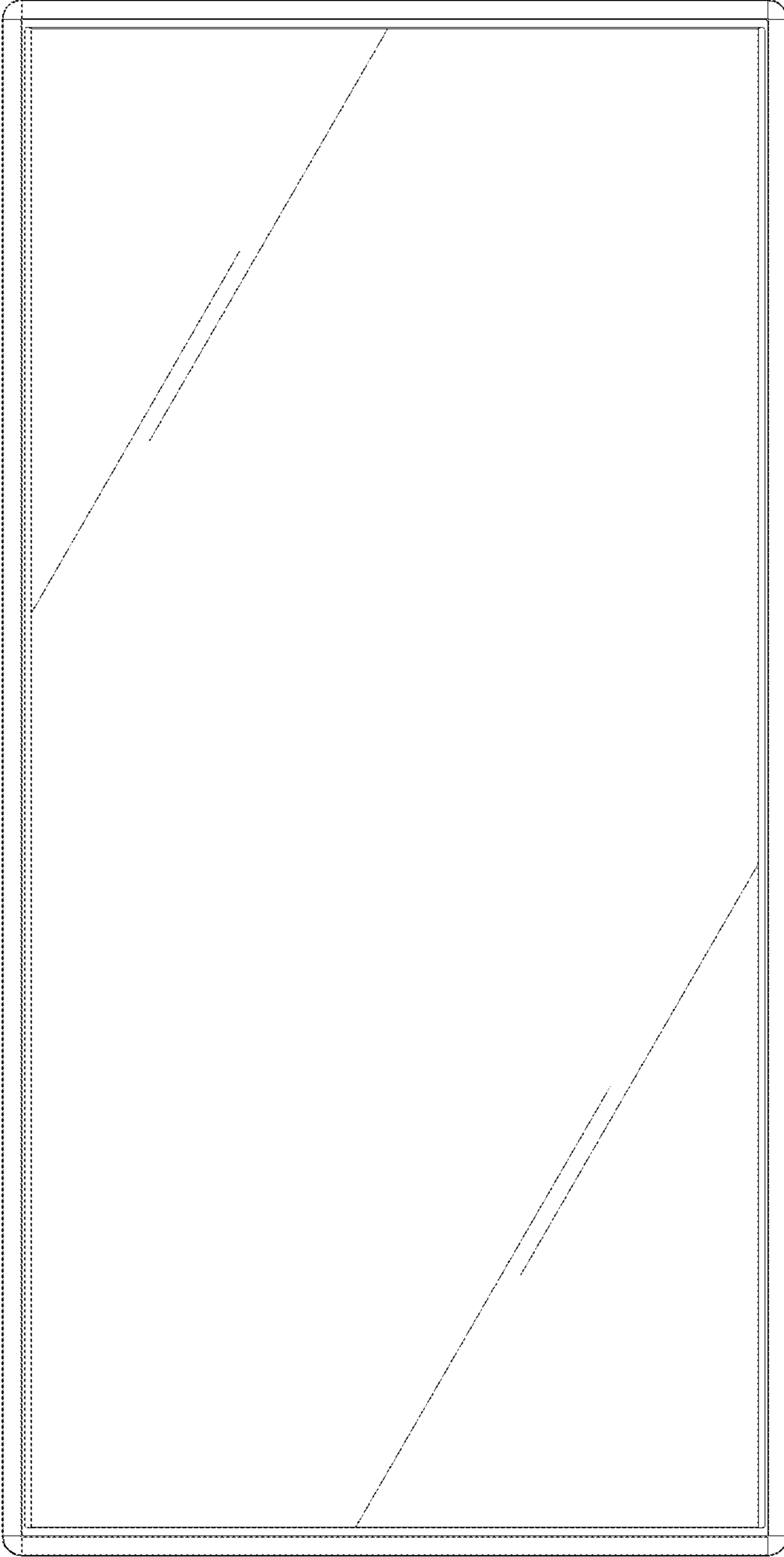


FIG. 2

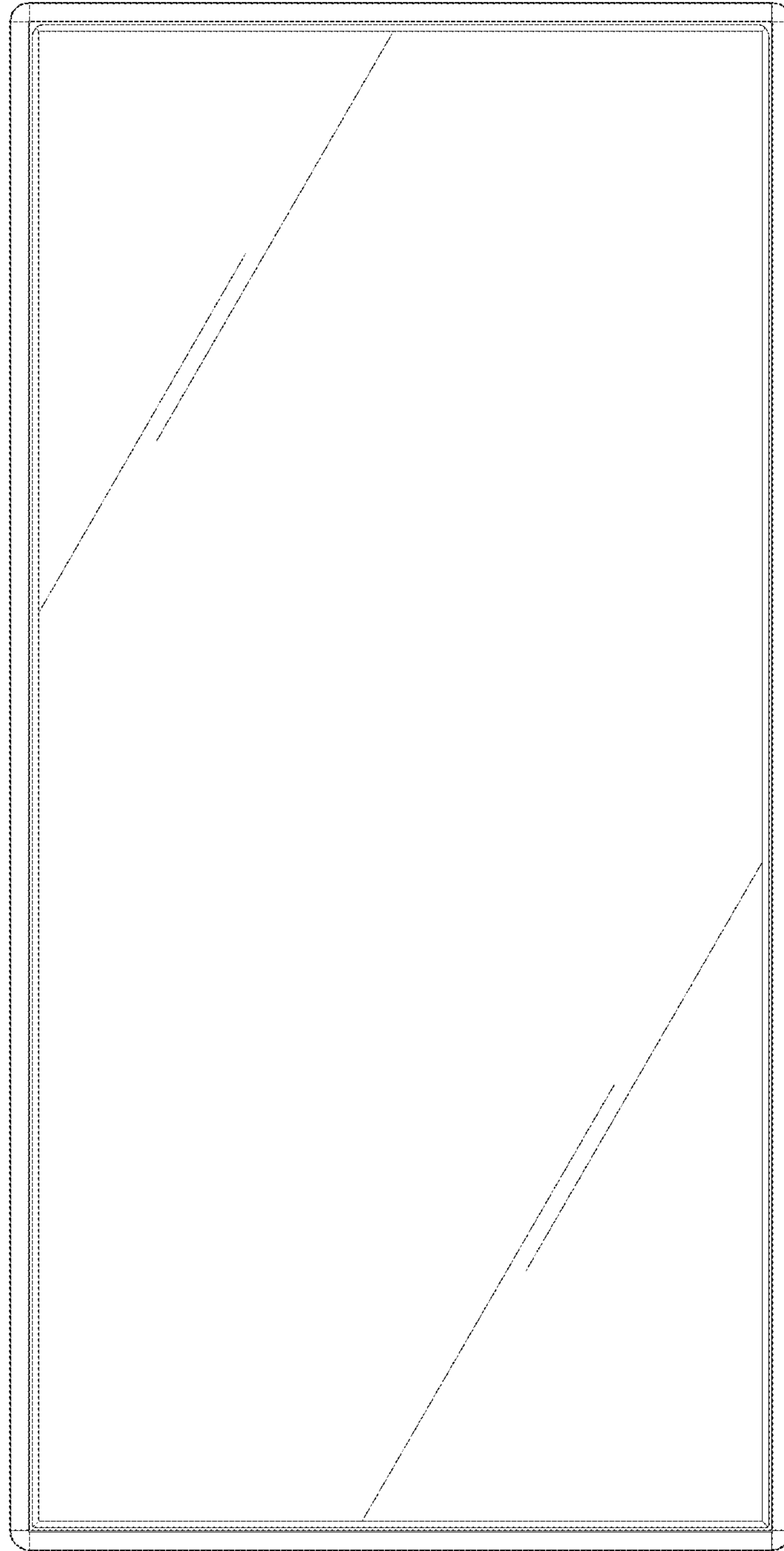


FIG. 3

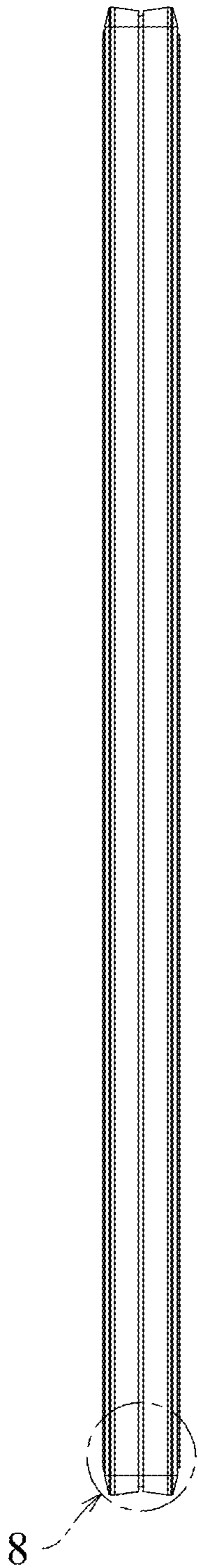


FIG. 4

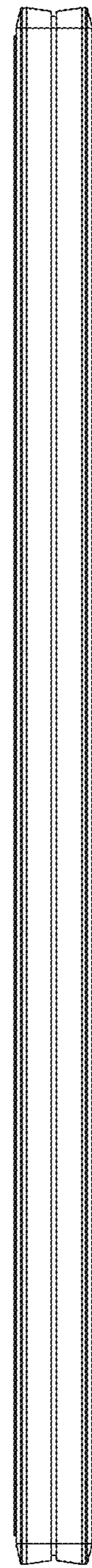


FIG. 5

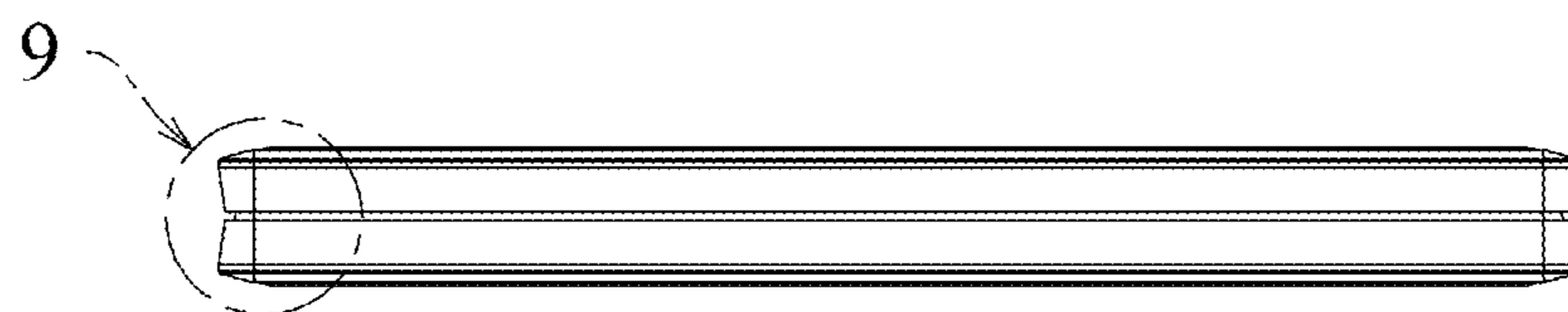


FIG. 6



FIG. 7

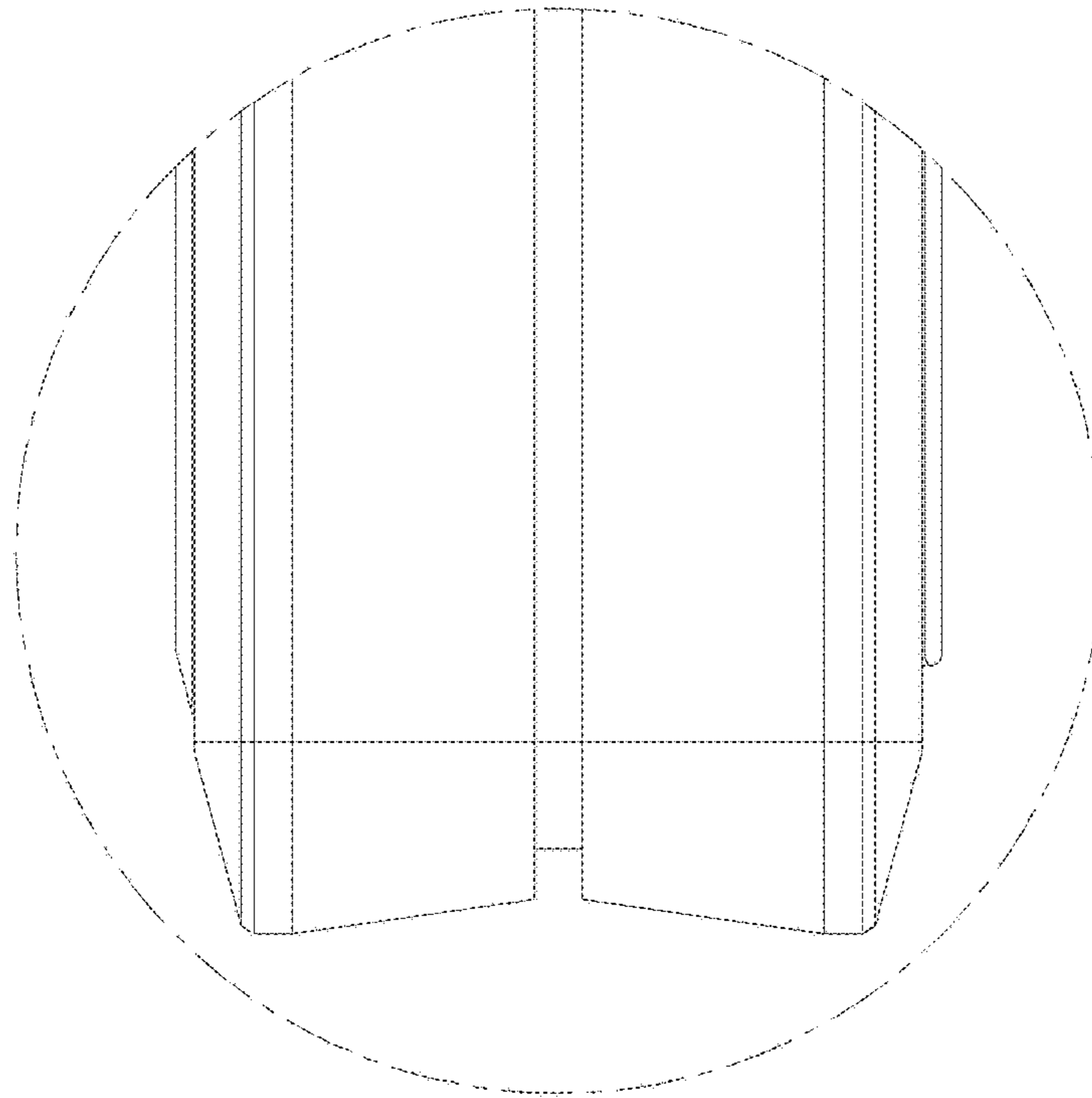


FIG. 8

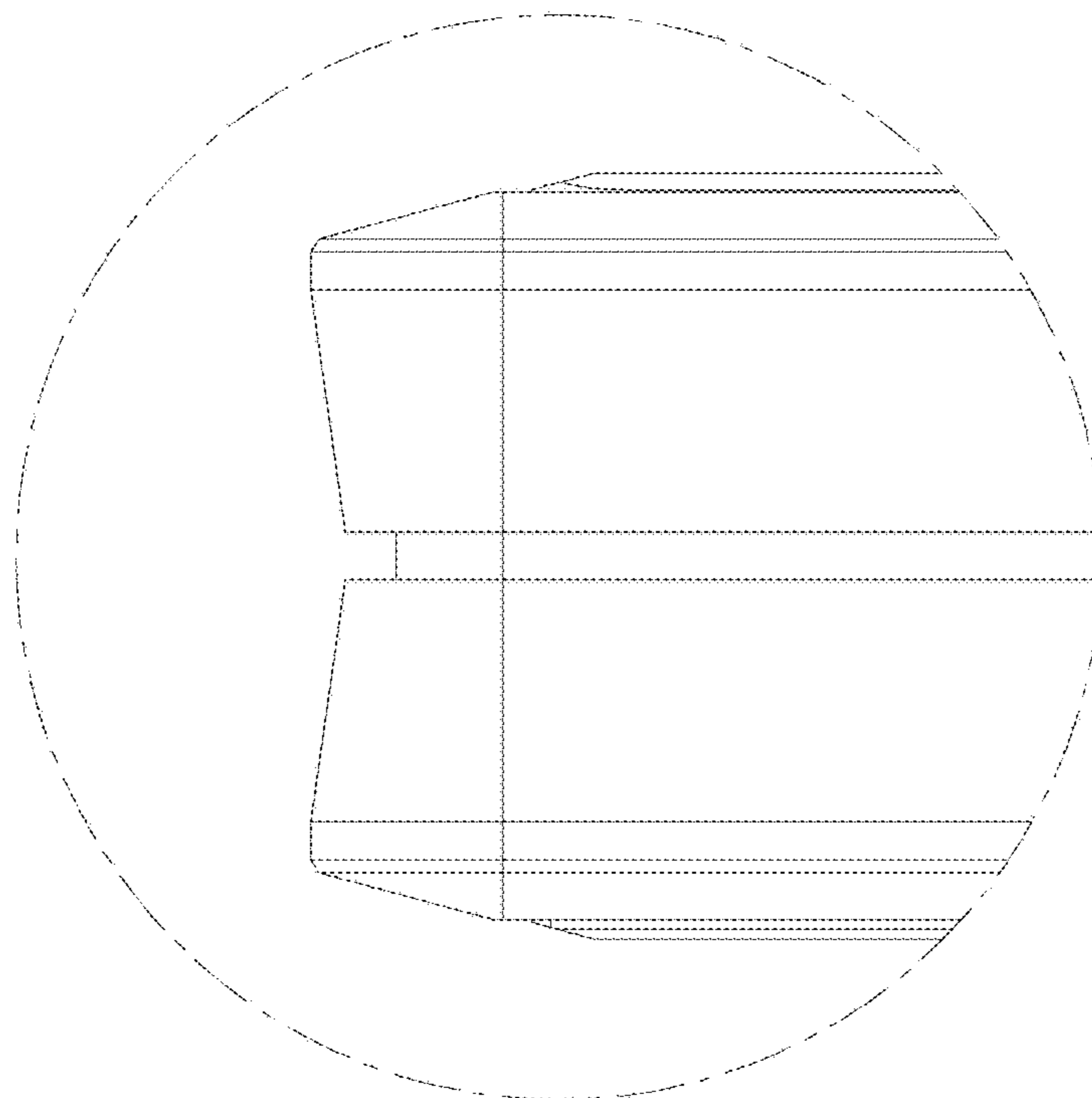


FIG. 9