



US00D776101S

(12) **United States Design Patent**
Poon

(10) **Patent No.:** **US D776,101 S**
(45) **Date of Patent:** **** Jan. 10, 2017**

(54) **DEVICE CASE**

(71) Applicant: **Griffin Technology, Inc.**, Nashville, TN (US)

(72) Inventor: **Daniel Poon**, Nashville, TN (US)

(73) Assignee: **Griffin Technology, Inc.**, Nashville, TN (US)

(**) Term: **14 Years**

(21) Appl. No.: **29/520,951**

(22) Filed: **Mar. 19, 2015**

(51) **LOC (10) Cl.** **14-03**

(52) **U.S. Cl.**

USPC **D14/250**

(58) **Field of Classification Search**

USPC D14/138 AA, 138 C, 138 G, 138 R, 142, D14/143, 188, 189, 203.2-203.7, 203.8, D14/217, 238.1, 240, 248, 250-253, 341, D14/345, 347, 353, 440, 447, 496, 507; D13/103, 108, 119; D3/201, 218, 247, D3/269, 273, 303

CPC A45C 1/06; A45C 11/00; A45C 11/002; A45C 2011/002; A45F 2005/026; A45F 2200/0525; A45F 2200/516; H04B 1/3888; H04M 1/0283; H04M 1/0202; H04M 1/003

See application file for complete search history.

(56) **References Cited**

U.S. PATENT DOCUMENTS

D673,546 S * 1/2013 Magness D14/250
D685,778 S * 7/2013 Fahrendorff D14/250

D737,277 S * 8/2015 Song D14/450
D756,980 S * 5/2016 Beeman D14/250
2012/0106054 A1 * 5/2012 Royz F16M 11/10
361/679.3
2014/0098476 A1 * 4/2014 Severson H05K 5/03
361/679.01
2015/0216064 A1 * 7/2015 Wu F16M 11/10
248/346.3
2016/0113368 A1 * 4/2016 Tu H04B 1/3888
206/45.23

* cited by examiner

Primary Examiner — Eric Goodman

Assistant Examiner — Amy Wierenga

(74) *Attorney, Agent, or Firm* — Hornkohl Intellectual Property Law, PLLC; Jason L. Hornkohl

(57) **CLAIM**

The ornamental design for a device case, as shown and described.

DESCRIPTION

FIG. 1 is an isometric front view of the new design for a device case;

FIG. 2 is an isometric back view of the device case from the lower right side;

FIG. 3 is an isometric back view of the device case from the upper left side;

FIG. 4 is a front view of the device case;

FIG. 5 is a left side view of the device case;

FIG. 6 is a right side view of the device case;

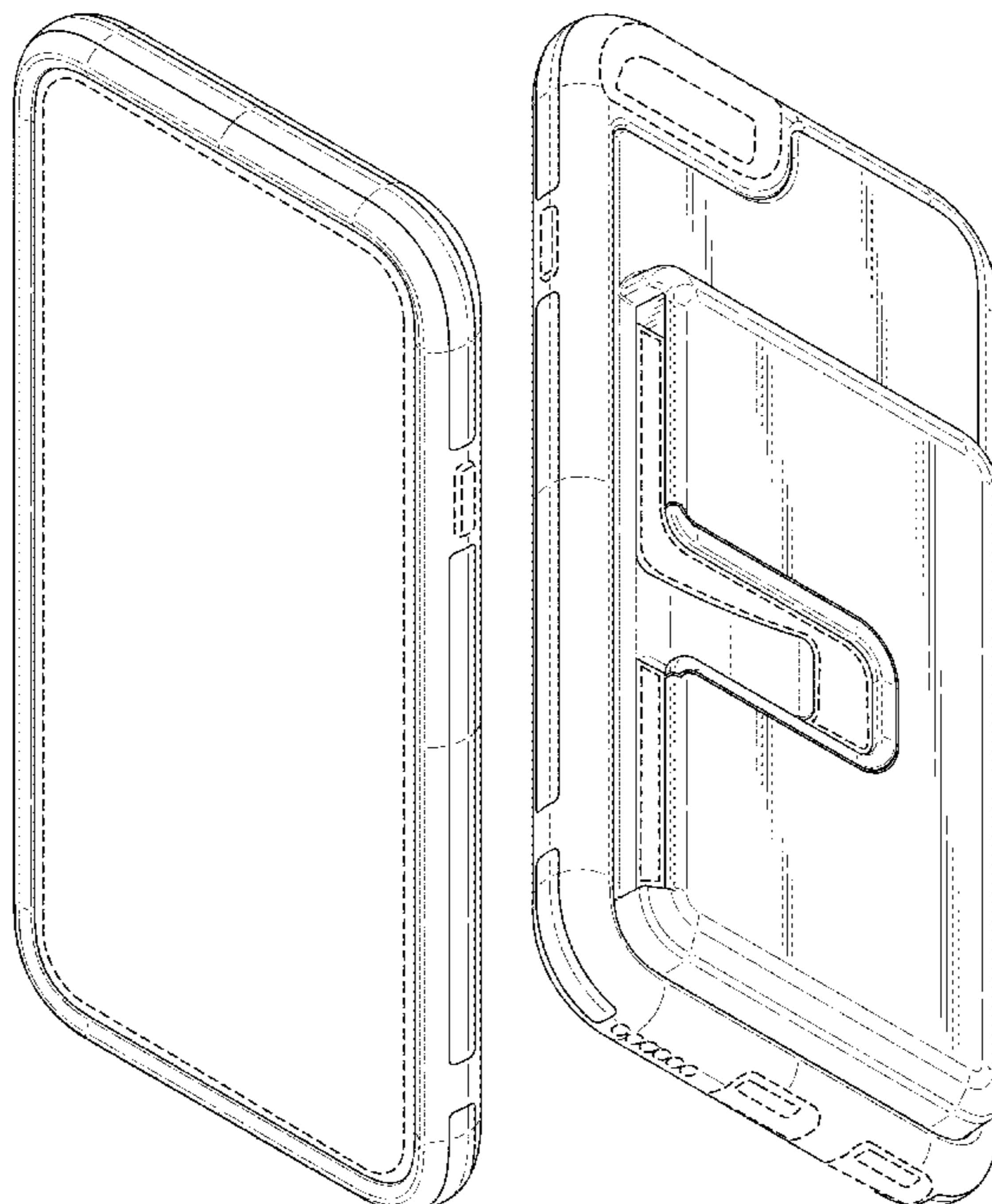
FIG. 7 is a top view of the device case;

FIG. 8 is a bottom view of the device case; and,

FIG. 9 is a back view of the device case.

The broken lines depict portions of the device case that form no part of the claim.

1 Claim, 7 Drawing Sheets



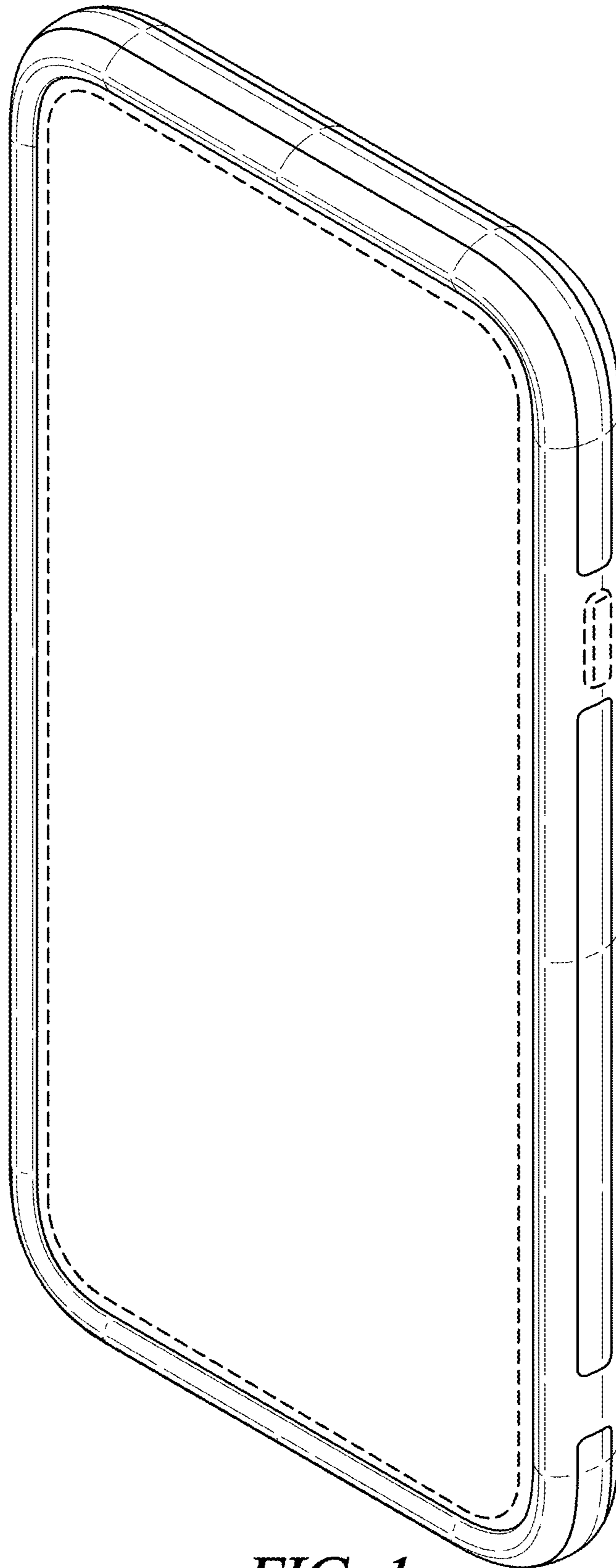


FIG. 1

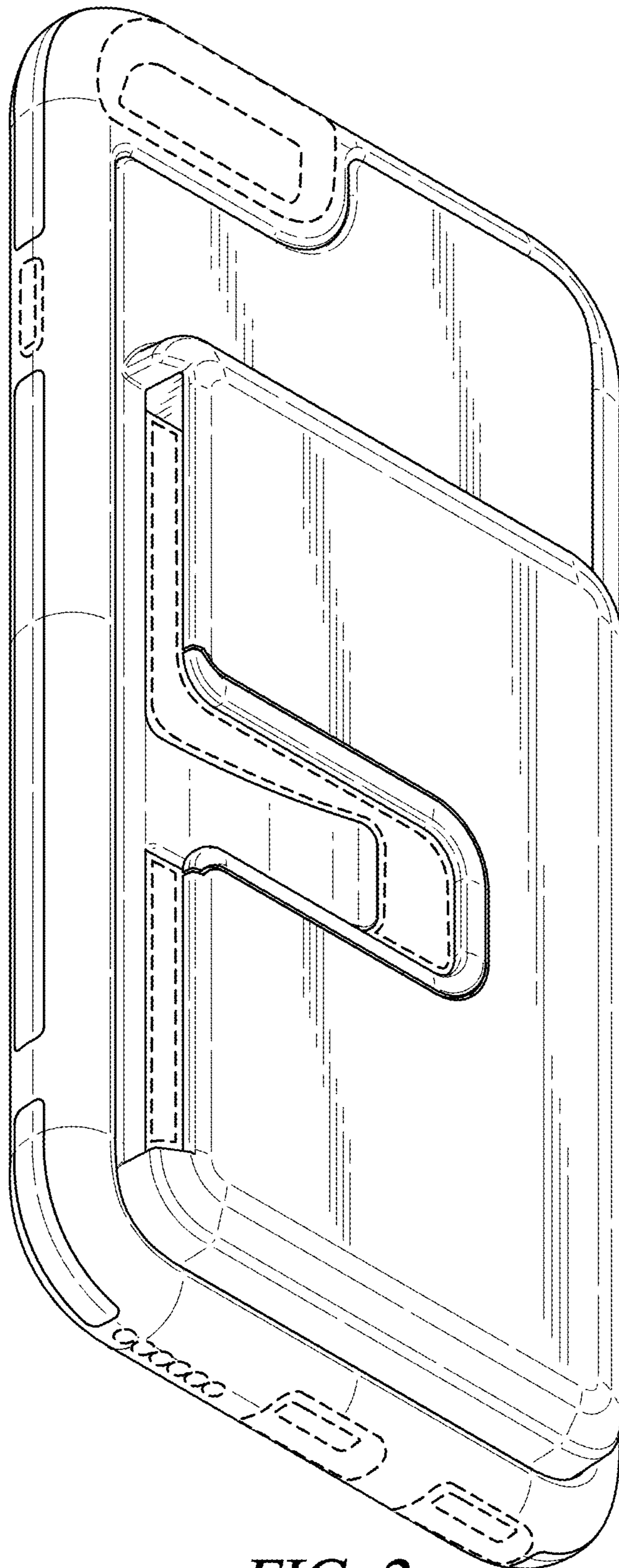


FIG. 2

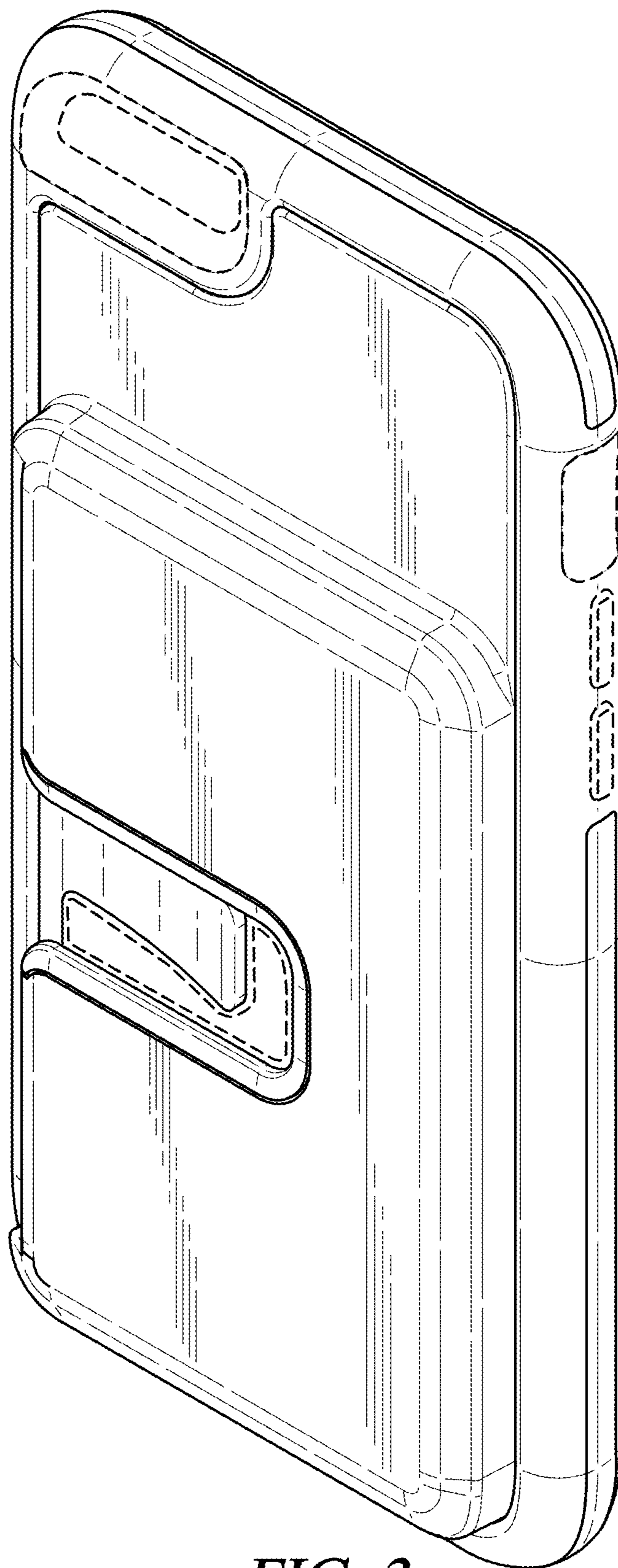


FIG. 3

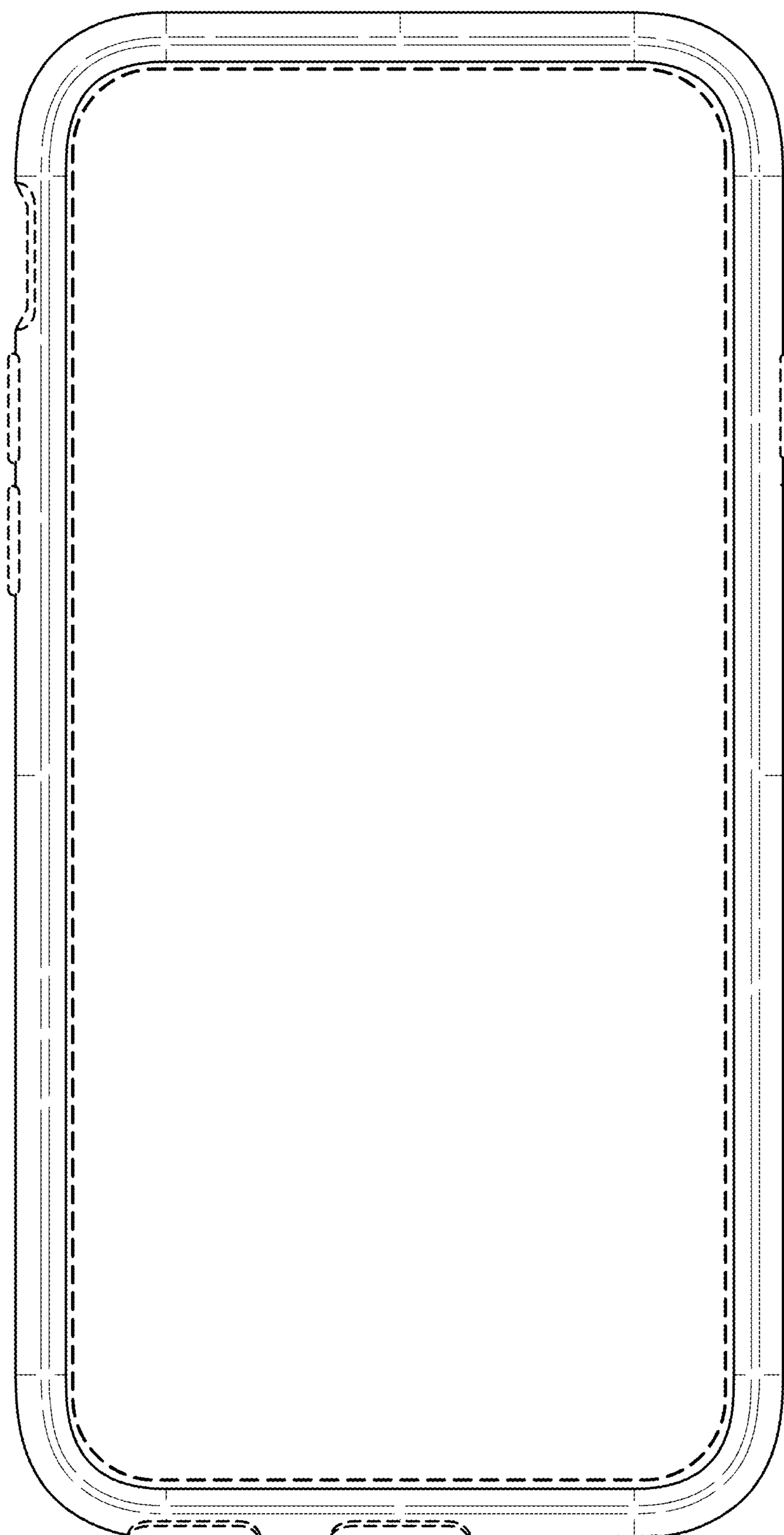


FIG. 4

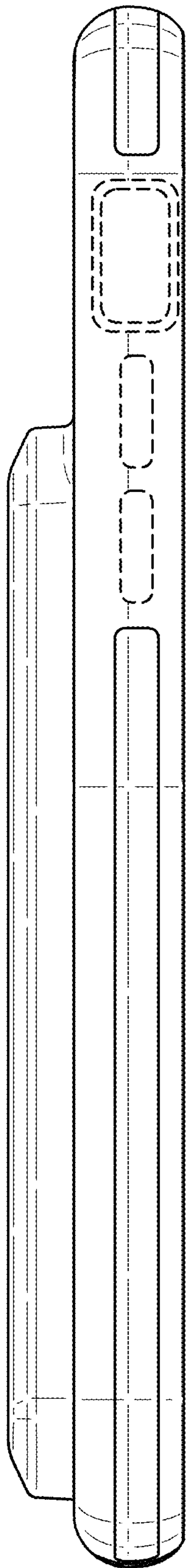


FIG. 5

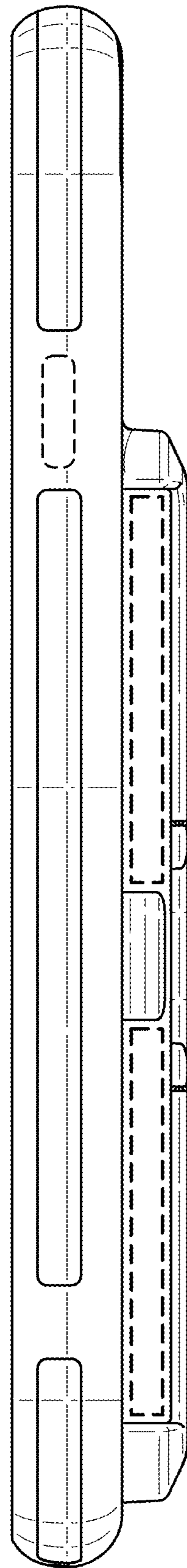


FIG. 6

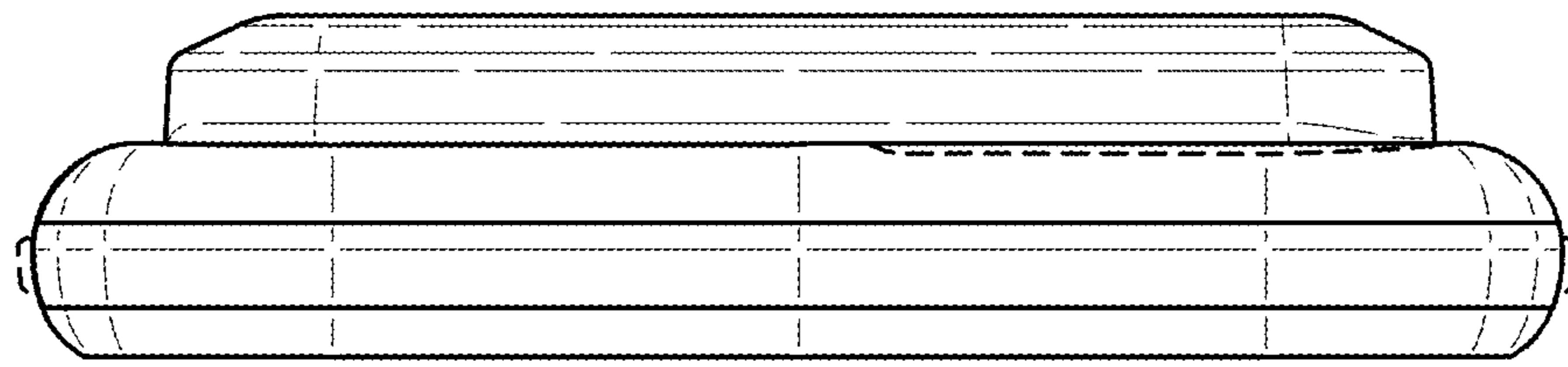


FIG. 7

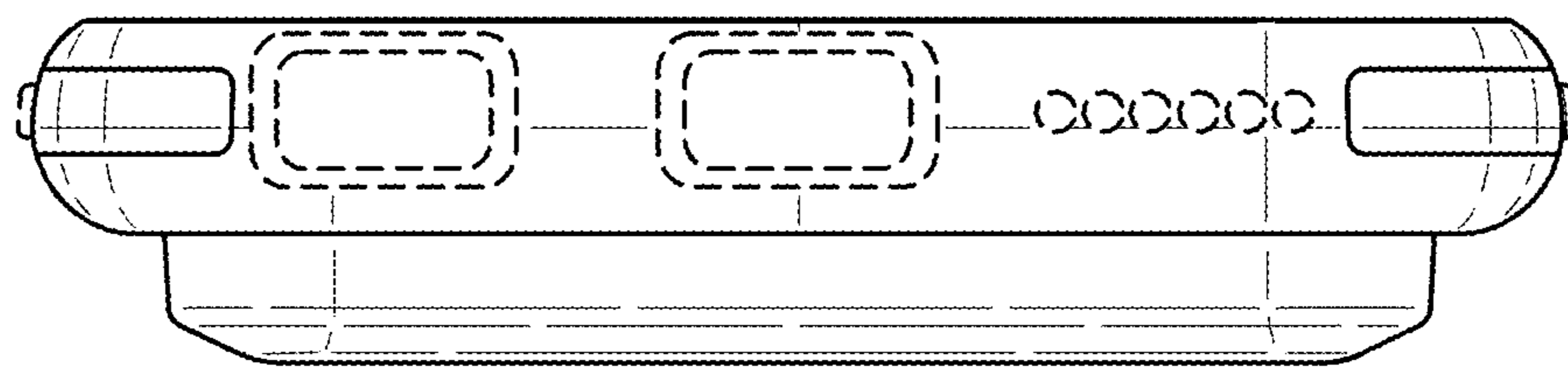


FIG. 8

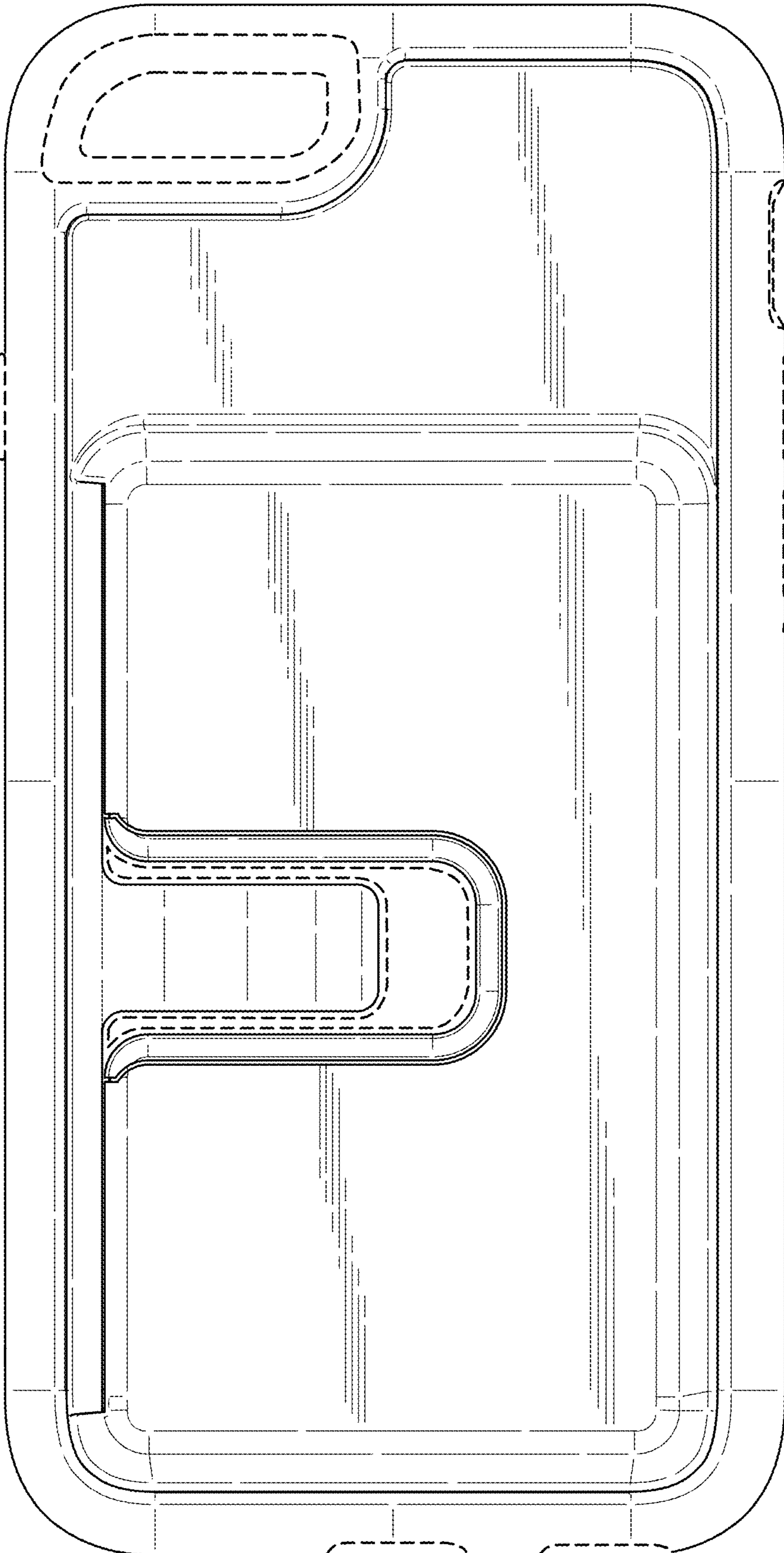


FIG. 9