



US00D776095S

(12) **United States Design Patent**
Brown

(10) **Patent No.:** **US D776,095 S**
(45) **Date of Patent:** **** Jan. 10, 2017**

(54) **ADAPTER PLATE FOR USE WITH MOUNTING SYSTEMS FOR AUDIO/VISUAL DEVICES OR THE LIKE**

(71) Applicant: **Peerless Industries, Inc.**, Aurora, IL (US)

(72) Inventor: **Christopher Brown**, Lombard, IL (US)

(73) Assignee: **Peerless Industries, Inc.**, Aurora, IL (US)

(**) Term: **15 Years**

(21) Appl. No.: **29/566,934**

(22) Filed: **Jun. 3, 2016**

Related U.S. Application Data

(62) Division of application No. 29/518,351, filed on Feb. 23, 2015, now Pat. No. Des. 763,235.

(51) **LOC (10) Cl.** **14-03**

(52) **U.S. Cl.**
USPC **D14/239**

(58) **Field of Classification Search**
USPC D14/239, 371, 136, 374-377; D8/363, D8/373, 349, 394; 248/465, 917-924, 248/123.11; 348/825, 827, 836, 837, 838, 348/180, 184, 325, 739; 600/443; D6/477-479, 407, 474, 460, 461, 468; 312/7.2; 341/12; 345/87, 104, 133, 156, 345/168, 169, 173; 720/605, 669, 600, 720/655; 369/99, 197; 455/344-347; 349/1, 2, 11, 62; 108/59, 91, 92, 96; 211/40, 41.12, 42, 49.1, 50, 85.2, 90.04, 211/187, 190, 119.003, 134.153, 87.01, 211/71.01

CPC A47B 43/00; G03B 1/00
See application file for complete search history.

(56) **References Cited**

U.S. PATENT DOCUMENTS

D505,858 S 6/2005 O'Keene
D558,560 S 1/2008 Ciungan
D558,561 S 1/2008 Ciungan

D558,562 S 1/2008 Ciungan et al.
D558,563 S 1/2008 Ciungan
D558,564 S 1/2008 Ciungan
D559,087 S 1/2008 Ciungan
D559,088 S 1/2008 Ciungan
D588,067 S 3/2009 Seropian
D597,086 S * 7/2009 Sergi D14/238
D626,407 S 11/2010 Tedesco et al.
D638,023 S 5/2011 Skull et al.
D646,685 S * 10/2011 Skull D14/452
D662,103 S 6/2012 Brandt
D666,207 S 8/2012 Brandt
RE44,115 E 4/2013 Lin
D684,146 S 6/2013 Stifal
D684,147 S 6/2013 Stifal
D693,799 S 11/2013 Badillo et al.
D694,739 S 12/2013 Badillo et al.

(Continued)

OTHER PUBLICATIONS

EZMount™, Model: 1830T Series, Selling Sheet for "LCD Tilt Wall Mount for Flat Pannels," Sycamore Manufacturing Co., Ltd., Kunshan, China, No date given, but at least as early as Feb. 23, 2015, the filing date of the present application.

(Continued)

Primary Examiner — Randall Gholson
(74) *Attorney, Agent, or Firm* — Foley & Lardner LLP

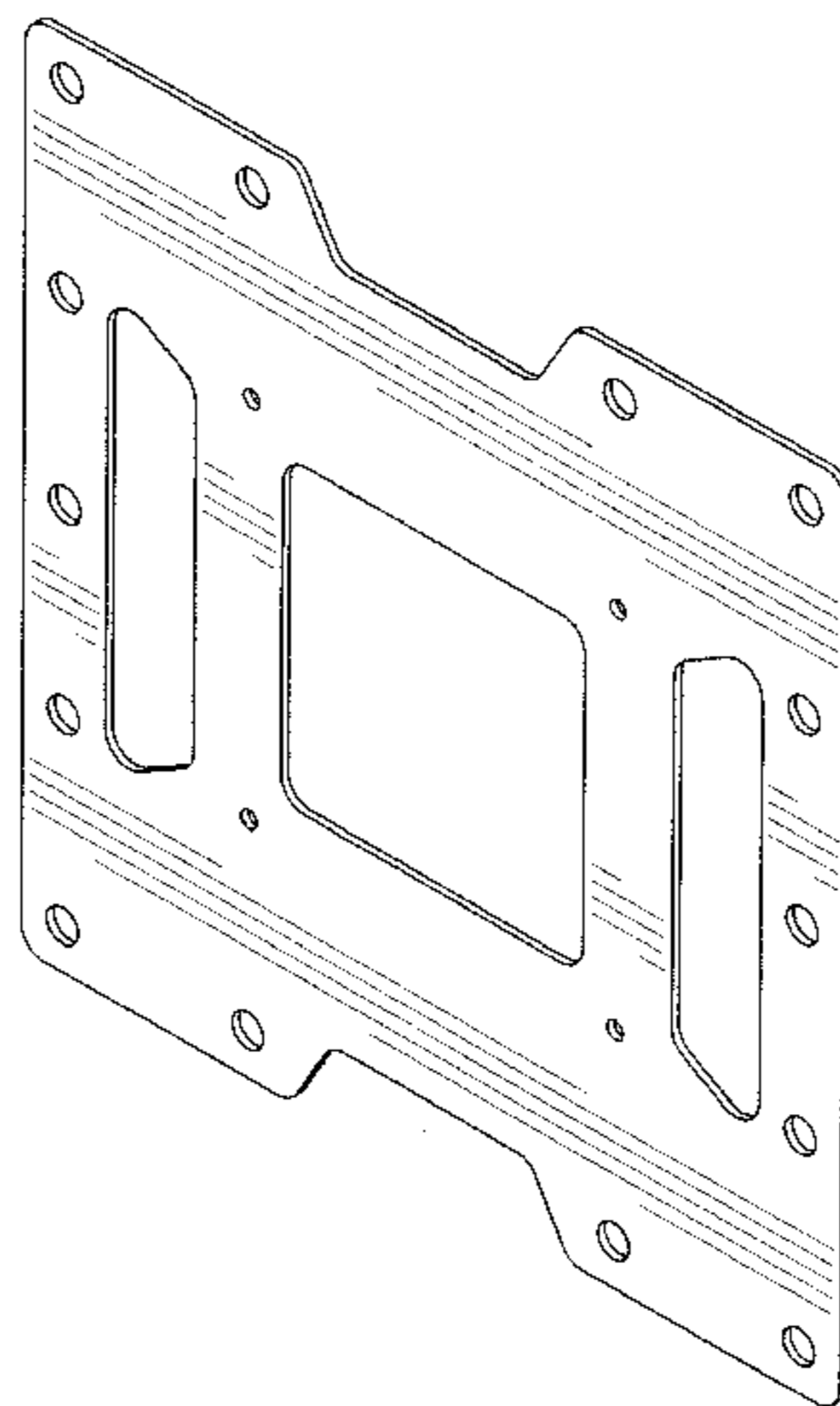
(57) **CLAIM**

I claim the ornamental design for a an adapter plate for use with mounting systems for audio/visual devices or the like, as shown and described.

DESCRIPTION

FIG. 1 is an isometric view of the claimed design; FIG. 2 is a front elevational view thereof; FIG. 3 is a rear elevational view thereof; FIG. 4 is a top plan view thereof; FIG. 5 is a bottom plan view thereof; FIG. 6 is a left side elevational view thereof; and, FIG. 7 is a right side elevational view thereof.

1 Claim, 5 Drawing Sheets



(56)

References Cited

U.S. PATENT DOCUMENTS

D698,737 S * 2/2014 Hagarty D13/156
D703,641 S * 4/2014 Xiang D14/239
D703,643 S 4/2014 Badillo et al.

OTHER PUBLICATIONS

EZMount™, Model: 1737P Series, Selling Sheet for “Pivot Wall Mount for Flat Panels,” Sycamore Manufacturing Co., Ltd., Kunshan, China, No date given, but at least as early as Feb. 23, 2015, the filing date of the present application.

EZMount™, Model: 1737A Series, Selling Sheet for “Articulating Wall Mount for Flat Panels,” Sycamore Manufacturing Co., Ltd., Kunshan, China, No date given, but at least as early as Feb. 23, 2015, the filing date of the present application.

EZMount™, Model: 1730A Series, Selling Sheet for “Articulating Wall Mount for Flat Panels,” Sycamore Manufacturing Co., Ltd., Kunshan, China, No date given, but at least as early as Feb. 23, 2015, the filing date of the present application.

EZMount™, Model: 1730P Series, Selling Sheet for “Pivot Wall Mount for Flat Panels,” Sycamore Manufacturing Co., Ltd., Kunshan, China, No date given, but at least as early as Feb. 23, 2015, the filing date of the present application.

EZMount™, Model: 1837T Series, Selling Sheet for “LCD Tilt Wall Mount for Flat Pannels,” Sycamore Manufacturing Co., Ltd., Kunshan, China, No date given, but at least as early as Feb. 23, 2015, the filing date of the present application.

EZMount™, Model: 1837F Series, Selling Sheet for “LCD Flat Wall Mount for Flat Pannels,” Sycamore Manufacturing Co., Ltd., Kunshan, China, No date given, but at least as early as Feb. 23, 2015, the filing date of the present application.

* cited by examiner

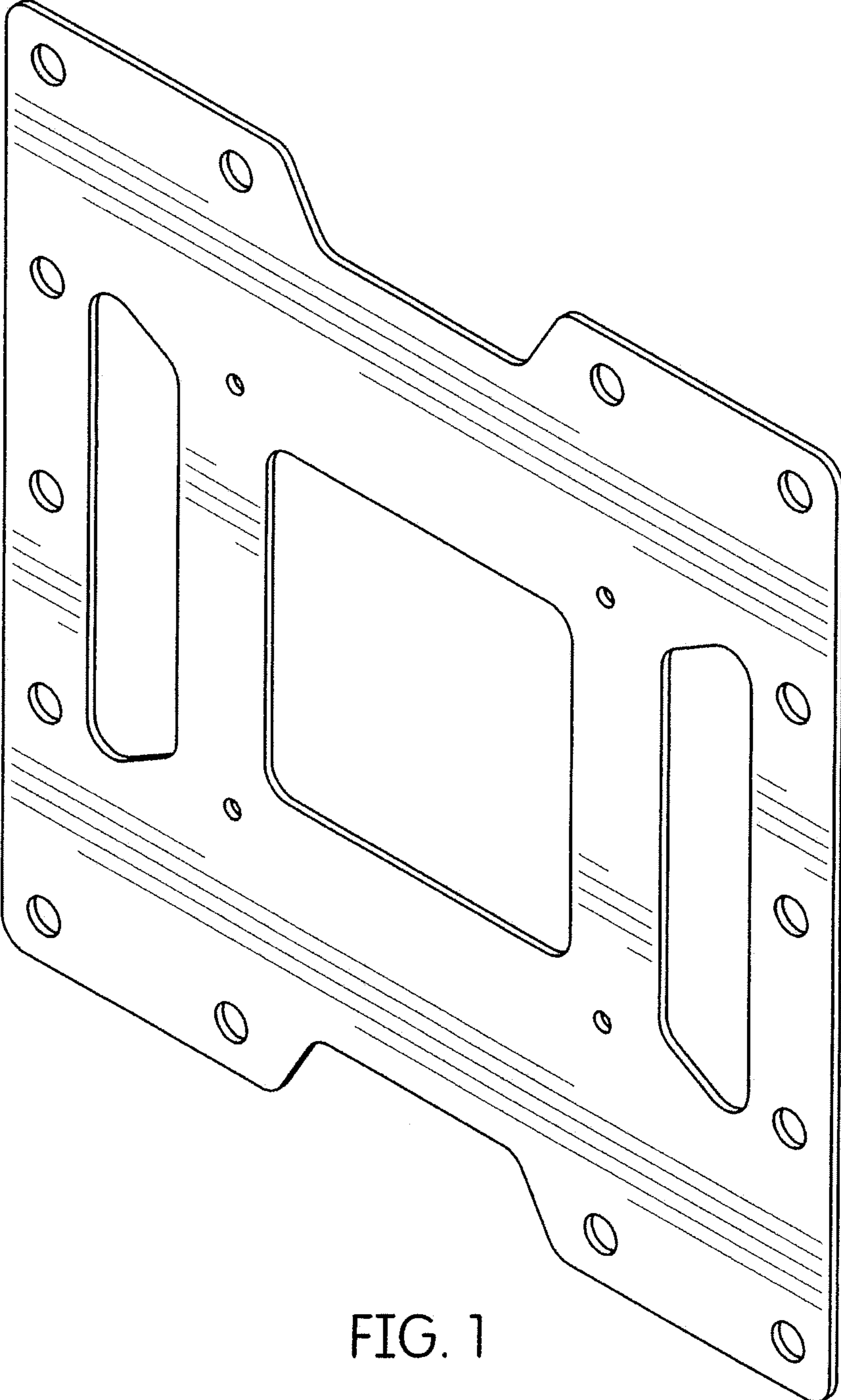


FIG. 1

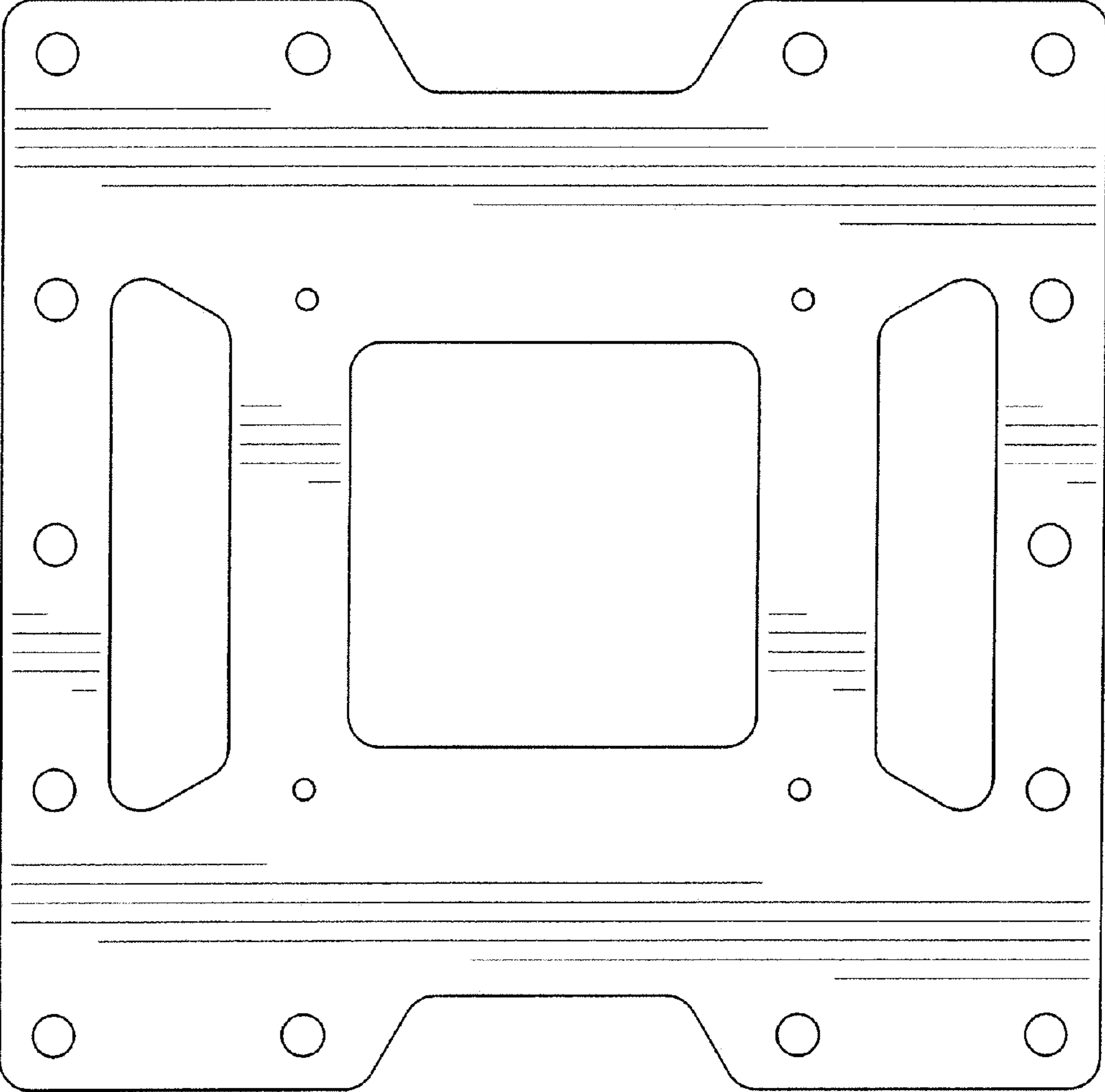


FIG. 2

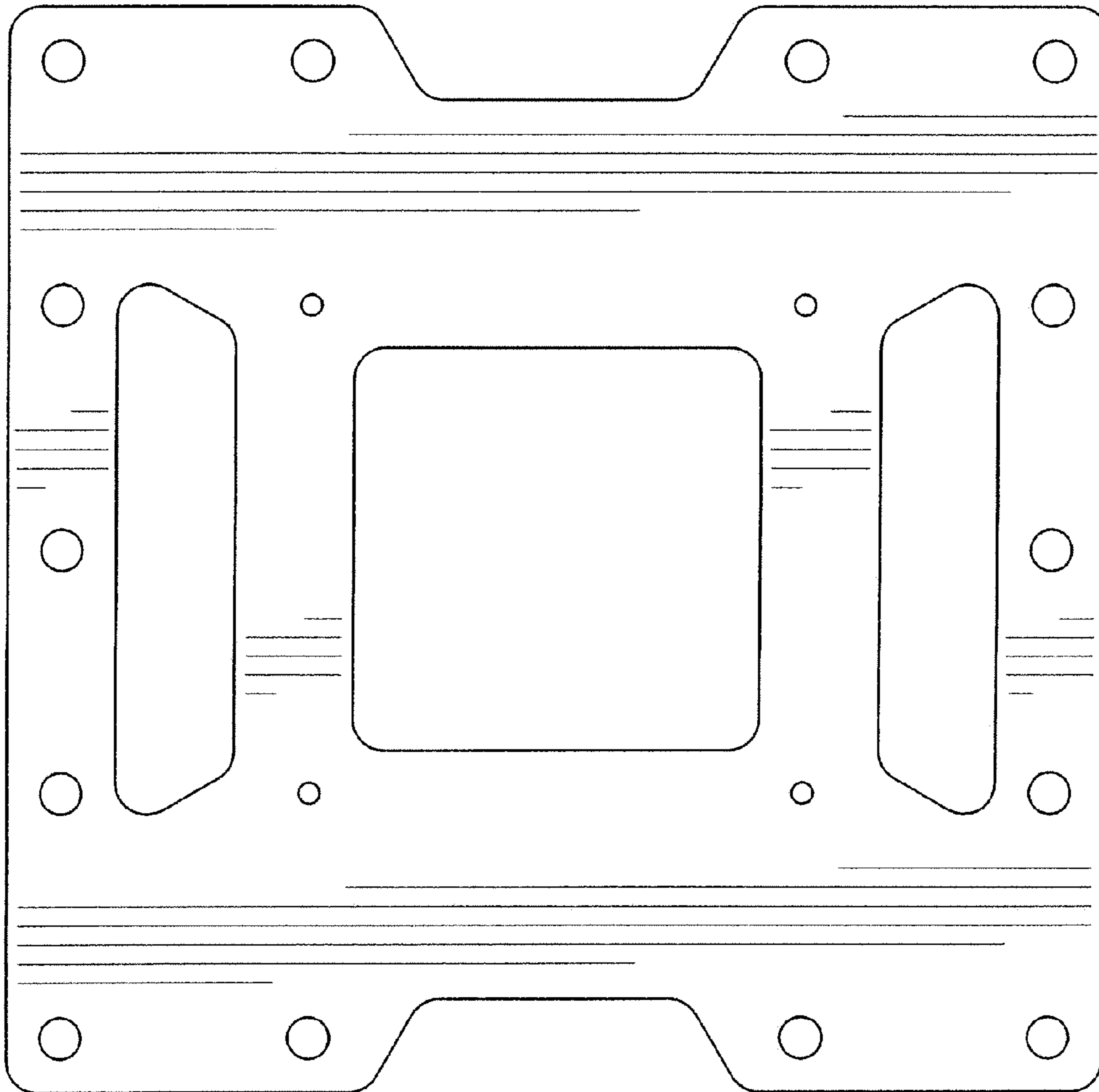


FIG. 3

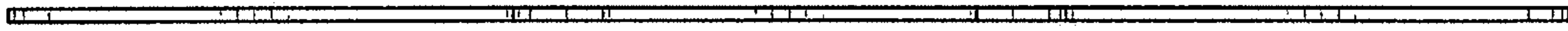


FIG. 4

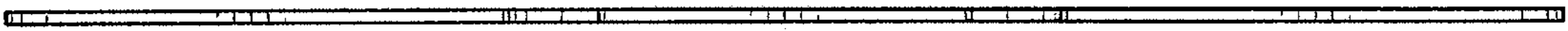


FIG. 5



FIG. 6



FIG. 7