



US00D776093S

(12) **United States Design Patent**
Forster et al.

(10) **Patent No.:** **US D776,093 S**
(45) **Date of Patent:** **** Jan. 10, 2017**

(54) **ANTENNA**

(71) Applicant: **Avery Dennison Retail Information Services, LLC**, Mentor, OH (US)

(72) Inventors: **Ian James Forster**, Chelmsford (GB);
Norman A. Howard, Ilford (GB)

(73) Assignee: **AVERY DENNISON RETAIL INFORMATION SERVICES, LLC**, Westborough, MA (US)

(**) Term: **14 Years**

(21) Appl. No.: **29/523,314**

(22) Filed: **Apr. 8, 2015**

(51) **LOC (10) Cl.** **14-03**

(52) **U.S. Cl.**
USPC **D14/230**

(58) **Field of Classification Search**
USPC D14/203–238; D21/300–304, 324–325,
D21/402–403, 443, 447, 471, 479, 487,
D21/503
CPC H04B 7/0617; H04B 7/0634; H04B 13/00;
H04B 1/001; H04B 1/0475; H04B 1/034;
H04M 1/026; H01Q 3/005; H01Q 3/34;
H01Q 7/00; H01Q 13/10; H01Q 9/285;
H01Q 19/30; H01Q 19/12; H01Q
1/38; G06F 1/18; H05K 11/00
See application file for complete search history.

(56) **References Cited**

U.S. PATENT DOCUMENTS

D602,480 S * 10/2009 Ikemoto D14/230
D695,278 S * 12/2013 Koskelainen D14/230
D704,170 S * 5/2014 Forster D14/230
D704,171 S * 5/2014 Forster D14/230
D708,171 S * 7/2014 Forster D14/230
D708,601 S * 7/2014 Forster D14/230

D710,338 S * 8/2014 Forster D14/230
D710,835 S * 8/2014 Forster D14/230
D713,393 S * 9/2014 Forster D14/230
D713,394 S * 9/2014 Forster D14/230
D713,827 S * 9/2014 Forster D14/230
D715,779 S * 10/2014 Forster D14/230
D715,780 S * 10/2014 Forster D14/230
D715,781 S * 10/2014 Forster D14/230
D715,782 S * 10/2014 Forster D14/230
D715,783 S * 10/2014 Forster D14/230
D715,275 S * 10/2014 Forster D14/230
D716,773 S * 11/2014 Forster D14/230
D719,936 S * 12/2014 Forster D14/230
D719,937 S * 12/2014 Forster D14/230
D720,729 S * 1/2015 Escaro D14/230
2008/0088522 A1 * 4/2008 Huang H01Q 1/38
343/846
2008/0303633 A1 * 12/2008 Cheng G06K 7/10178
340/10.1

(Continued)

OTHER PUBLICATIONS

“UBIK-828 RFID passive UHF tag inlay,” [online], retrieved Jul. 27, 2016, retrieved from <<http://www.ubiquetag-everychina.com/sell-2805007-ubik-828-rfid-passive-uhf-tag-inlay.html>>.*

(Continued)

Primary Examiner — Karen Kearney
Assistant Examiner — Debra Callahan
(74) *Attorney, Agent, or Firm* — Avery Dennison Retail Information Services, LLC

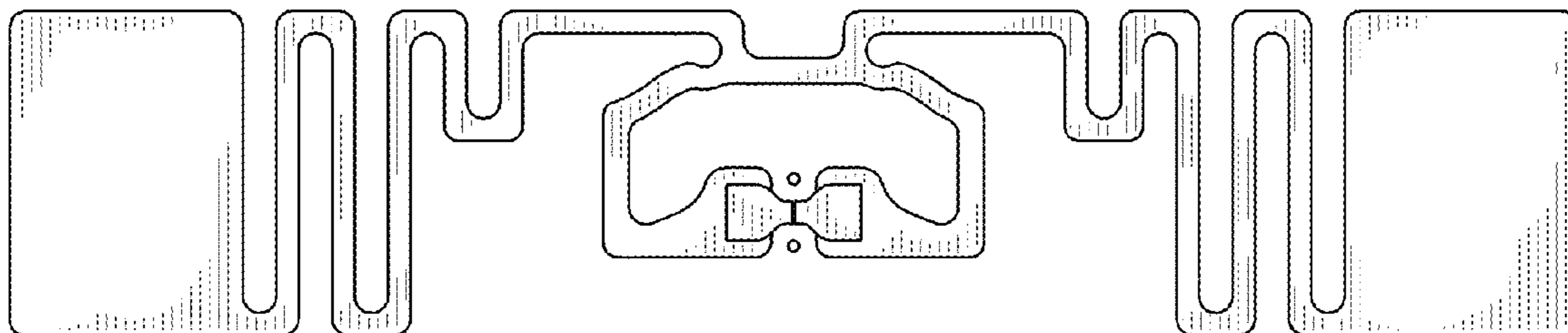
(57) **CLAIM**

The ornamental design for an antenna, as shown and described.

DESCRIPTION

FIG. 1 is an isometric view of an antenna showing our new design; and, FIG. 2 is a top plan view thereof.

1 Claim, 1 Drawing Sheet



(56)

References Cited

U.S. PATENT DOCUMENTS

2009/0002243 A1* 1/2009 Dahlstrom H01Q 1/243
343/702
2015/0294215 A1* 10/2015 Manzi G06K 7/0008
235/439
2016/0111791 A1* 4/2016 Asakawa H01Q 9/42
343/700 MS

OTHER PUBLICATIONS

“Avery Dennison unveiled enhanced UHF RFID inlays with Impinj Monza 5 chip,” [online], posted Jan. 9, 2013, retrieved Jul. 27, 2016, retrieved from <<http://www.veryfields.net/avery-dennison-inlays-impinj-monza-5-ad-171m5-ad-233m5-ad-550m5>>.*

* cited by examiner

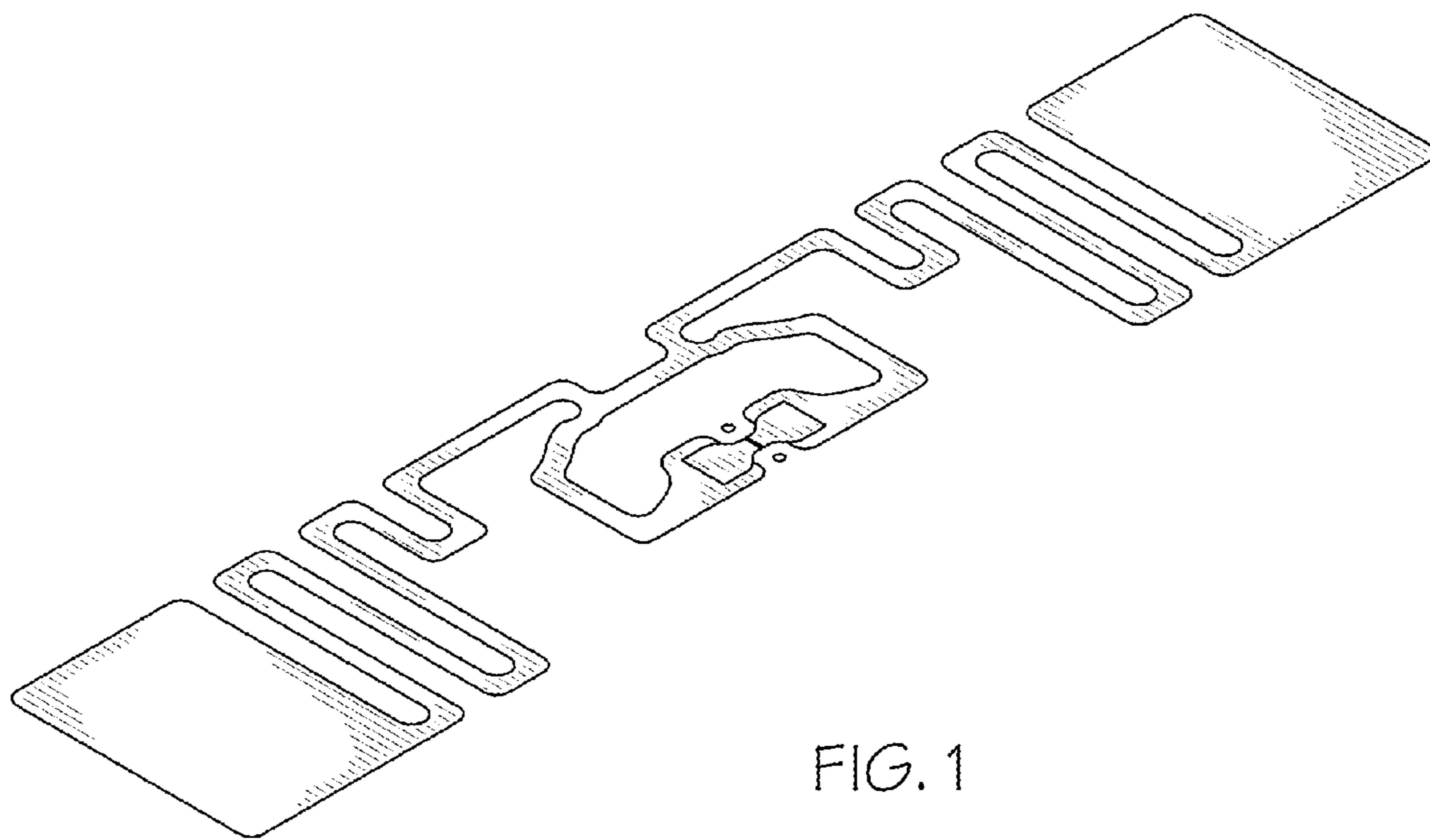


FIG. 1

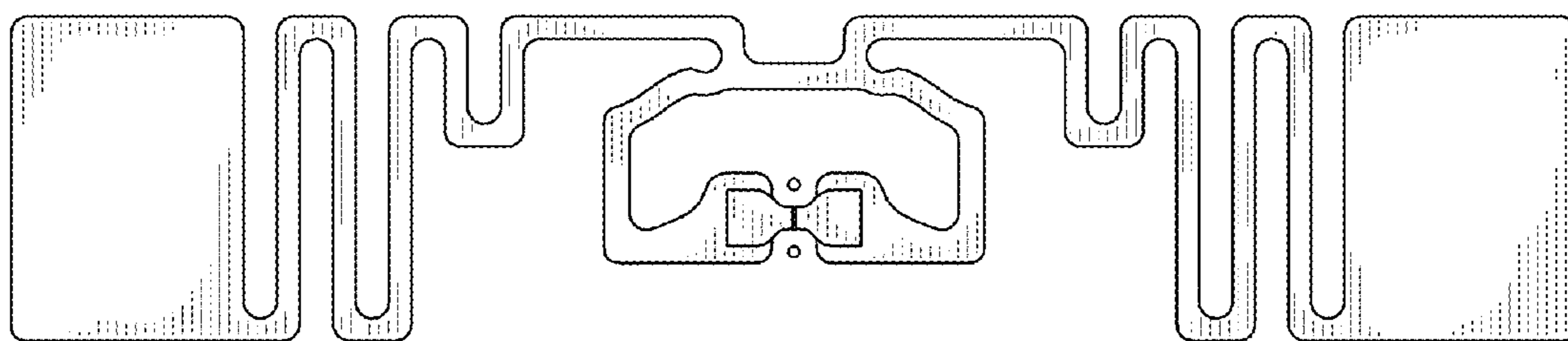


FIG. 2