



US00D776092S

(12) **United States Design Patent**  
**Laffon de Mazieres et al.**

(10) **Patent No.:** **US D776,092 S**  
(45) **Date of Patent:** **\*\* Jan. 10, 2017**

(54) **EARPHONES**

- (71) Applicant: **Amazon Technologies, Inc.**, Reno, NV (US)
- (72) Inventors: **Emmanuel JM Laffon de Mazieres**, Burlingame, CA (US); **Marc Rene Walliser**, San Francisco, CA (US); **Christopher Green**, San Francisco, CA (US)
- (73) Assignee: **Amazon Technologies, Inc.**, Seattle, WA (US)
- (\*\*) Term: **15 Years**
- (21) Appl. No.: **29/539,382**
- (22) Filed: **Sep. 14, 2015**

**Related U.S. Application Data**

- (63) Continuation of application No. 29/491,258, filed on May 19, 2014, now Pat. No. Des. 738,863.
- (51) **LOC (10) Cl.** ..... **14-01**
- (52) **U.S. Cl.**  
USPC ..... **D14/223**
- (58) **Field of Classification Search**  
USPC D14/223, 205; D24/174; 128/864; 181/129, 181/130, 135, 132; 379/430, 431; 381/380, 381, 322, 328, 330, 312, 327, 381/420; 455/90.3, 575.1  
CPC ..... H04R 25/00; H04R 1/10  
See application file for complete search history.

(56) **References Cited**

**U.S. PATENT DOCUMENTS**

- 2,148,477 A \* 2/1939 Koch ..... H04R 25/606  
181/400
- 2,248,837 A \* 7/1941 Walters ..... H04R 25/652  
181/130
- D141,071 S \* 5/1945 Hechler ..... D24/174
- 2,377,739 A \* 6/1945 Wyckoff ..... A61F 11/008  
181/132

(Continued)

**OTHER PUBLICATIONS**

The Canadian Office Action mailed Apr. 21, 2015 for Candian design application No. 159571, a counterpart foreign application of design U.S. Appl. No. 29/491,258, 2 pages.

(Continued)

*Primary Examiner* — Paula Greene

(74) *Attorney, Agent, or Firm* — Lee & Hayes, PLLC

(57) **CLAIM**

The ornamental design for earphones, as shown and described.

**DESCRIPTION**

FIG. 1 is an exploded perspective view of earphones including a first ear bud and a second ear bud, a remote control, and a jack;

FIG. 2 is a front view of the first ear bud of the earphones of FIG. 1;

FIG. 3 is a right-side view of the first ear bud of the earphones of FIG. 1;

FIG. 4 is a back view of the first ear bud of the earphones of FIG. 1;

FIG. 5 is a left-side view of the first ear bud of the earphones of FIG. 1;

FIG. 6 is a top view of the first ear bud of the earphones of FIG. 1; and,

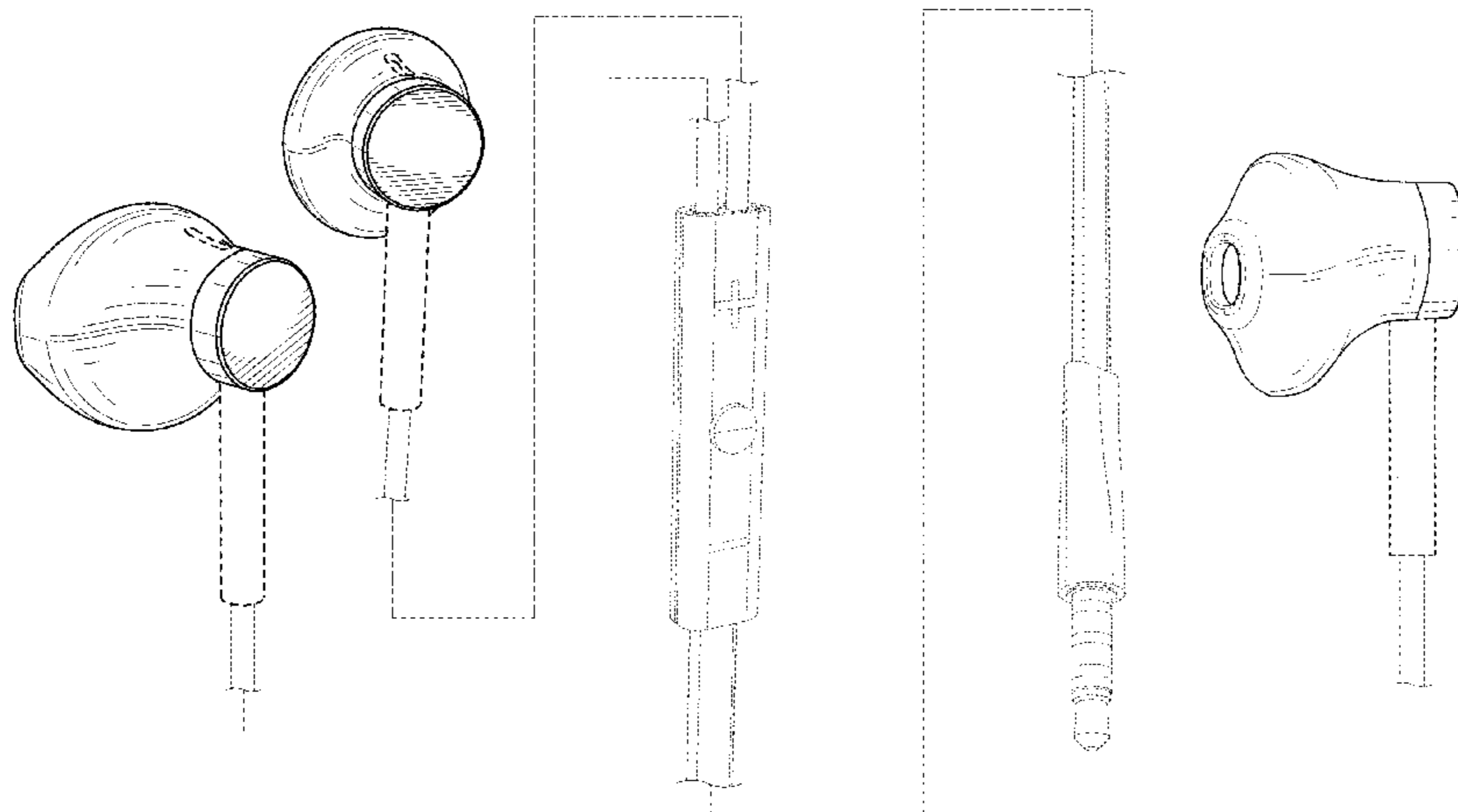
FIG. 7 is a bottom view of the first ear bud of the earphones of FIG. 1.

The front, right-side, back, left-side, top, and bottom views of the second ear bud being mirror images of the corresponding views of the first ear bud;

The article is not limited to the scale shown herein.

The broken lines are directed to unclaimed portions and form no part of the claimed design.

**1 Claim, 2 Drawing Sheets**



(56)

References Cited

U.S. PATENT DOCUMENTS

2,501,107 A \* 3/1950 Volkmann ..... H04R 5/0335  
381/374  
2,719,523 A \* 10/1955 Von Gierke ..... A61F 11/10  
128/864  
2,804,932 A \* 9/1957 Bedard ..... H04R 25/652  
181/132  
3,047,089 A \* 7/1962 Zwislocki ..... A61F 11/08  
128/864  
3,415,246 A \* 12/1968 Hill ..... A61F 11/08  
128/864  
D213,448 S \* 3/1969 Giller ..... D24/174  
3,440,365 A \* 4/1969 Hazell ..... H04M 1/05  
379/430  
4,069,400 A 1/1978 Johanson et al.  
4,349,083 A \* 9/1982 Bennett ..... H04R 25/48  
181/130  
D266,590 S \* 10/1982 Bennett ..... D24/174  
4,471,490 A \* 9/1984 Bellafore ..... H04R 25/65  
29/460  
4,588,867 A 5/1986 Konomi  
4,871,502 A \* 10/1989 LeBisch ..... B29C 33/405  
181/129  
4,981,194 A 1/1991 Kamon et al.  
D340,286 S \* 10/1993 Seo ..... D24/174  
5,298,692 A \* 3/1994 Ikeda ..... H04R 1/1016  
181/135  
5,410,608 A 4/1995 Lucey et al.  
D369,349 S 4/1996 Hayashi  
D399,001 S \* 9/1998 Yabe ..... D24/174  
6,084,976 A 7/2000 Lin  
D430,673 S \* 9/2000 Lindekugel ..... D24/106  
6,122,388 A 9/2000 Feldman  
D431,553 S 10/2000 Suzuki  
D457,514 S 5/2002 Marion et al.  
6,574,345 B1 6/2003 Huang  
D478,991 S \* 8/2003 Dyer ..... D24/174  
6,690,807 B1 \* 2/2004 Meyer ..... G02C 5/143  
2/12  
D488,460 S \* 4/2004 Alwicker ..... D14/223  
D533,868 S 12/2006 Koizumi  
D556,741 S 12/2007 Yeo  
D557,689 S 12/2007 Huang  
D564,495 S 3/2008 Sasaki  
D576,154 S 9/2008 Ledbetter et al.  
D582,889 S 12/2008 Bose et al.

D594,441 S 6/2009 Lee et al.  
D598,894 S 8/2009 Masuda et al.  
D622,265 S 8/2010 Rye  
7,778,434 B2 \* 8/2010 Juneau ..... A61F 11/10  
381/322  
D627,766 S \* 11/2010 Arimoto ..... D14/223  
D628,193 S 11/2010 Zheng  
D631,034 S \* 1/2011 Yeo ..... D14/205  
D641,010 S 7/2011 Kwon  
D641,737 S 7/2011 Krauss et al.  
8,073,181 B2 12/2011 Bakalos et al.  
D652,822 S 1/2012 Lee et al.  
D653,235 S 1/2012 McManigal  
D657,345 S 4/2012 Brunner et al.  
D664,523 S \* 7/2012 Naitou ..... D14/223  
D669,058 S \* 10/2012 Lee ..... D14/223  
D678,242 S 3/2013 Von Euler  
D679,267 S 4/2013 Lee et al.  
D687,410 S 8/2013 Fletcher et al.  
D700,167 S 2/2014 Hardi  
D707,206 S 6/2014 Akana et al.  
D707,652 S 6/2014 Brunner et al.  
8,776,801 B2 7/2014 McIntosh  
D711,356 S 8/2014 Yang  
D711,857 S \* 8/2014 Burgett ..... D14/223  
D715,777 S 10/2014 Huang et al.  
D718,284 S \* 11/2014 Shibusawa ..... D14/223  
D730,876 S \* 6/2015 Dahlberg ..... D14/223  
D733,689 S \* 7/2015 Narita ..... D14/223  
D738,863 S \* 9/2015 Laffon de Mazieres .... D14/223  
D738,864 S \* 9/2015 Lee ..... D14/223  
D742,363 S \* 11/2015 Andersson ..... D14/223  
2007/0189570 A1 \* 8/2007 Matsuo ..... H04R 1/1016  
381/382  
2012/0237074 A1 \* 9/2012 Aase ..... H04R 1/1016  
381/380  
2013/0004011 A1 \* 1/2013 Hayashida ..... H04R 1/1016  
381/380

OTHER PUBLICATIONS

The Indian Office Action mailed Feb. 10, 2015 for Indian patent application No. 267447, a counterpart foreign application of U.S. Appl. No. 29/491,258, 27 pages.  
The Korean Office Action mailed Feb. 24, 2015 for Korean design application No. 30-2014-55509, a counterpart foreign application of design U.S. Appl. No. 29/491,258, 3 pages.

\* cited by examiner

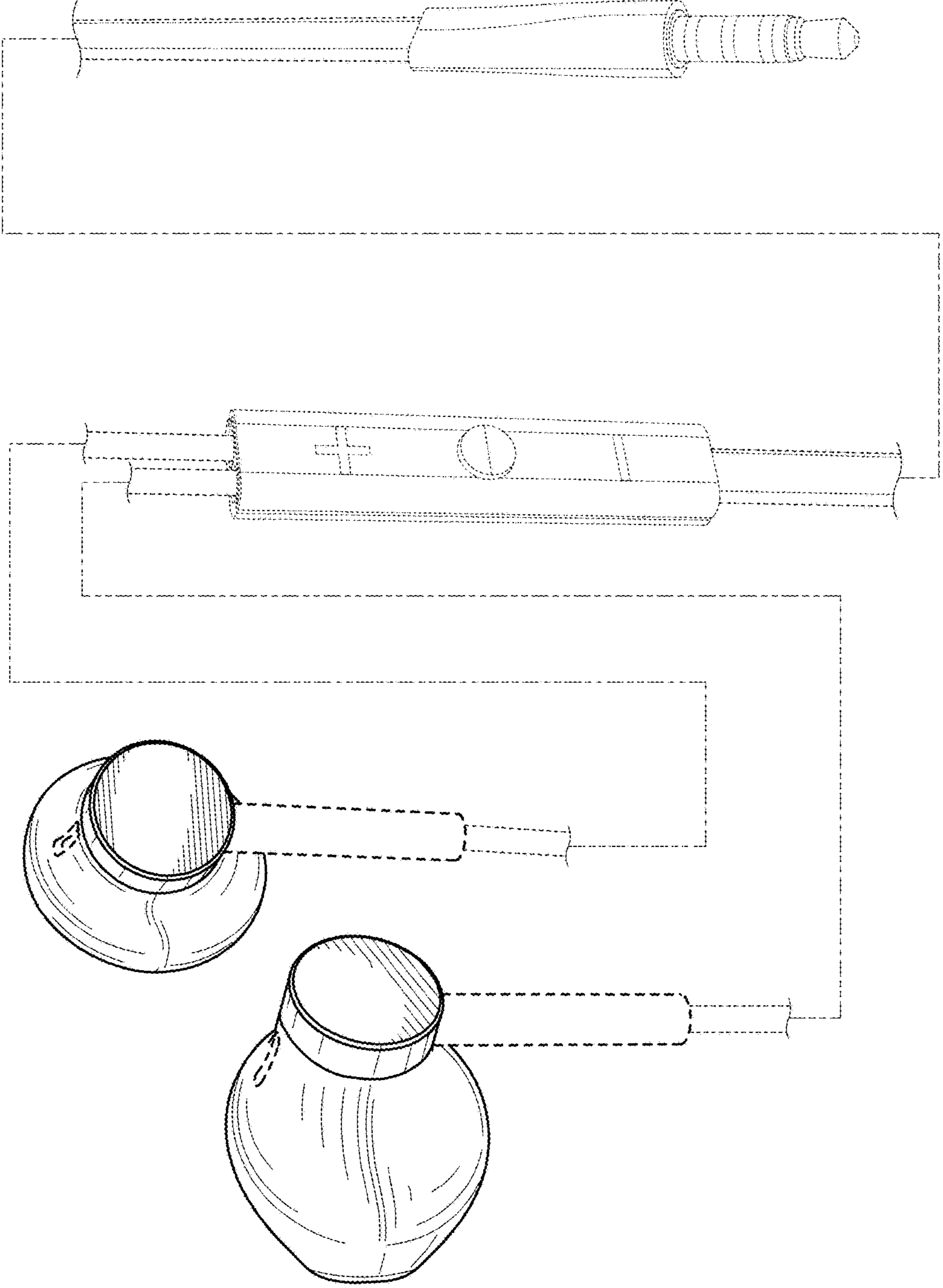


FIG. 1

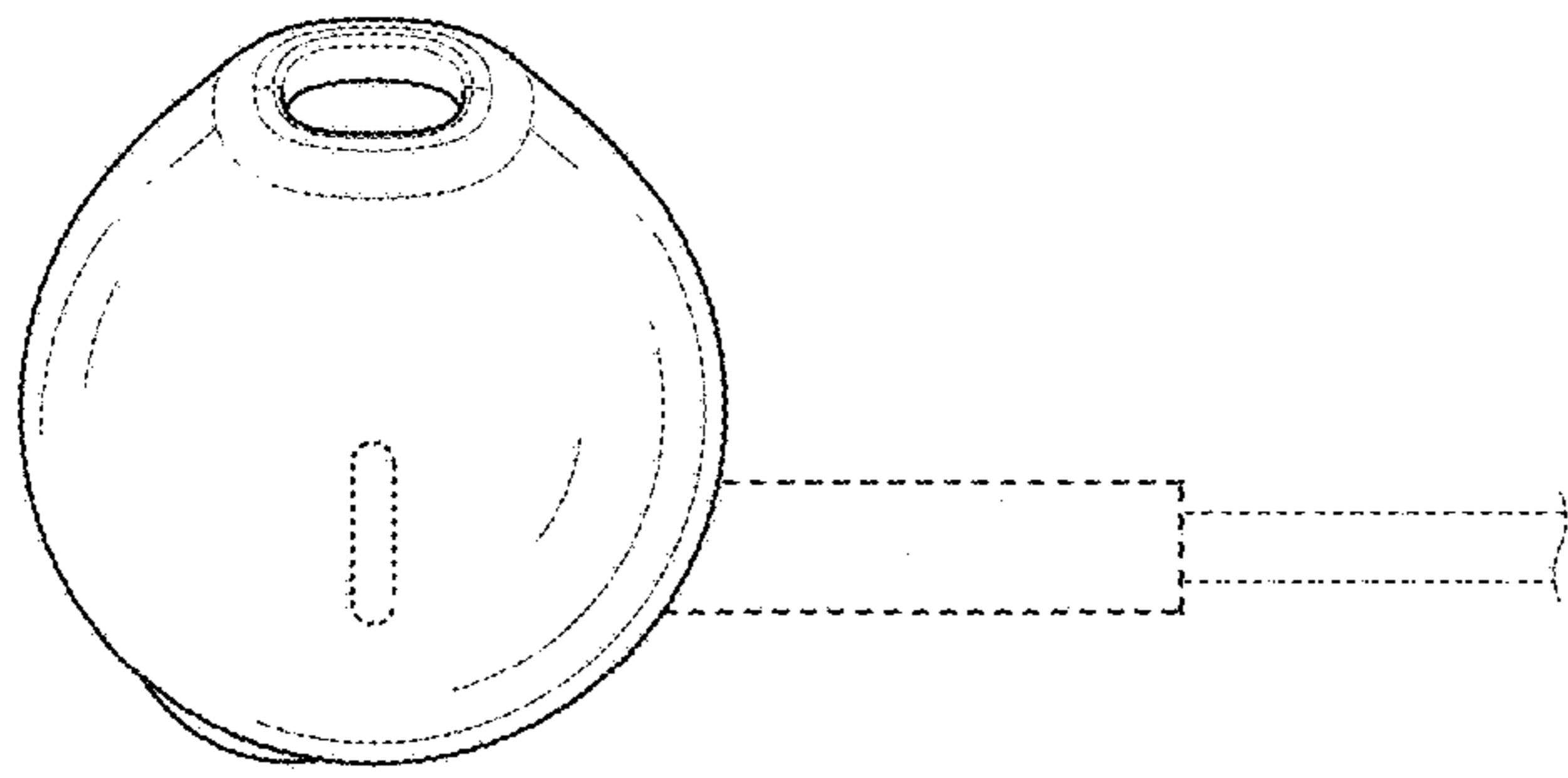


FIG. 2

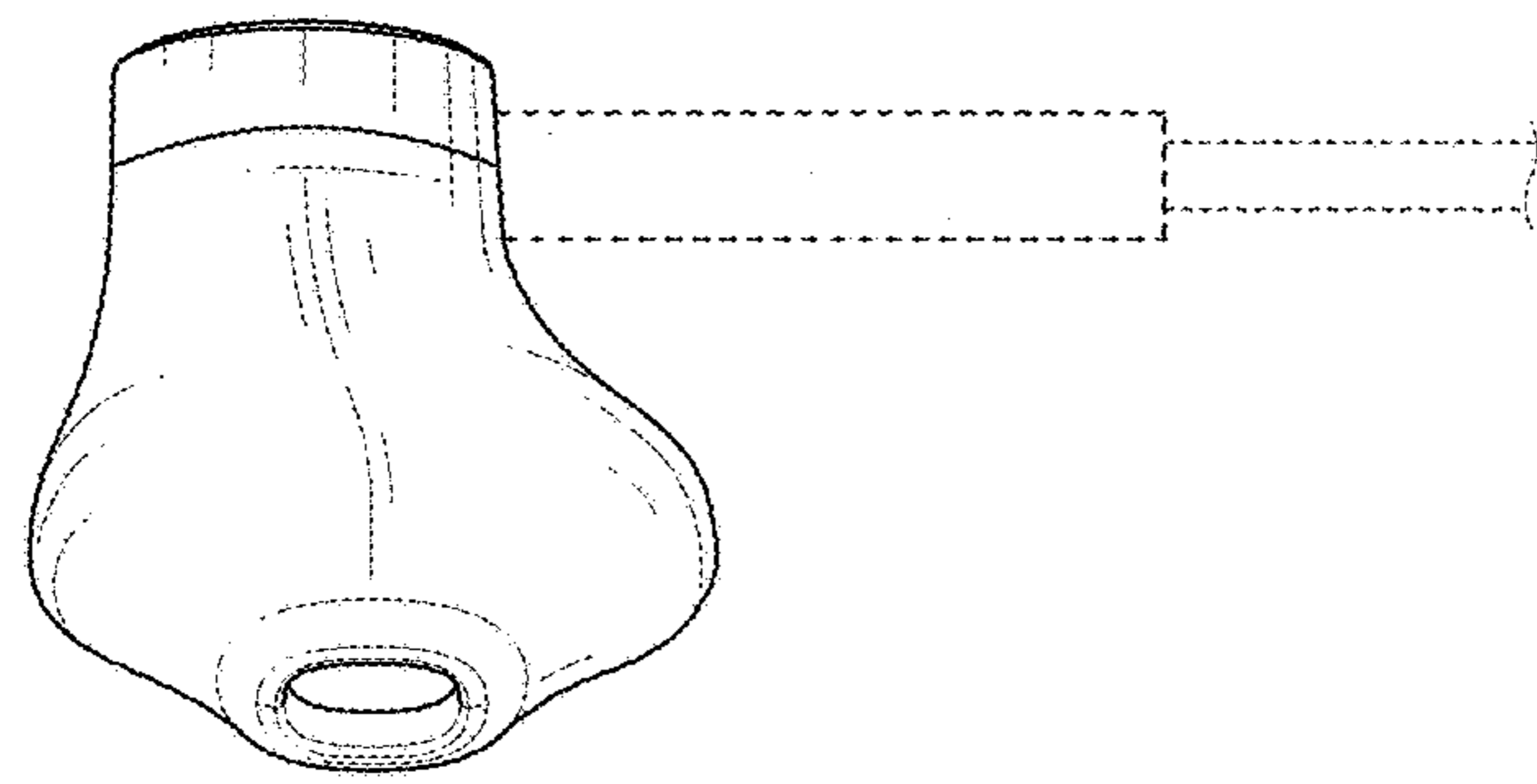


FIG. 3

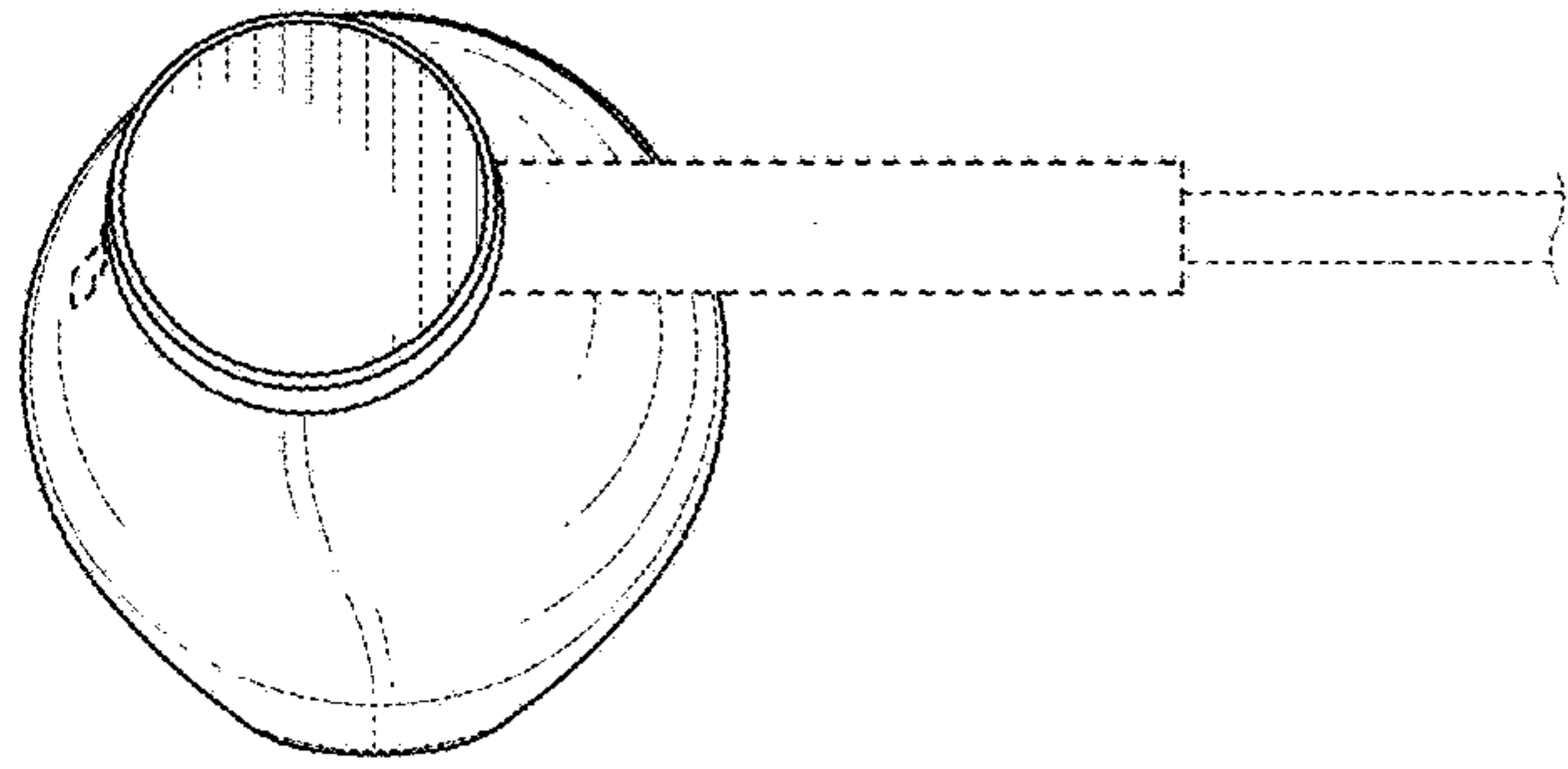


FIG. 4

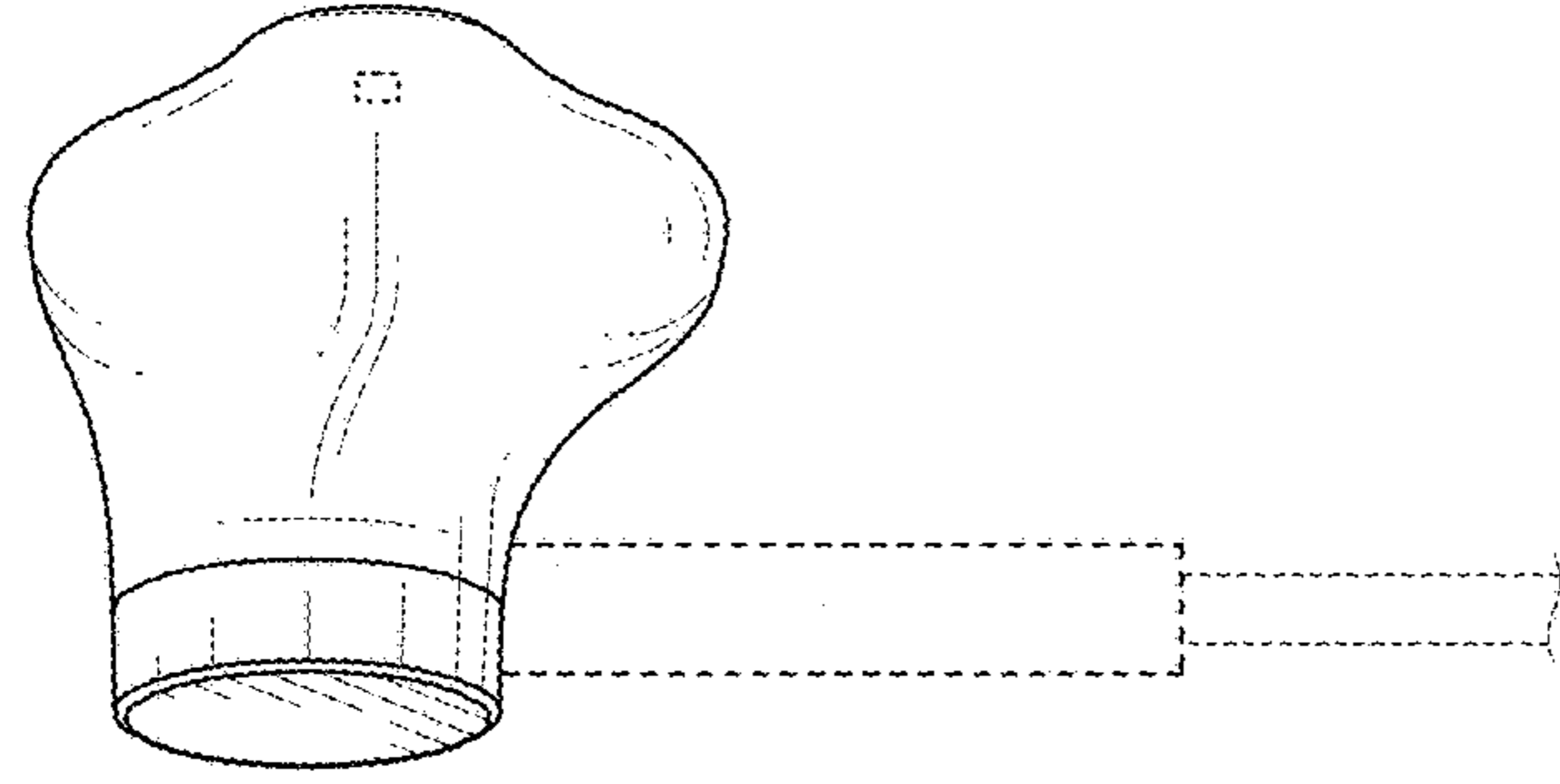


FIG. 5

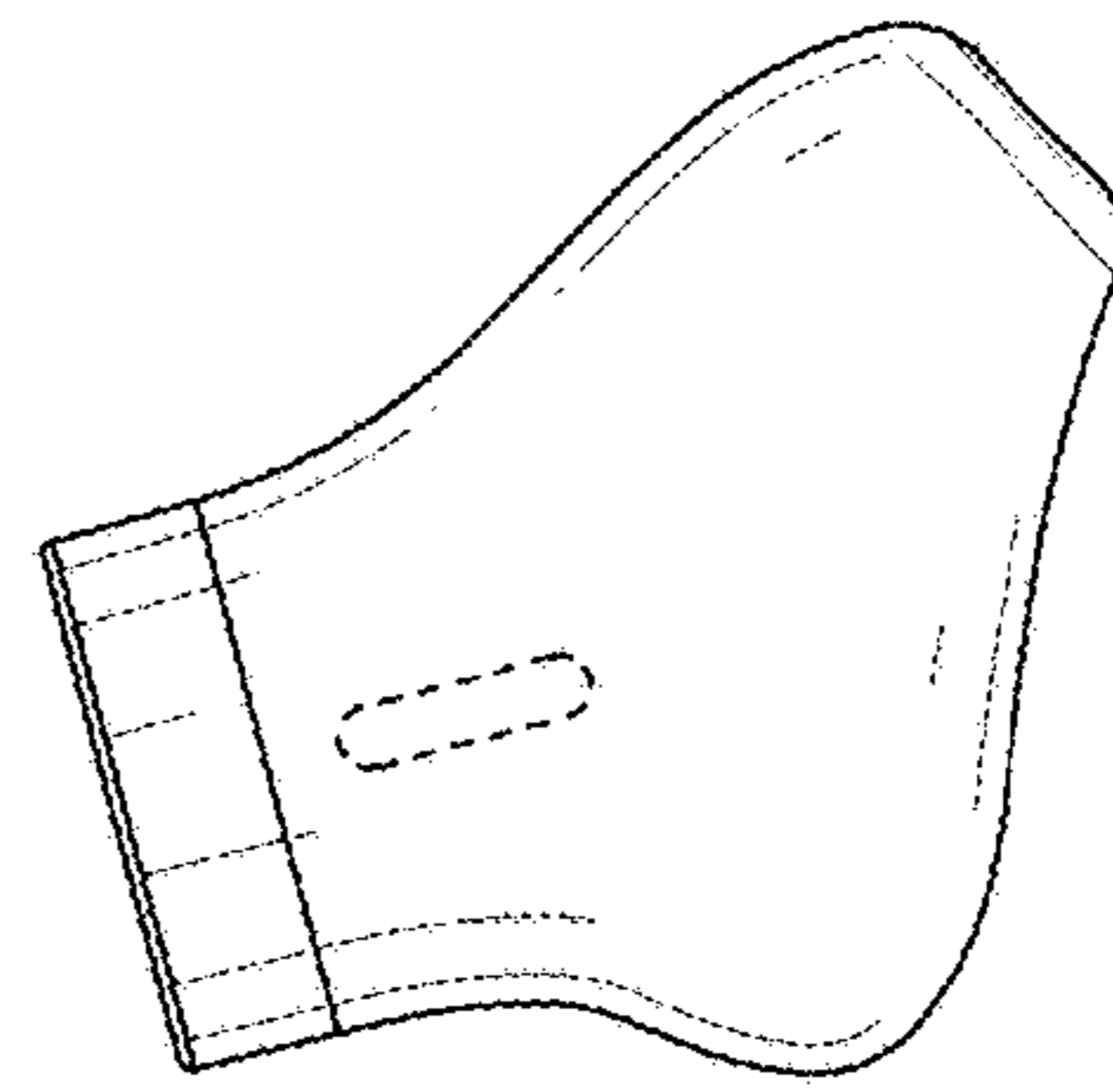


FIG. 6

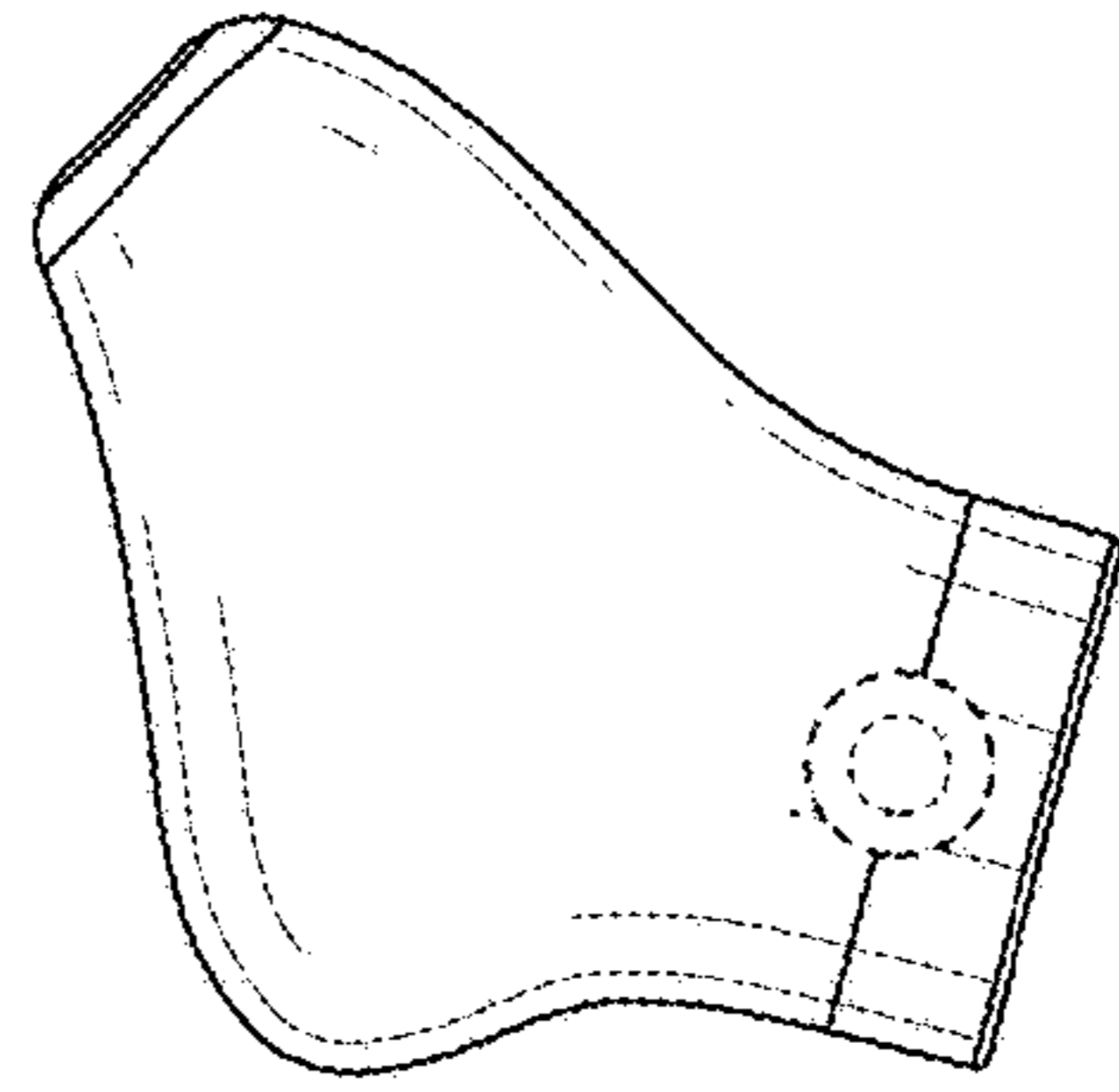


FIG. 7