



US00D776091S

(12) **United States Design Patent**
Spio

(10) **Patent No.:** **US D776,091 S**
(45) **Date of Patent:** **** Jan. 10, 2017**

(54) **CONTROLLER**

(71) Applicant: **Mary A. Spio**, Miami Beach, FL (US)

(72) Inventor: **Mary A. Spio**, Miami Beach, FL (US)

(**) Term: **15 Years**

(21) Appl. No.: **29/544,826**

(22) Filed: **Nov. 6, 2015**

(51) **LOC (10) Cl.** **14-03**

(52) **U.S. Cl.**

USPC **D14/218**

(58) **Field of Classification Search**

USPC D14/217-218, 188, 225, 205, 155;
D13/168; D21/566, 333; D10/104.1,
10/106.2

CPC H05K 5/03; H04B 10/00; H01H 9/02;
G09G 5/00; G09D 1/10

See application file for complete search history.

(56) **References Cited**

U.S. PATENT DOCUMENTS

D271,312 S	*	11/1983	Renteria	D14/413
D311,218 S	*	10/1990	Althans	D13/168
D317,950 S	*	7/1991	Tse	D14/413
D331,058 S	*	11/1992	Morales	D14/218
D406,266 S	*	3/1999	Wakefield	D14/218
D415,735 S	*	10/1999	Zuege	D13/168
D421,038 S	*	2/2000	Hisatsune	D13/168
D503,928 S	*	4/2005	Obata	D13/164
D556,201 S	*	11/2007	Ashida	D14/412
D568,875 S	*	5/2008	Hoehn	D14/218
D582,396 S	*	12/2008	Sun	D14/218
D587,713 S	*	3/2009	Sutton	D14/412
D594,067 S	*	6/2009	Oikawa	D14/412
D624,903 S	*	10/2010	Wlotzka	D14/218
D632,673 S	*	2/2011	Isaias	D14/218
D638,841 S	*	5/2011	Musick, Jr.	D14/412
D643,413 S	*	8/2011	Wen	D14/218

D667,380 S	*	9/2012	Ishikawa	D13/168
D682,254 S	*	5/2013	Hong	D14/218
D691,217 S	*	10/2013	Condon	D21/566
D693,333 S	*	11/2013	Joe	D14/218
8,834,271 B2	*	9/2014	Ikeda	A63F 13/06 463/36
D742,361 S	*	11/2015	Choi	D13/168
D763,359 S	*	8/2016	Kwong	D14/401

FOREIGN PATENT DOCUMENTS

EM 000802731-0005 * 10/2007

OTHER PUBLICATIONS

Amazon.com: Yorking™ Universal Portable Wireless Bluetooth Remote Controller, review dates 2016, https://www.amazon.com/Yorking-Universal-Portable-Bluetooth-Controller/dp/B01G81EWWG/ref=cm_cr_ar_p_d_product_top?ie=UTF8, [site visited Sep. 14, 2016 7:53:56 PM].*

* cited by examiner

Primary Examiner — John Windmuller

Assistant Examiner — John R Yeh

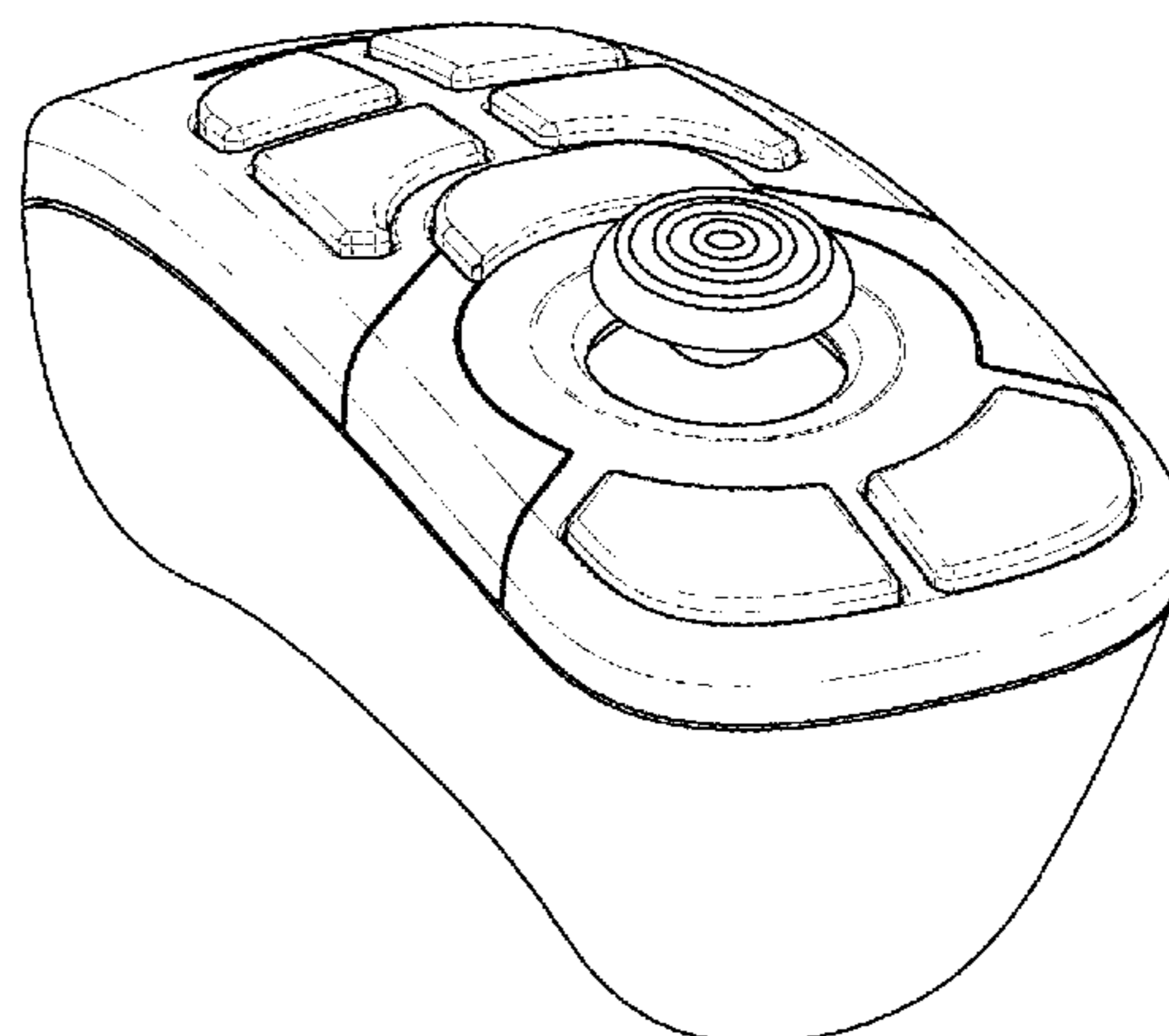
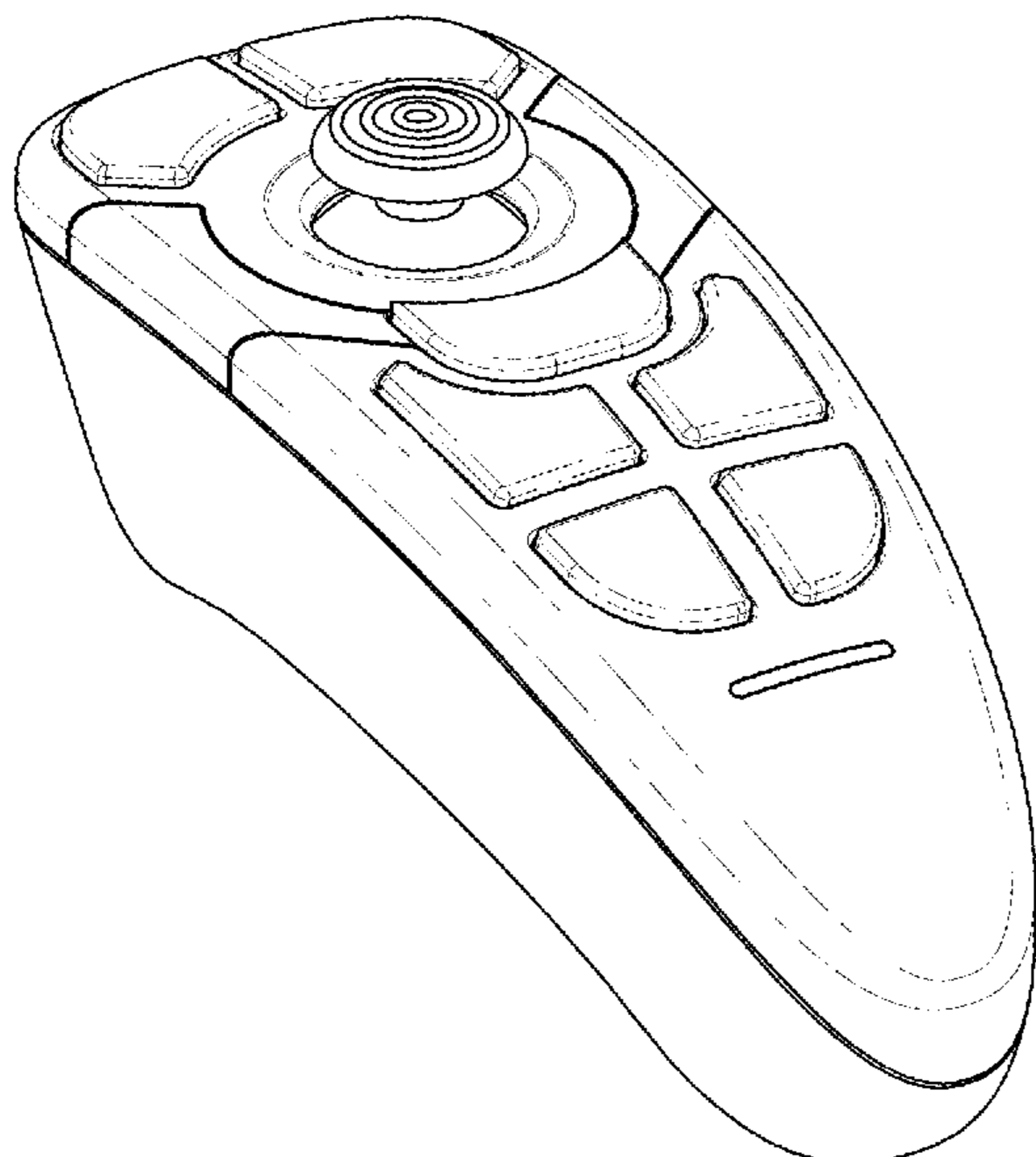
(57) **CLAIM**

The ornamental design for a controller, as shown and described.

DESCRIPTION

FIG. 1 is a front perspective view of a controller;
FIG. 2 is a rear perspective view thereof;
FIG. 3 is a top view thereof;
FIG. 4 is a side view thereof;
FIG. 5 is a bottom view thereof;
FIG. 6 is another side view thereof;
FIG. 7 is a rear thereof; and,
FIG. 8 is a front view thereof.

1 Claim, 3 Drawing Sheets



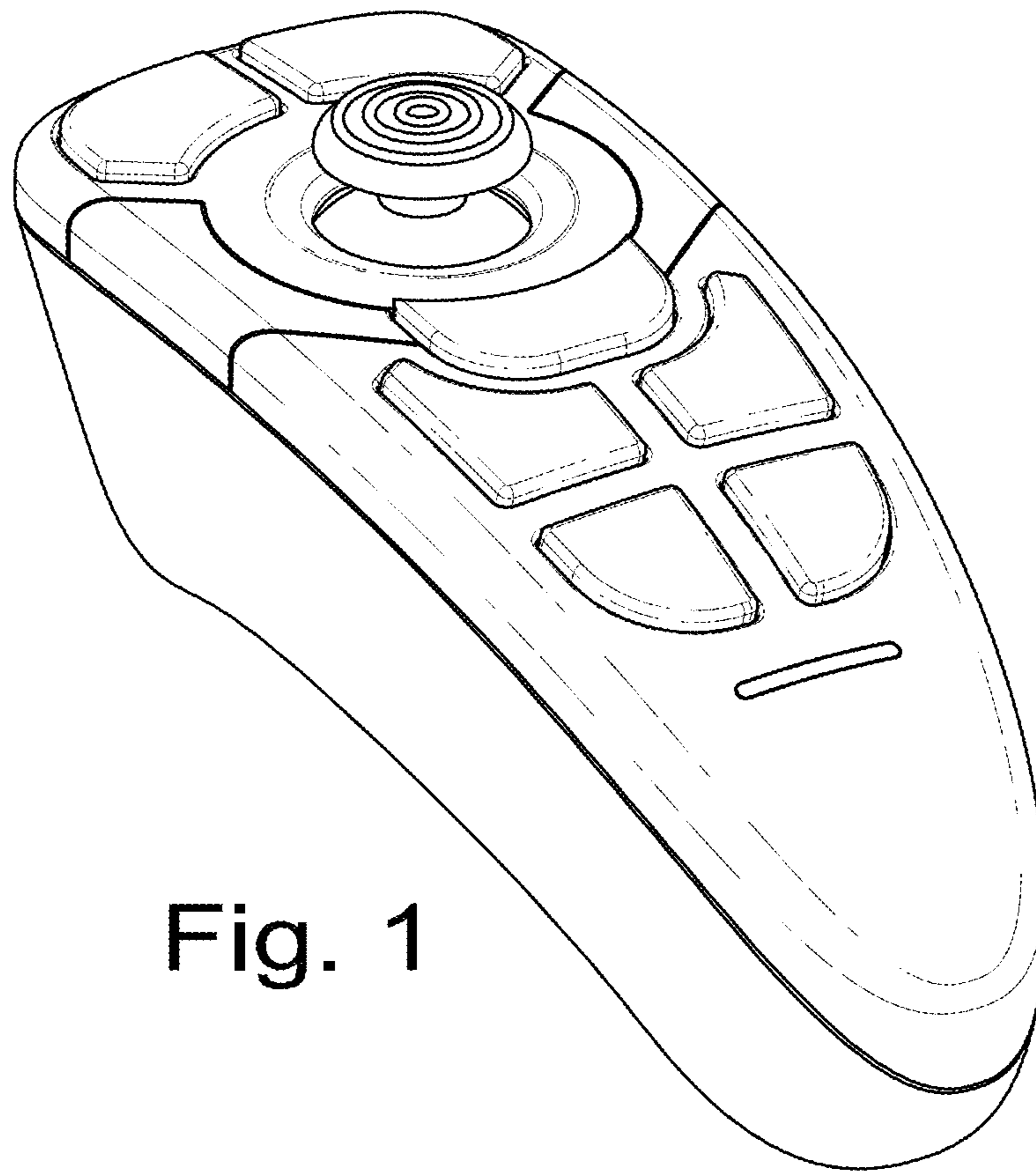


Fig. 1

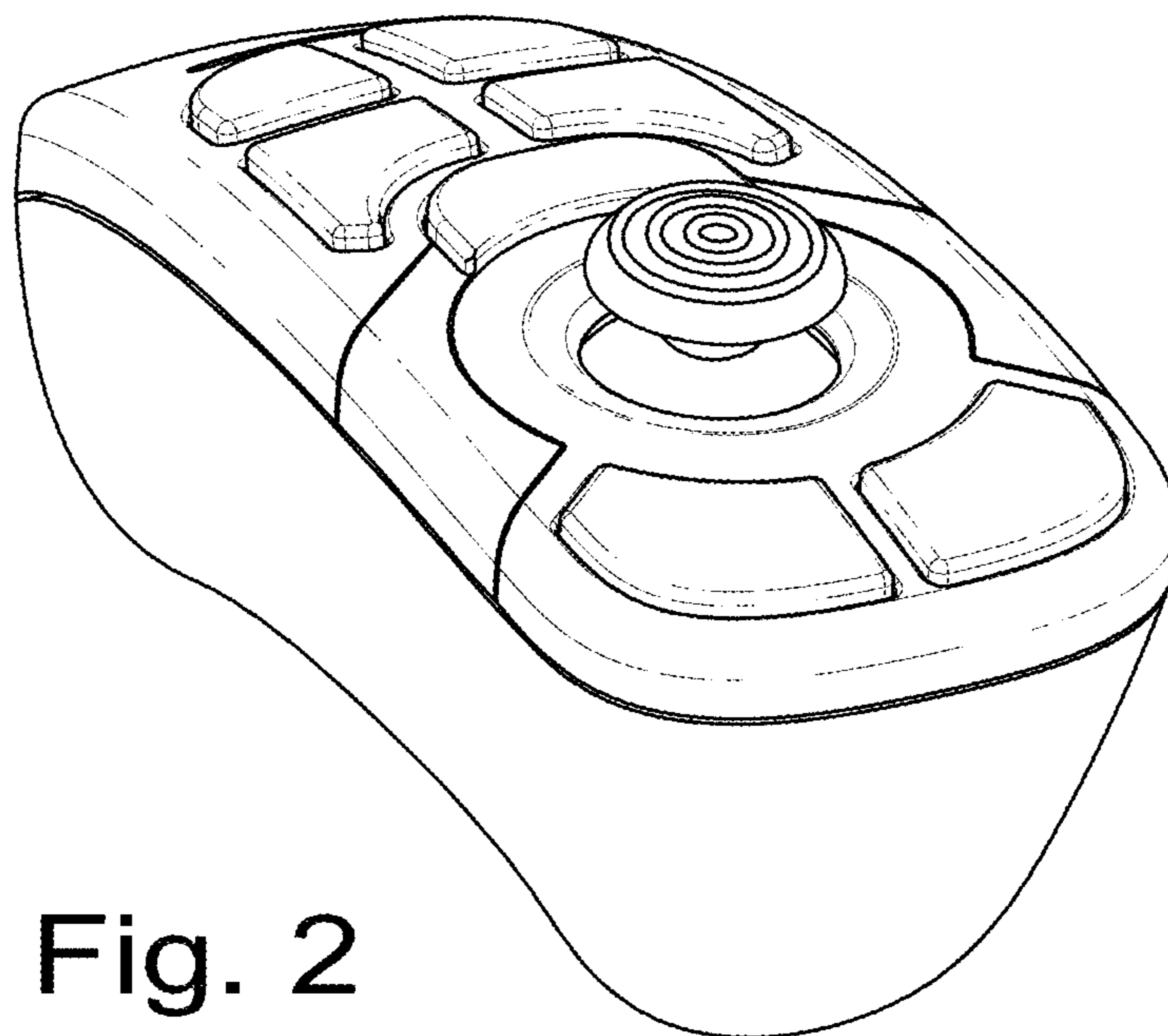


Fig. 2

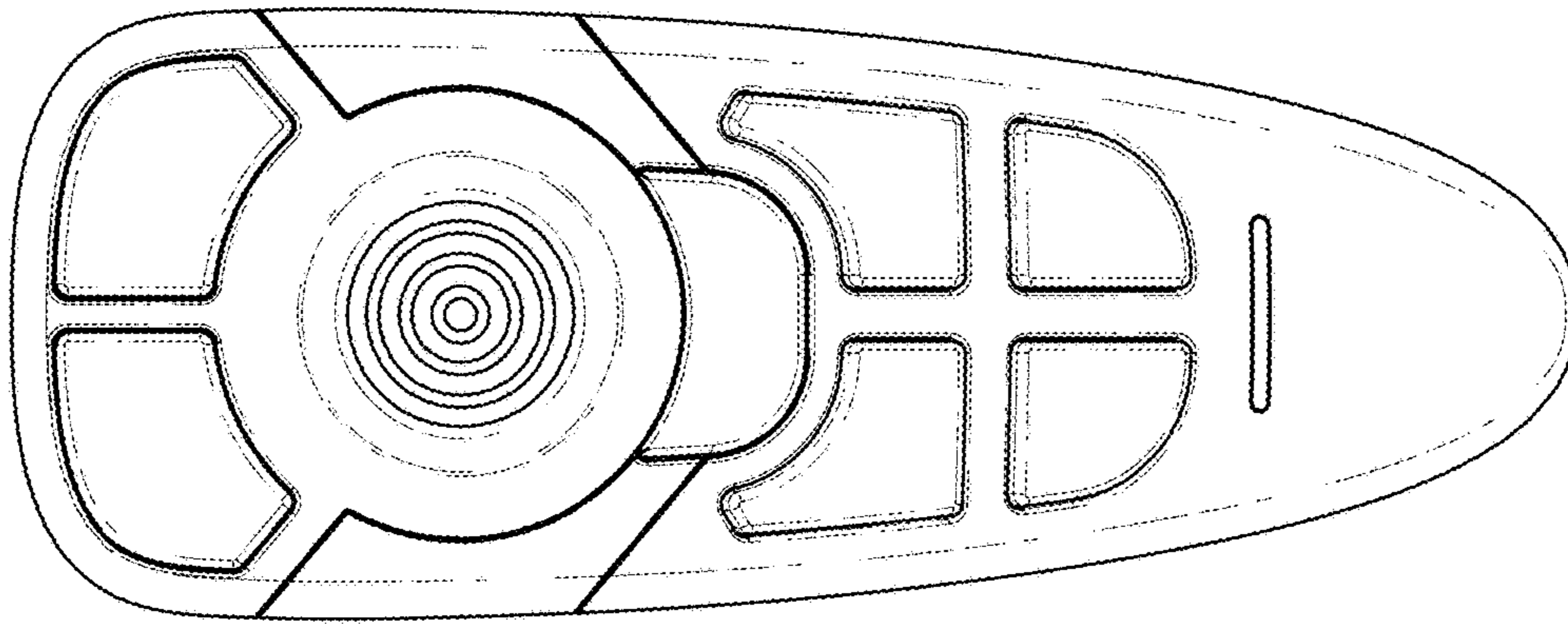


Fig. 3

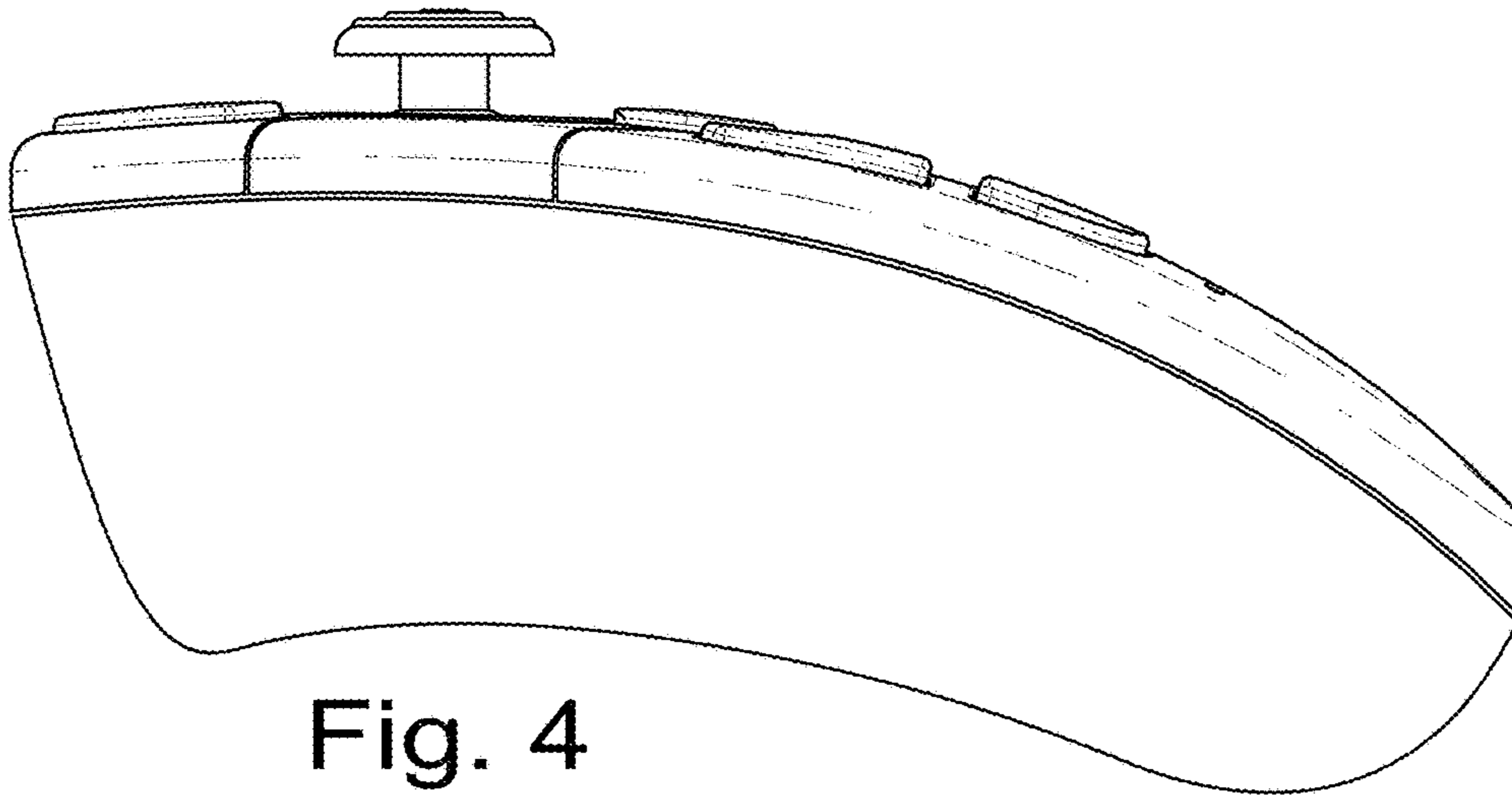


Fig. 4

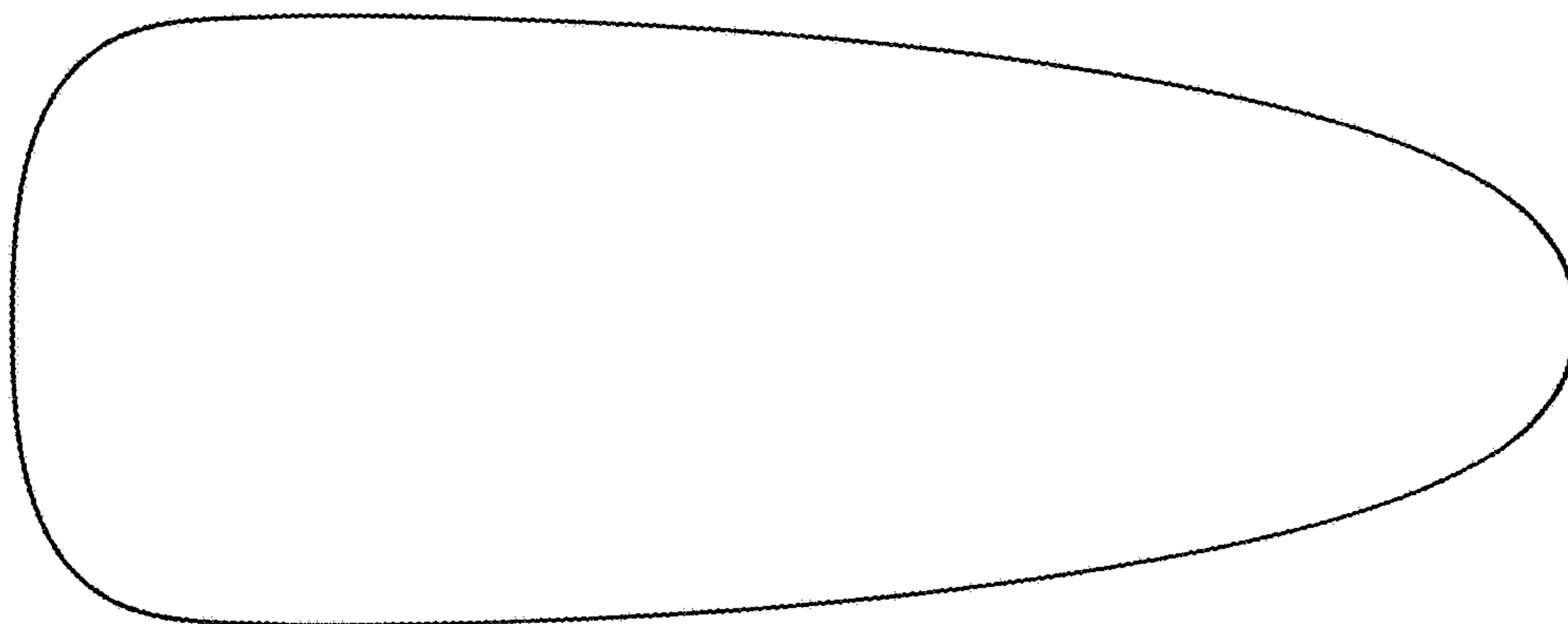


Fig. 5

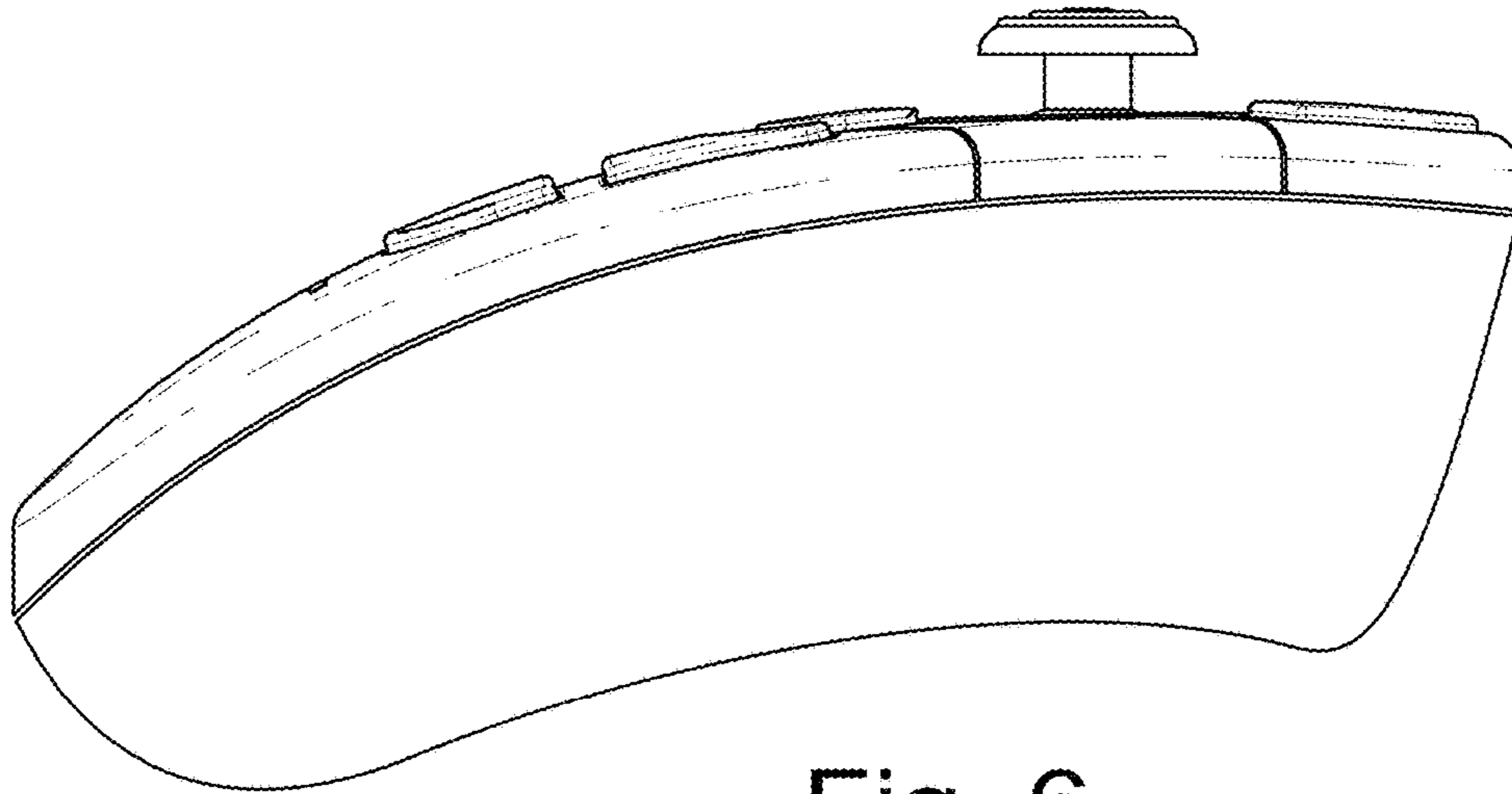


Fig. 6

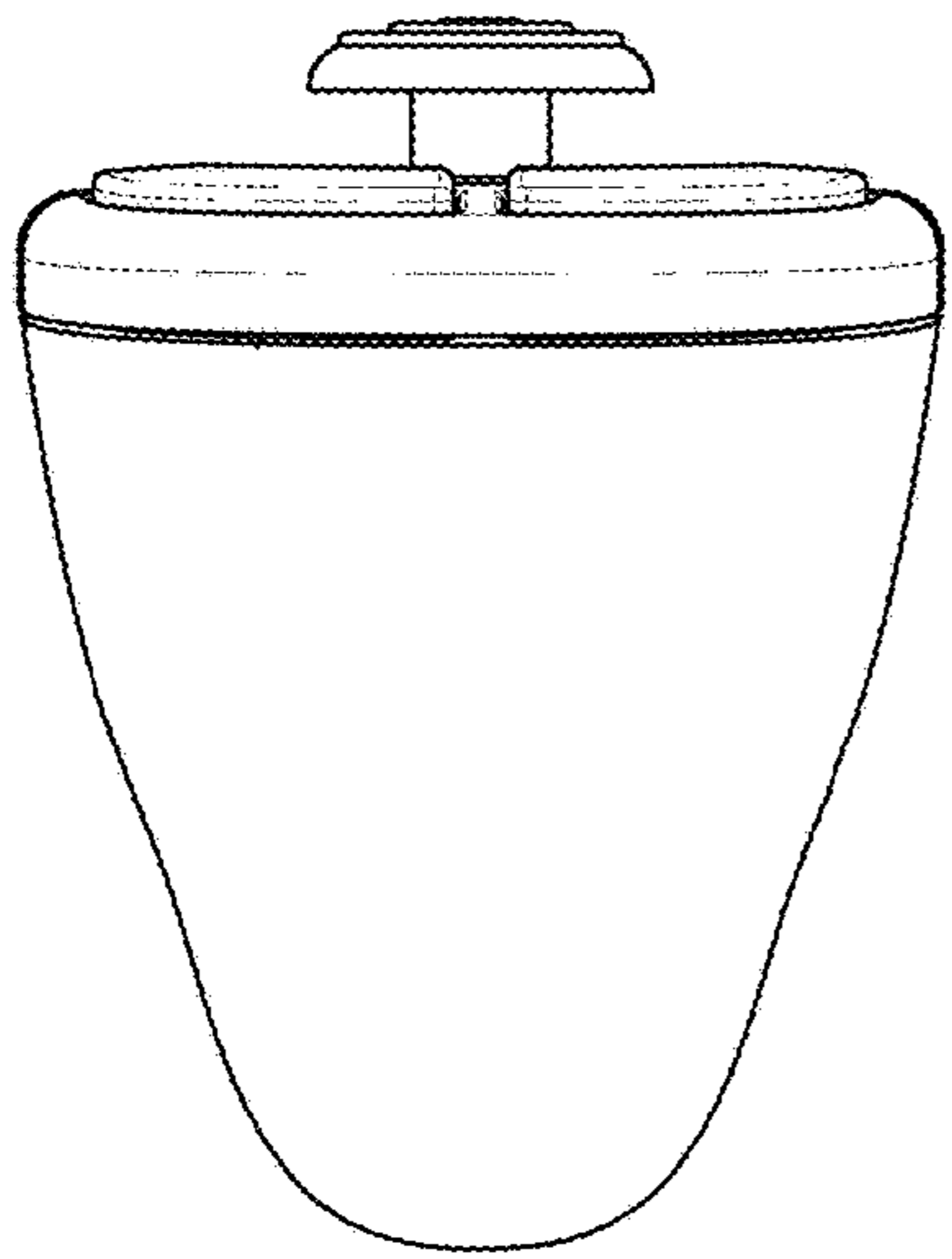


Fig. 7

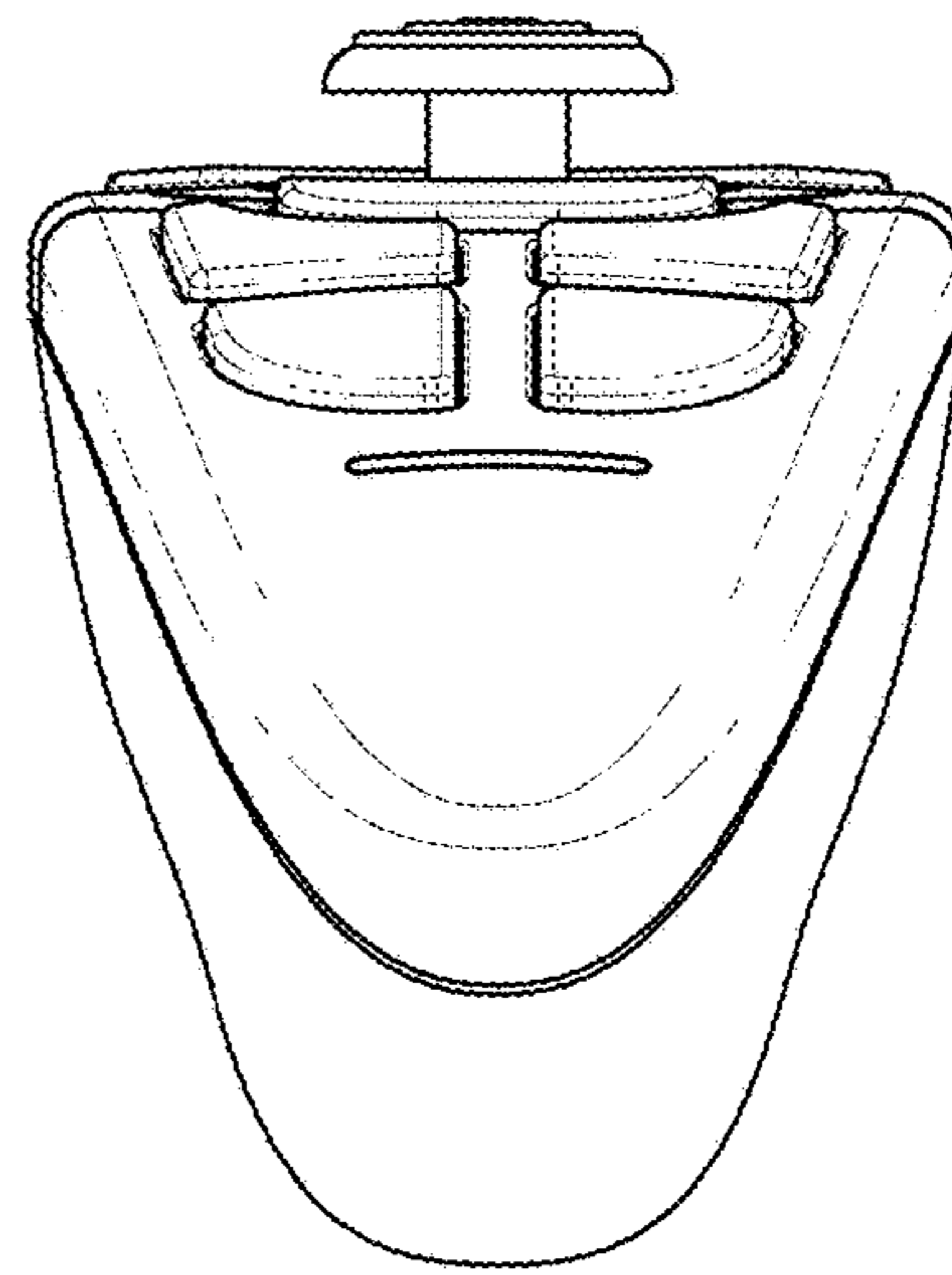


Fig. 8