



US00D776090S

(12) **United States Design Patent**
Huang

(10) **Patent No.:** **US D776,090 S**
(45) **Date of Patent:** **** Jan. 10, 2017**

(54) **REMOTE CONTROL**

(71) Applicant: **Tele-Radio i Lysekil AB**, Askim (SE)

(72) Inventor: **Peak Huang**, Xiamen (CN)

(73) Assignee: **Tele-Radio i Lysekil AB**, Askim (SE)

(**) Term: **14 Years**

(21) Appl. No.: **29/499,760**

(22) Filed: **Aug. 19, 2014**

(30) **Foreign Application Priority Data**

Feb. 20, 2014 (EM) 001403794

(51) **LOC (10) Cl.** **14-03**

(52) **U.S. Cl.**
USPC **D14/218**

(58) **Field of Classification Search**
USPC ... D14/218, 349, 480.5; D13/168, 173, 162,
D13/162.1, 166, 171, 174
CPC H04N 5/4403; H04N 5/765; G08C 23/04
See application file for complete search history.

(56) **References Cited**

U.S. PATENT DOCUMENTS

4,028,515 A * 6/1977 Desio H01H 1/242
200/276.1
D312,072 S * 11/1990 Bergeron D13/168
D328,902 S * 8/1992 Lee D14/218
D342,260 S * 12/1993 Sakata D14/218
D396,861 S * 8/1998 Yamagishi D14/218
D402,966 S * 12/1998 Lim D13/168
D416,909 S * 11/1999 Renk D14/218
D417,220 S * 11/1999 Godette D14/218

(Continued)

FOREIGN PATENT DOCUMENTS

FR EM * 8/2005
000363452-0003
GB EM * 12/2005
000433115-0001

(Continued)

OTHER PUBLICATIONS

Industrial radio remote, video date Dec. 12, 2012, online, https://www.youtube.com/watch?v=p7PgJn_OIVo, site visited Oct. 6, 2015.*

Primary Examiner — John Windmuller

Assistant Examiner — John R Yeh

(74) *Attorney, Agent, or Firm* — Renner, Otto, Boisselle & Sklar, LLP

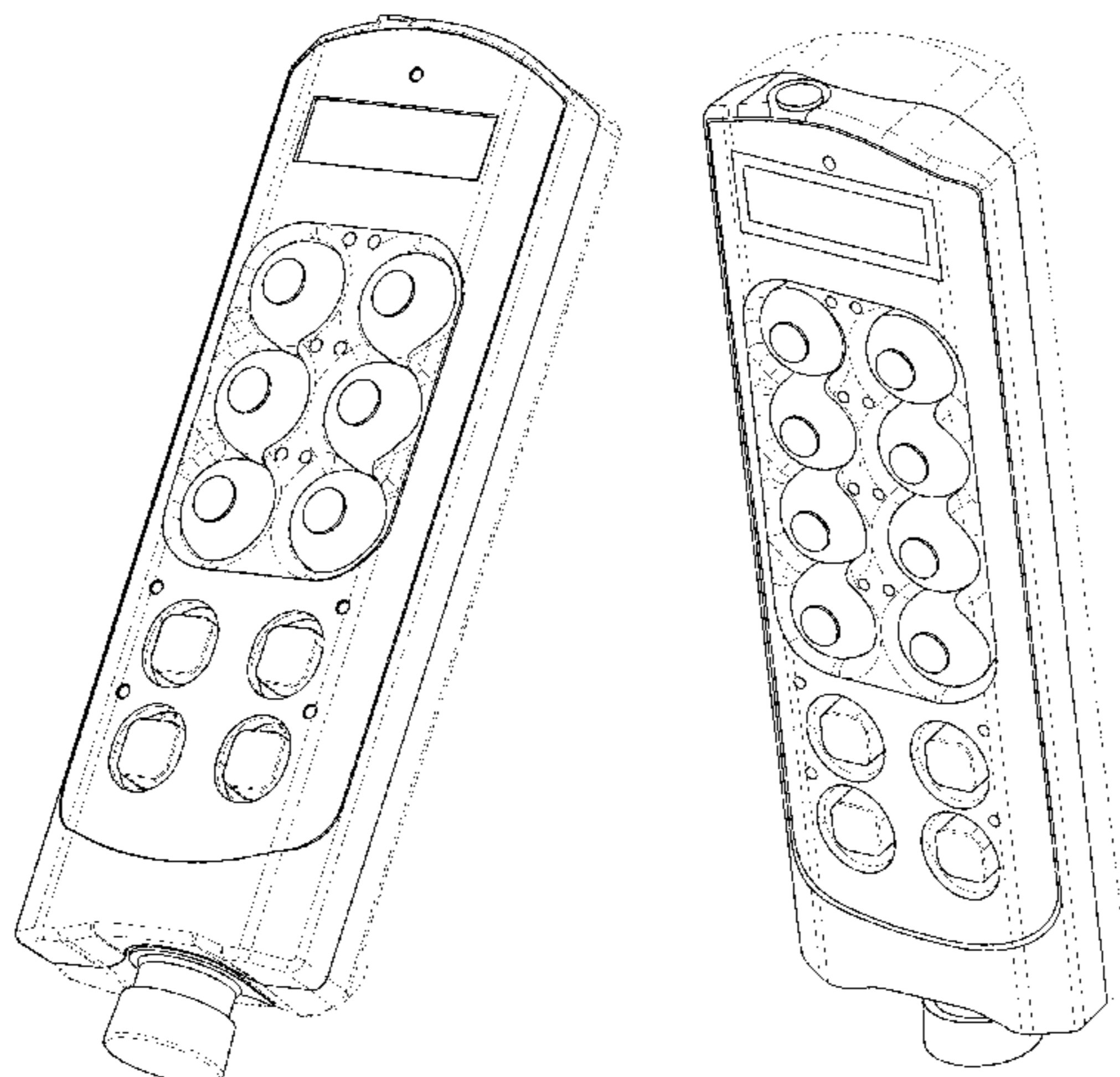
(57) **CLAIM**

The ornamental design for a remote control, as shown and described.

DESCRIPTION

FIG. 1 is a front view of a remote control showing my new design.
FIG. 2 is a left side view thereof.
FIG. 3 is a right side view thereof.
FIG. 4 is a rear view thereof
FIG. 5 is a top view thereof.
FIG. 6 is a bottom view thereof.
FIG. 7 is a perspective view thereof with shade/contour lines added.
FIG. 8 is a front view of another embodiment of the remote control.
FIG. 9 is a left side view thereof.
FIG. 10 is a right side view thereof.
FIG. 11 is a rear view thereof.
FIG. 12 is a top view thereof.
FIG. 13 is a bottom view thereof; and,
FIG. 14 is a perspective view thereof with shade/contour lines added.
The broken line showing is for the purpose of illustrating portions of the remote control and forms no part of the claimed design.

1 Claim, 14 Drawing Sheets



(56)

References Cited

U.S. PATENT DOCUMENTS

D436,083 S * 1/2001 Kishita D13/168
D538,788 S * 3/2007 Reimann D14/218
D551,215 S * 9/2007 Lee, Jr. D14/218
D568,827 S * 5/2008 Ikeda D13/168
D585,876 S * 2/2009 Griffin D14/218
D617,746 S * 6/2010 Choi D13/164
D631,853 S * 2/2011 Choi D13/168
D661,689 S * 6/2012 Weitgasser D14/218
D724,547 S * 3/2015 Baldwin D13/168
2013/0177318 A1 * 7/2013 Jubilo G08C 23/04
398/106

FOREIGN PATENT DOCUMENTS

KR EM * 2/2007
000649371-0006
TR 2005 2382 * 7/2006
TW EM * 12/2005
000431895-0001

* cited by examiner

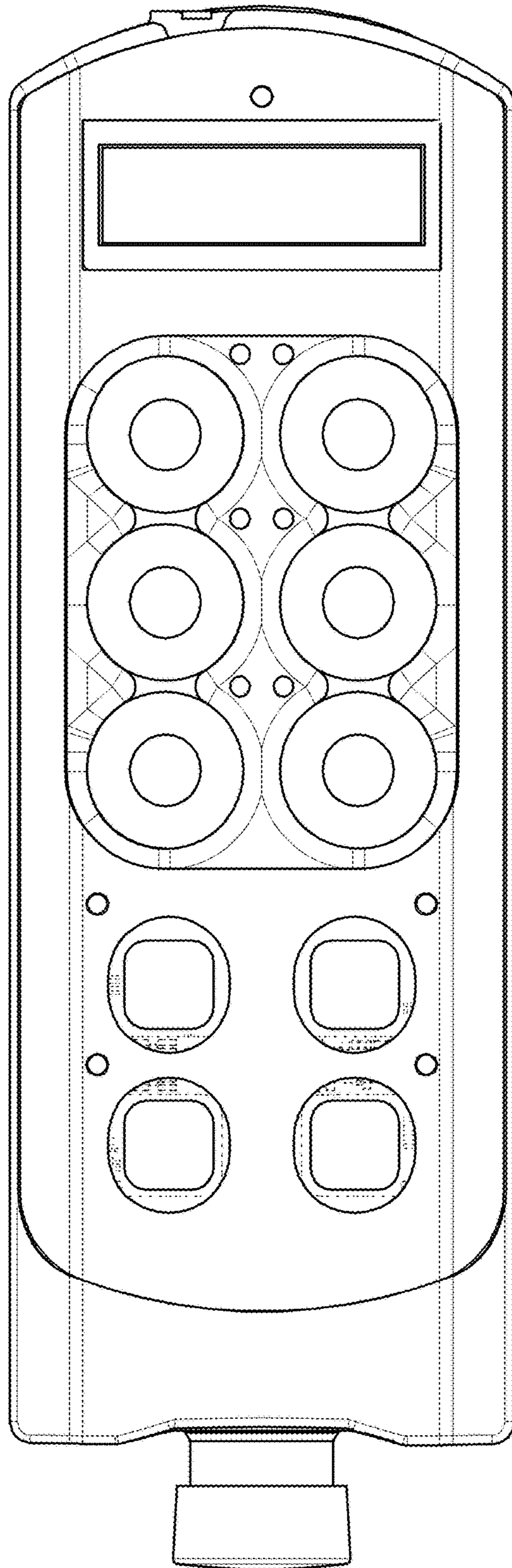


FIG. 1

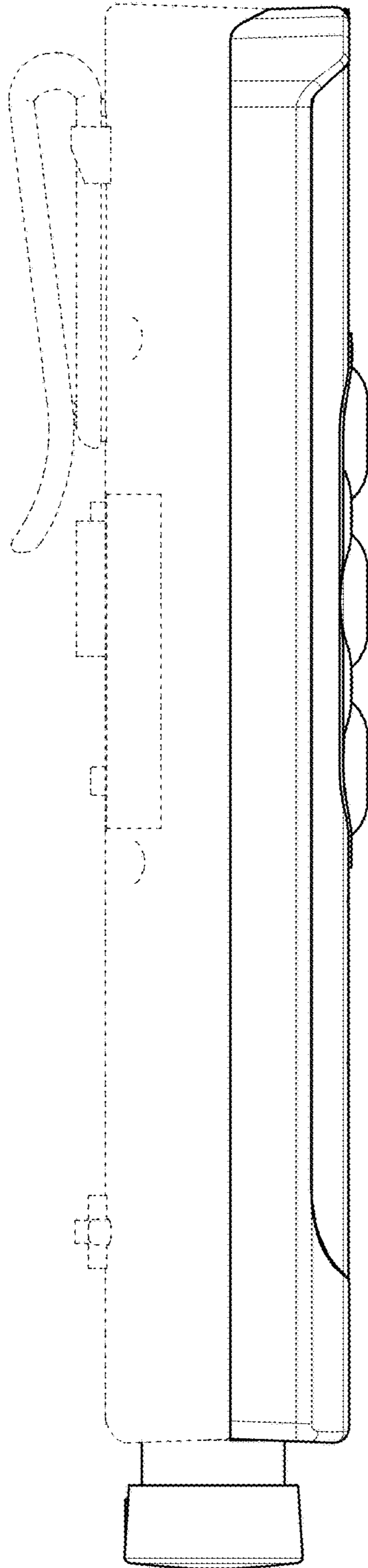


FIG. 2

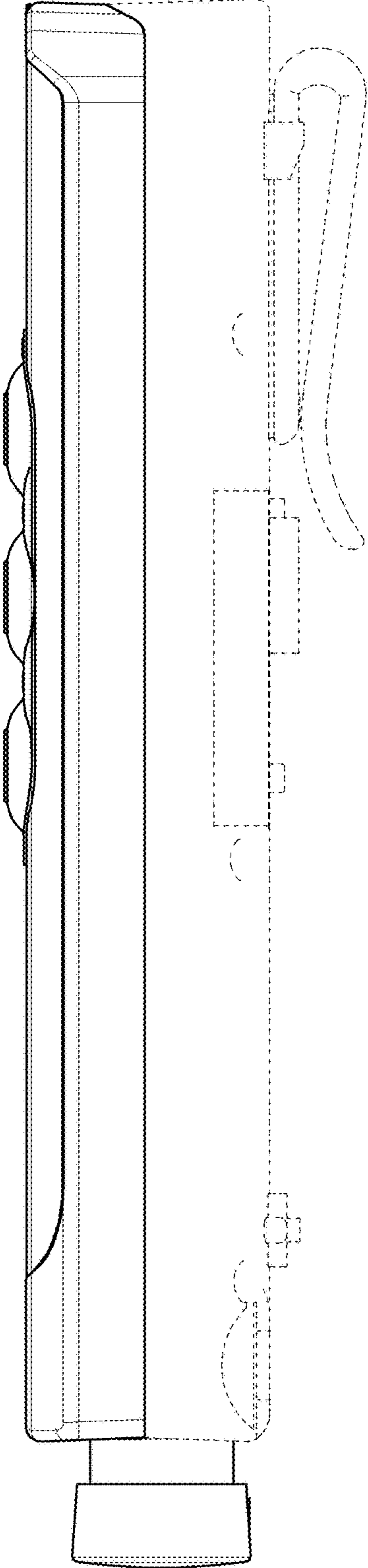


FIG. 3

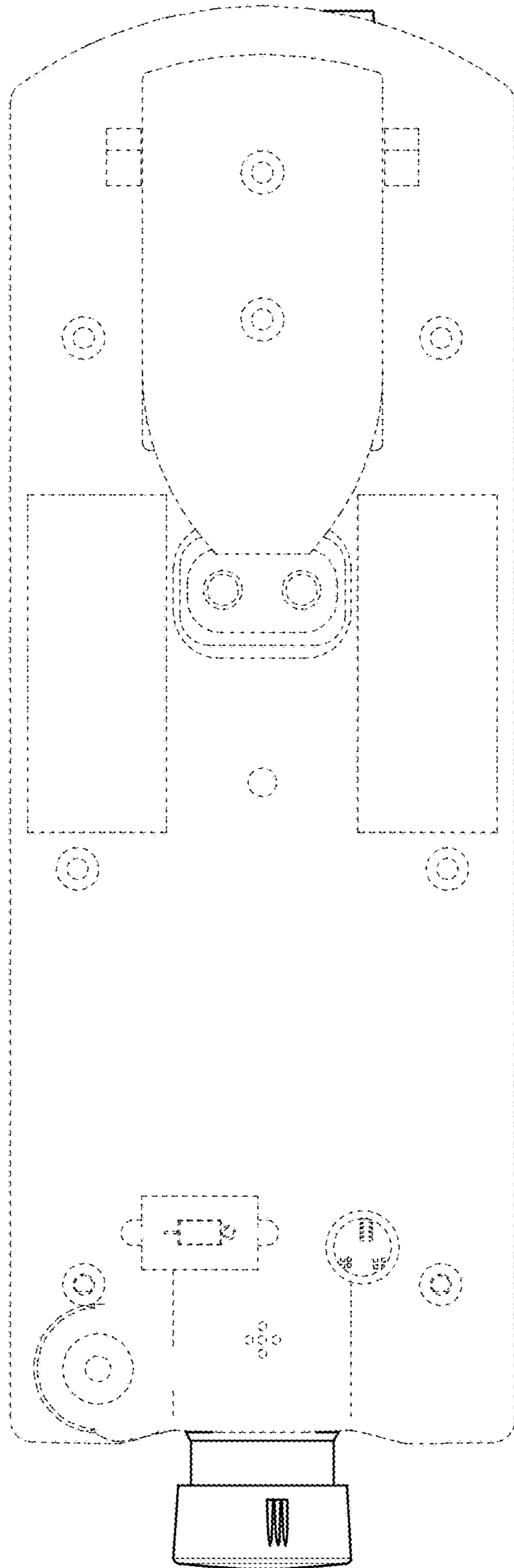


FIG. 4

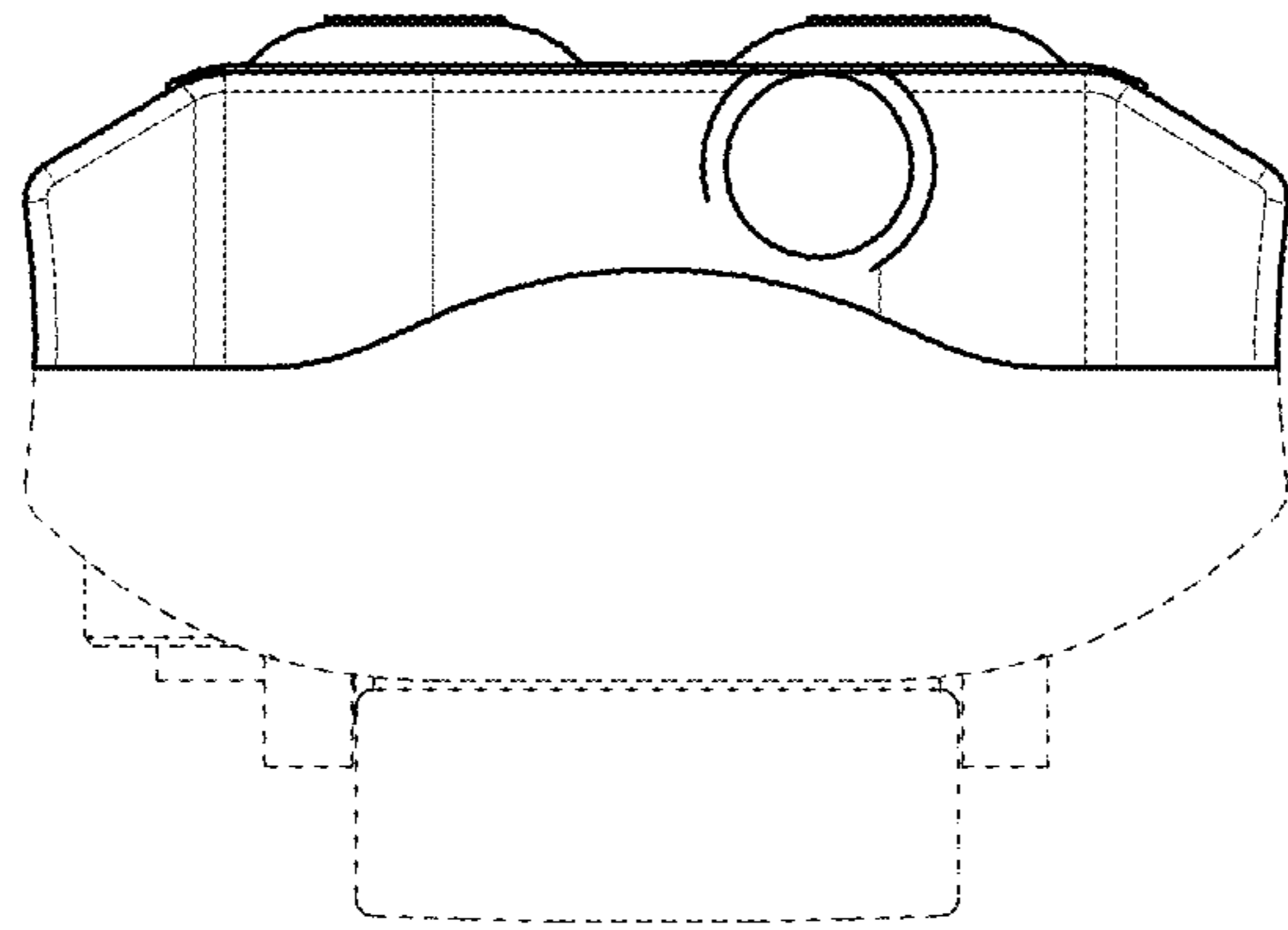


FIG. 5

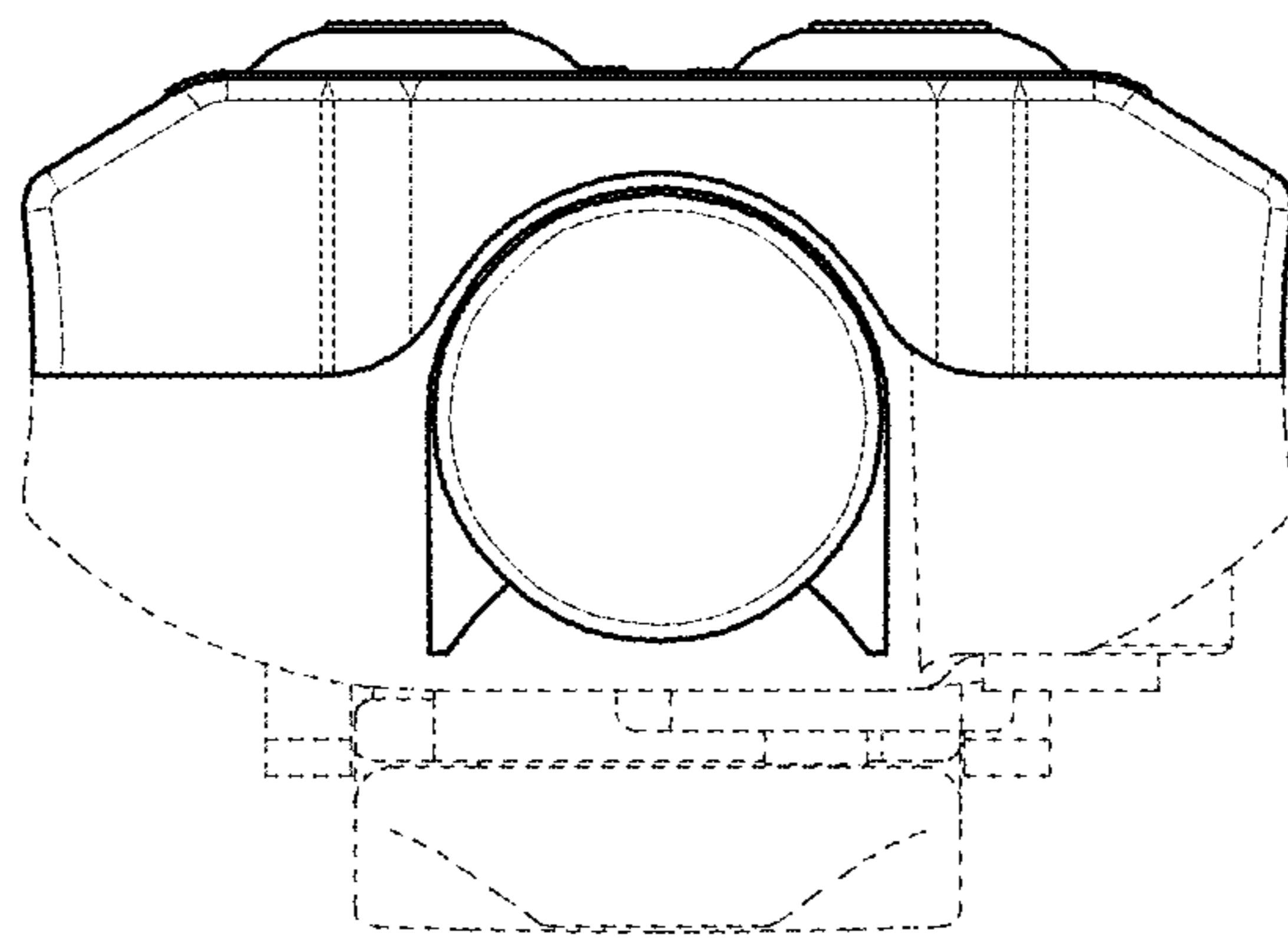


FIG. 6

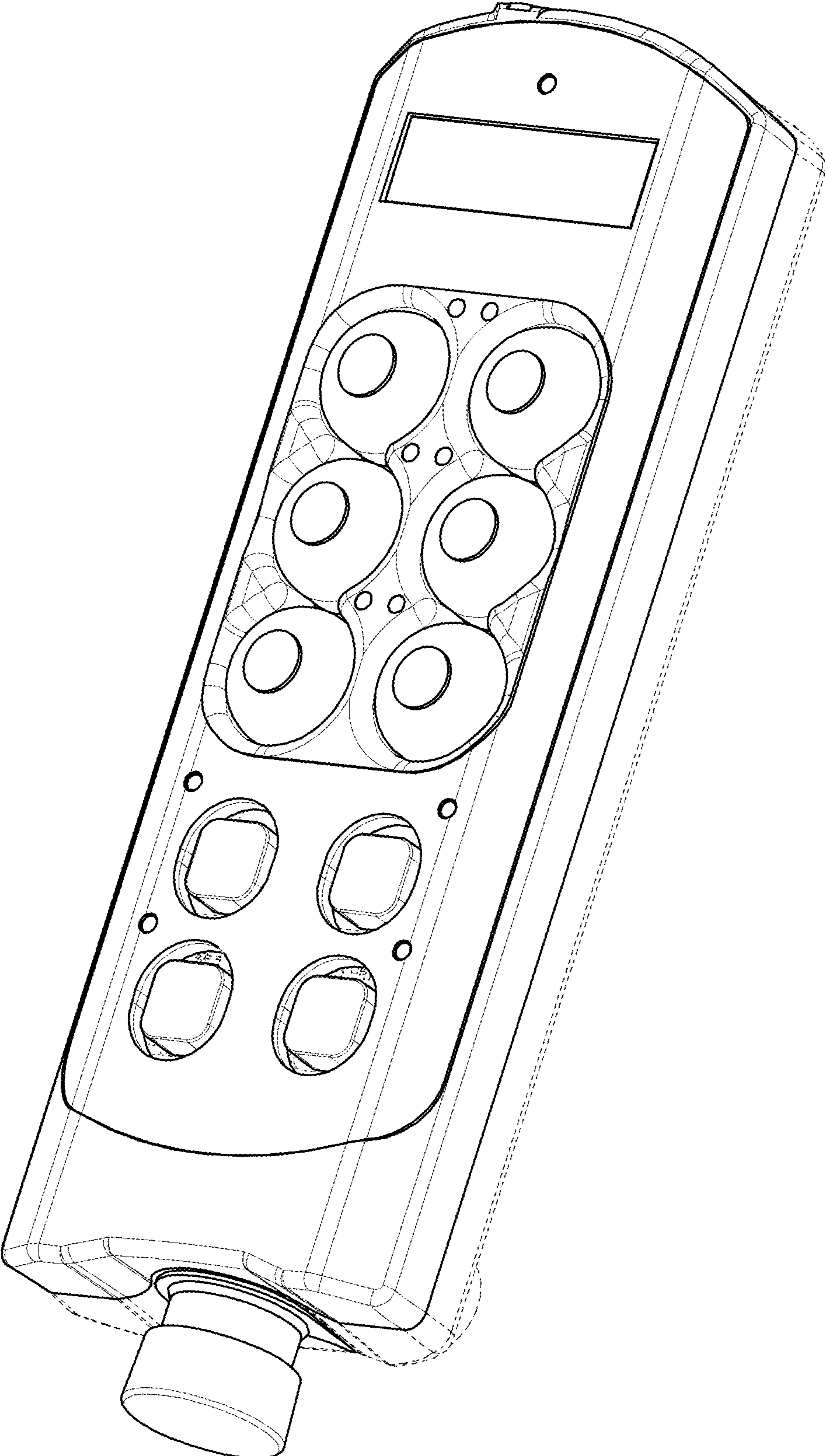


FIG. 7

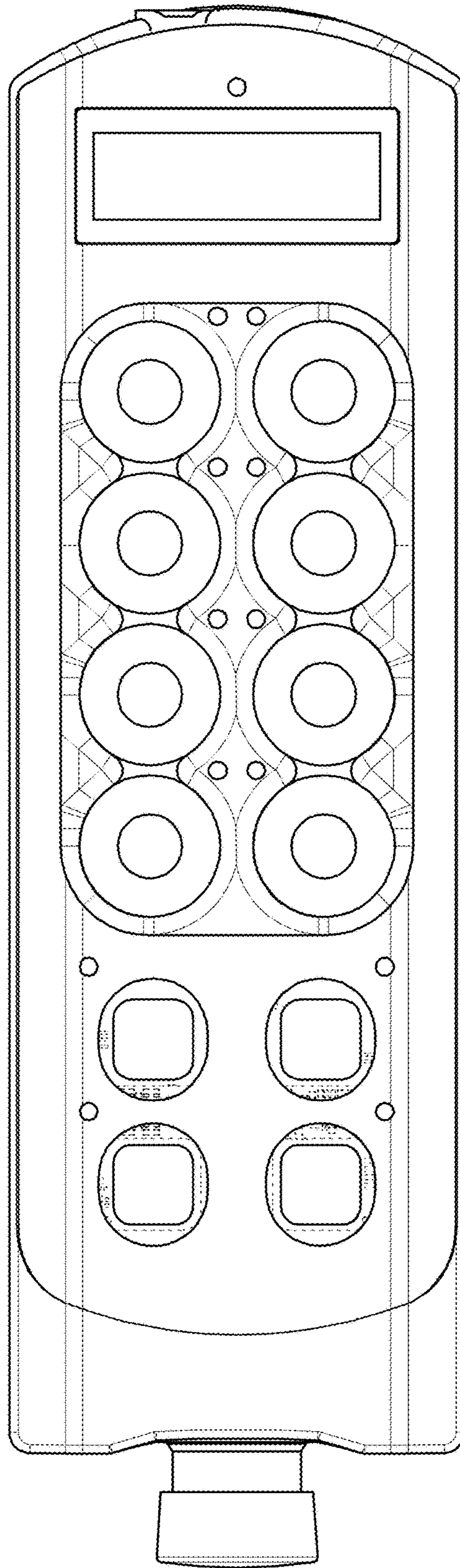


FIG. 8

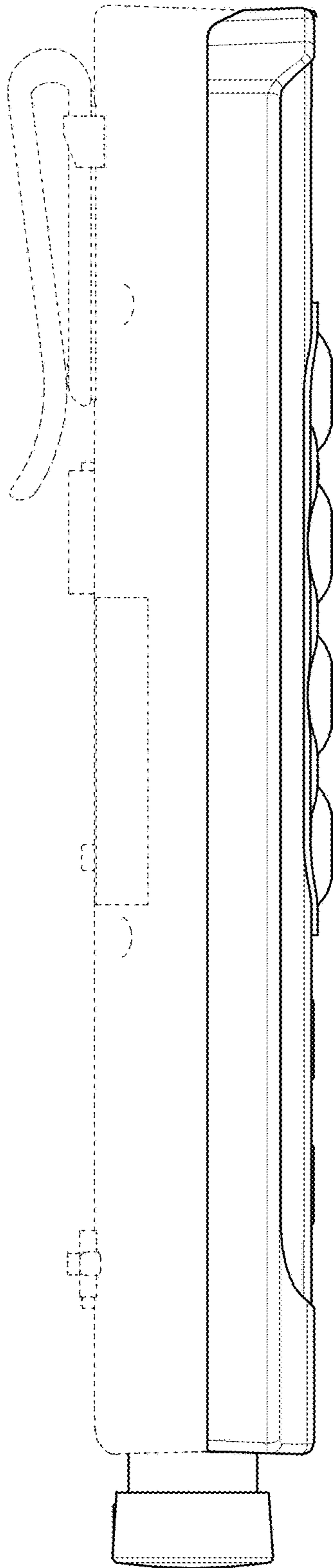


FIG. 9

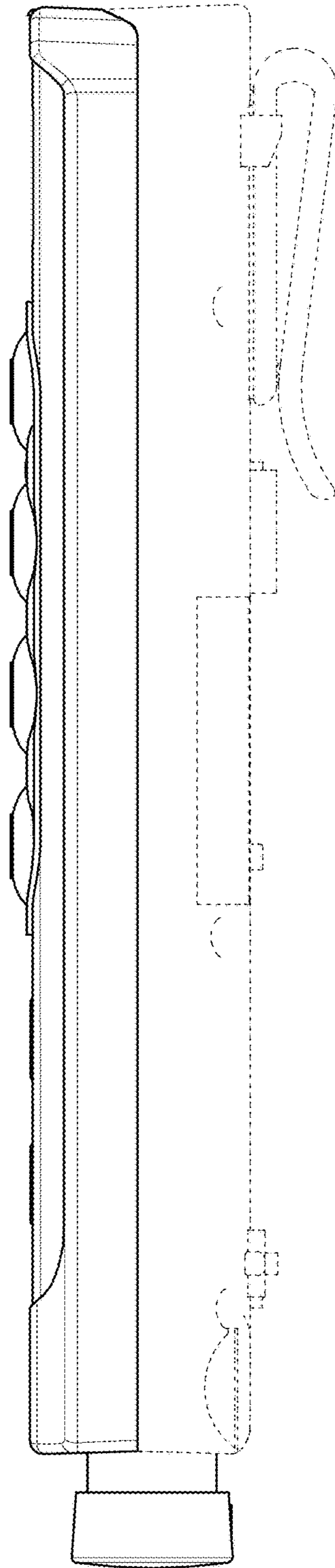


FIG. 10

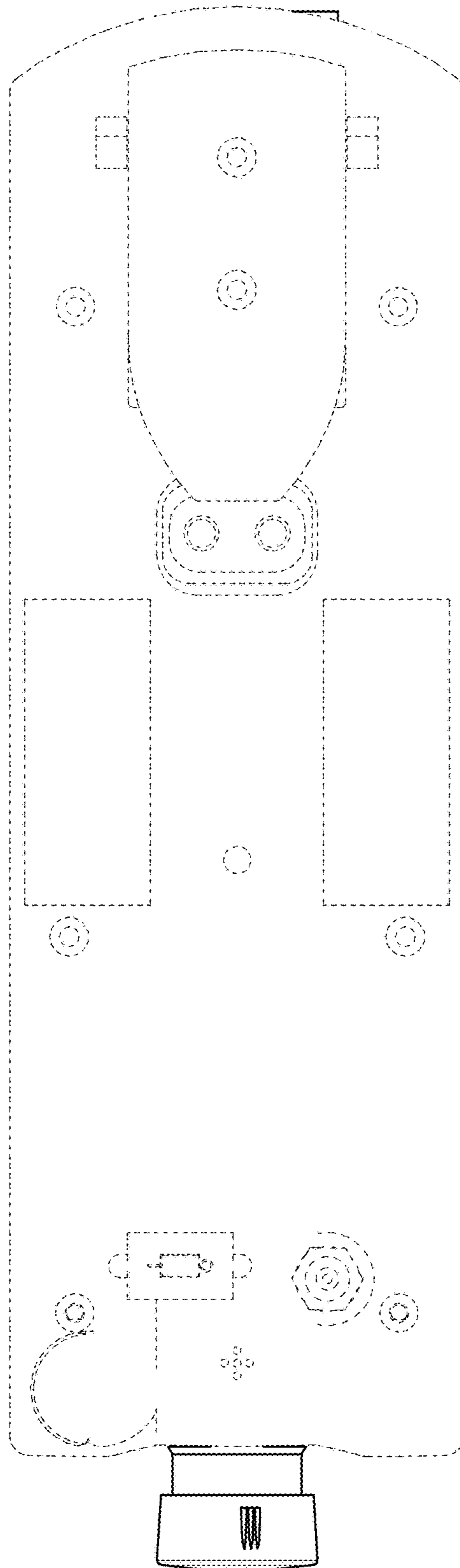


FIG. 11

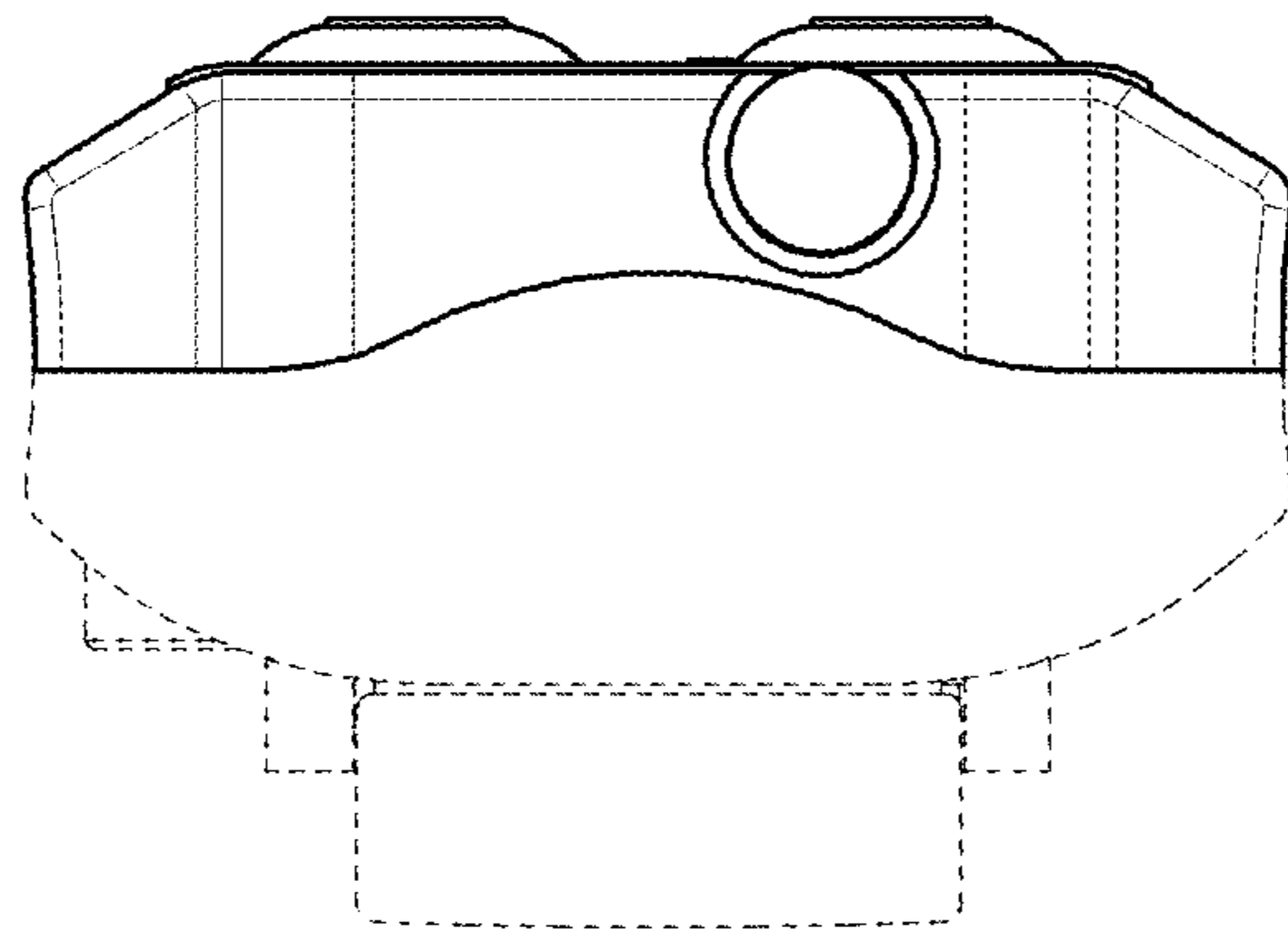


FIG. 12

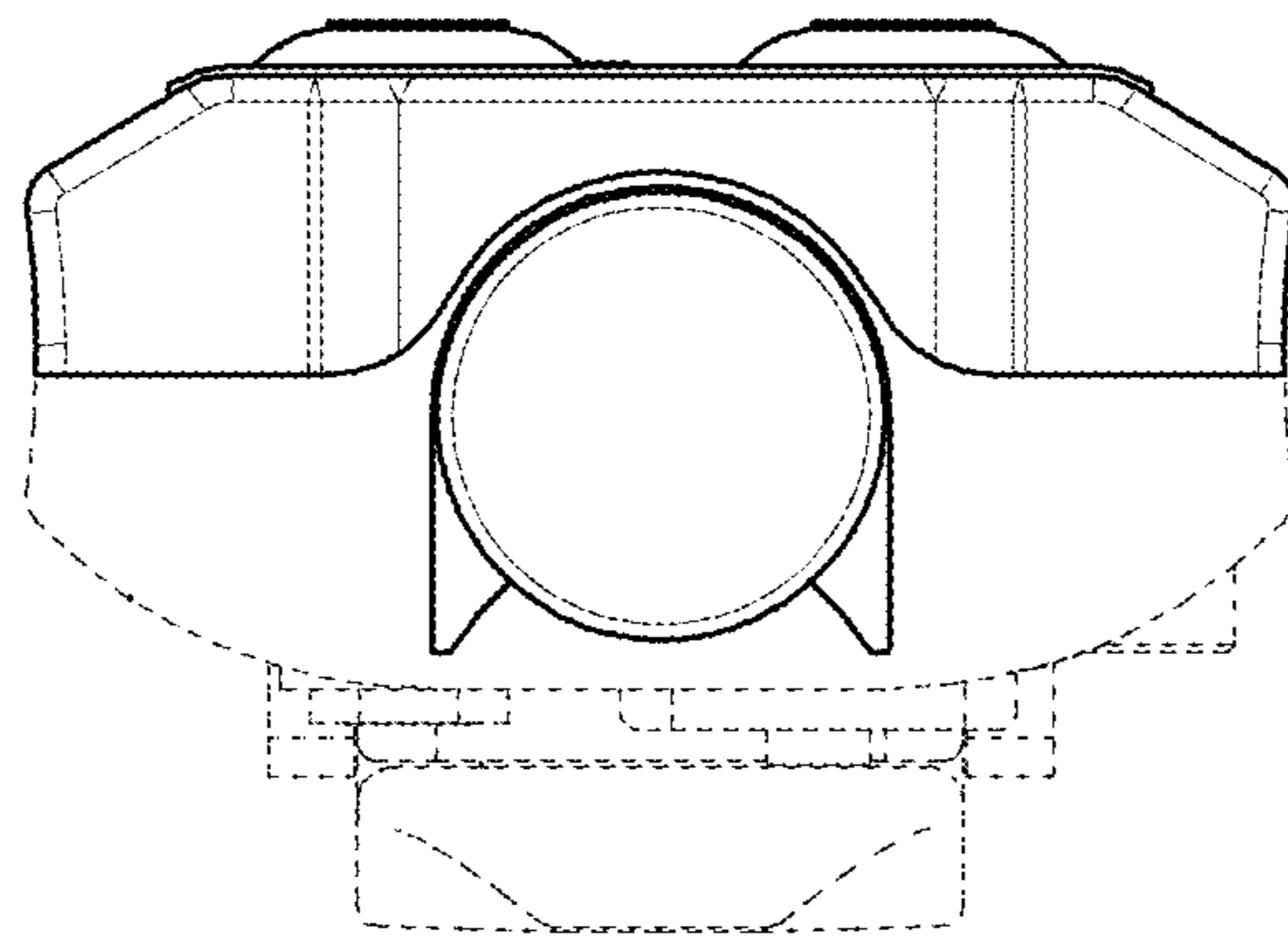


FIG. 13

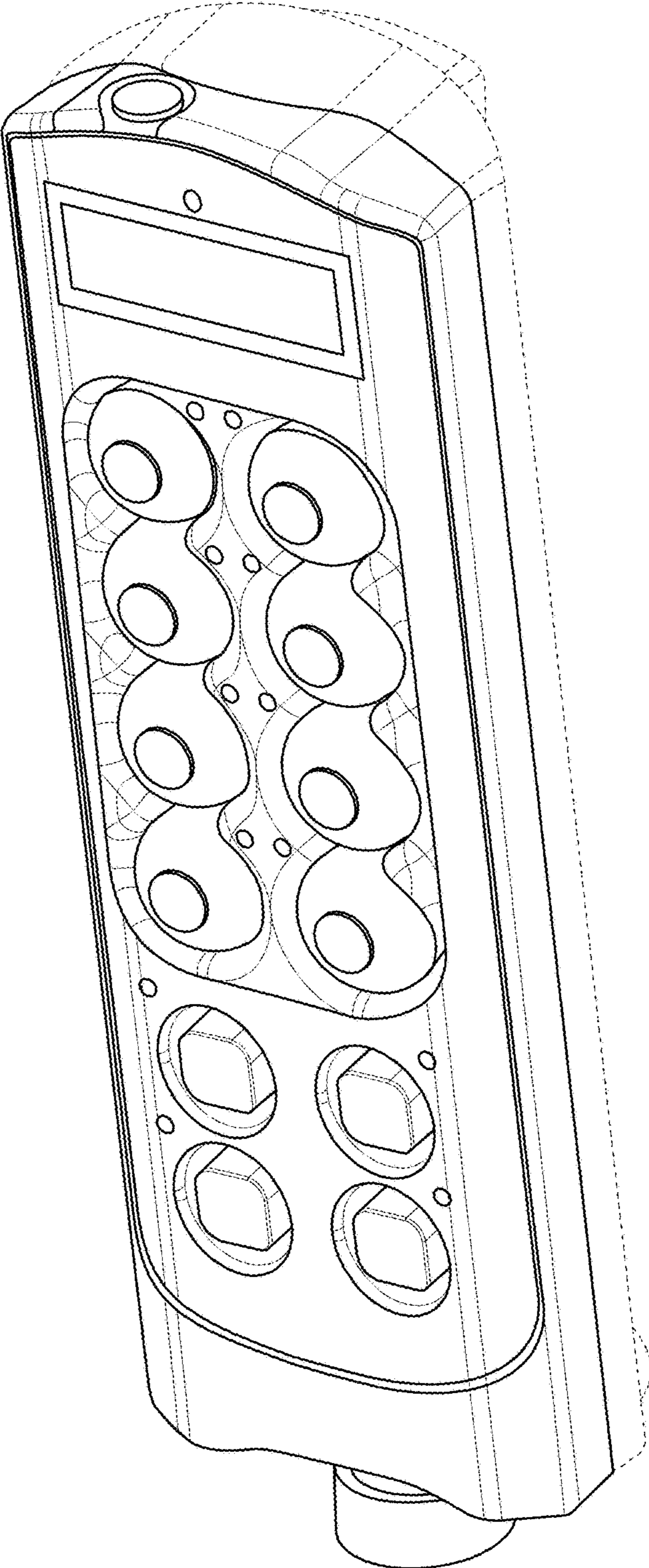


FIG. 14