



US00D776086S

(12) **United States Design Patent**  
**Baird et al.**

(10) **Patent No.:** **US D776,086 S**  
(45) **Date of Patent:** **\*\* Jan. 10, 2017**

(54) **LOUDSPEAKER**

(71) Applicant: **MARTIN AUDIO LIMITED**, High Wycombe, Buckinghamshire (GB)

(72) Inventors: **Jason D. Baird**, London (GB); **Peter F. Lawrence**, High Wycombe (GB)

(73) Assignee: **Martin Audio Limited** (GB)

(\*\*) Term: **14 Years**

(21) Appl. No.: **29/507,053**

(22) Filed: **Oct. 23, 2014**

(30) **Foreign Application Priority Data**

Apr. 23, 2014 (EM) ..... 002451161-0001  
Apr. 23, 2014 (EM) ..... 002451161-0002

(Continued)

(51) **LOC (10) Cl.** ..... **14-01**

(52) **U.S. Cl.**  
USPC ..... **D14/214**

(58) **Field of Classification Search**  
USPC ..... D14/214, 211, 204, 210, 208, 212,  
D14/213, 172, 215, 216, 158, 221, 261;  
D14/181/156, 181/157, 159, 199, 148;  
381/386, 387, 388

(Continued)

(56) **References Cited**

**U.S. PATENT DOCUMENTS**

D222,476 S \* 10/1971 Ohyama et al. .... D14/210  
3,757,889 A \* 9/1973 Everitt ..... H04R 1/021  
181/156

(Continued)

*Primary Examiner* — Paula Greene

(74) *Attorney, Agent, or Firm* — Dinsmore & Shohl LLP

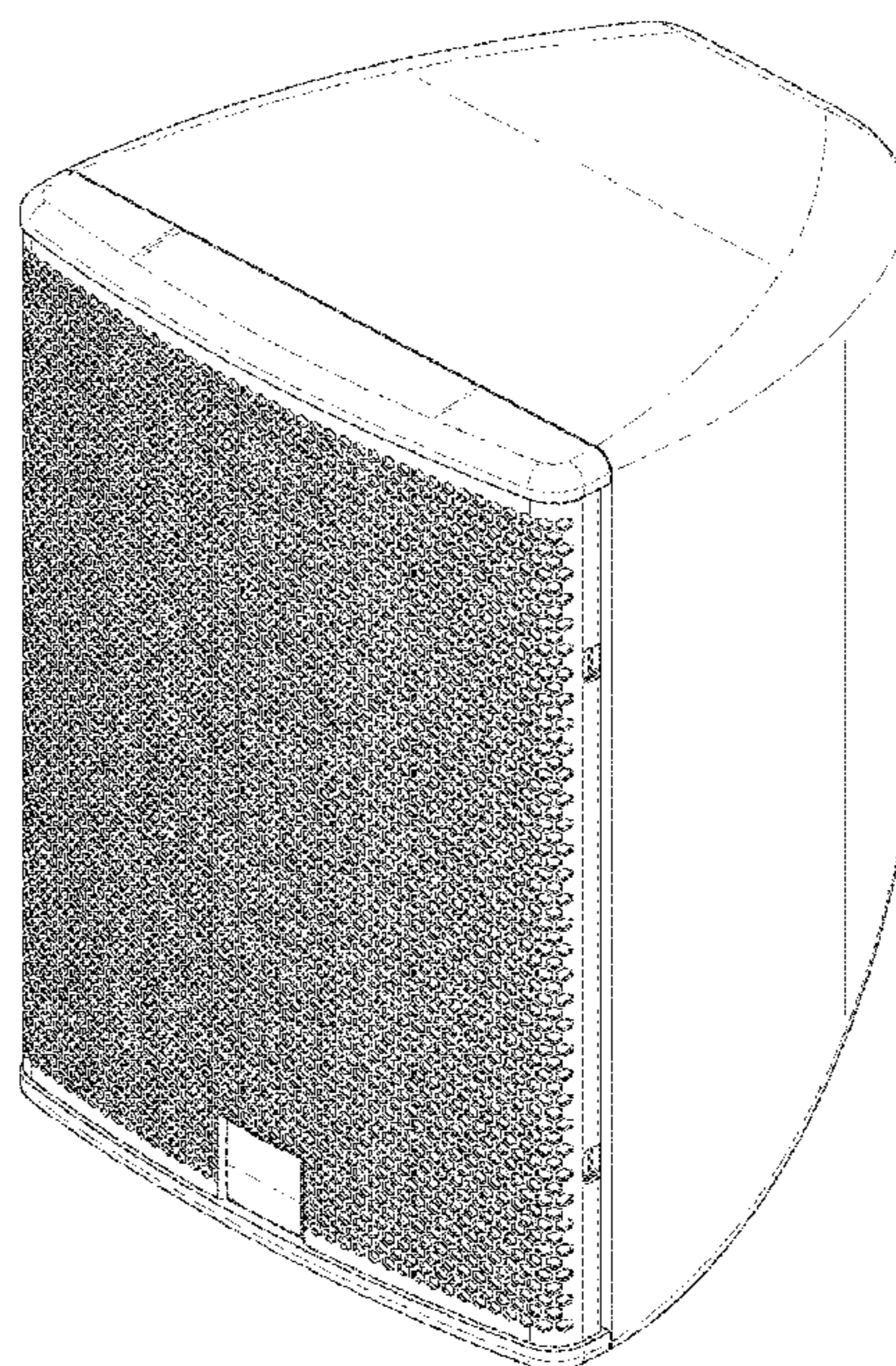
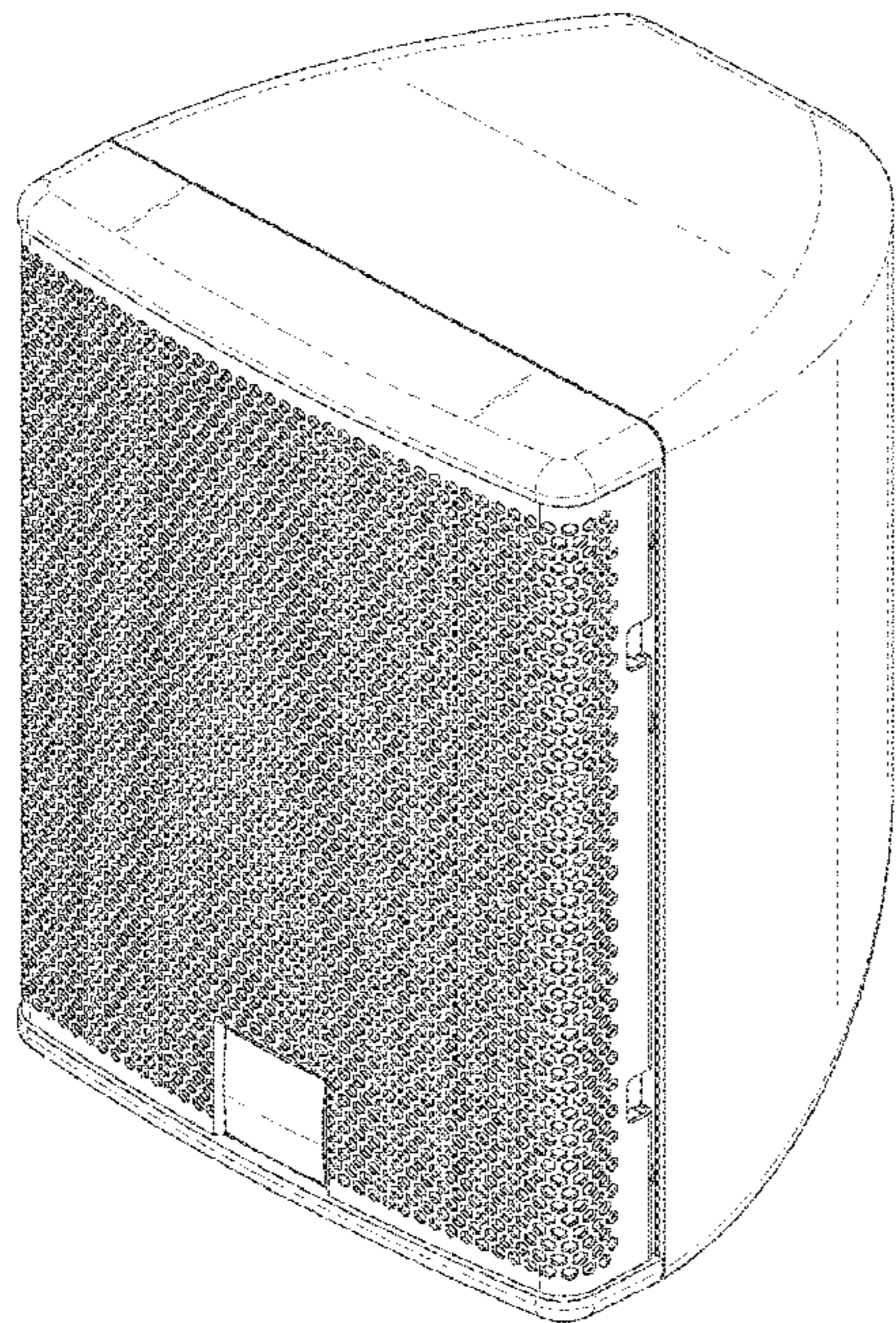
(57) **CLAIM**

The ornamental design of a loudspeaker, as shown and described.

**DESCRIPTION**

FIG. 1 is a perspective view of a loudspeaker illustrating our new design;  
FIG. 2 is a front view of the design of FIG. 1;  
FIG. 3 is a rear view of the design of FIG. 1;  
FIG. 4 is a side view of the design of FIG. 1;  
FIG. 5 is an opposite side view of the design of FIG. 1;  
FIG. 6 is a top view of the design of FIG. 1;  
FIG. 7 is a bottom view of the design of FIG. 1;  
FIG. 8 is a perspective view of an alternative embodiment of a loudspeaker illustrating our new design;  
FIG. 9 is a front view of the design of FIG. 8;  
FIG. 10 is a rear view of the design of FIG. 8;  
FIG. 11 is a side view of the design of FIG. 8;  
FIG. 12 is an opposite side view of the design of FIG. 8;  
FIG. 13 is a top view of the design of FIG. 8;  
FIG. 14 is a bottom view of the design of FIG. 8;  
FIG. 15 is a perspective view of an alternative embodiment of a loudspeaker illustrating our new design;  
FIG. 16 is a front view of the design of FIG. 15;  
FIG. 17 is a rear view of the design of FIG. 15;  
FIG. 18 is a side view of the design of FIG. 15;  
FIG. 19 is an opposite side view of the design of FIG. 15;  
FIG. 20 is a top view of the design of FIG. 15; and,  
FIG. 21 is a bottom view of the design of FIG. 15.  
The broken lines, if any, represent portions of the structure that form no part of the claim.

**1 Claim, 21 Drawing Sheets**





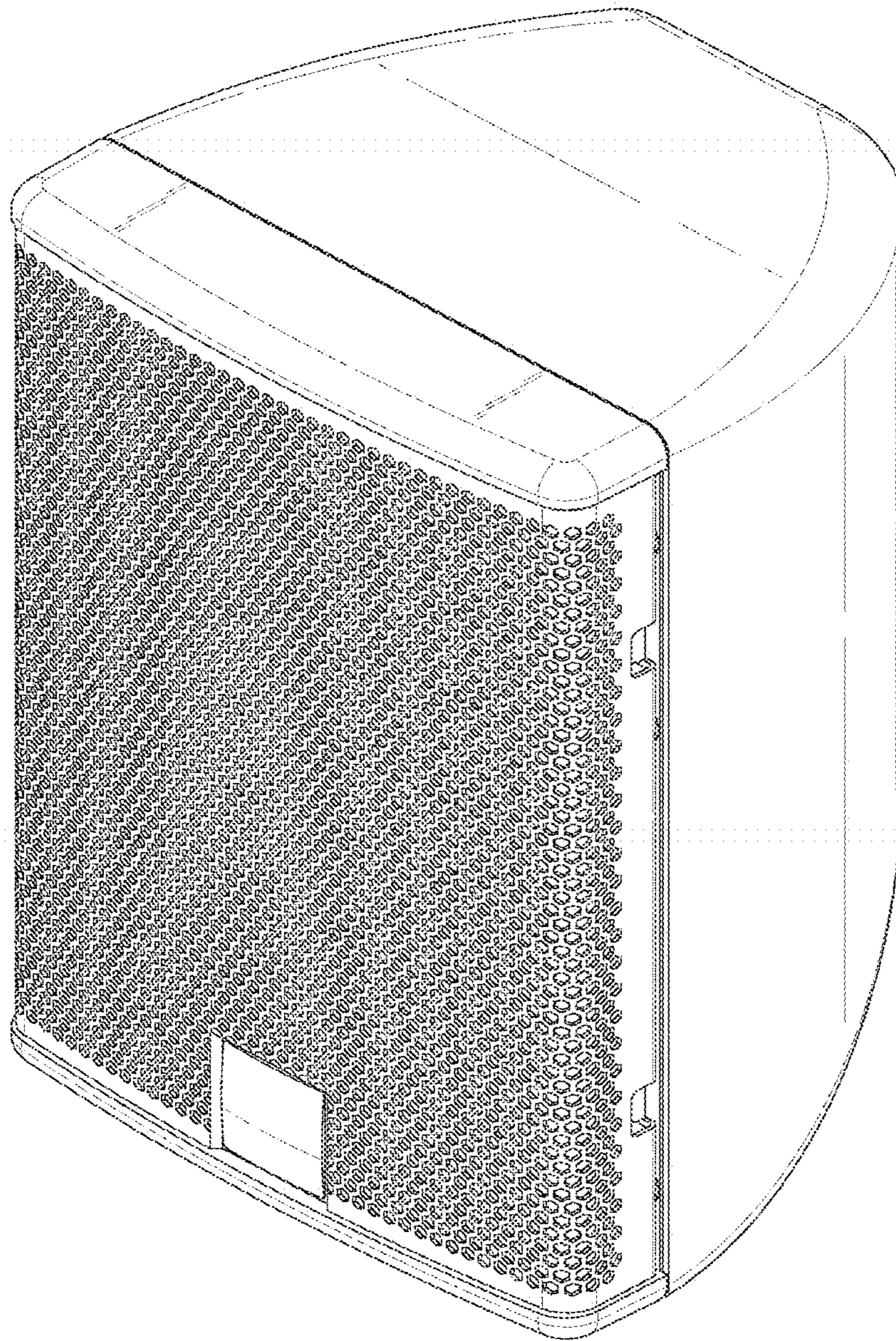


Fig. 1

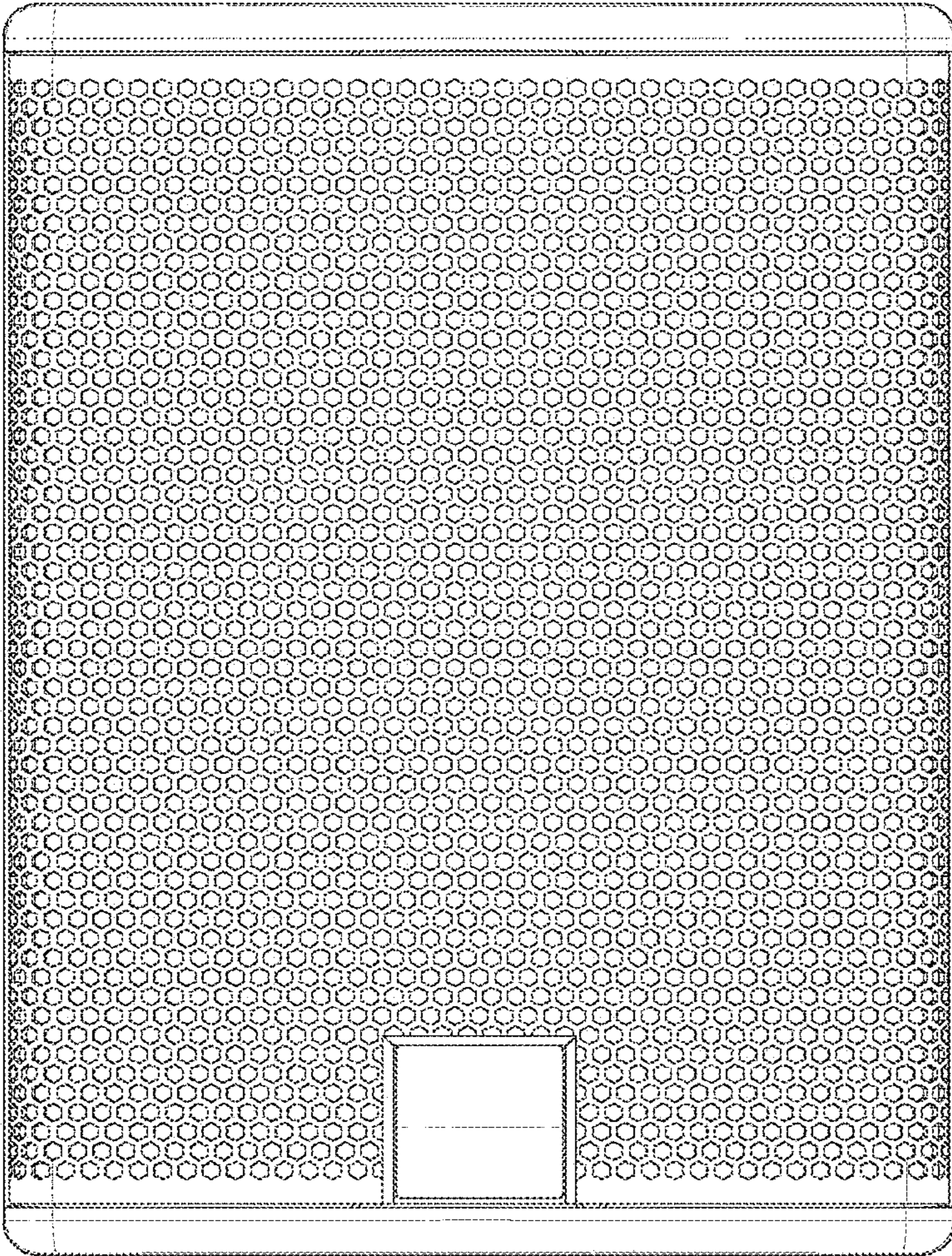


Fig. 2

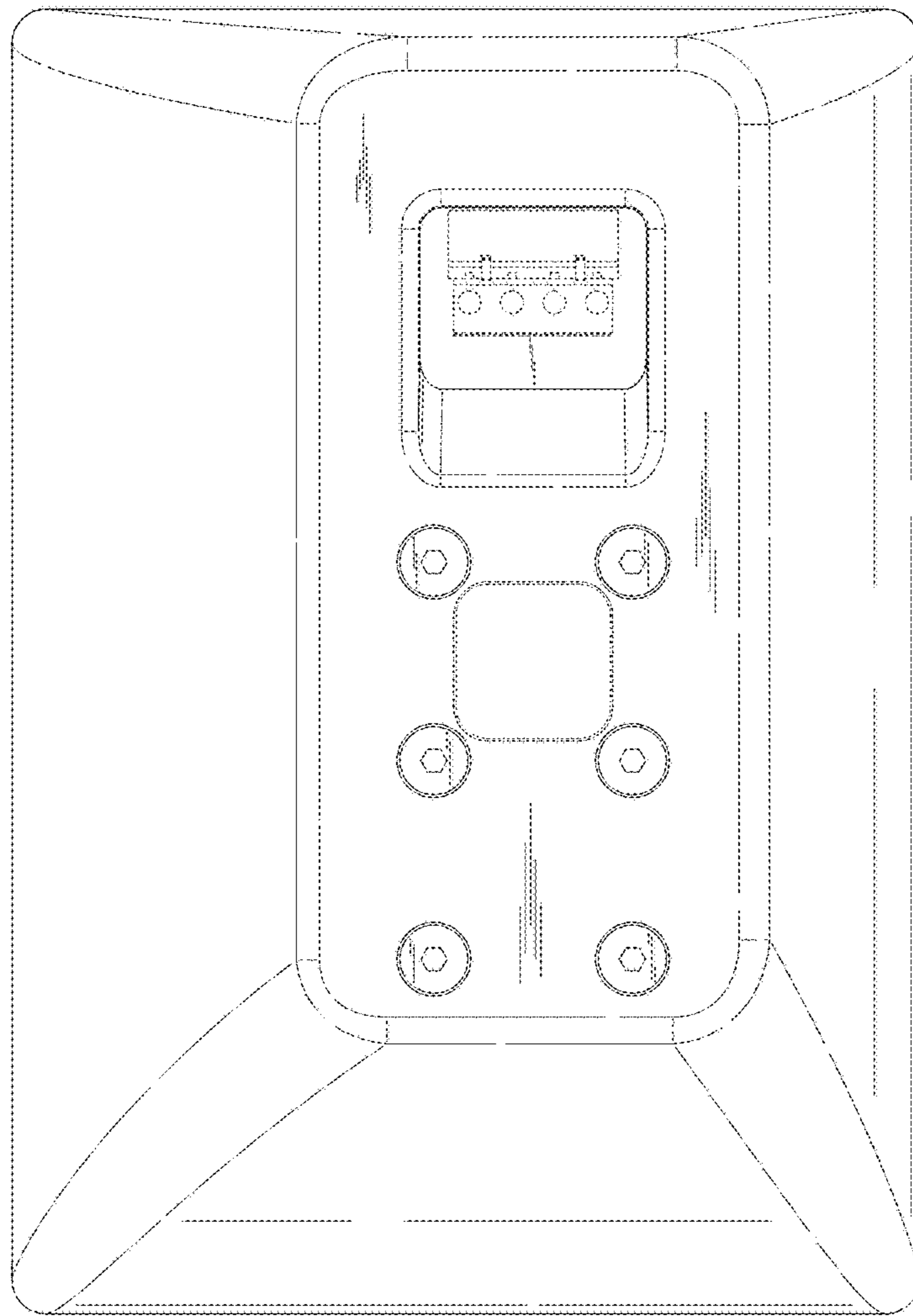


Fig. 3

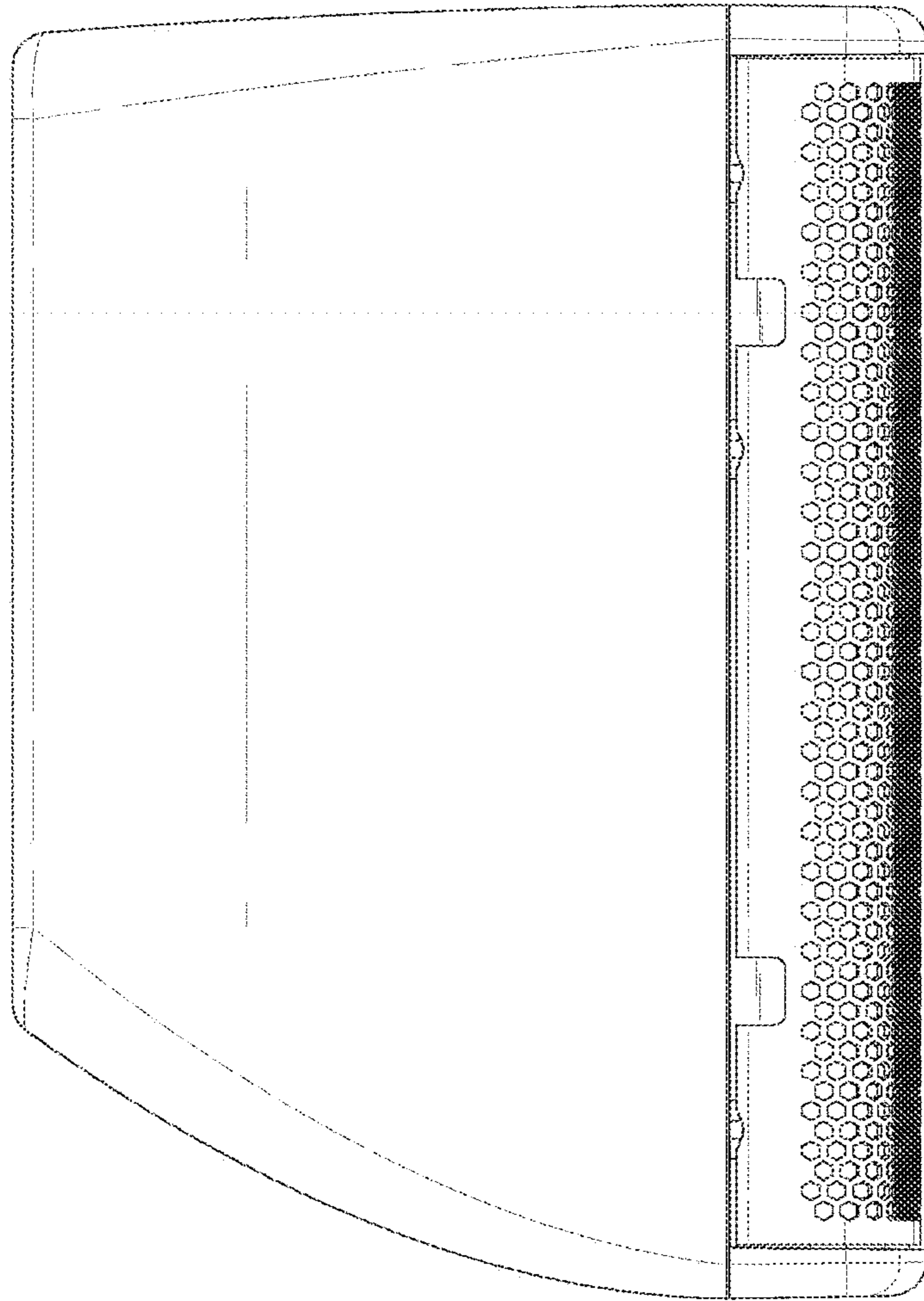


Fig. 4

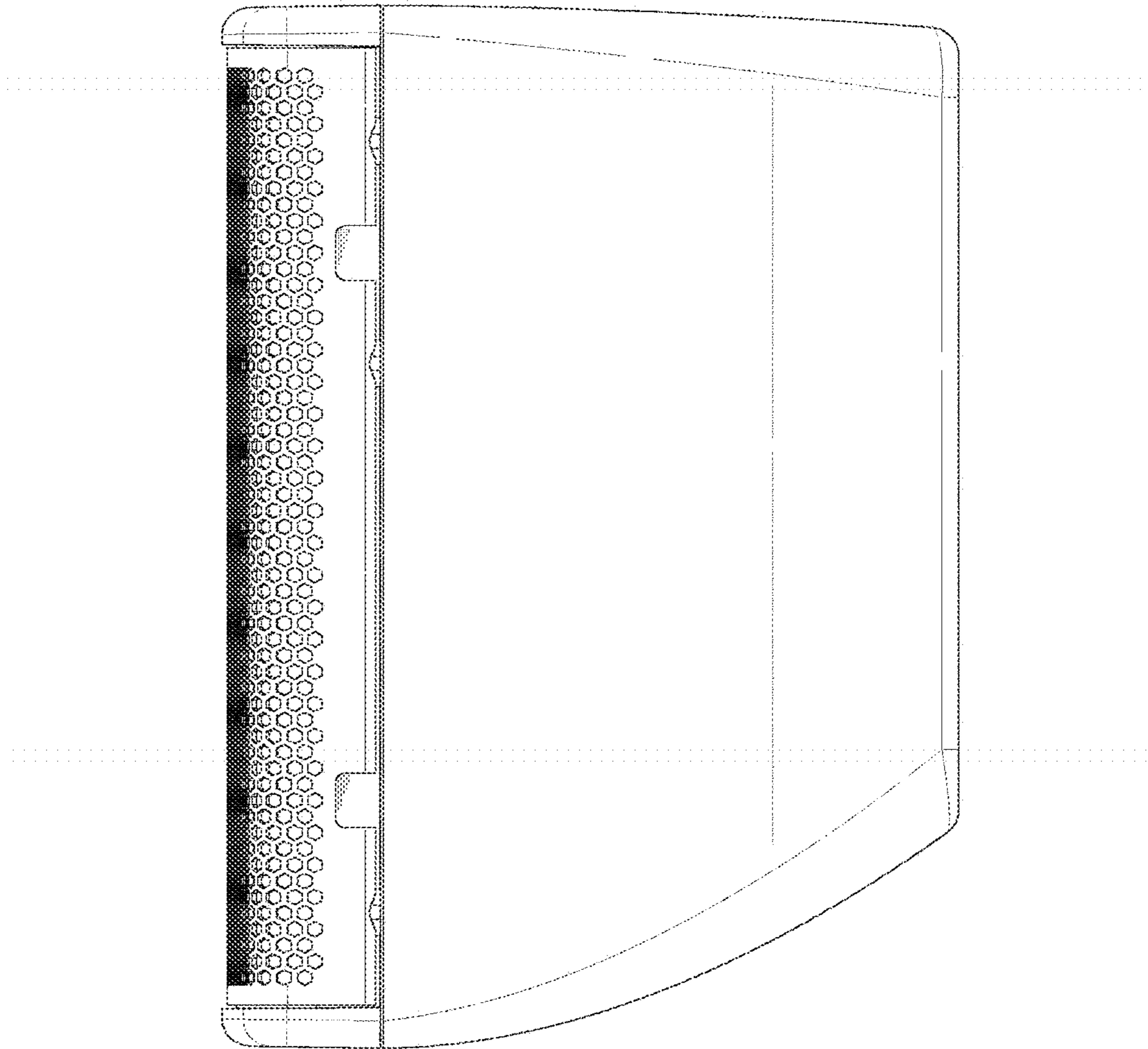


Fig. 5

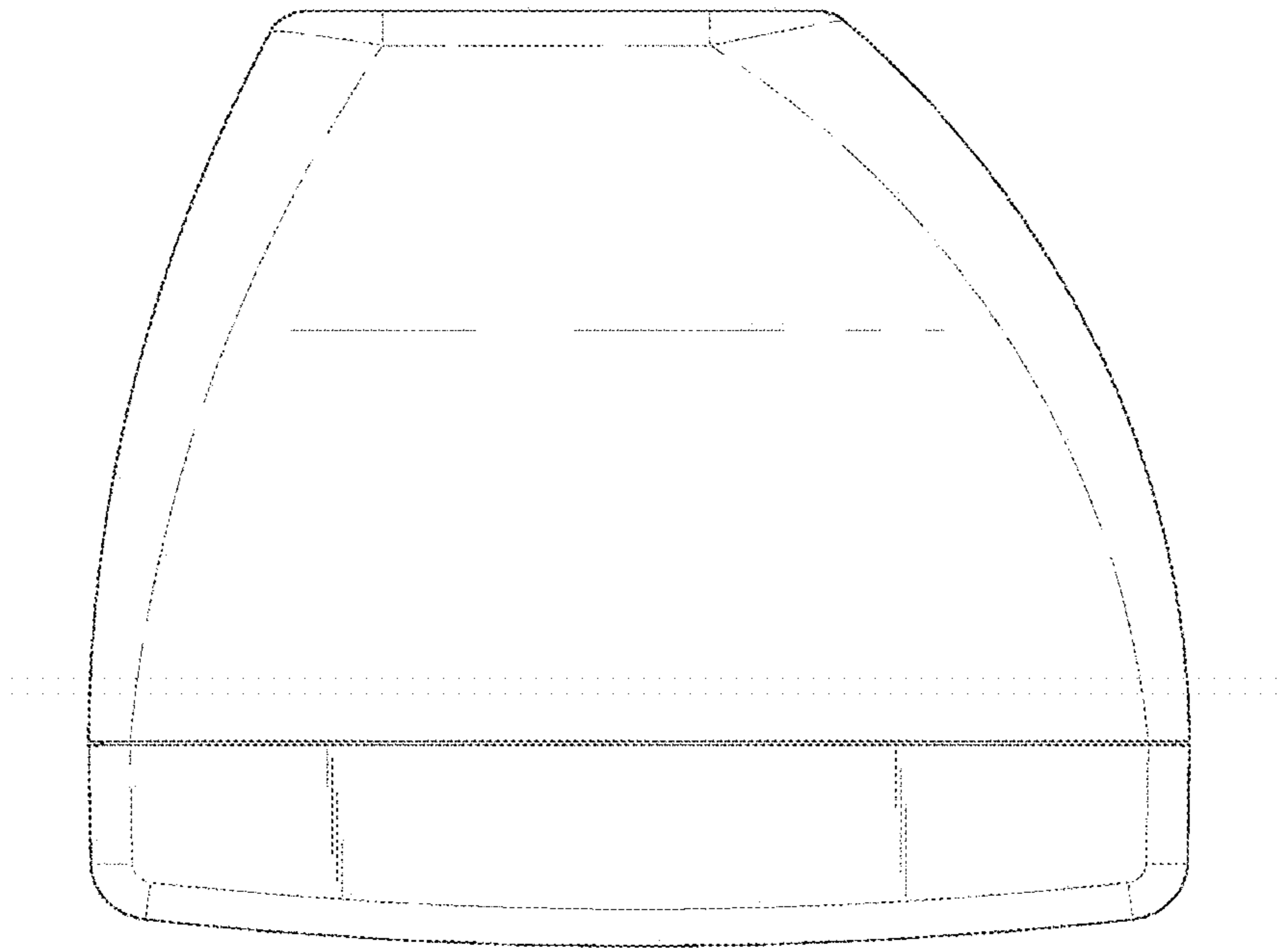


Fig. 6



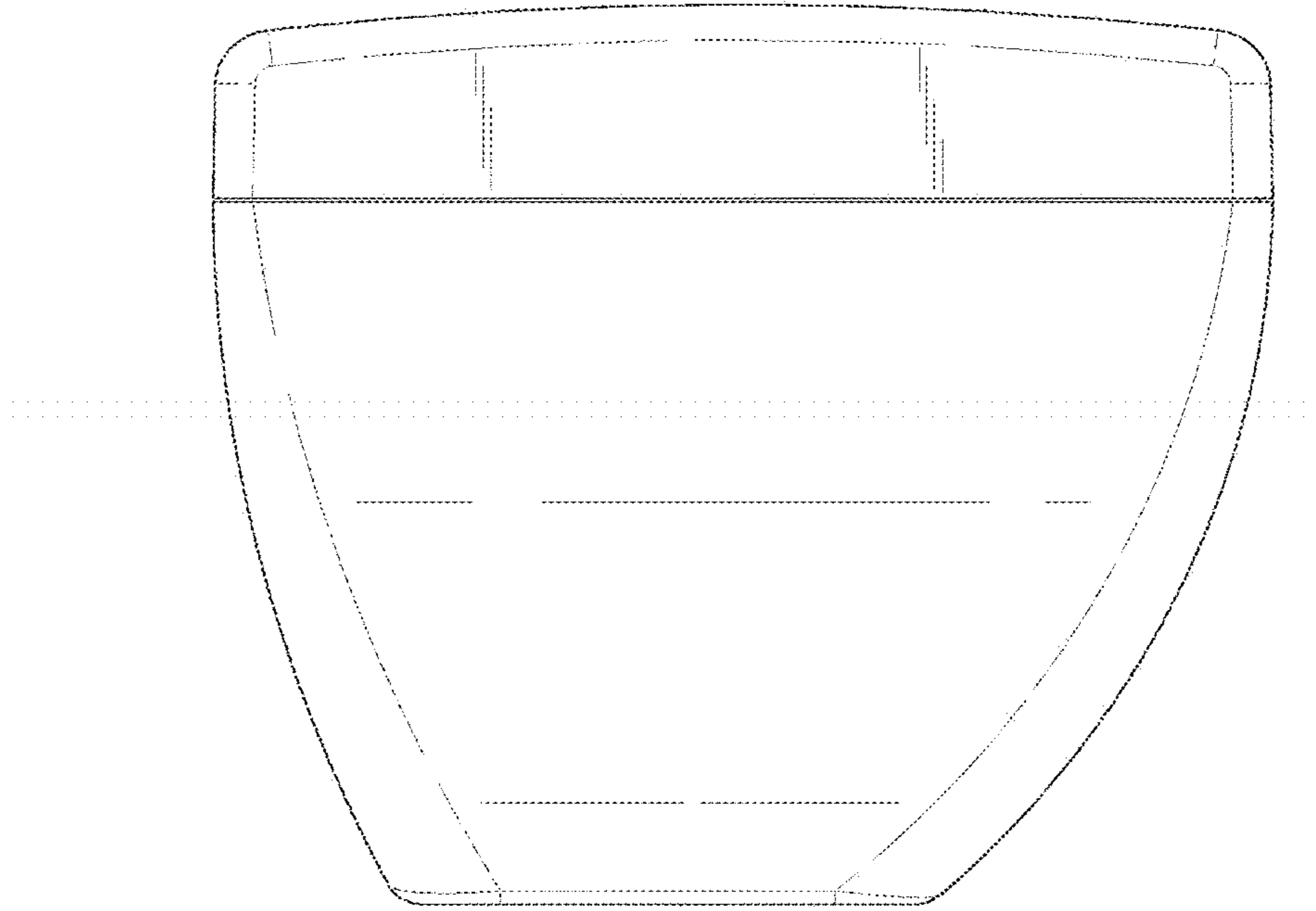


Fig. 7

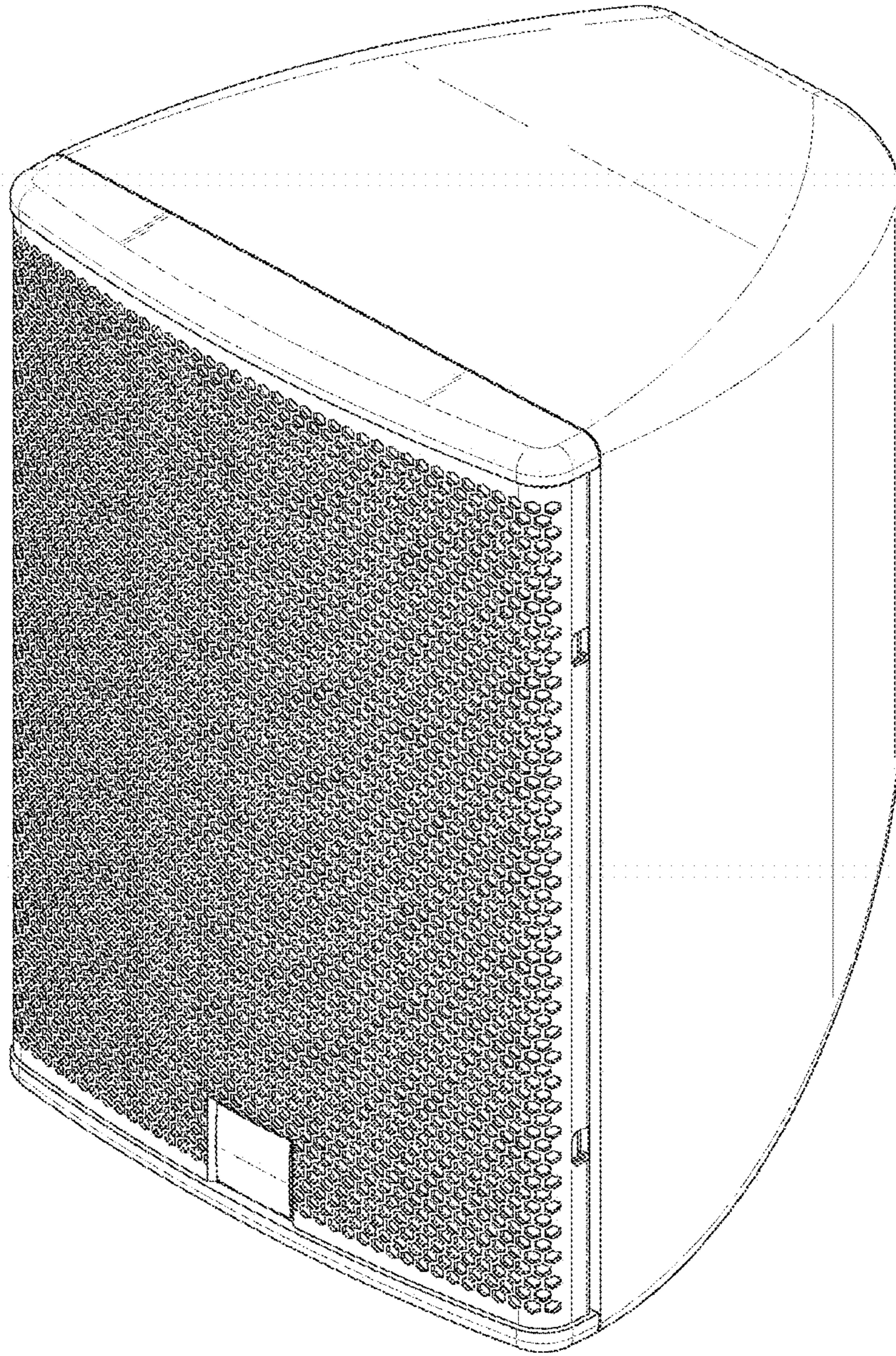


Fig. 8

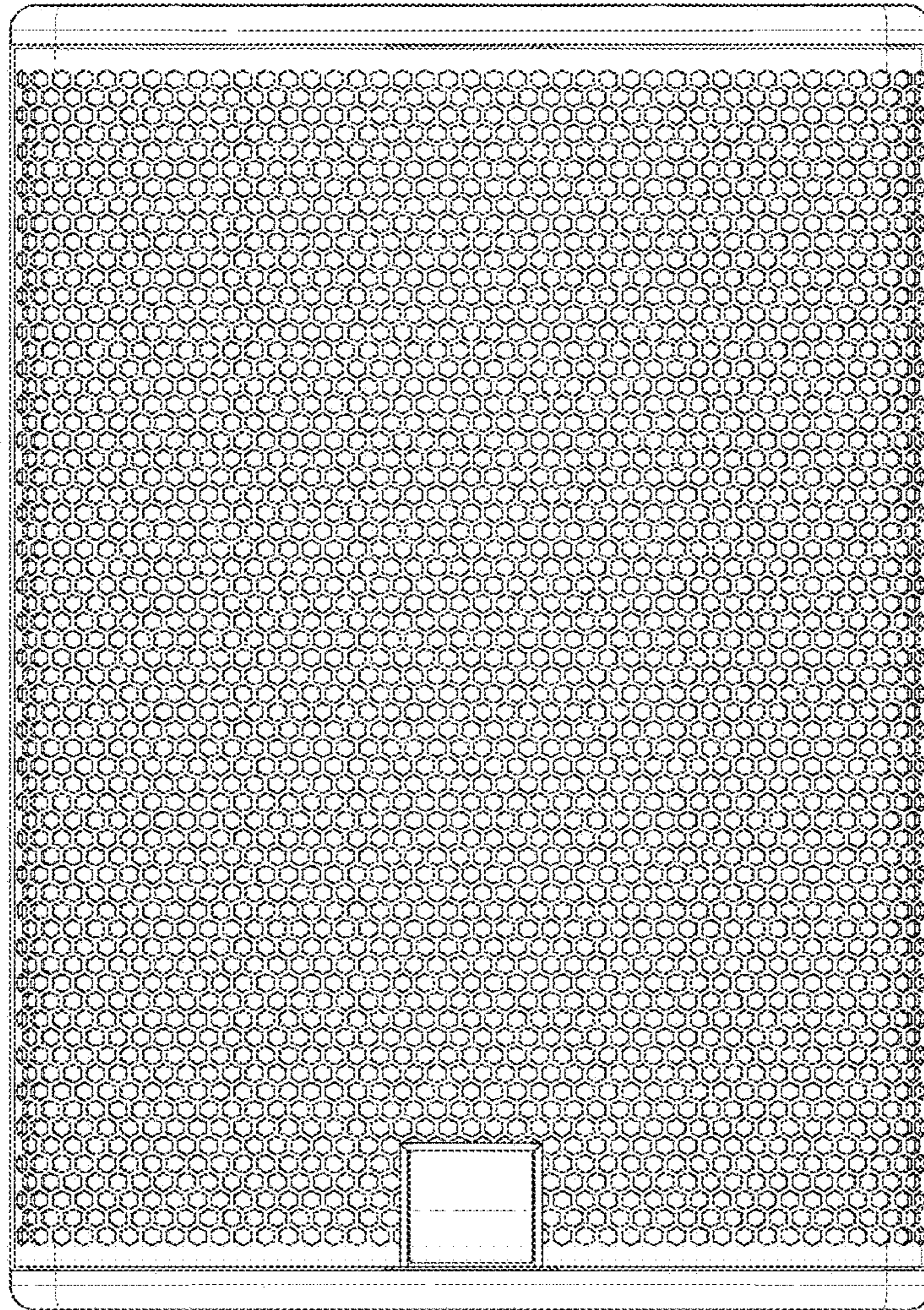


Fig. 9

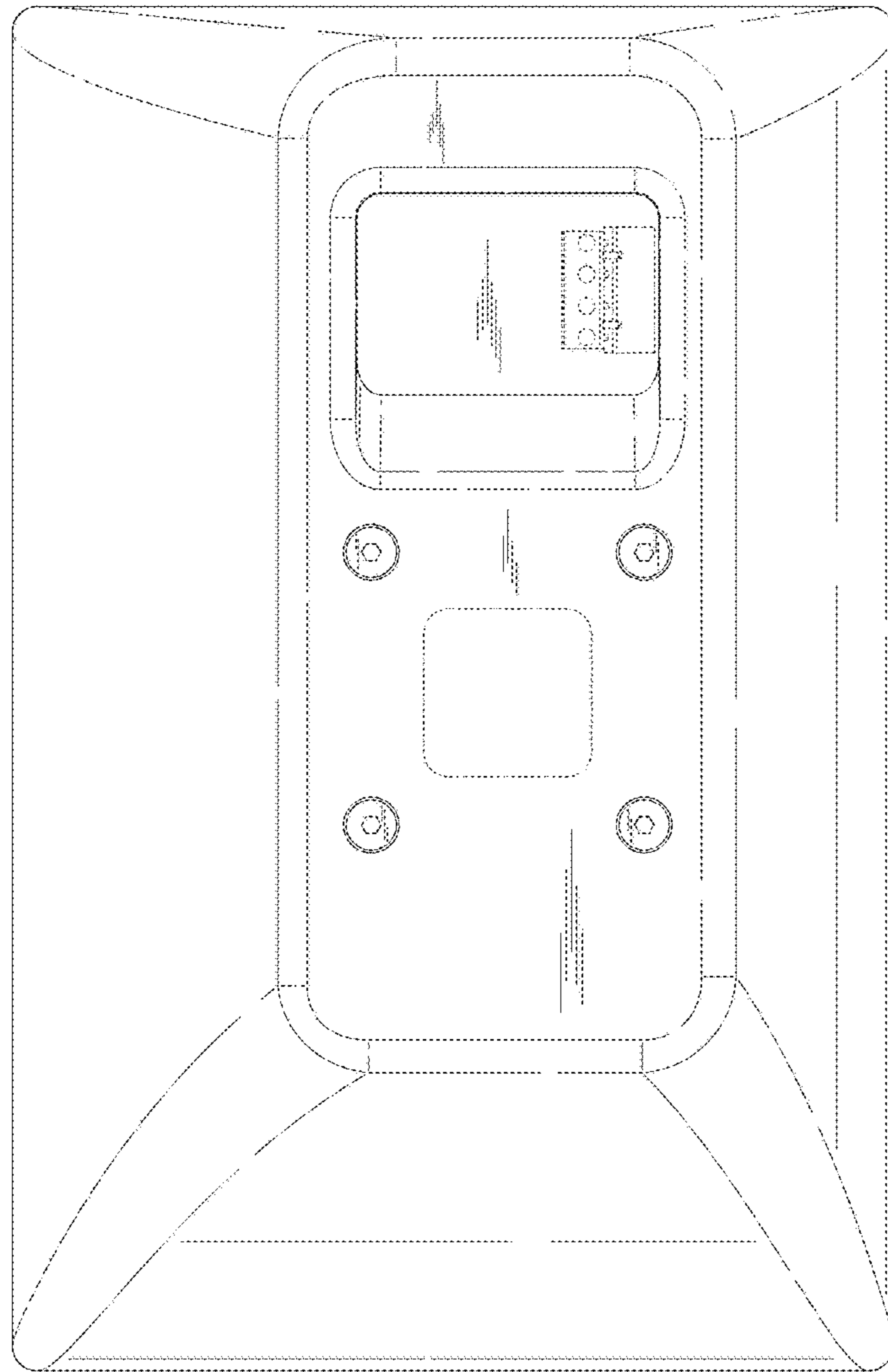


Fig. 10

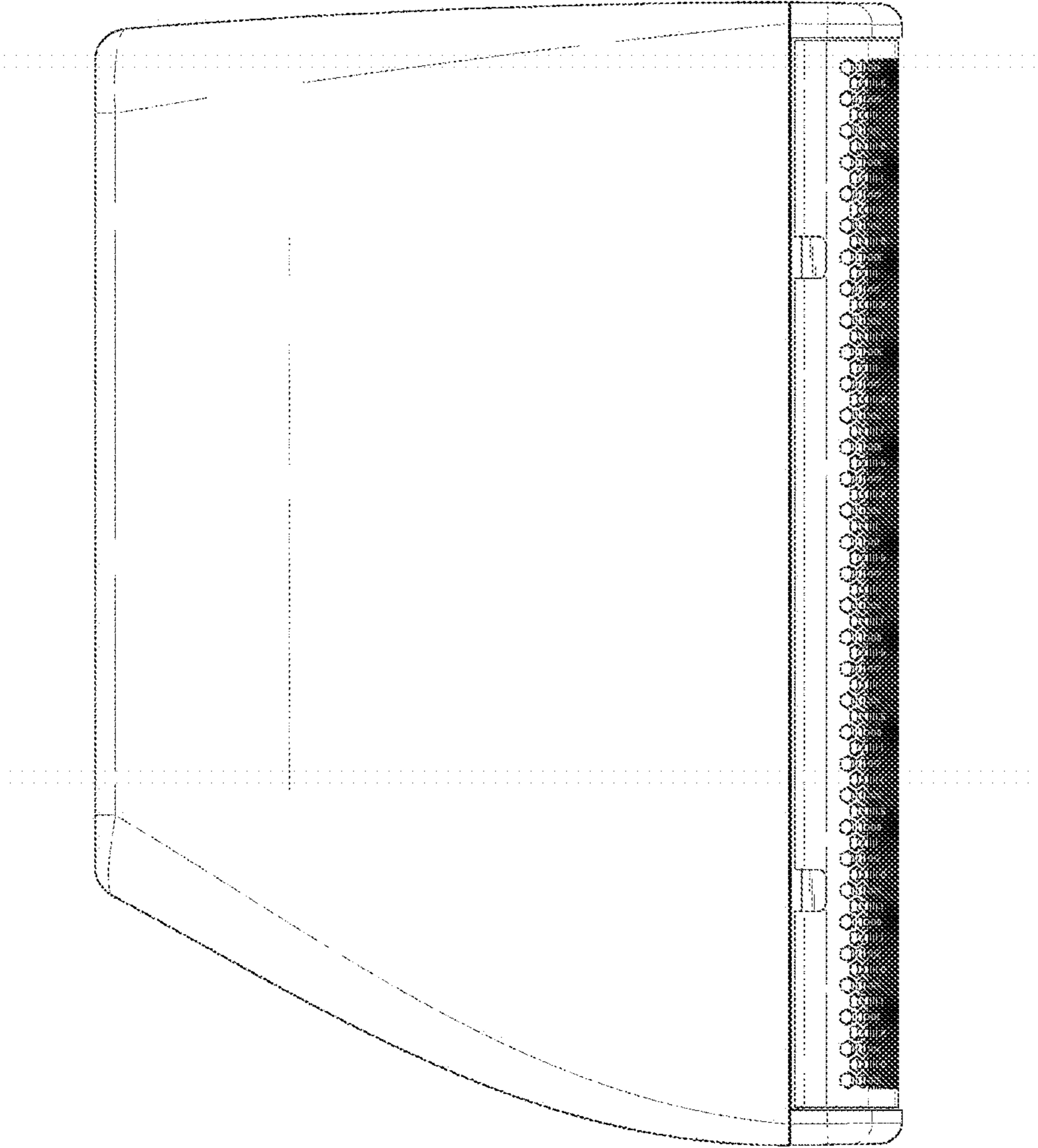


Fig. 11

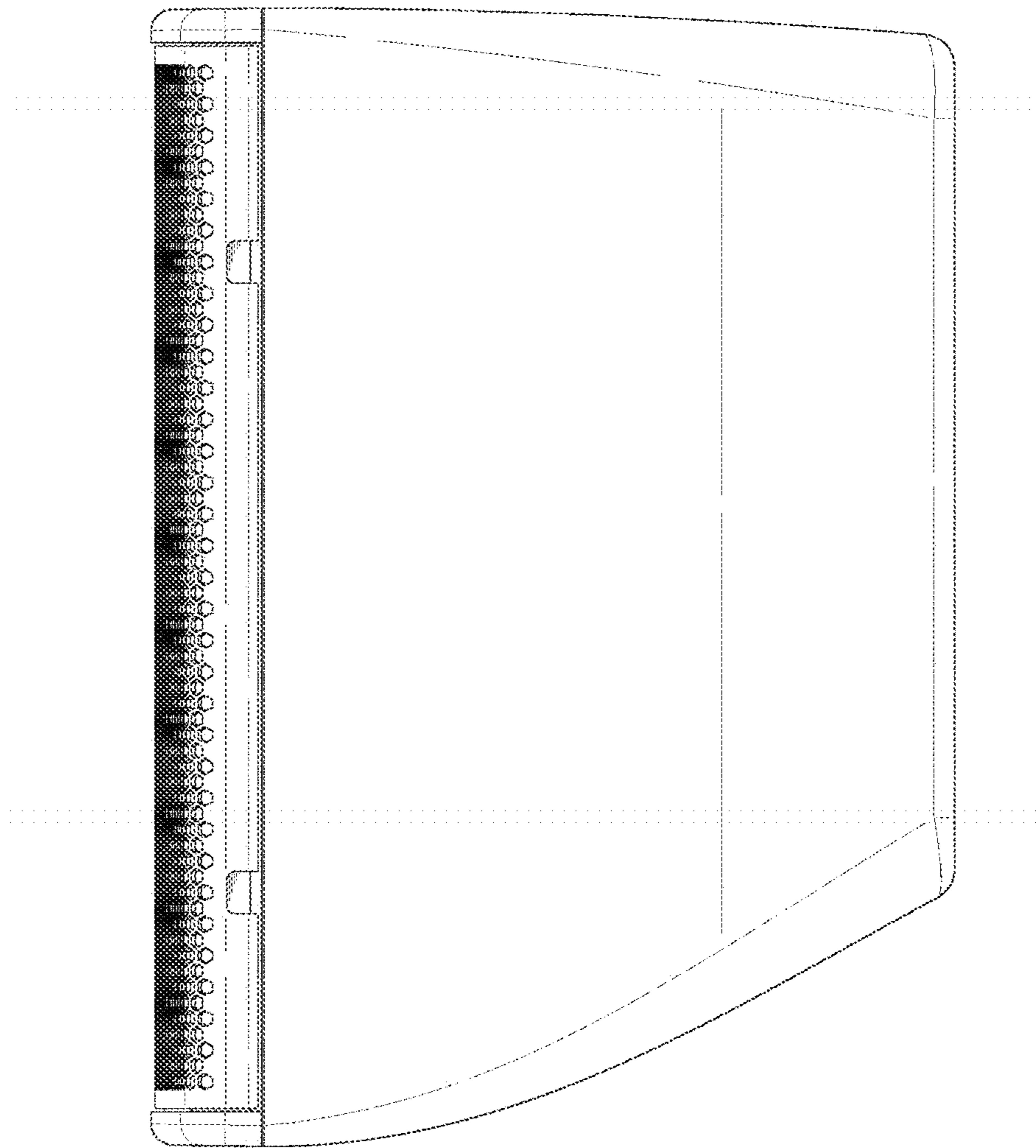


Fig. 12

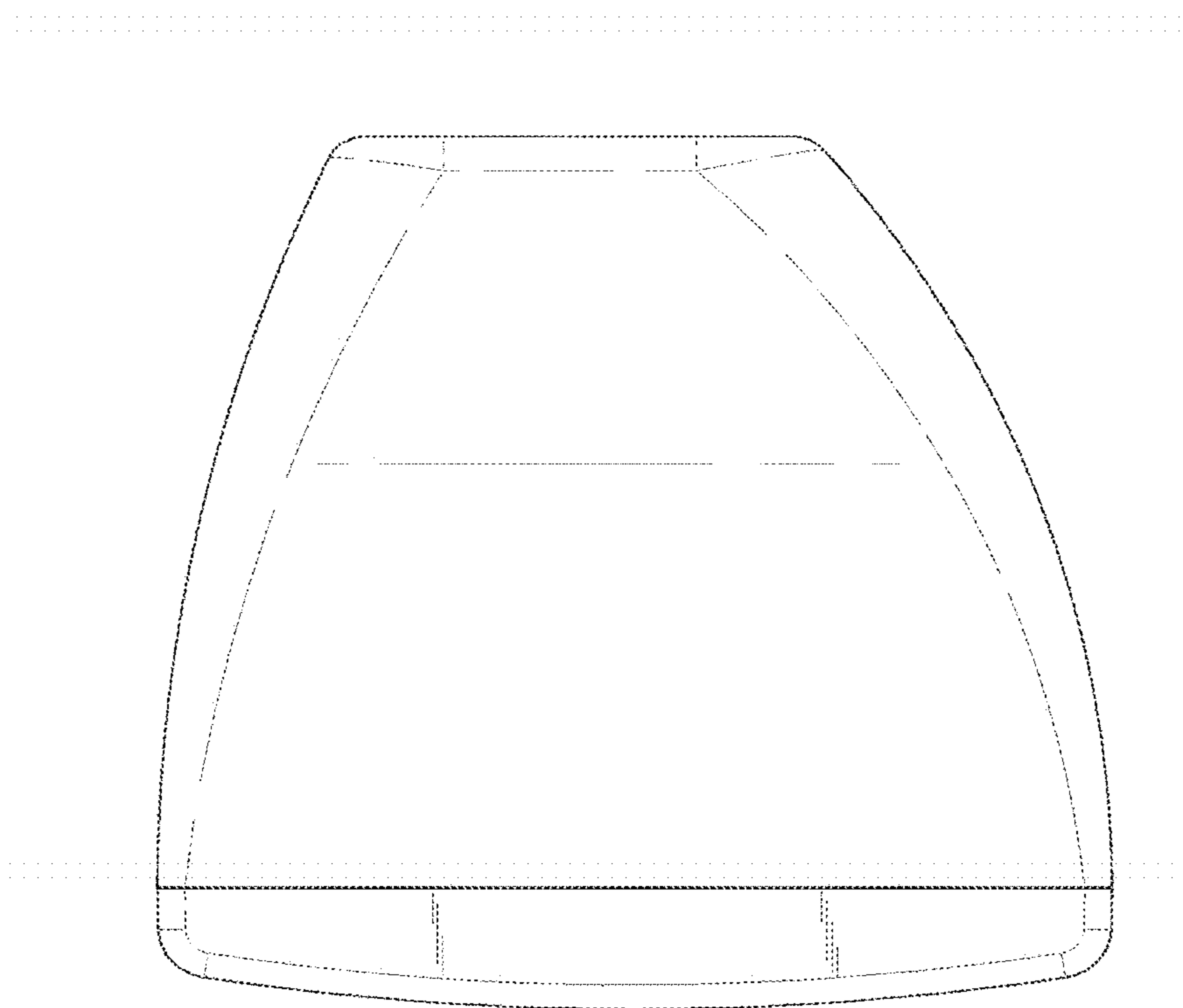


Fig. 13

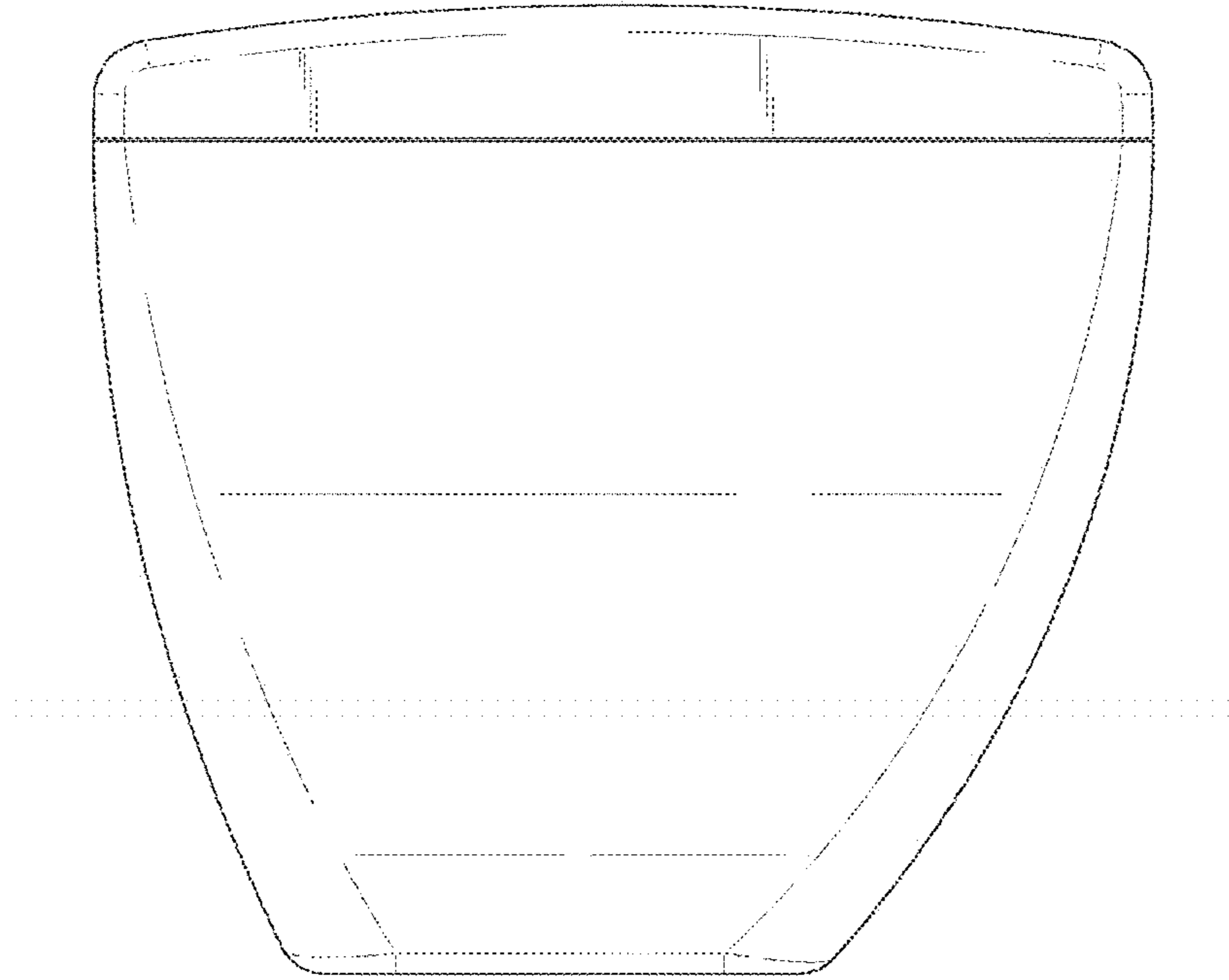


Fig. 14



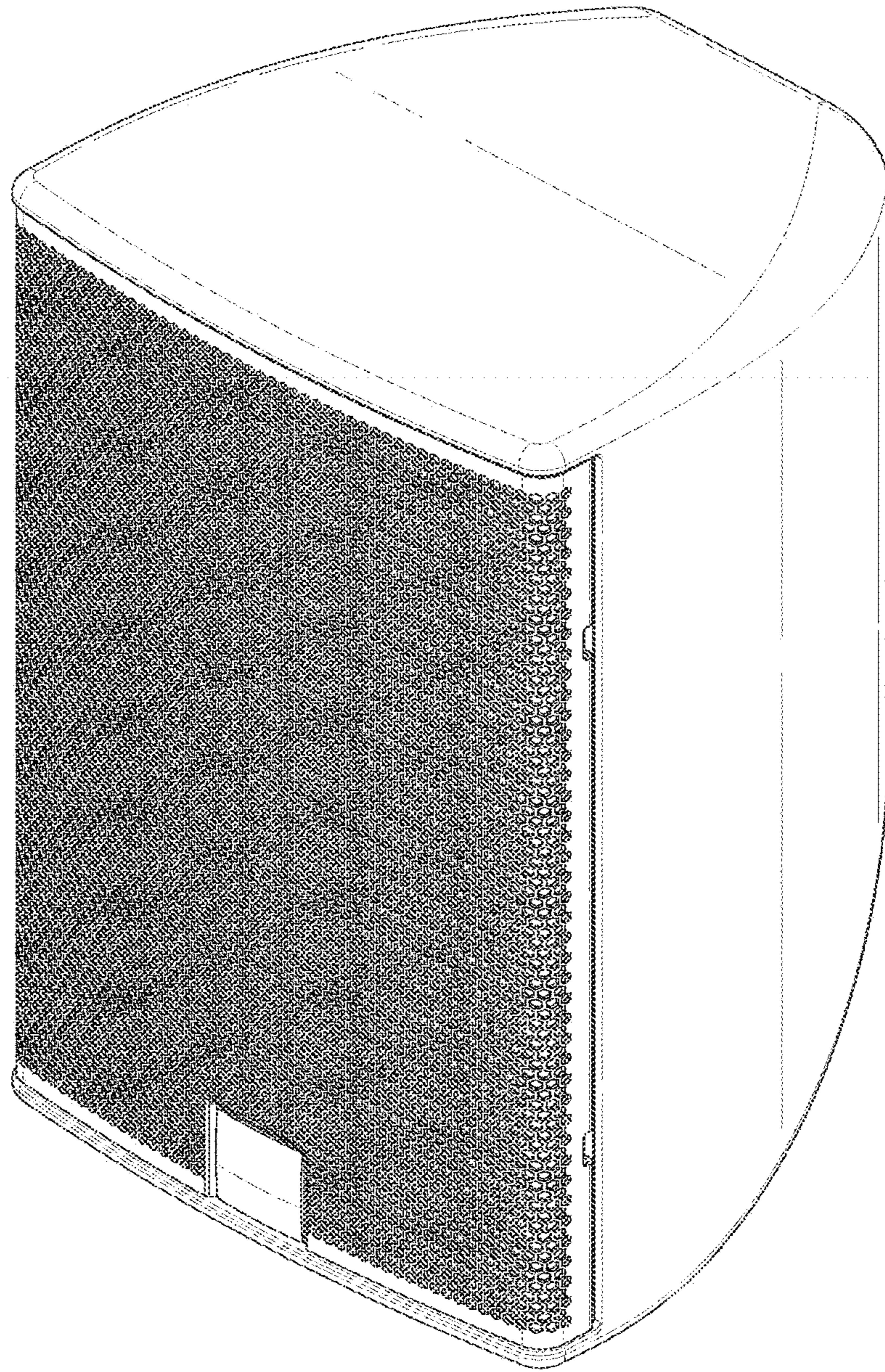


Fig. 15

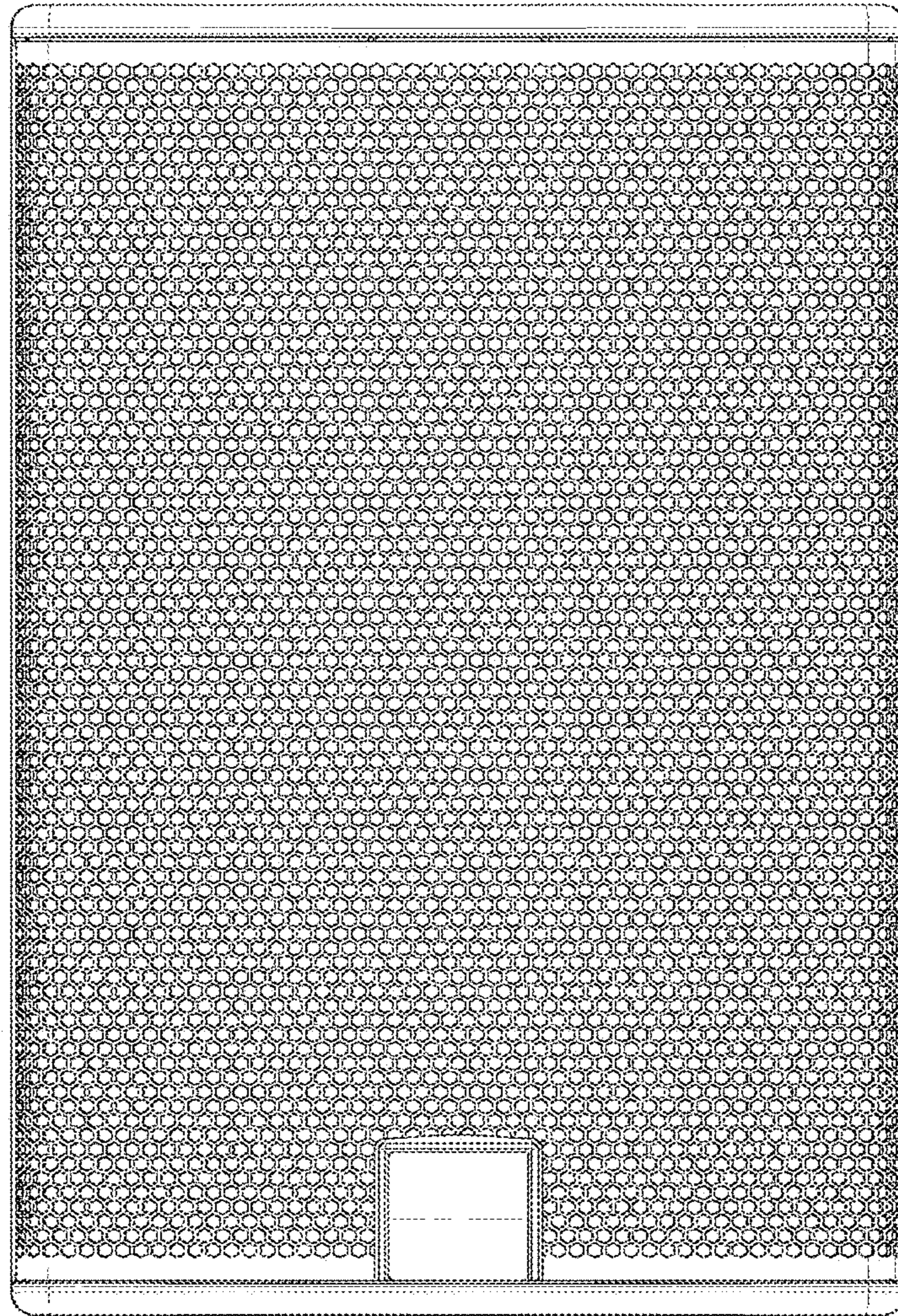


Fig. 16

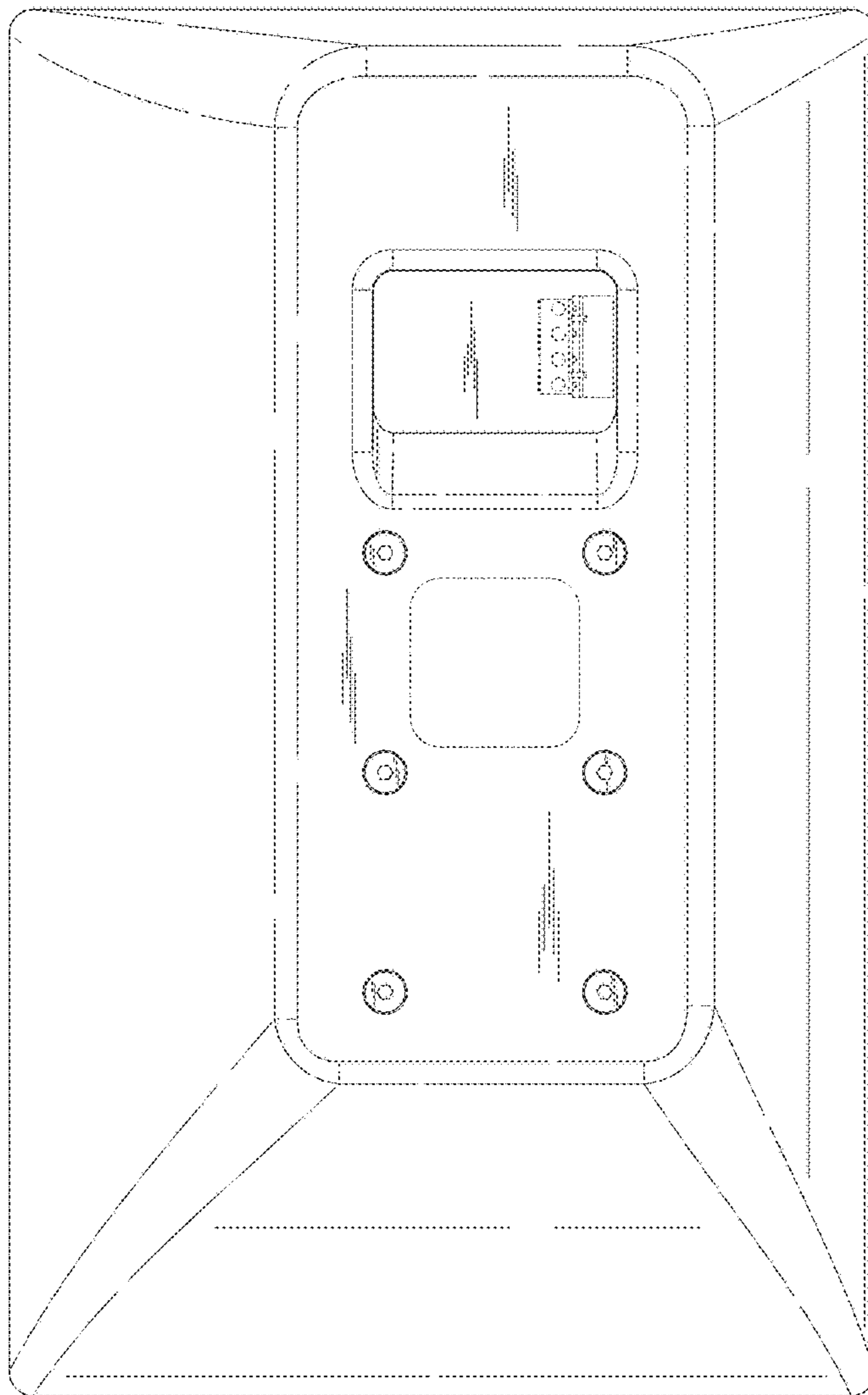


Fig. 17

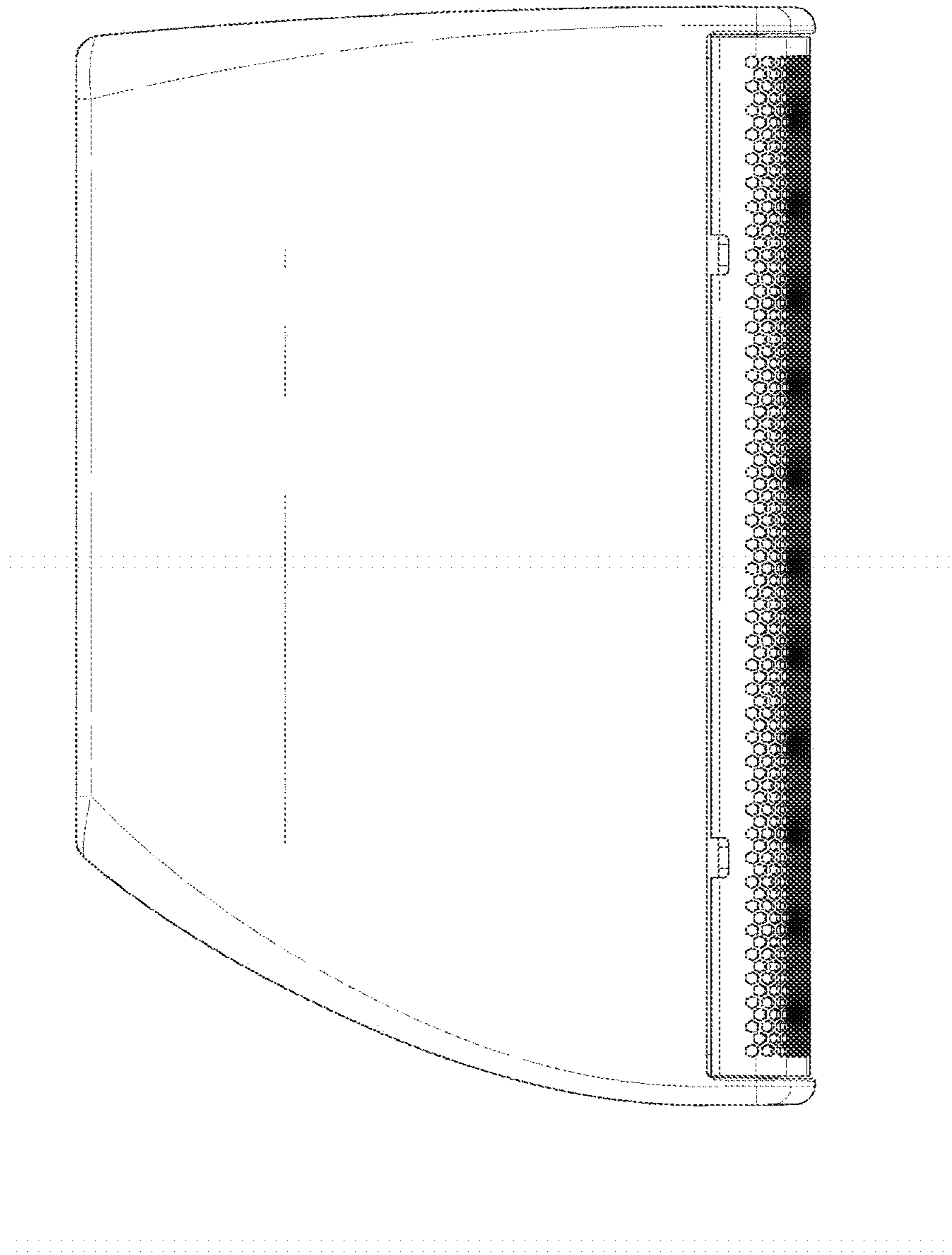


Fig. 18

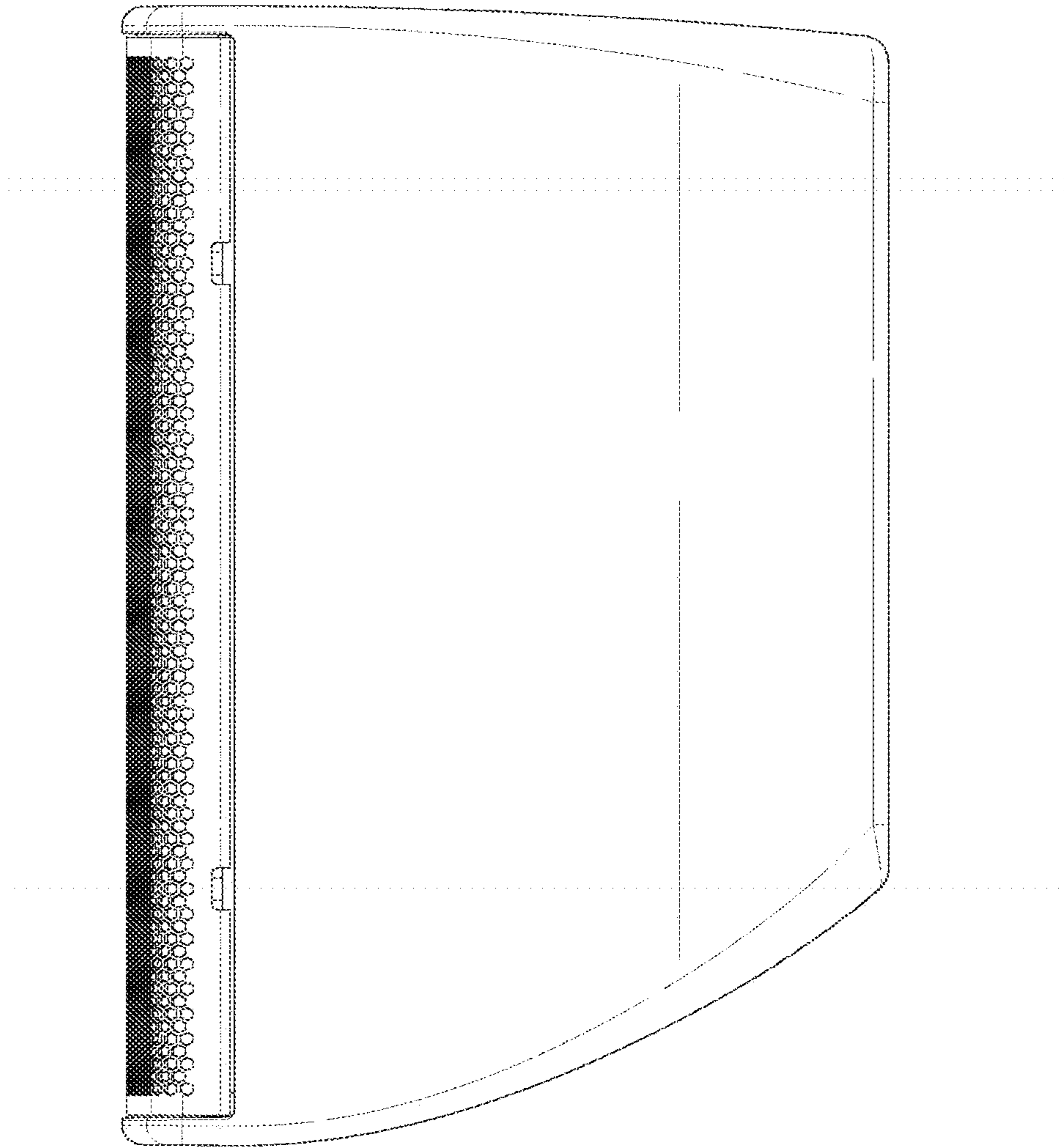


Fig. 19

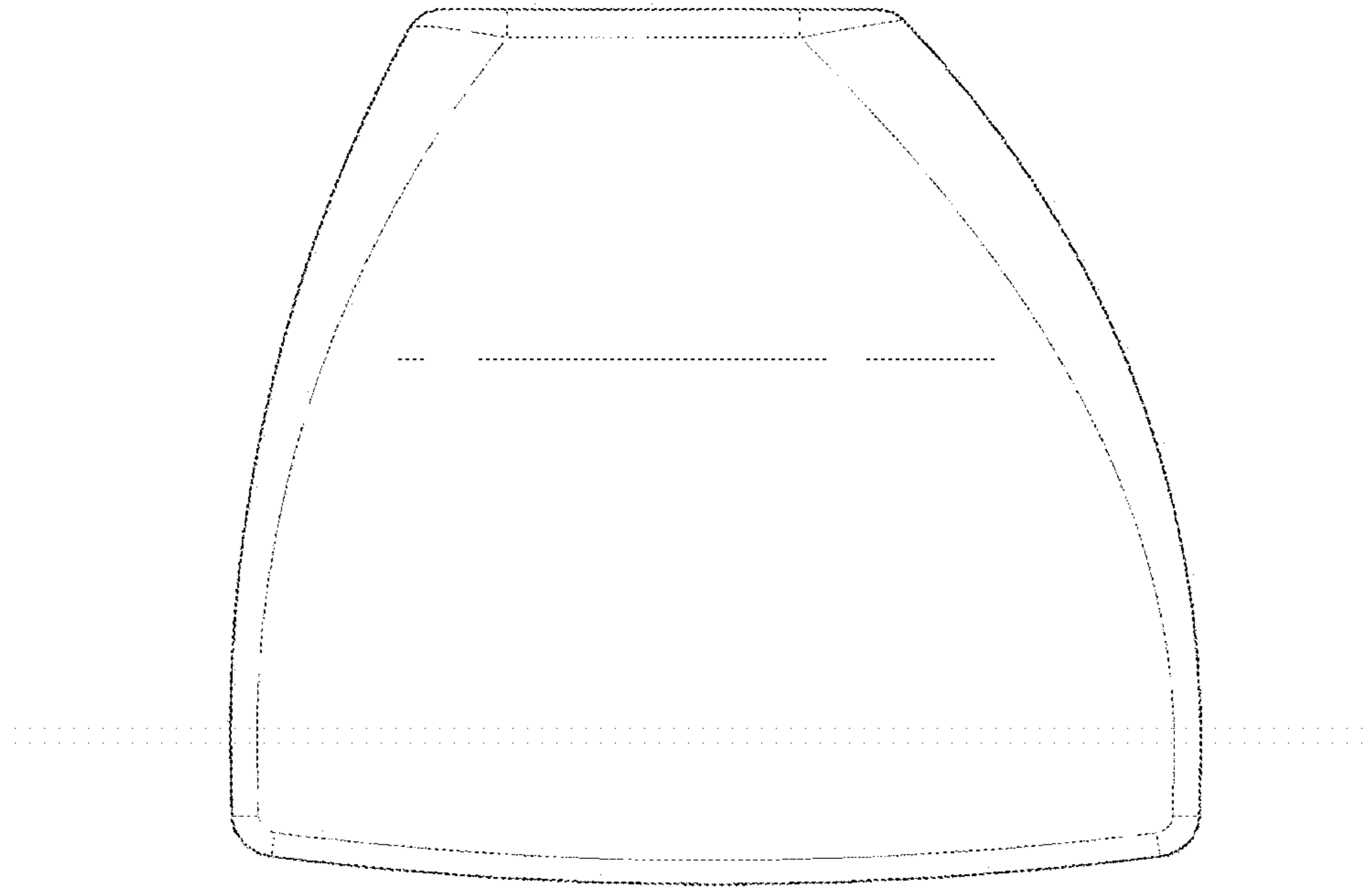


Fig. 20

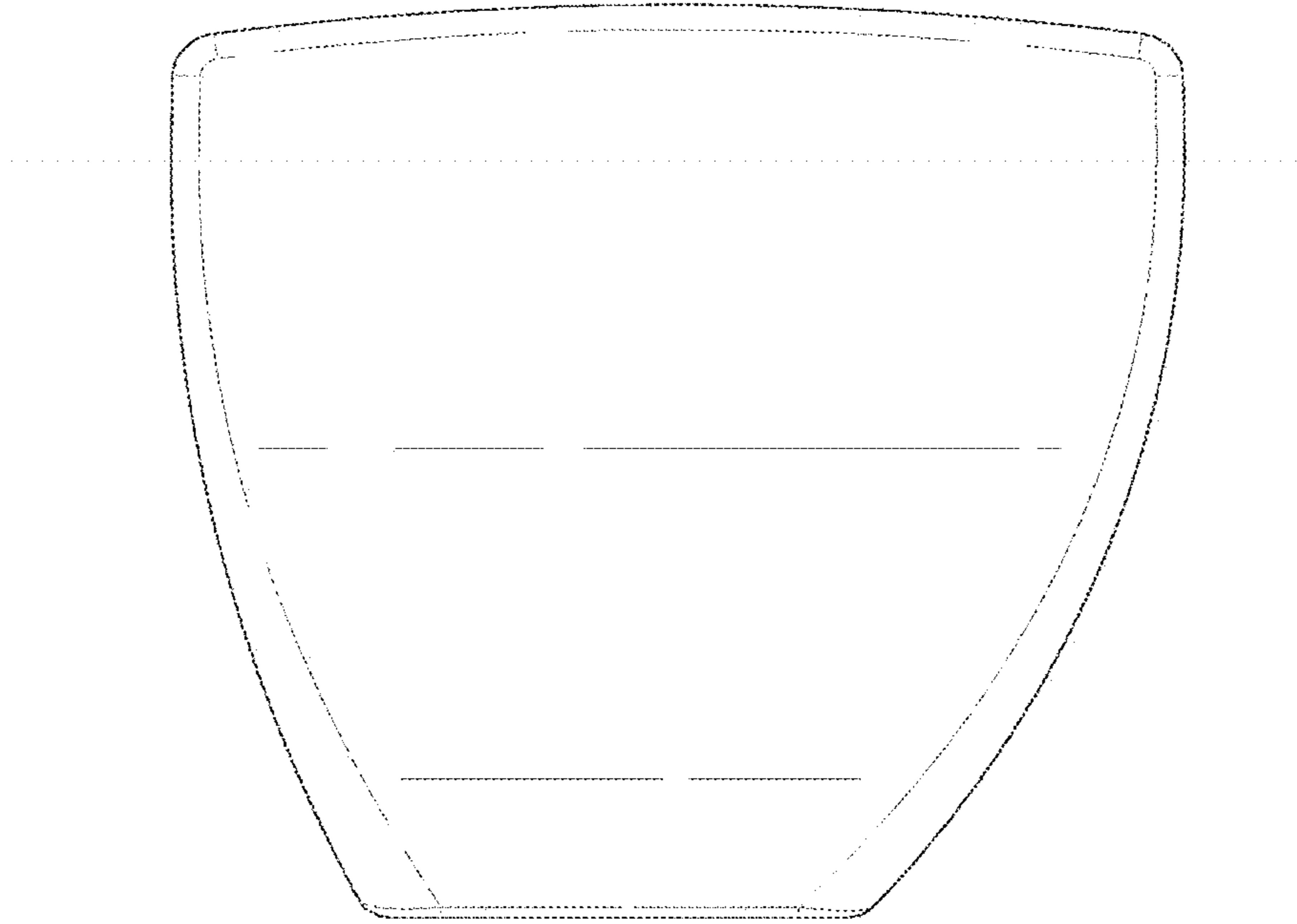


Fig. 21