



US00D776085S

(12) **United States Design Patent**
Tabarly

(10) **Patent No.:** **US D776,085 S**
(45) **Date of Patent:** **** Jan. 10, 2017**

- (54) **TABLE-SHAPED SPEAKER**
- (71) Applicant: **5V**, Fontenay Sous Bois (FR)
- (72) Inventor: **Sacha Tabarly**, Le Raincy (FR)
- (73) Assignee: **5V**, Fontenay Sous Bois (FR)
- (**) Term: **15 Years**
- (21) Appl. No.: **29/530,097**
- (22) Filed: **Jun. 12, 2015**

(30) **Foreign Application Priority Data**

Dec. 12, 2014 (FR) 145771

(51) **LOC (10) Cl.** **14-02**

(52) **U.S. Cl.**
USPC **D14/207**; D14/211

(58) **Field of Classification Search**
USPC ... D14/211, 214, 216, 209.1, 217, 496, 207;
D13/107, 108; D6/691.8, 349, 675;
108/157.16; 181/144-147, 153, 151, 155,
181/199; 381/350, 349, 388, 386
CPC H04R 1/403; H04R 1/24; H04R 1/26;
H04R 7/00; H04R 5/00; H04R
5/02; H04R 1/02; A47B 3/12; A47B 3/06
See application file for complete search history.

(56) **References Cited**

U.S. PATENT DOCUMENTS

- 325,695 A * 9/1885 Rimi B23D 3/02
409/307
- 795,957 A * 8/1905 Cartland A47B 88/0044
108/157.16
- 974,018 A * 10/1910 Binckley A47B 23/046
108/146
- 1,532,811 A * 4/1925 Graham H04R 1/30
181/199

- 1,804,306 A * 5/1931 Bender H04R 1/2819
181/188
- 1,830,812 A * 11/1931 Schloss H04R 1/2803
181/155
- D132,875 S * 6/1942 Cooper D6/686
- 2,564,338 A * 8/1951 McCarroll A47B 85/04
108/11
- 2,993,557 A * 7/1961 Miller H04R 5/02
181/147
- 3,080,013 A * 3/1963 Bateman, Jr. H04R 1/288
181/155
- 3,082,839 A * 3/1963 Whitcas H04R 1/2819
181/151
- 3,150,739 A * 9/1964 Dones H04R 1/2834
181/147
- 3,194,952 A * 7/1965 Wells F21S 8/088
181/141
- 3,227,112 A * 1/1966 Wiseman A47B 85/04
108/11

(Continued)

Primary Examiner — Paula Greene

(74) *Attorney, Agent, or Firm* — Young & Thompson

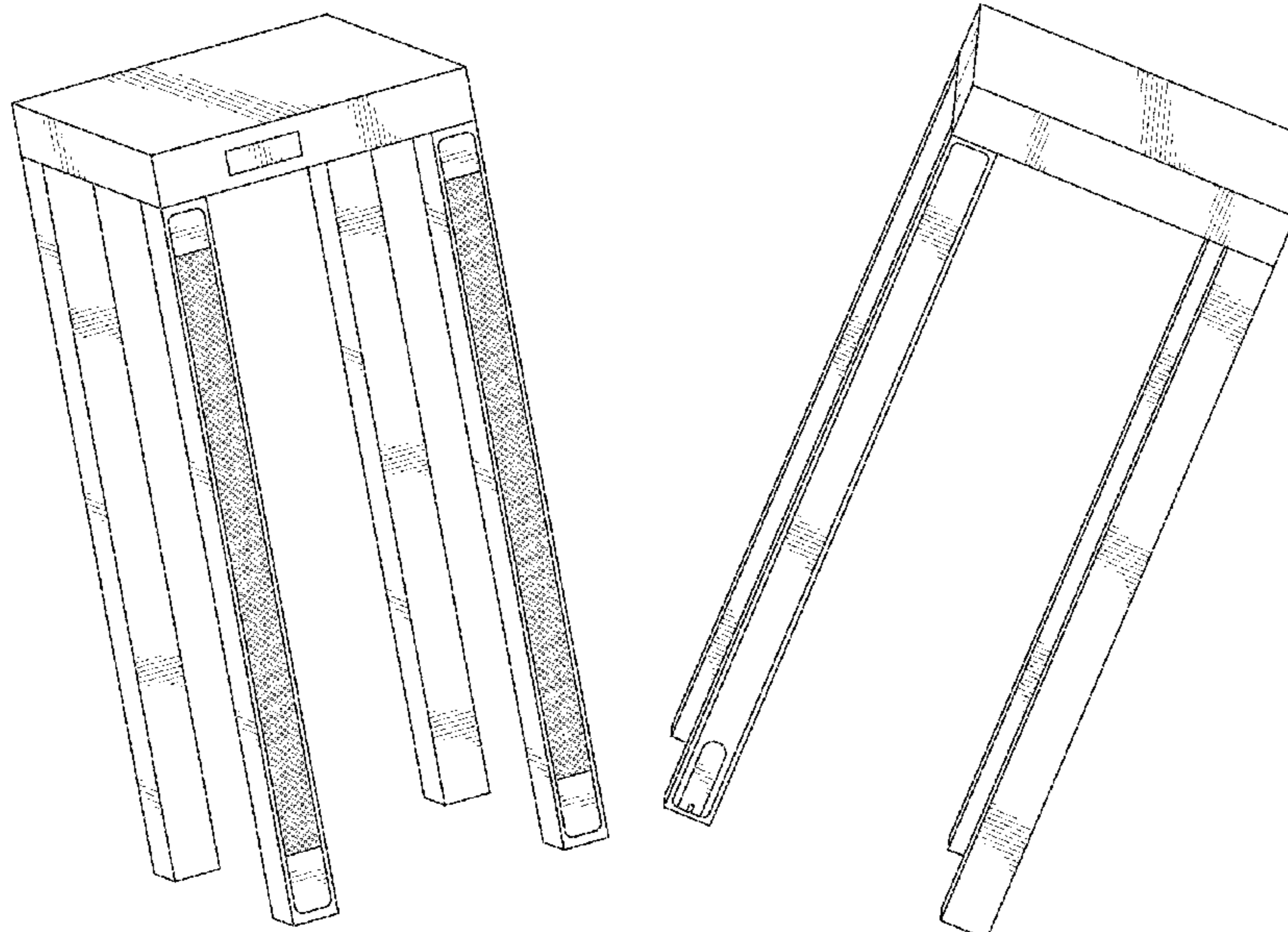
(57) **CLAIM**

The ornamental design for a table-shaped speaker, as shown and described.

DESCRIPTION

FIG. 1 is a front, right side, and top perspective view of a table-shaped speaker, showing the new design;
FIG. 2 is a rear, left side, and top perspective view thereof;
FIG. 3 is a bottom, front, and left side perspective view thereof;
FIG. 4 is a rear elevation view thereof;
FIG. 5 is a front side elevation view thereof;
FIG. 6 is a left side elevation view thereof;
FIG. 7 is a right side elevation view thereof; and,
FIG. 8 is a bottom plan view thereof.

1 Claim, 8 Drawing Sheets



(56)

References Cited

U.S. PATENT DOCUMENTS

3,326,321 A * 6/1967 Valuch H04R 1/345
 181/144
 3,394,773 A * 7/1968 Kowalik H04R 1/2803
 181/145
 D214,741 S * 7/1969 Dean D6/691.8
 3,500,953 A * 3/1970 Lahti H04R 1/26
 181/151
 3,512,606 A * 5/1970 Anastin H04R 1/26
 181/144
 3,523,589 A * 8/1970 Virva H04R 1/2857
 181/151
 D243,983 S * 4/1977 Carter D6/691.8
 4,336,861 A * 6/1982 Peter H04R 1/26
 181/144
 D278,584 S * 4/1985 Bromley D6/691.8
 D290,953 S * 7/1987 Sklaar D14/211
 D298,095 S * 10/1988 Kelley D6/691.8
 4,940,108 A * 7/1990 Selby H04R 1/26
 181/145
 5,137,110 A * 8/1992 Bedard, Jr. H04R 1/34
 181/153
 D334,312 S * 3/1993 Glass D6/691.8
 5,943,968 A * 8/1999 Dobson A47B 3/12
 108/124
 D425,335 S * 5/2000 Newhouse D6/691.8
 D484,717 S * 1/2004 de Blois D6/691
 D513,909 S * 1/2006 Bibi D6/691.1
 D618,935 S * 7/2010 Metcalf D6/349
 D649,381 S * 11/2011 Mainzer D6/691.8
 8,275,159 B2 * 9/2012 Lee H04R 1/025
 381/300
 D681,007 S * 4/2013 Ryu D14/211
 2009/0196450 A1 * 8/2009 Hughes H04R 1/2819
 381/334

* cited by examiner

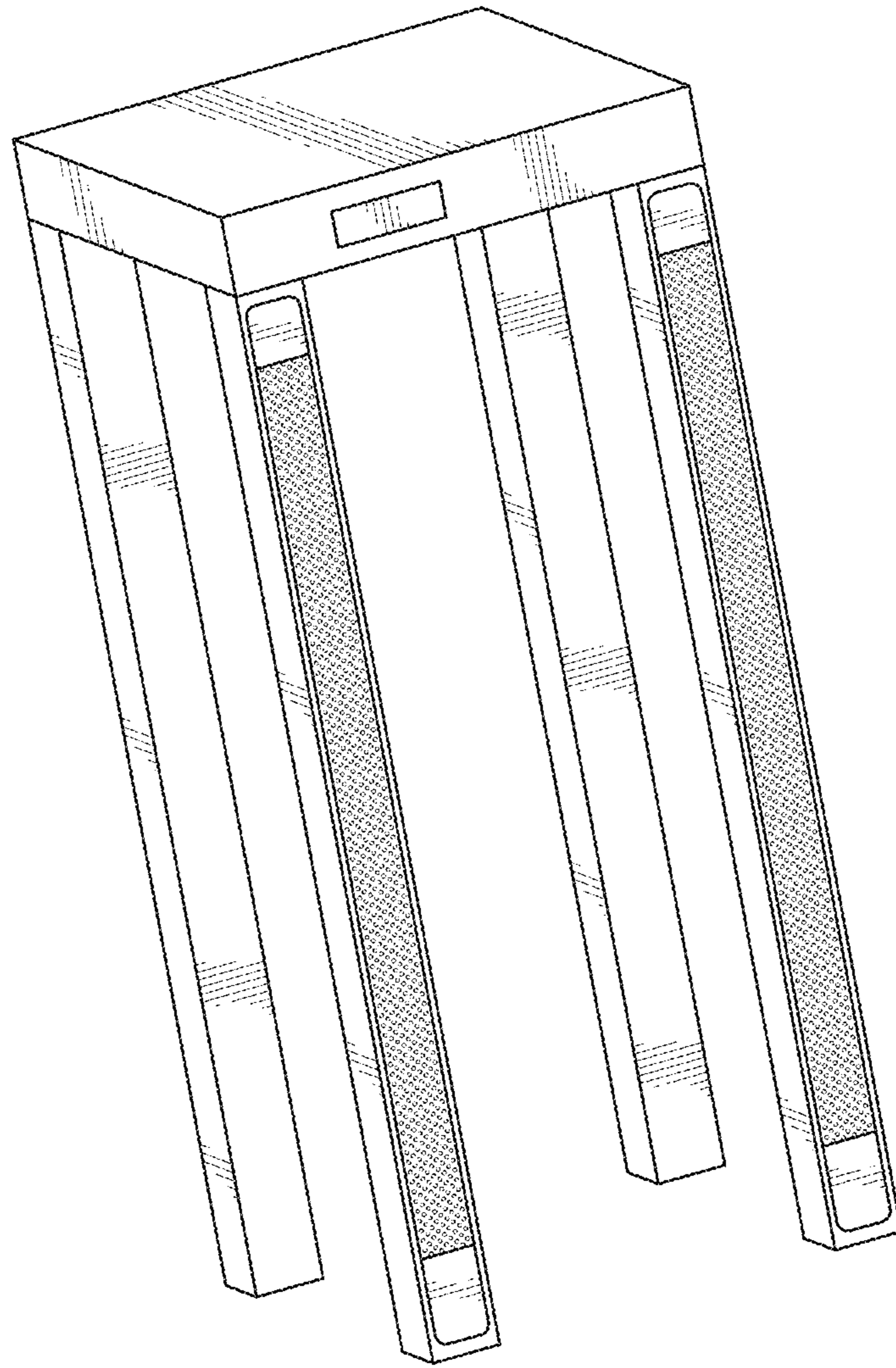


FIG. 1

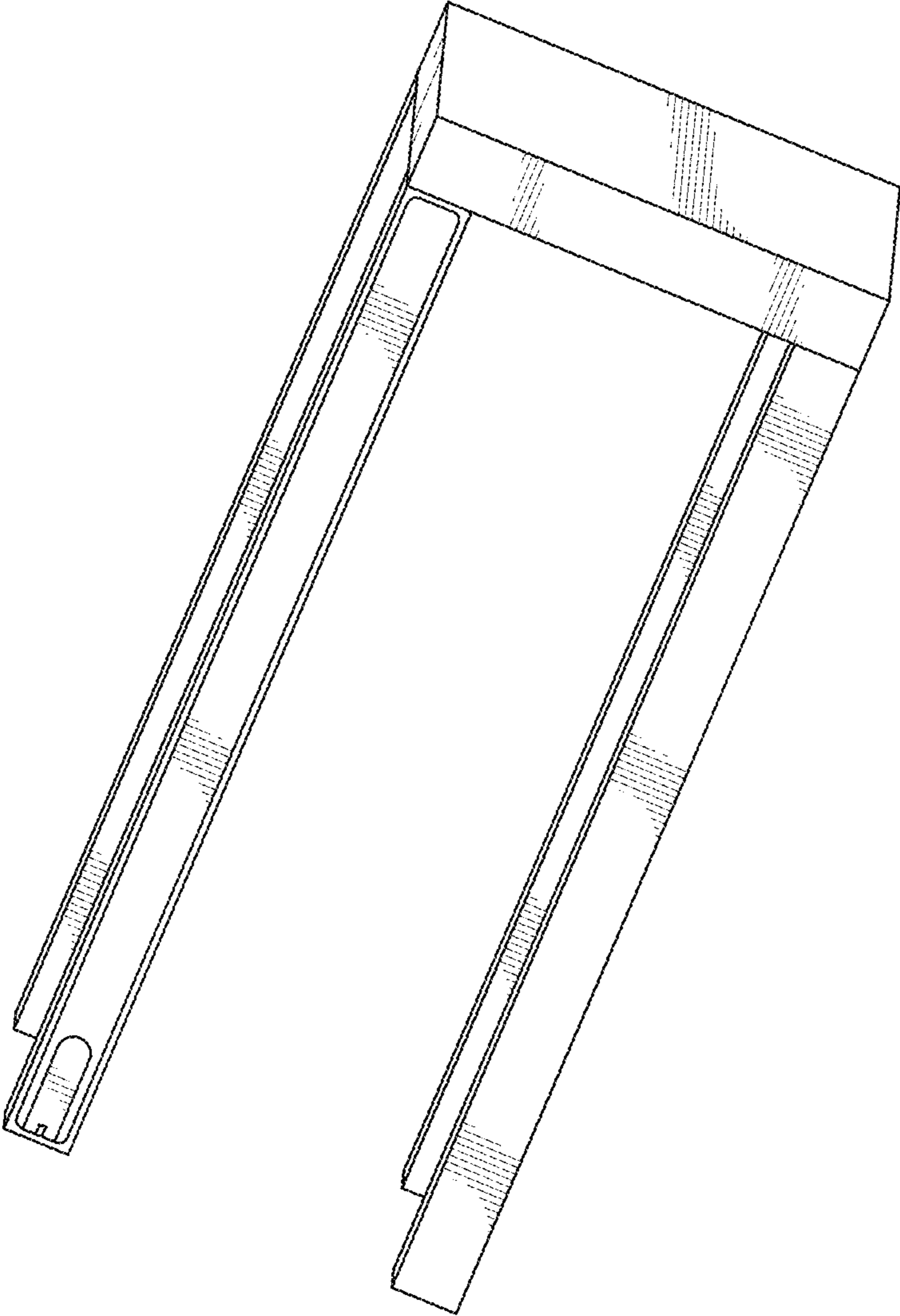


FIG.2

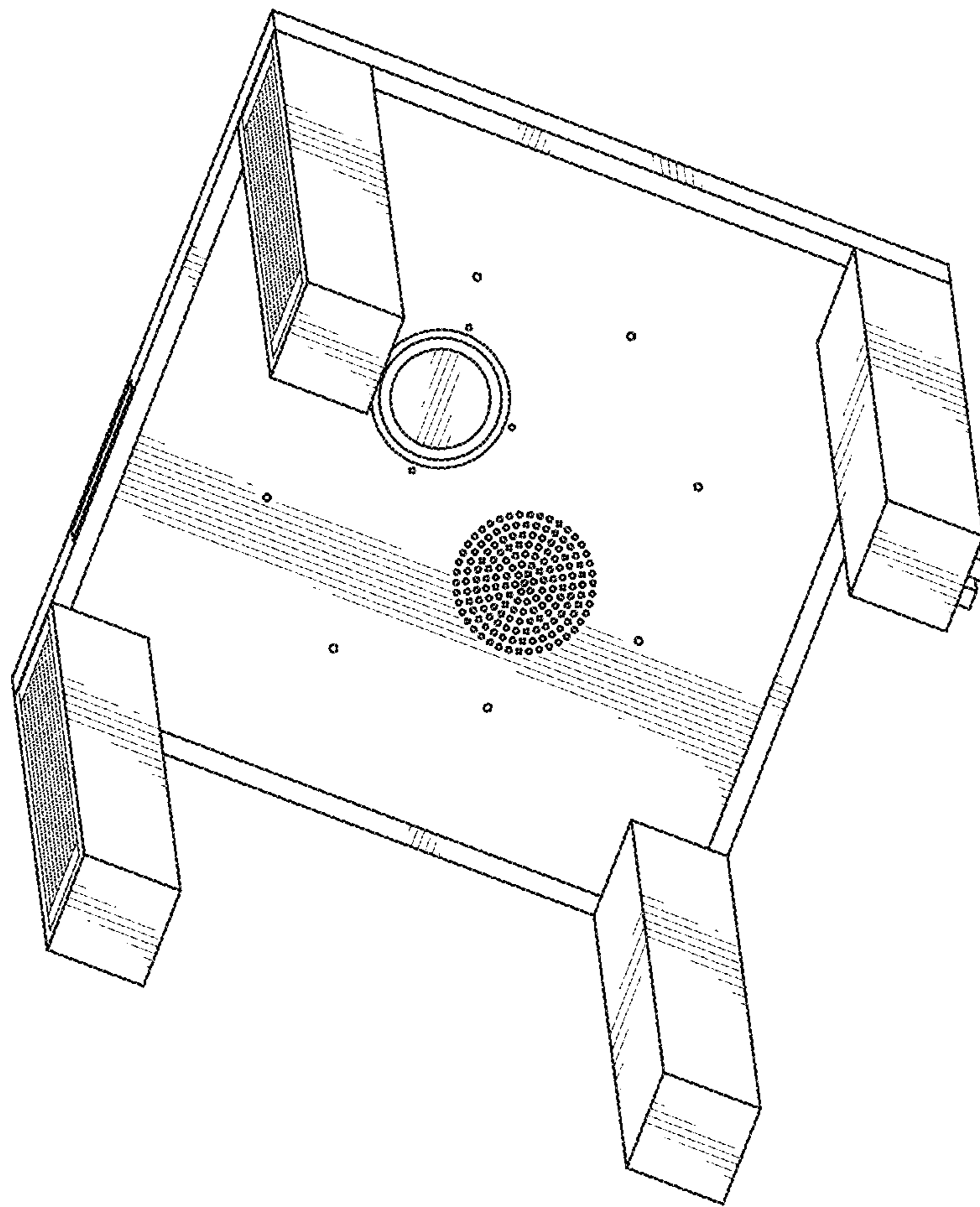


FIG.3

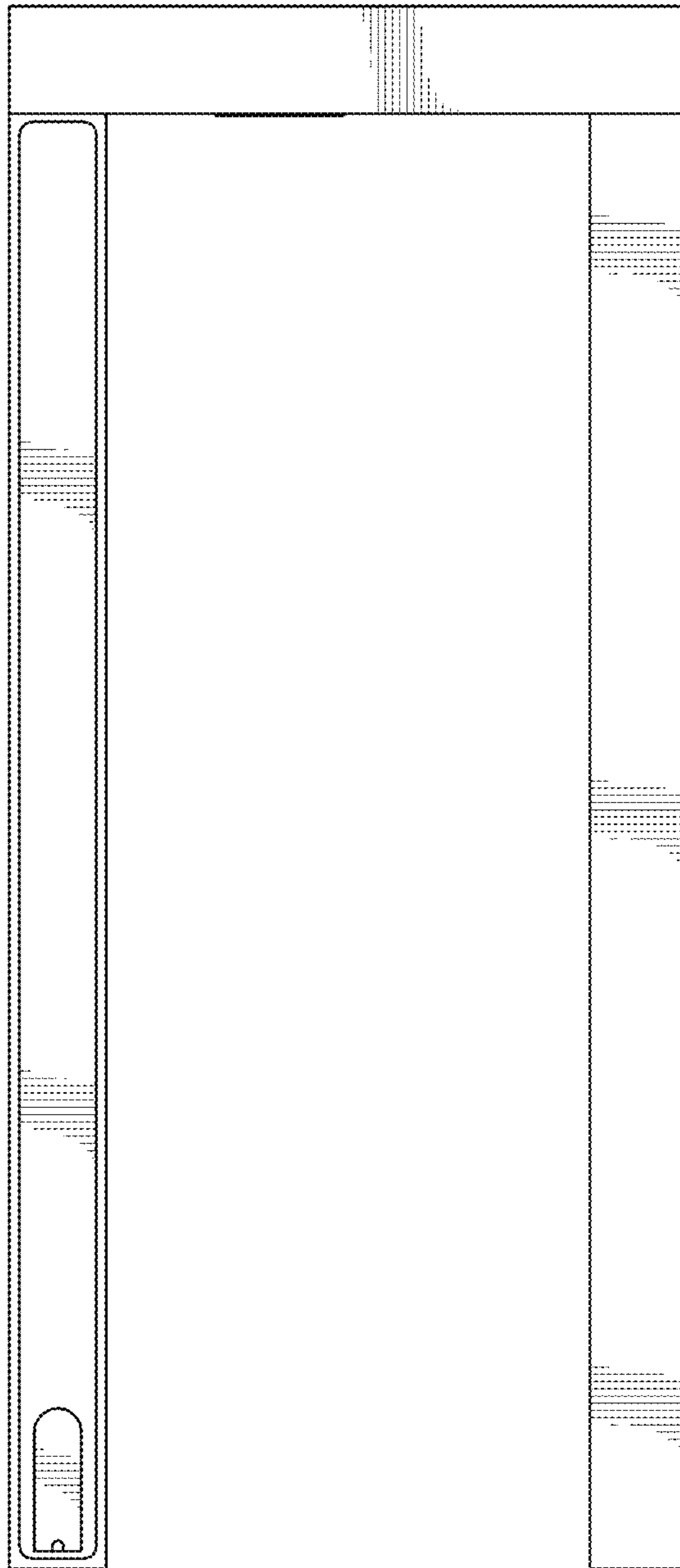


FIG.4

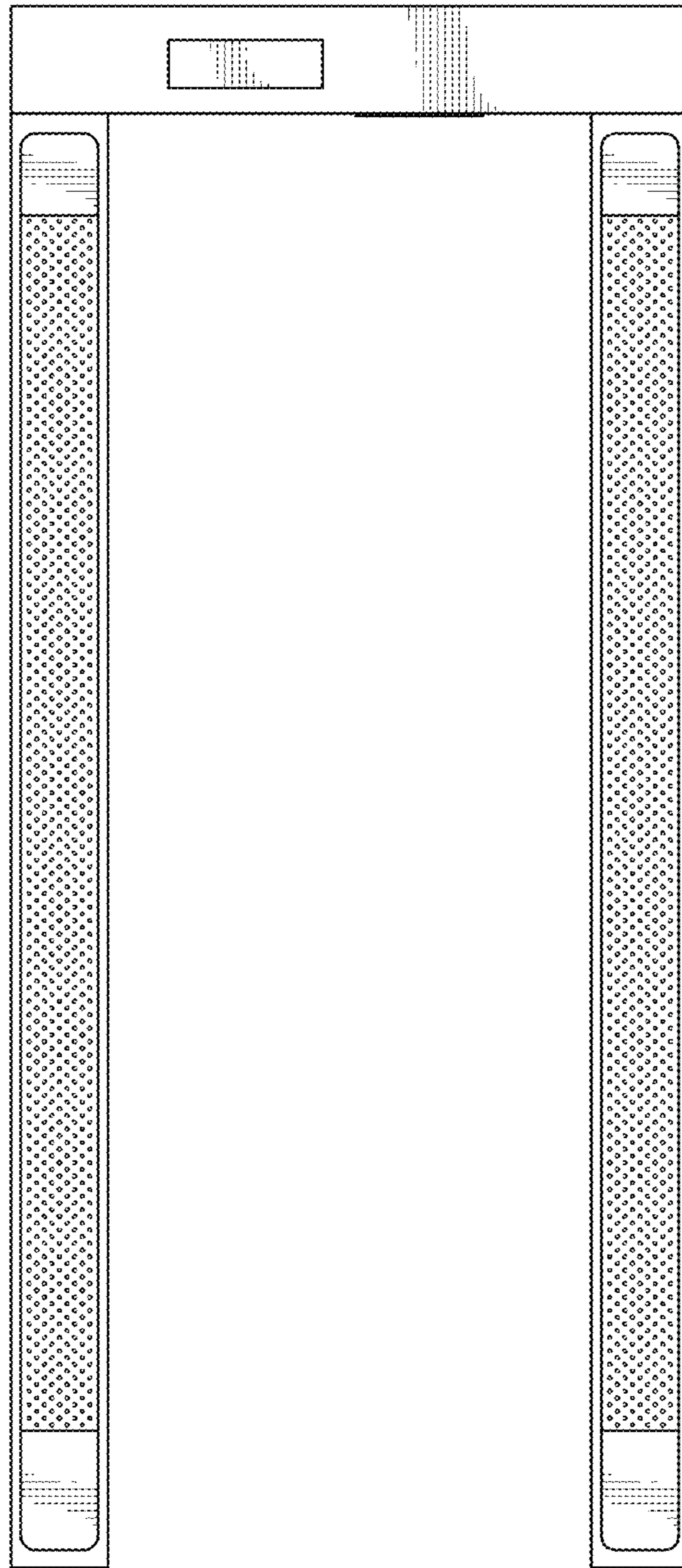


FIG.5

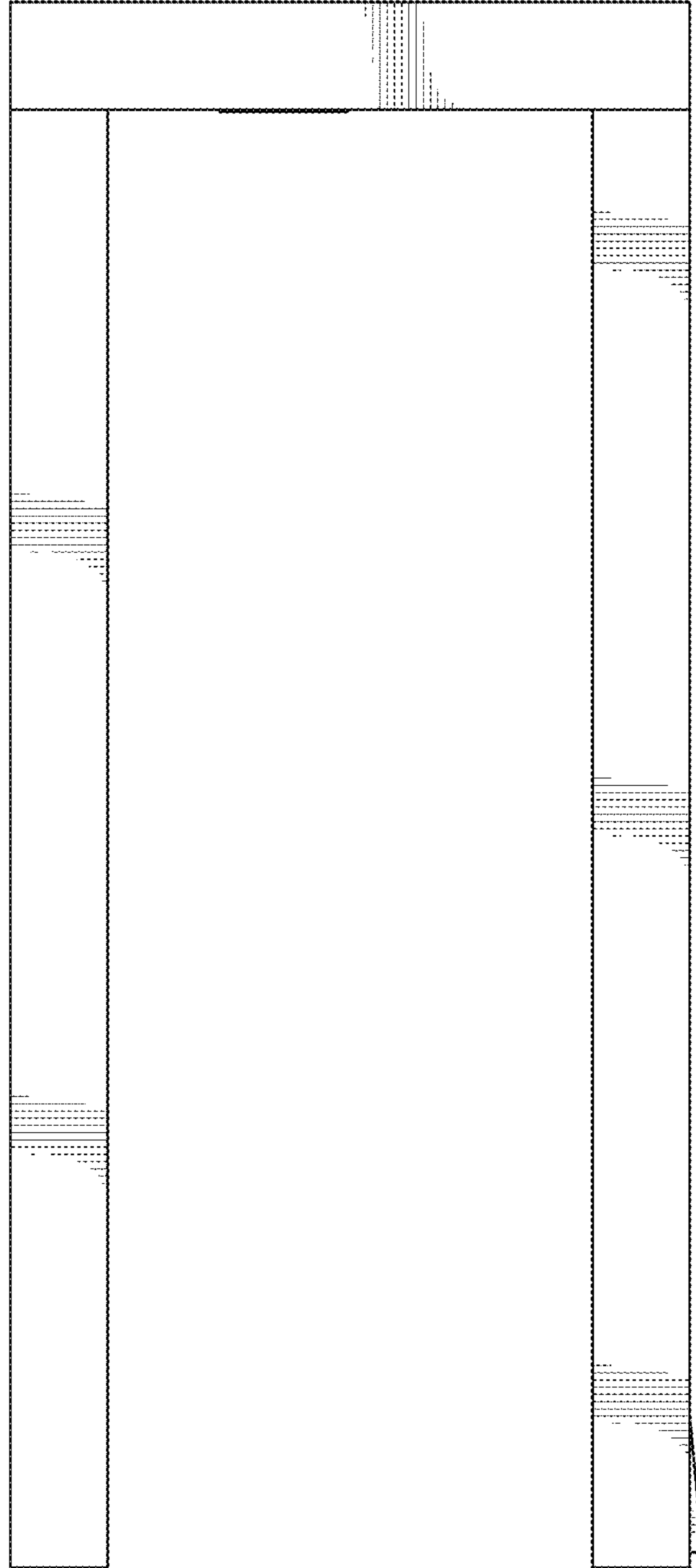


FIG.6

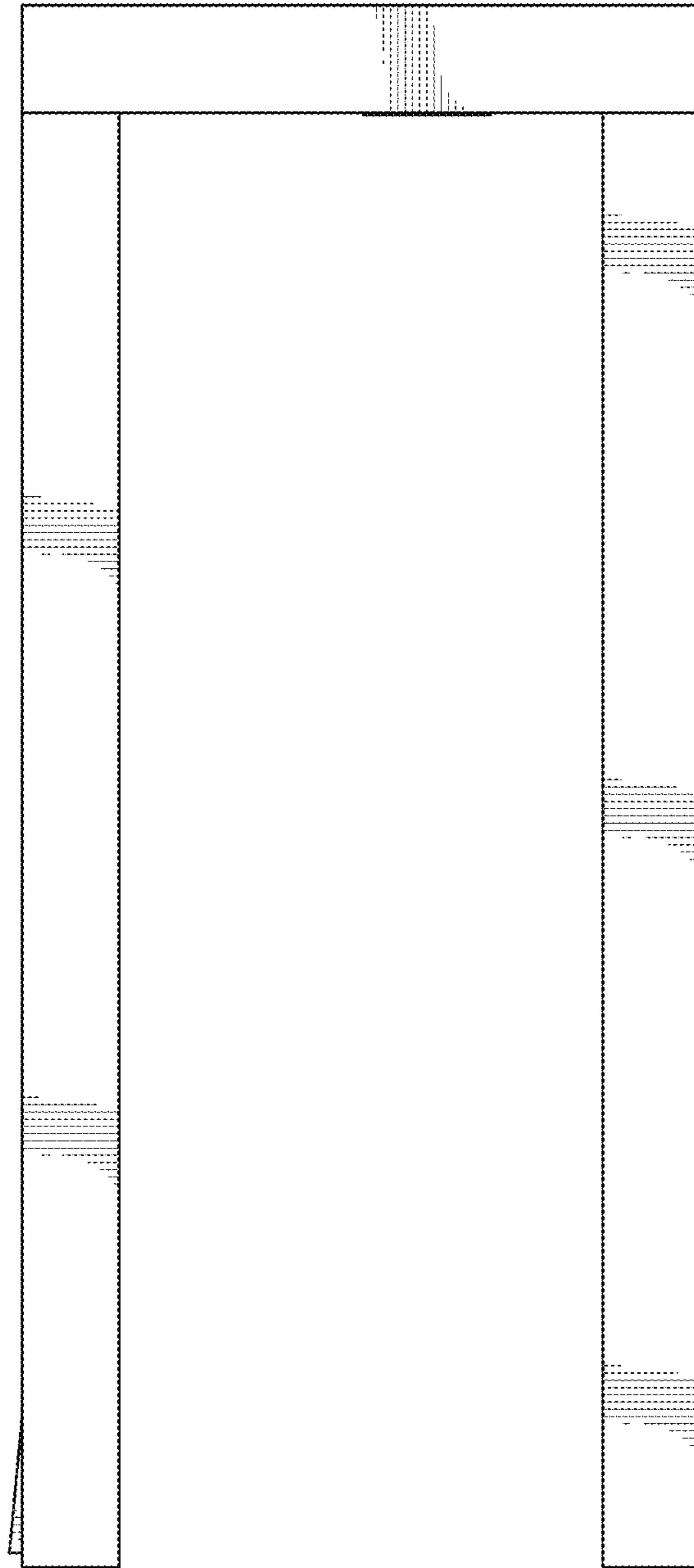


FIG. 7

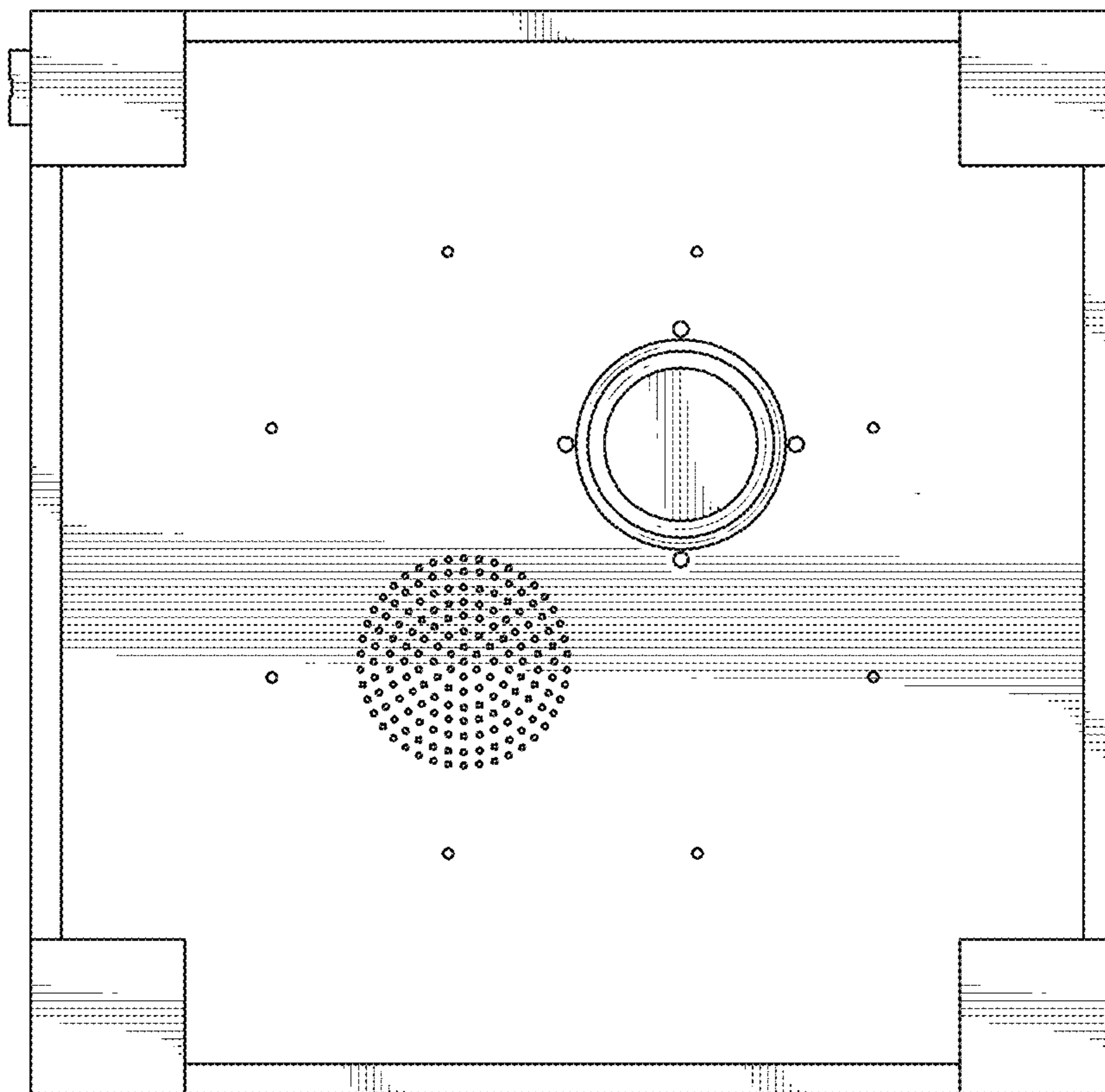


FIG.8