



US00D776084S

(12) **United States Design Patent** (10) **Patent No.:** **US D776,084 S**
Clark et al. (45) **Date of Patent:** **** Jan. 10, 2017**

(54) **SPEAKER SYSTEM**
(71) Applicant: **Audio Icons, LLC**, Athens, GA (US)
(72) Inventors: **Kevin Clark**, Athens, GA (US); **Ted Mayer**, Athens, GA (US)
(73) Assignee: **Audio Icons, LLC**, Athens, GA (US)
(**) Term: **15 Years**
(21) Appl. No.: **29/529,772**
(22) Filed: **Jun. 10, 2015**
(51) **LOC (10) Cl.** **14-02**
(52) **U.S. Cl.**
USPC **D14/207**
(58) **Field of Classification Search**
USPC D14/204, 207, 210–216, 172, 209.1,
D14/203.2, 189; 181/143, 144, 147, 148,
181/150–153, 157, 198, 199;
381/300–303, 306, 332, 333, 336, 345,
381/361–364, 386–388; D11/160, 162,
D11/606–609, 832; 455/344–347;
369/6–12; D9/683.5, 738, 763; D7/300,
D7/601–606
CPC H04R 1/00; H04R 1/02; H04R 2400/00;
H05K 5/00
See application file for complete search history.

5,465,421 A * 11/1995 McCormick A42B 3/30
2/422
D420,002 S * 2/2000 Arcos D14/189
6,118,876 A 9/2000 Ruzicka
D465,067 S 10/2002 Ide et al.
D511,026 S 10/2005 Ide et al.
6,970,691 B2 11/2005 Thompson
D528,705 S 9/2006 Ide et al.
D573,132 S * 7/2008 Yang D14/207
D586,779 S * 2/2009 Lotman D14/207
D603,099 S 10/2009 Bologna et al.
D603,100 S 10/2009 Bologna
7,862,194 B2 1/2011 Seade
(Continued)

FOREIGN PATENT DOCUMENTS

GB 127458 3/1955

OTHER PUBLICATIONS

Helmet & Speaker Set Item: 7214000XX; Schutt Sports;
schuttsports.com; 2007.

Primary Examiner — Prabhakar Deshmukh
(74) *Attorney, Agent, or Firm* — The Webb Law Firm

(57) **CLAIM**

The ornamental design for a speaker system, as shown and described.

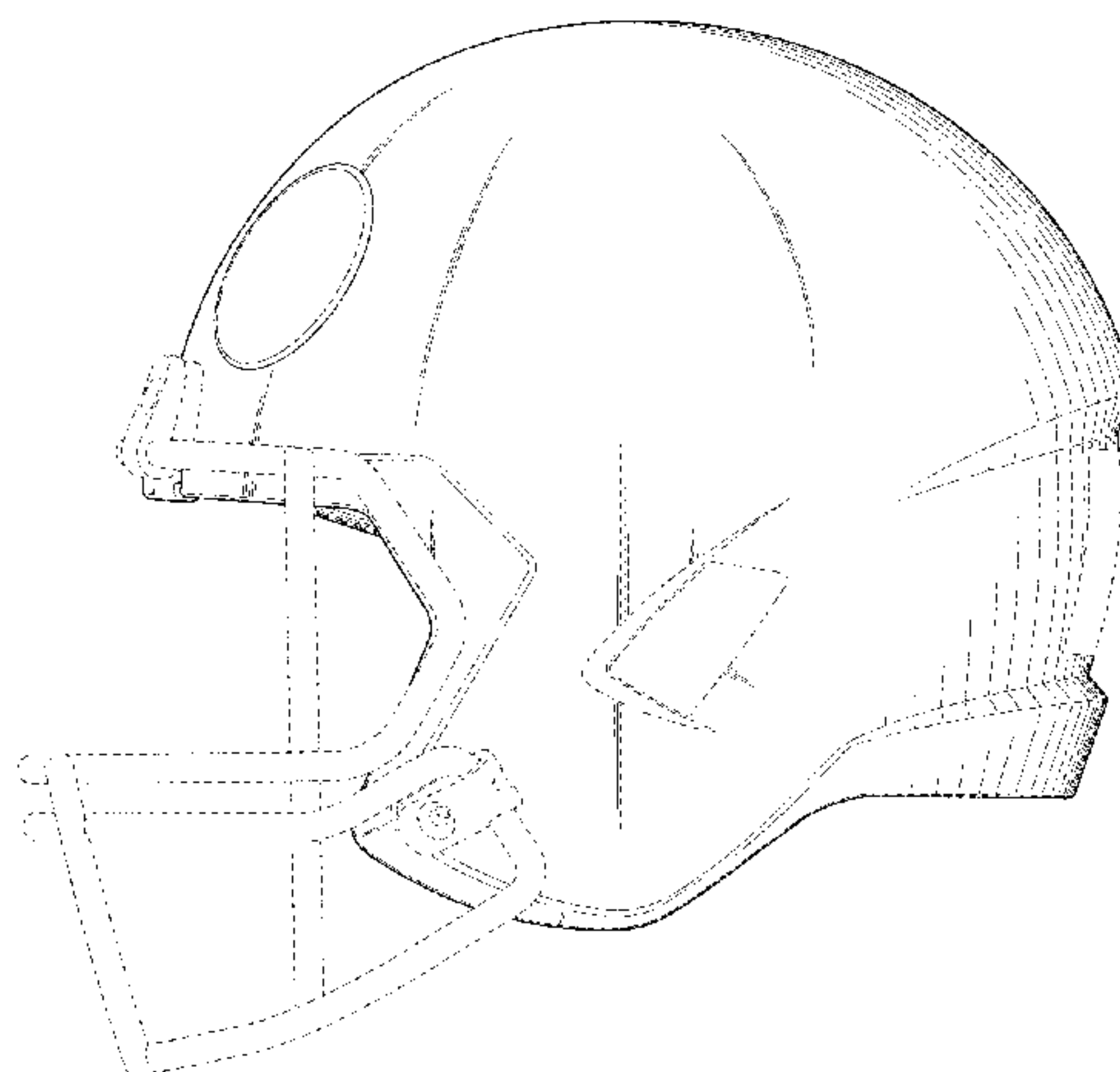
DESCRIPTION

FIG. 1 is a right side view of a speaker system in accordance with the present design, wherein the left side view is a mirror image of the right side view;
FIG. 2 is a front view thereof;
FIG. 3 is rear view thereof;
FIG. 4 is a top view thereof;
FIG. 5 is a bottom view thereof; and,
FIG. 6 is a perspective view thereof.
The broken lines illustrate unclaimed portions and environment. The broken lines immediately adjacent to the shaded areas represent the boundaries of the claimed design. None

(Continued)

(56) **References Cited**
U.S. PATENT DOCUMENTS

2,904,645 A 9/1959 Sarles
4,179,585 A 12/1979 Herrenschmidt
4,471,174 A * 9/1984 Nava A42B 3/30
2/422
4,607,395 A * 8/1986 Sundahl A42B 3/30
338/163
4,979,586 A * 12/1990 Lazzeroni A42B 3/166
181/129
5,136,657 A * 8/1992 Hattori A42B 3/127
2/421
5,142,700 A 8/1992 Reed



of the broken lines forms part of the claimed design. The dash-dotted lines also illustrate boundaries of the claimed design.

1 Claim, 6 Drawing Sheets

(56) **References Cited**

U.S. PATENT DOCUMENTS

8,014,556	B2	9/2011	Goldberg	
8,107,664	B2	1/2012	Mao	
D676,828	S *	2/2013	Clark	D14/207
D681,280	S	4/2013	Bologna et al.	
D681,281	S	4/2013	Bologna et al.	
8,491,146	B2	7/2013	Seade	
D730,316	S *	5/2015	Burchfield	D14/207
2008/0295224	A1	12/2008	Mintzer	
2012/0300962	A1	11/2012	Devoto	
2013/0177198	A1	7/2013	Hogue et al.	

* cited by examiner

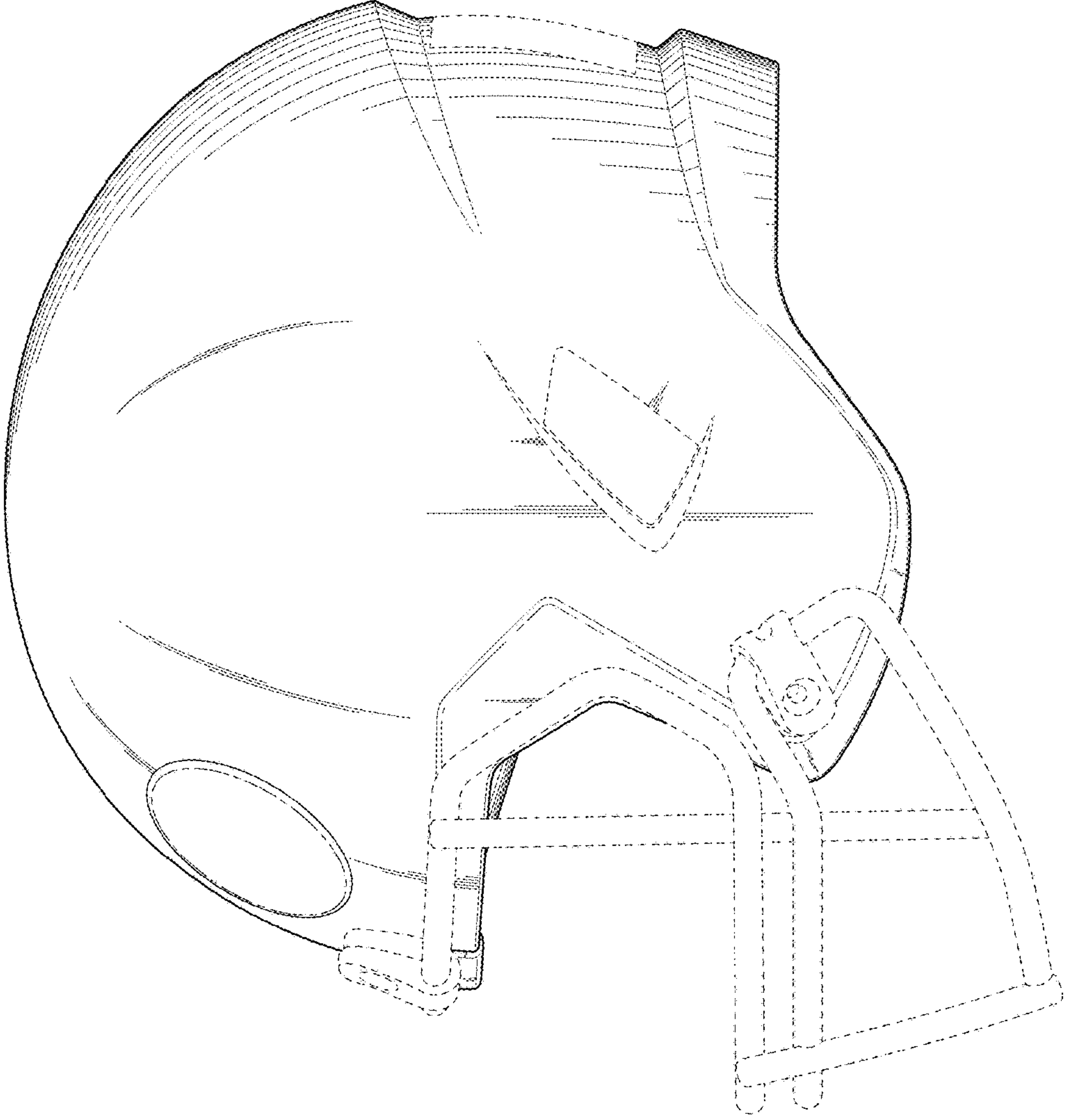


FIG. 1

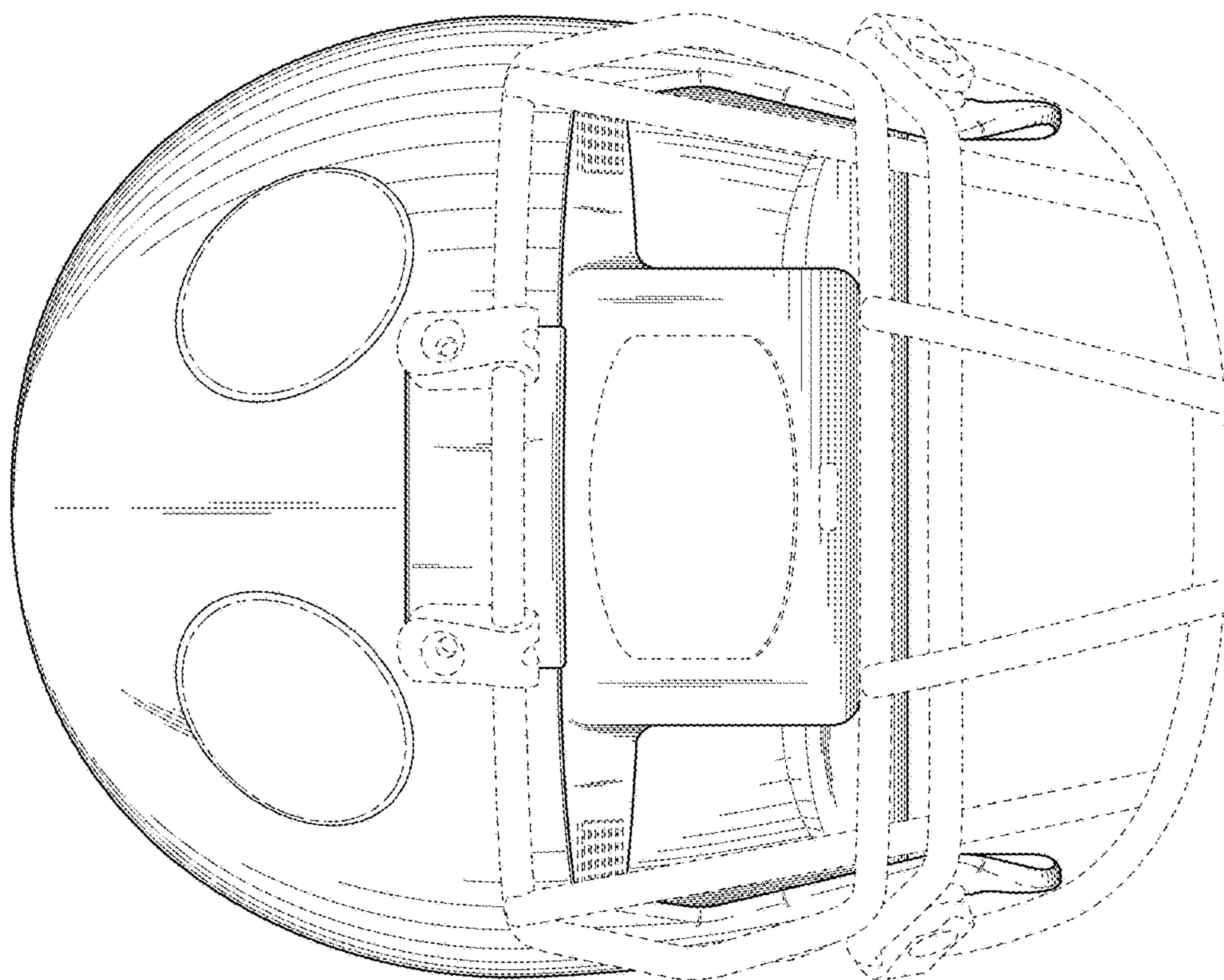


FIG. 2

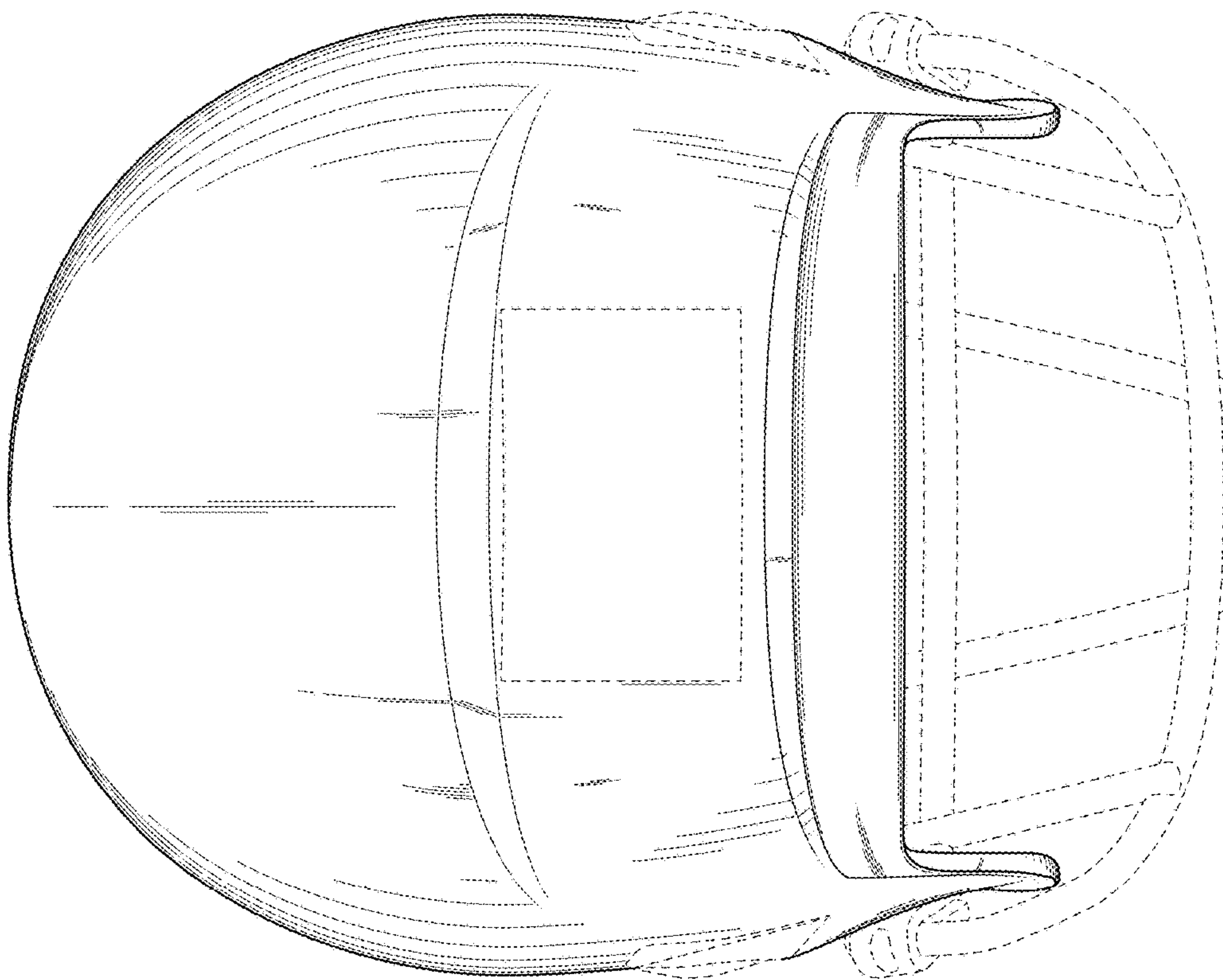


FIG. 3

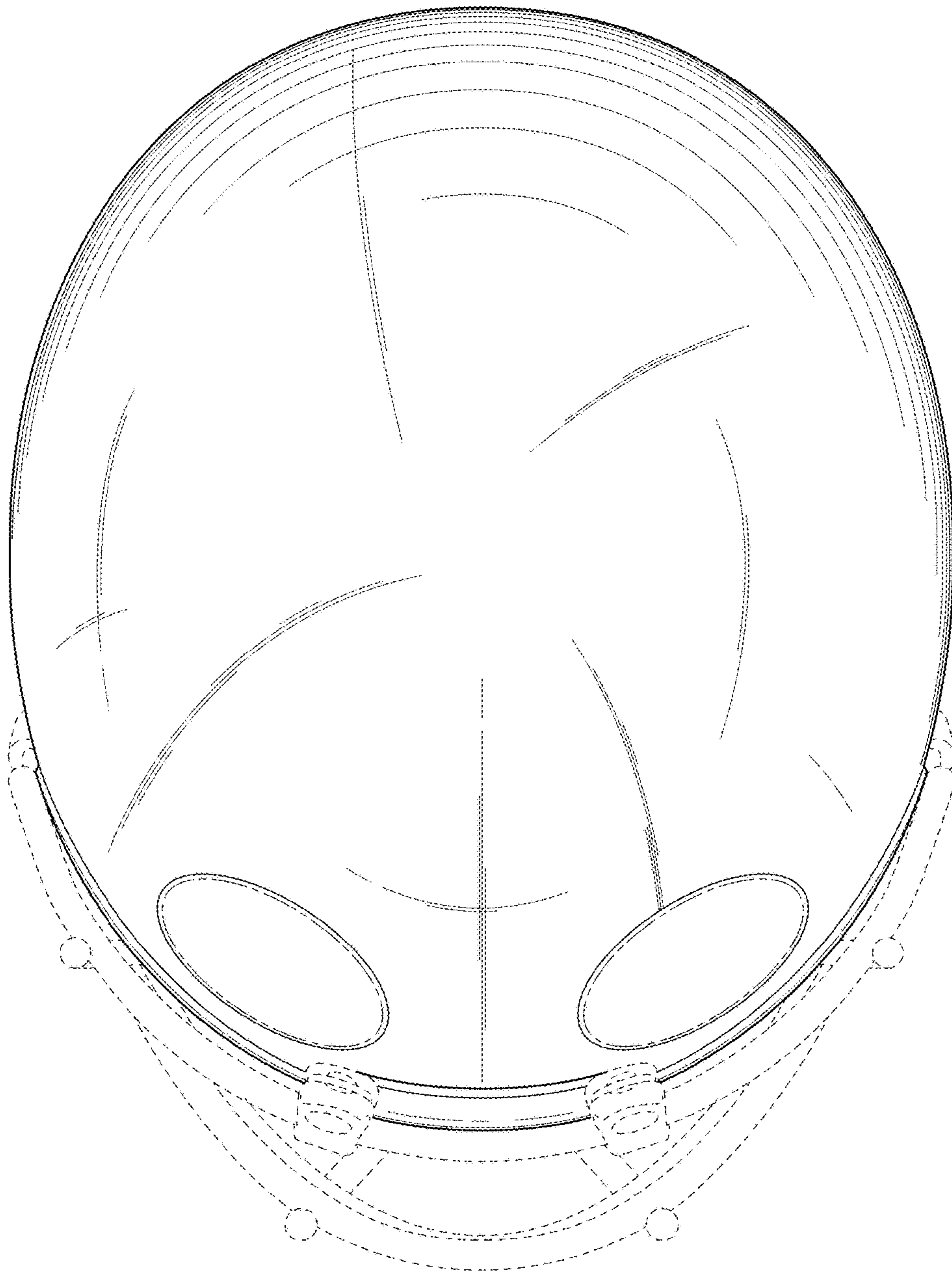


FIG. 4

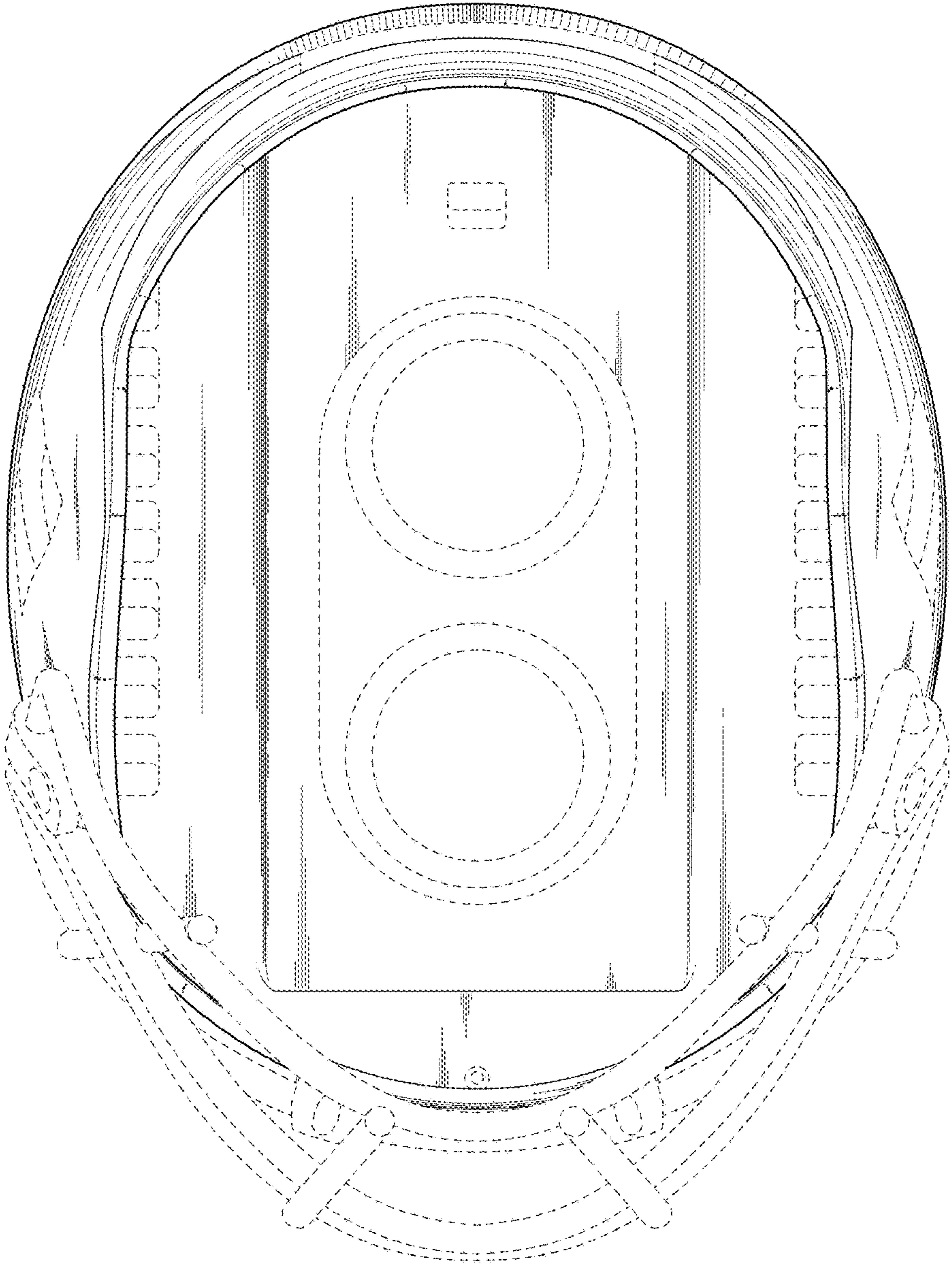


FIG. 5

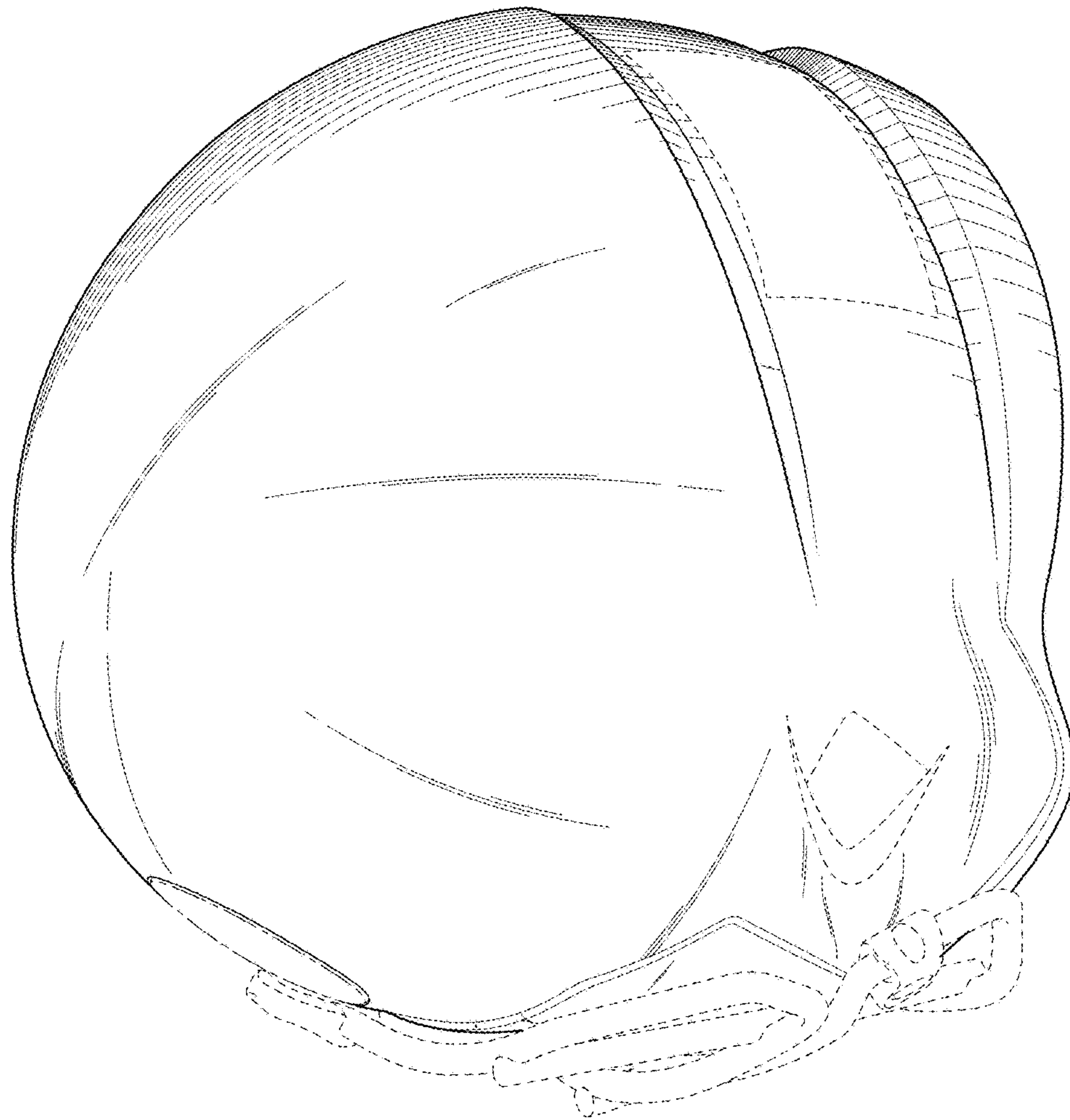


FIG. 6