



US00D776083S

(12) **United States Design Patent**
Lee et al.

(10) **Patent No.:** **US D776,083 S**
(45) **Date of Patent:** **** Jan. 10, 2017**

(54) **EARPHONE**

(71) Applicant: **LG ELECTRONICS INC.**, Seoul (KR)

(72) Inventors: **Hophil Lee**, Seoul (KR); **Jihoon Shin**, Seoul (KR); **Hyon Kim**, Seoul (KR)

(73) Assignee: **LG ELECTRONICS INC.**, Seoul (KR)

(**) Term: **15 Years**

(21) Appl. No.: **29/537,254**

(22) Filed: **Aug. 24, 2015**

(30) **Foreign Application Priority Data**

Feb. 25, 2015 (KR) 30-2015-0009657

(51) **LOC (10) Cl.** **14-01**

(52) **U.S. Cl.**
USPC **D14/205**

(58) **Field of Classification Search**
USPC D14/205, 223; 181/129, 130, 135; 379/430, 379/431; 381/380, 381; 455/90.3, 455/575.1

CPC H04R 1/1033; H04R 5/033; H04R 5/0335; H04R 1/10

See application file for complete search history.

(56) **References Cited**

U.S. PATENT DOCUMENTS

- 2,501,107 A * 3/1950 Volkman H04R 5/0335 381/374
- D318,670 S * 7/1991 Taniguchi D14/205
- D326,655 S * 6/1992 Iribe D14/192
- D334,043 S * 3/1993 Taniguchi D14/218
- 6,871,732 B2 * 3/2005 Flint H02G 11/00 191/12 R
- D569,841 S * 5/2008 Chung D14/205
- D578,507 S * 10/2008 Ando D14/205

- D578,508 S * 10/2008 Wang D14/206
- D599,778 S * 9/2009 Ando D14/205
- D603,380 S * 11/2009 Hutchieson D14/223
- D605,628 S * 12/2009 Ando D14/205
- D607,875 S * 1/2010 Pedersen, II D14/206
- D618,211 S * 6/2010 Oguro D14/205
- D637,998 S * 5/2011 Brunner D14/205
- D637,999 S * 5/2011 Brunner D14/205
- D642,163 S * 7/2011 Lee D14/223
- D643,414 S * 8/2011 Lee D14/205
- D652,817 S * 1/2012 Lee D14/205
- D666,581 S * 9/2012 Perez D14/223
- D685,764 S * 7/2013 Coulter D14/205
- D687,410 S * 8/2013 Fletcher D14/205
- D698,750 S * 2/2014 Yoon D14/205
- D699,226 S * 2/2014 Yoon D14/206
- D711,356 S * 8/2014 Yang D14/223
- 8,831,266 B1 * 9/2014 Huang H04R 1/1091 381/370
- D718,273 S * 11/2014 Harata D14/205
- D718,286 S * 11/2014 Yang D14/223
- D719,548 S * 12/2014 Thompson D14/223
- D726,165 S * 4/2015 Kawaji D14/223

(Continued)

Primary Examiner — Paula Greene

(74) *Attorney, Agent, or Firm* — Birch, Stewart, Kolasch & Birch, LLP

(57) **CLAIM**

The ornamental design for an earphone, as shown and described.

DESCRIPTION

FIG. 1 is a perspective view of an earphone showing our new design;

FIG. 2 is a front view thereof;

FIG. 3 is a rear view thereof;

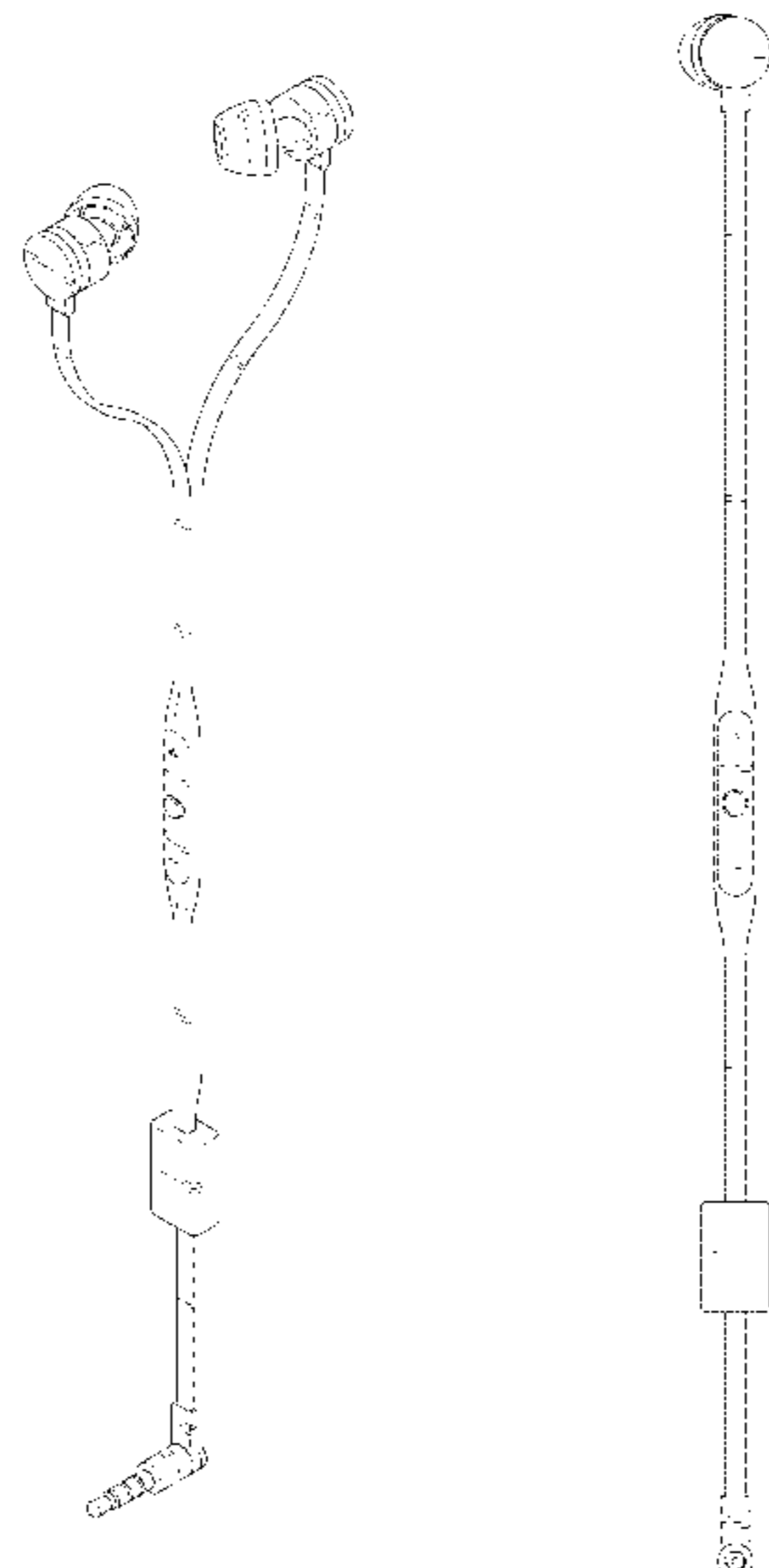
FIG. 4 is a left side view thereof;

FIG. 5 is a right side view thereof;

FIG. 6 is a top plan view thereof; and,

FIG. 7 is a bottom plan view thereof.

1 Claim, 6 Drawing Sheets



(56)

References Cited

U.S. PATENT DOCUMENTS

D727,871 S *	4/2015	Orbach	D14/205
D729,775 S *	5/2015	Seo	D14/205
9,031,264 B2 *	5/2015	Yang	H04R 1/1033 381/189
D745,489 S *	12/2015	Bjelle	D14/205
2007/0098201 A1 *	5/2007	Chen	H04R 1/1016 381/380
2010/0027831 A1 *	2/2010	Lee	H04R 1/1033 381/384

* cited by examiner

FIG. 1

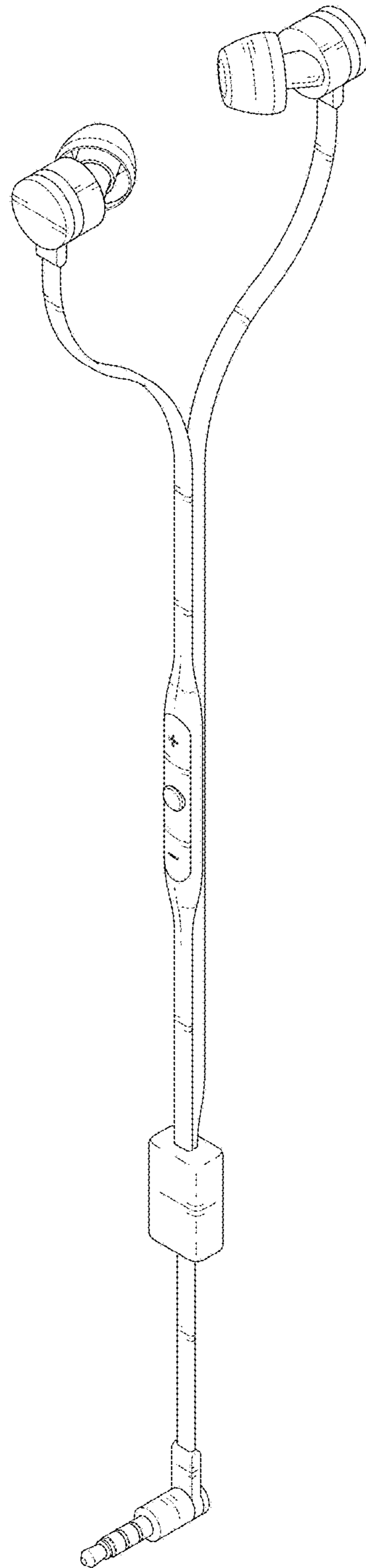


FIG. 2

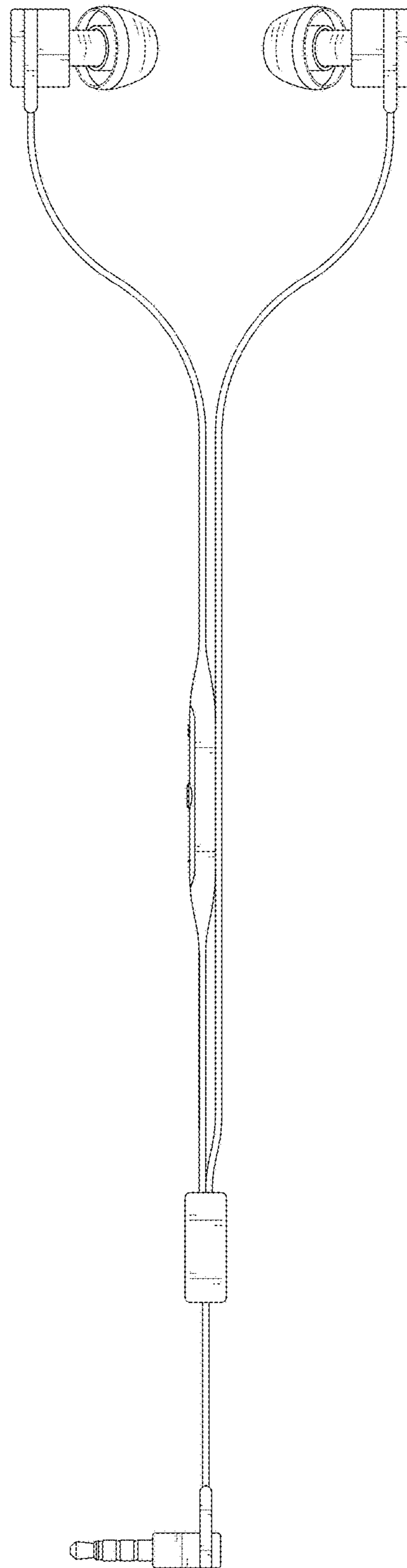


FIG. 3

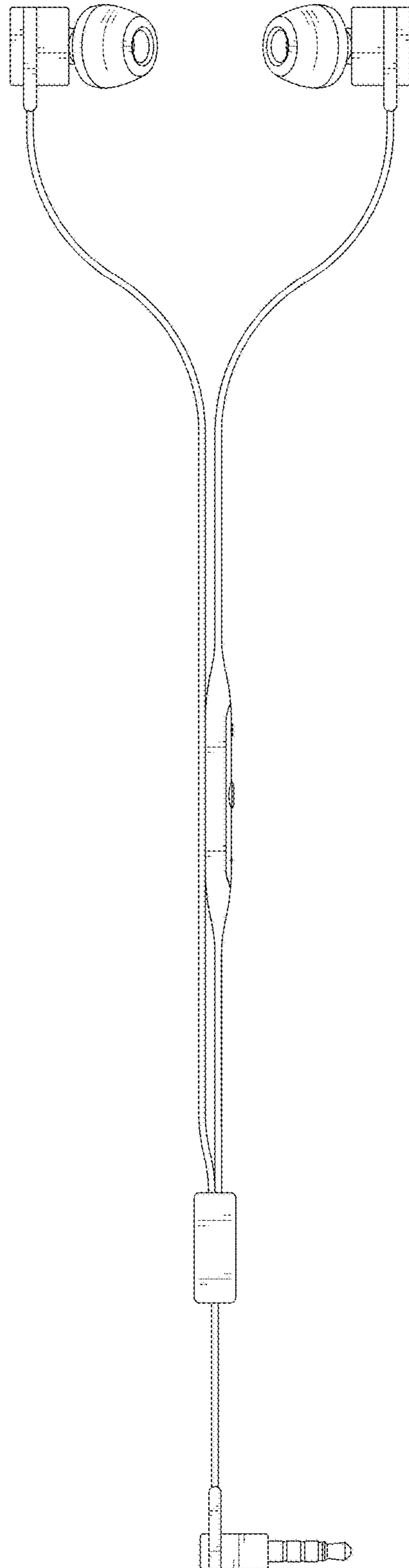


FIG. 4

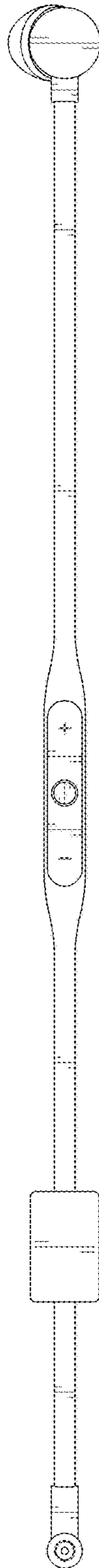


FIG. 5

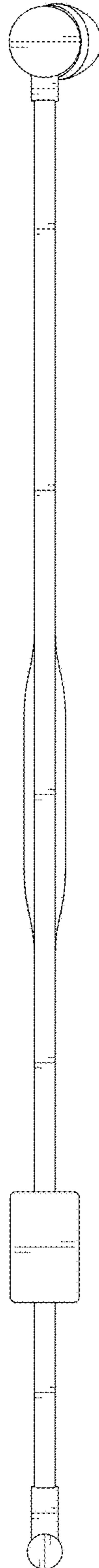


FIG. 6

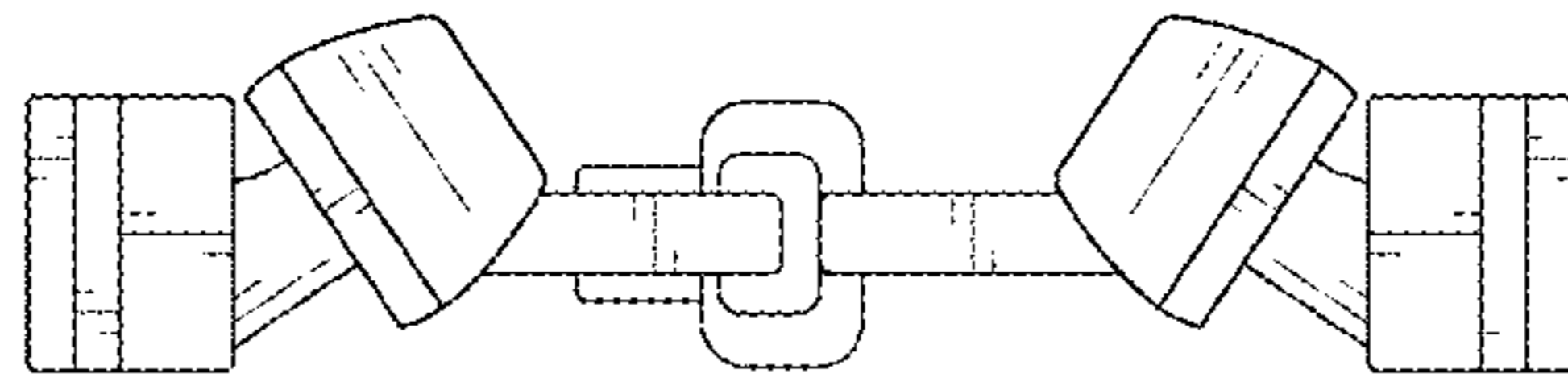


FIG. 7

