



US00D776082S

(12) **United States Design Patent**
Willman

(10) **Patent No.:** **US D776,082 S**
(45) **Date of Patent:** **** Jan. 10, 2017**

(54) **HEADPHONE COVER WITH ARM GUARD**

(71) Applicant: **Daniel D. Willman**, Marathon, FL (US)

(72) Inventor: **Daniel D. Willman**, Marathon, FL (US)

(**) Term: **15 Years**

(21) Appl. No.: **29/536,635**

(22) Filed: **Aug. 18, 2015**

(51) **LOC (10) Cl.** **14-01**

(52) **U.S. Cl.**

USPC **D14/205**

(58) **Field of Classification Search**

USPC D14/205, 188, 192; D29/112; 2/209;
D16/309, 330, 336; D19/81; 181/129,
181/130, 135; 379/430, 431; 381/370,
381/371, 374, 379, 380, 381; 24/3.12

(Continued)

(56) **References Cited**

U.S. PATENT DOCUMENTS

743,399 A * 11/1903 Shebold et al. A45F 5/02
131/257
2,437,049 A * 3/1948 Salisbury A61F 11/14
128/866

(Continued)

Primary Examiner — Paula Greene

(74) *Attorney, Agent, or Firm* — Mark Malek; Widerman
Malek, PL

(57) **CLAIM**

The ornamental design for a headphone cover with arm guard, as shown and described.

DESCRIPTION

FIG. 1 is a perspective and environmental view of a headphone cover with arm guard according to the present invention illustrated as being connected to headphones and being worn by a user.

FIG. 2 is a perspective and environmental view of a headphone cover with arm guard according to the present invention illustrated as being connected to headphones.

FIG. 3 is a front elevation and environmental view of the headphone cover with arm guard shown in FIG. 2 and illustrated as being connected to headphones.

FIG. 4 is a rear elevation and environmental view of the headphone cover with arm guard shown in FIG. 2 and illustrated as being connected to headphones.

FIG. 5 is a side elevation and environmental view of the headphone cover with arm guard shown in FIG. 2 and illustrated as being connected to headphones.

FIG. 6 is another side elevation and environmental view of the headphone cover with arm guard shown in FIG. 2 and illustrated as being connected to headphones.

FIG. 7 is a top plan and environmental view of the headphone cover with arm guard shown in FIG. 2 and illustrated as being connected to headphones.

FIG. 8 is a bottom plan and environmental view of the headphone cover with arm guard shown in FIG. 2 and illustrated as being connected to headphones.

FIG. 9 is a perspective view of a headphone cover with arm guard according to the present invention.

FIG. 10 is a side elevation view of the headphone cover with arm guard illustrated in FIG. 9.

FIG. 11 is another side elevation view of the headphone cover with arm guard illustrated in FIG. 9.

FIG. 12 is a rear elevation view of the headphone cover with arm guard illustrated in FIG. 9.

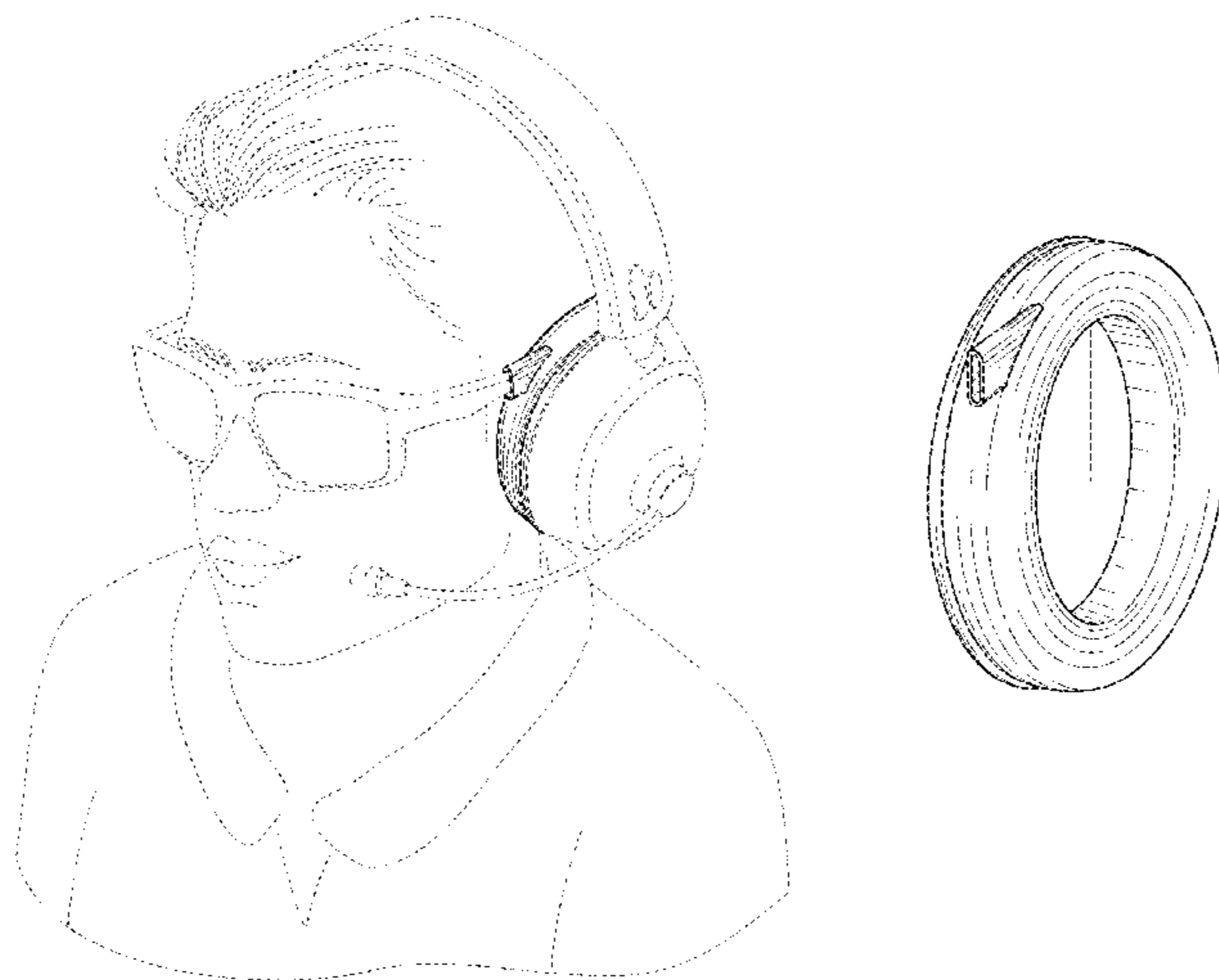
FIG. 13 is front elevation view of the headphone cover with arm guard illustrated in FIG. 9.

FIG. 14 is a top plan view of the headphone cover with arm guard illustrated in FIG. 9; and,

FIG. 15 is bottom plan view of the headphone cover with arm guard illustrated in FIG. 9.

The broken lines in FIGS. 1-8 depict headphones having a connected microphone, and a user wearing the headphones having a connected microphone that do not form a claimed feature of the present invention.

1 Claim, 10 Drawing Sheets



(58) **Field of Classification Search**
 CPC H04R 1/1008; H04R 1/10; H04R 25/00;
 H04R 5/033; H04R 5/0335
 See application file for complete search history.

(56) **References Cited**

U.S. PATENT DOCUMENTS

2,782,423 A * 2/1957 Simon A61F 11/14
 2/209
 D182,341 S * 3/1958 Pitcher 401/131
 3,051,961 A * 9/1962 Clark A61F 11/14
 181/129
 3,073,410 A * 1/1963 Gongoll A61F 11/14
 128/867
 3,220,505 A * 11/1965 Hargrave H04M 1/05
 181/129
 3,454,964 A * 7/1969 Brinkhoff A61F 11/14
 2/209
 3,769,663 A * 11/1973 Perl F21L 7/00
 224/181
 3,798,712 A * 3/1974 Bonis B43K 23/001
 224/181
 3,922,725 A * 12/1975 Csiki A61F 11/14
 2/209
 4,462,064 A * 7/1984 Schweitzer F21L 15/14
 362/105
 D276,665 S * 12/1984 Higginson D14/223
 4,852,221 A * 8/1989 Antonucci B43K 23/001
 24/10 R
 D313,092 S * 12/1990 Nilsson D14/205
 5,068,923 A * 12/1991 Sjoqvist A61F 11/14
 181/129
 D337,115 S * 7/1993 Yamazaki D14/205
 5,290,911 A * 3/1994 Tsuchida C08G 75/0272
 528/373
 D347,845 S * 6/1994 Sumikawa D14/205
 5,408,728 A * 4/1995 Wisniewski A45F 5/02
 24/3.3
 D358,390 S * 5/1995 Hayashi D14/205
 5,449,242 A * 9/1995 Salamone B43K 23/001
 24/10 R

D385,665 S * 10/1997 Westerdal D29/112
 5,706,360 A * 1/1998 Khandekar H04R 1/1008
 351/123
 D399,206 S * 10/1998 Yasutomi D14/205
 5,924,138 A * 7/1999 Baisden A61F 11/14
 2/209
 D413,413 S * 8/1999 Dillon D14/205
 6,065,157 A * 5/2000 Felman G02C 11/00
 2/13
 6,295,366 B1 * 9/2001 Haller H04R 5/0335
 379/430
 6,449,806 B1 * 9/2002 Engelhard H04M 1/05
 2/209
 6,481,846 B1 * 11/2002 Mikysa A42B 3/185
 351/114
 D476,639 S * 7/2003 Bergeron D14/205
 D491,163 S * 6/2004 Green D14/205
 D512,708 S * 12/2005 Harris, Jr. D14/205
 D540,302 S * 4/2007 Hagiwara D14/205
 7,245,736 B2 * 7/2007 Tsunoda H04R 1/12
 381/370
 D581,394 S * 11/2008 Lee D14/205
 D582,957 S * 12/2008 Moritz D16/309
 D603,370 S * 11/2009 Suzuki D14/205
 D616,865 S * 6/2010 Marchand D14/205
 D625,705 S * 10/2010 Ohori D14/205
 D657,776 S * 4/2012 Lee D14/205
 D676,895 S * 2/2013 Sullivan D16/306
 8,638,969 B2 * 1/2014 Kuhtz H04R 1/1008
 381/371
 D727,289 S * 4/2015 Czaniecki D14/205
 D729,194 S * 5/2015 Boeckel D14/205
 9,049,512 B1 * 6/2015 Kulavik H04R 1/1091
 D746,790 S * 1/2016 Strasberg D14/205
 D763,223 S * 8/2016 Czaniecki D14/205
 2002/0106099 A1 * 8/2002 Ma H04R 1/10
 381/371
 2005/0147269 A1 * 7/2005 Oliveira H04R 1/10
 381/382
 2010/0040252 A1 * 2/2010 Thompson H04R 1/083
 381/375

* cited by examiner

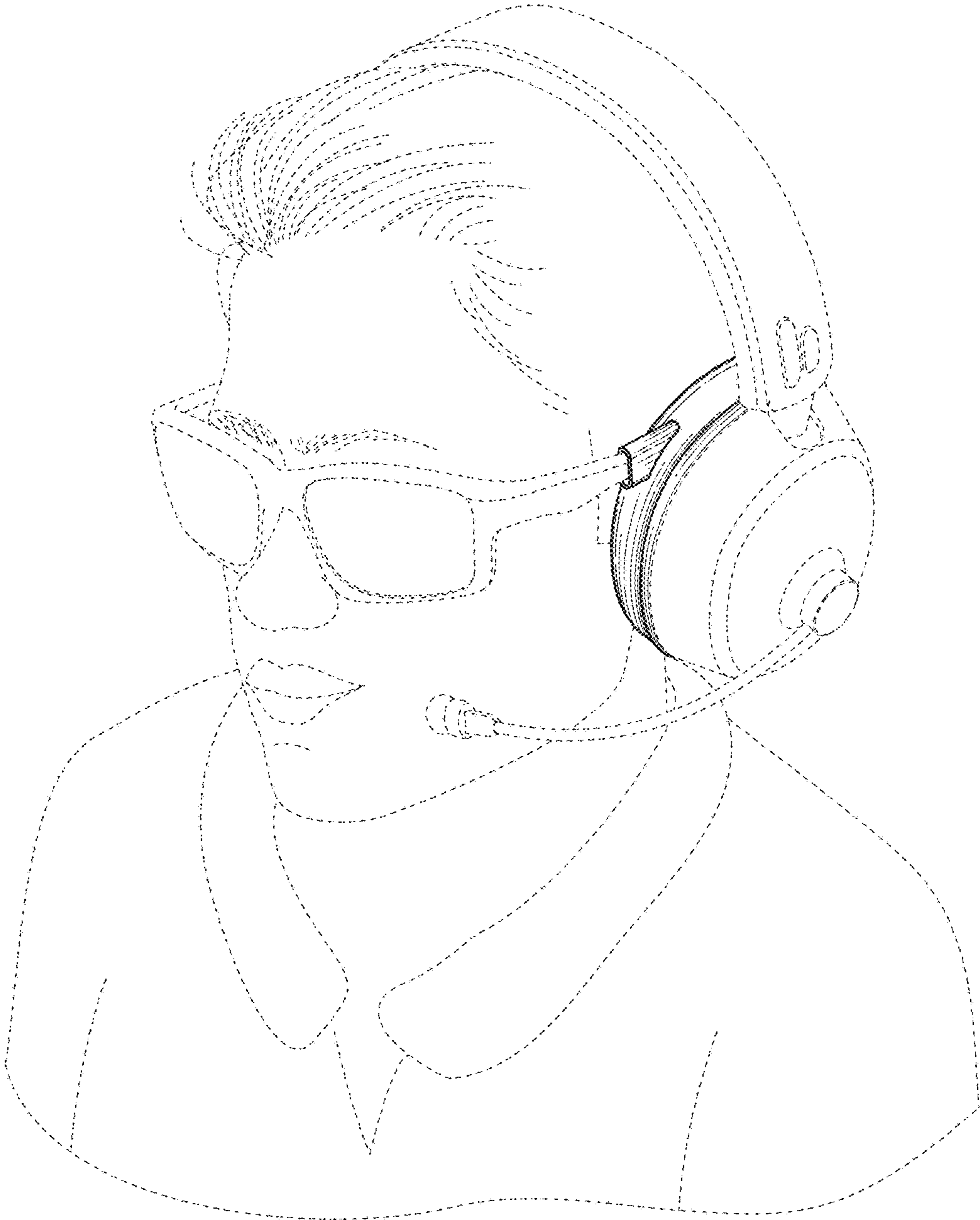


FIG. 1

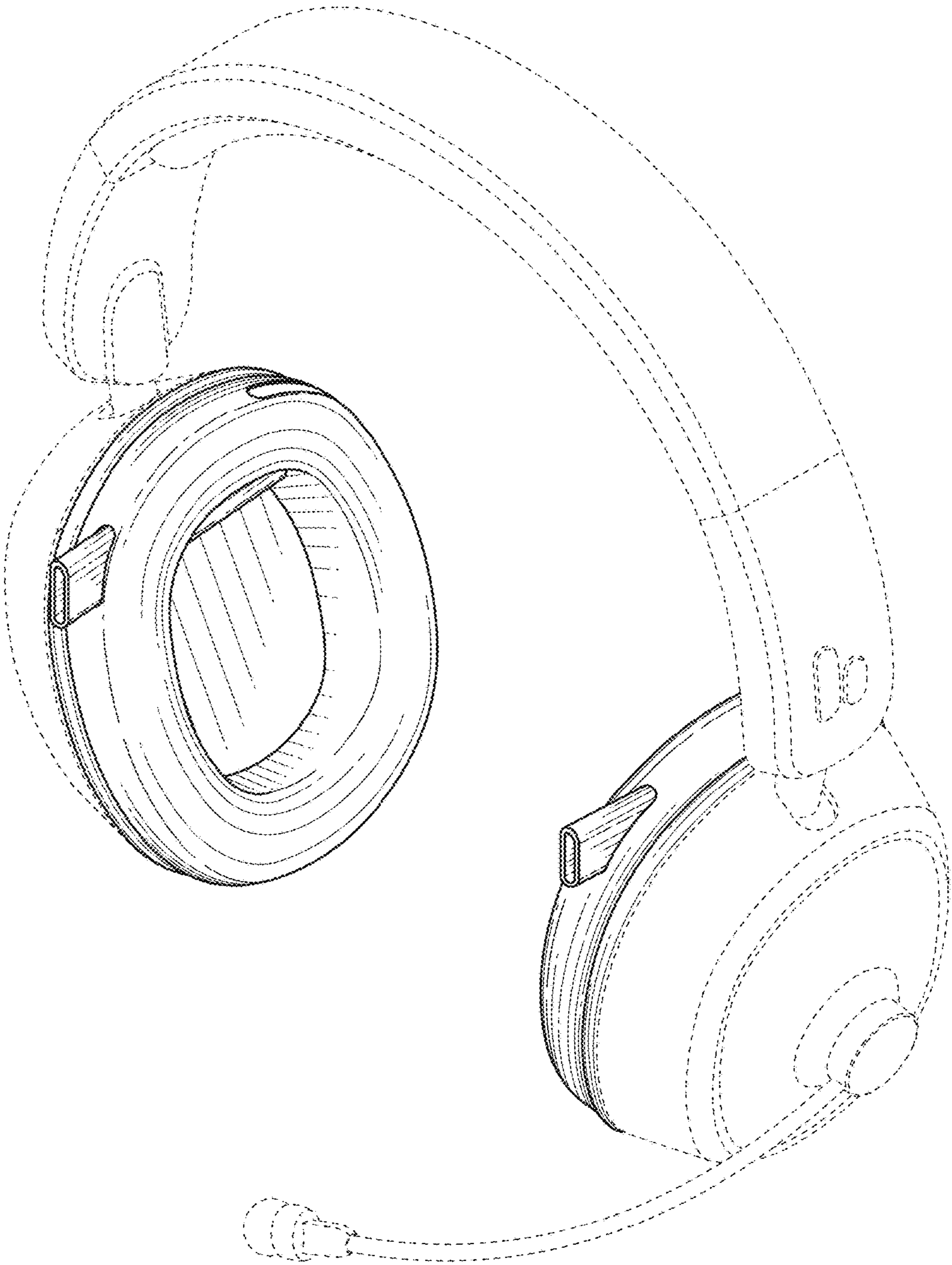


FIG. 2



FIG. 3

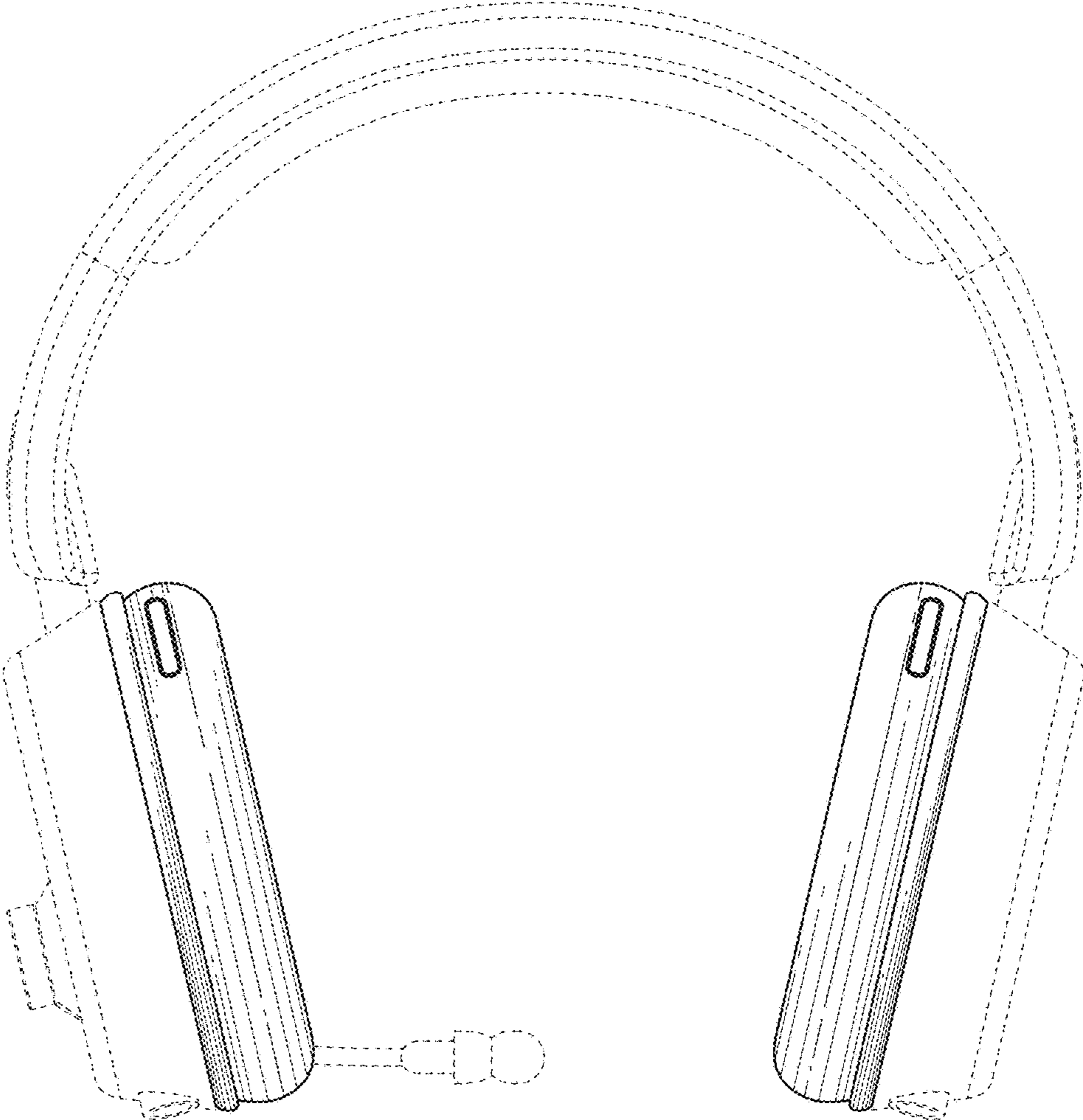


FIG. 4

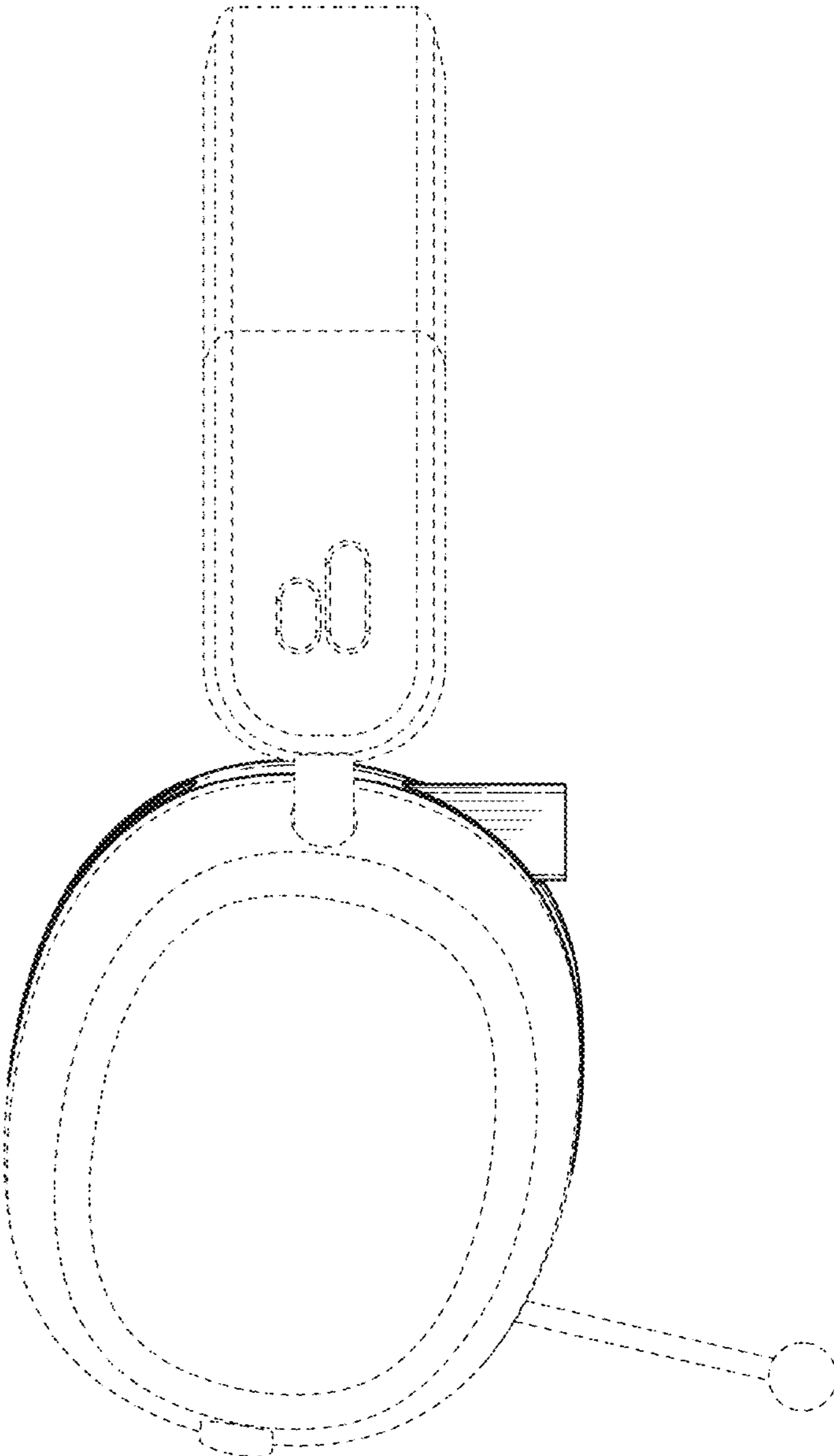


FIG. 5

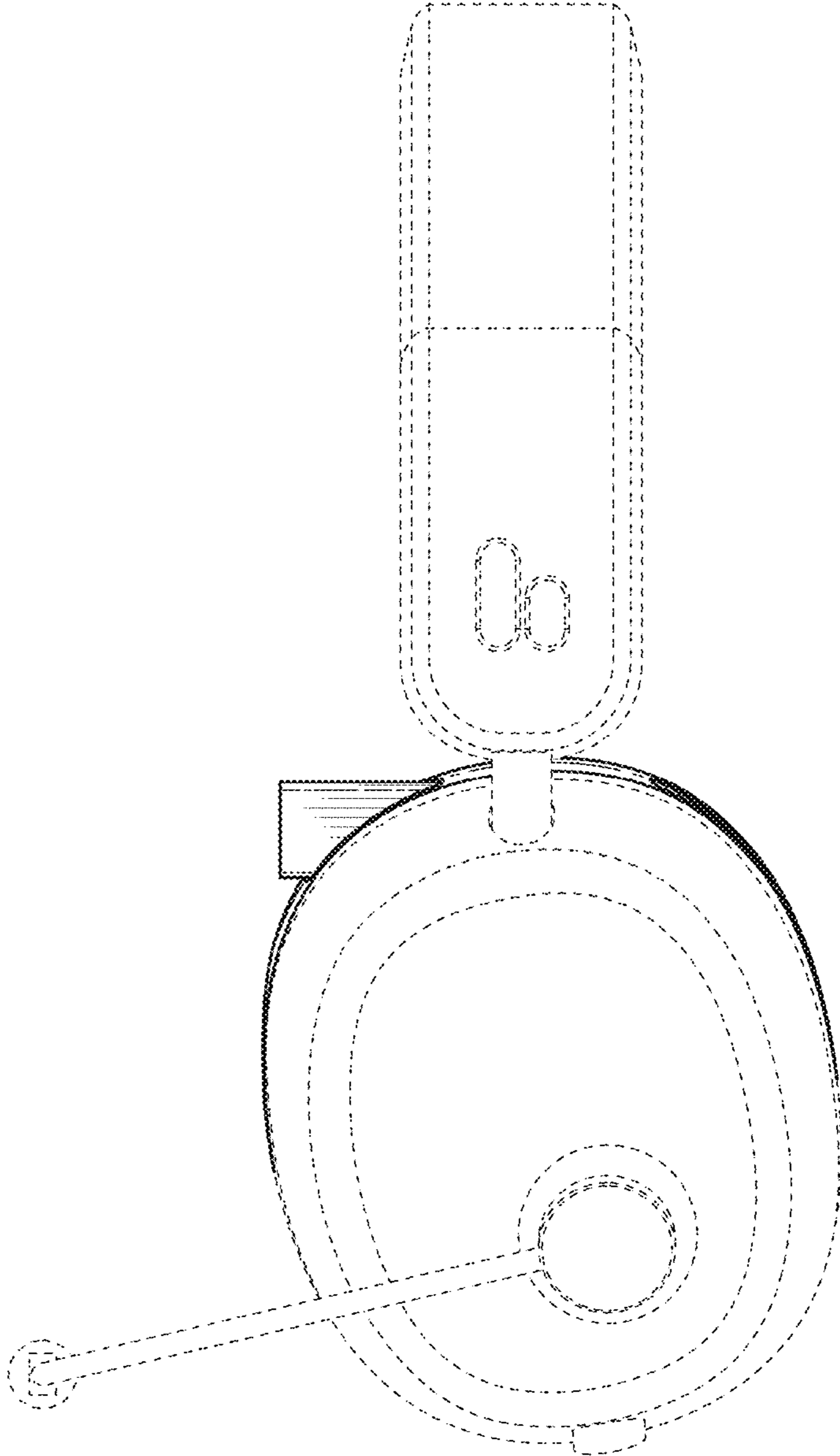


FIG. 6

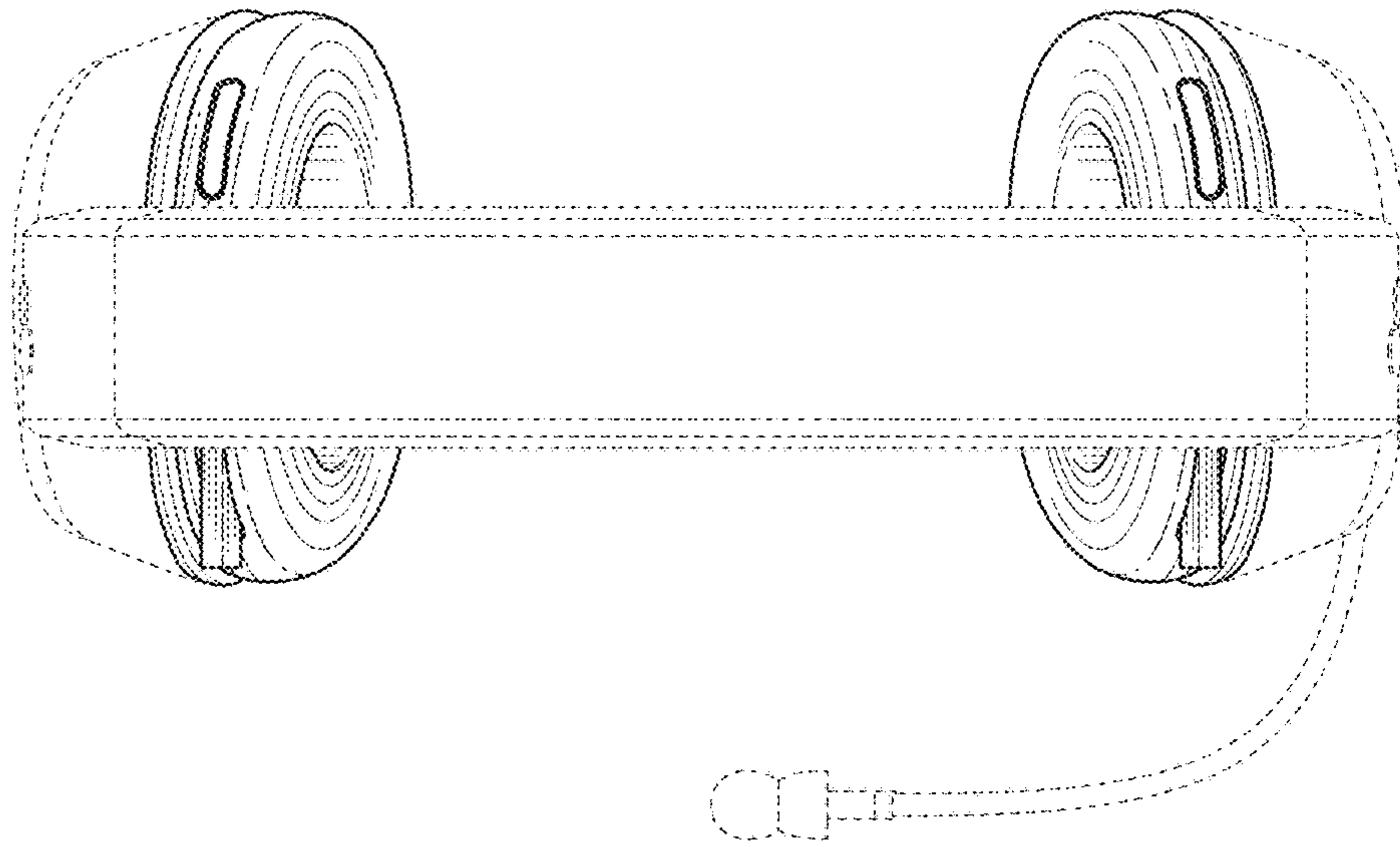


FIG. 7

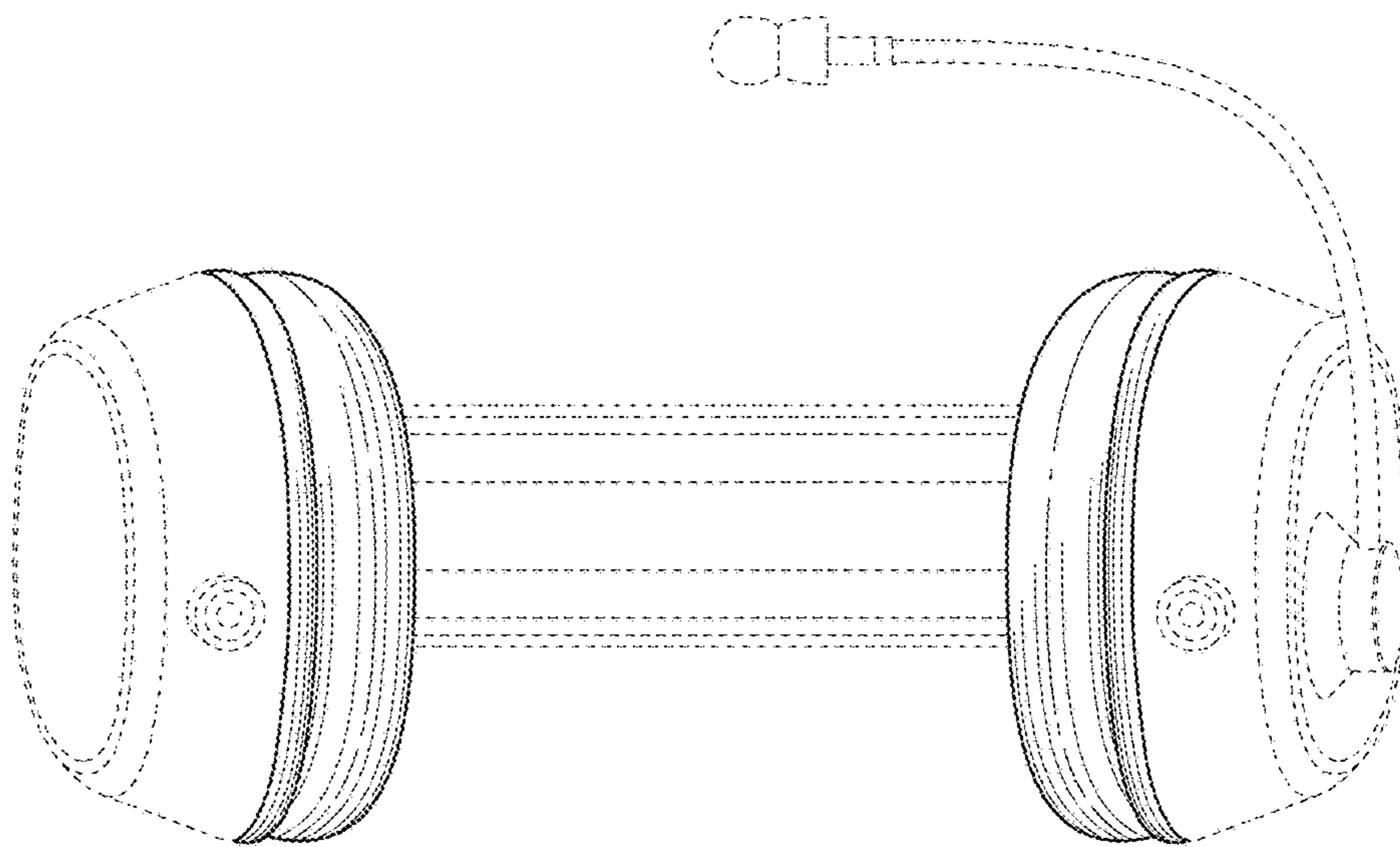


FIG. 8

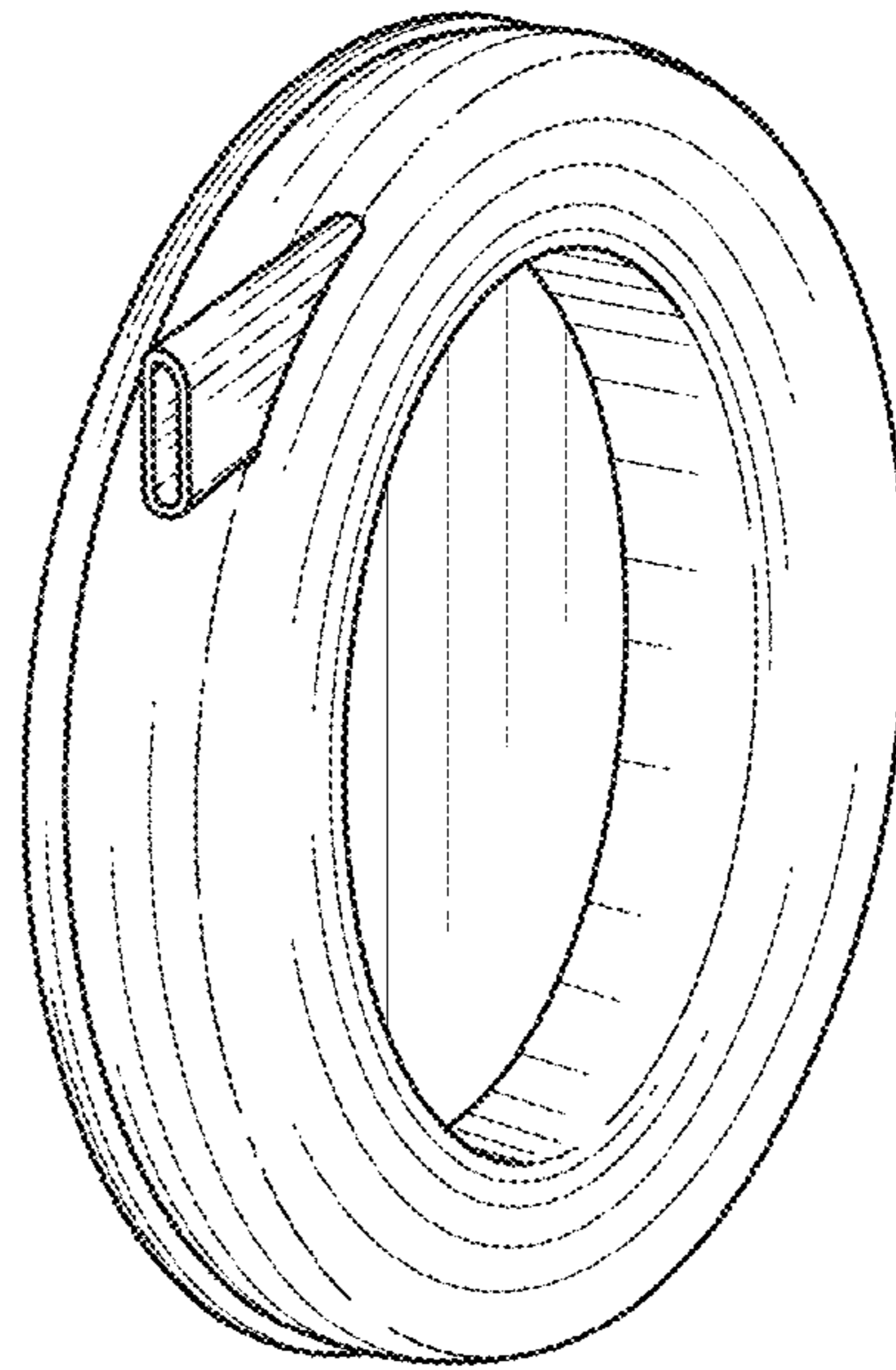


FIG. 9

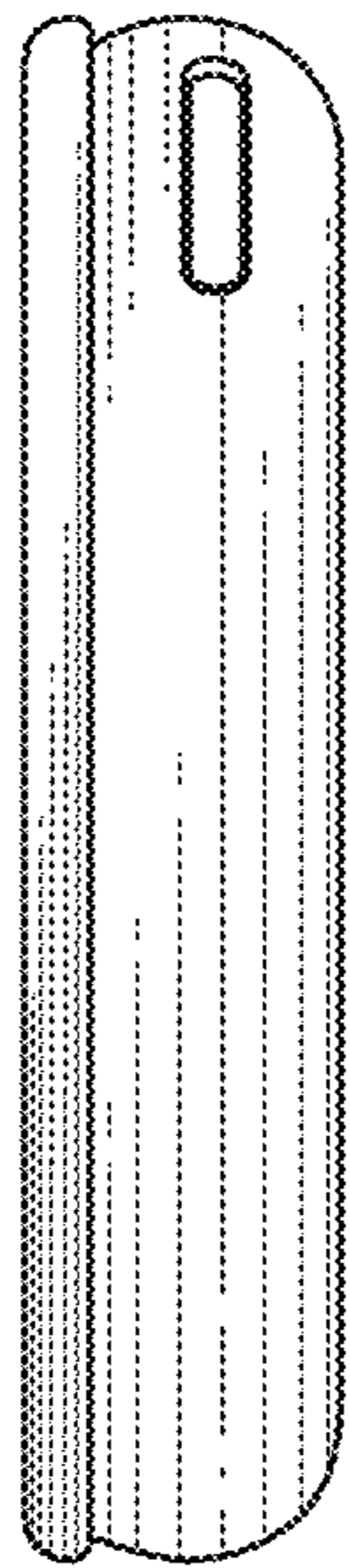


FIG. 10

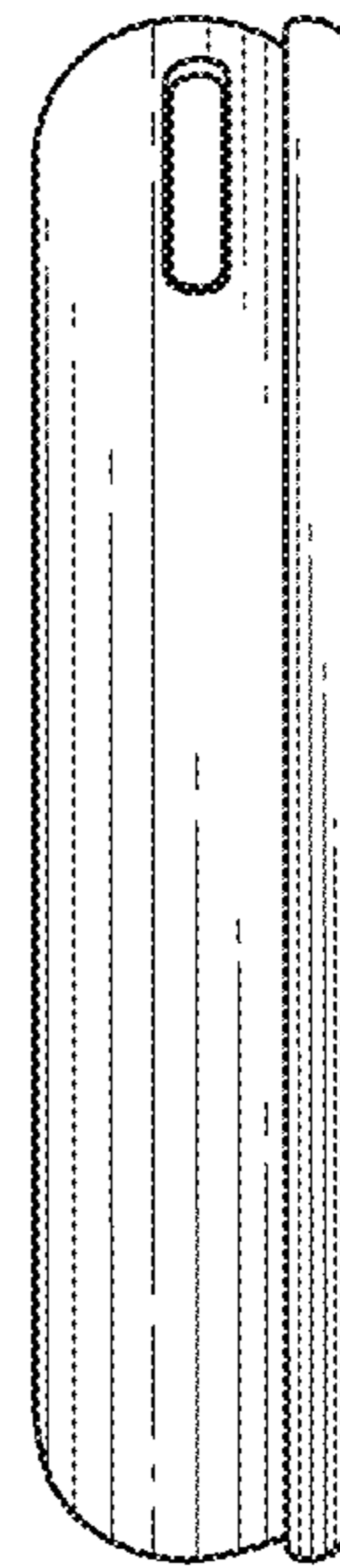


FIG. 11

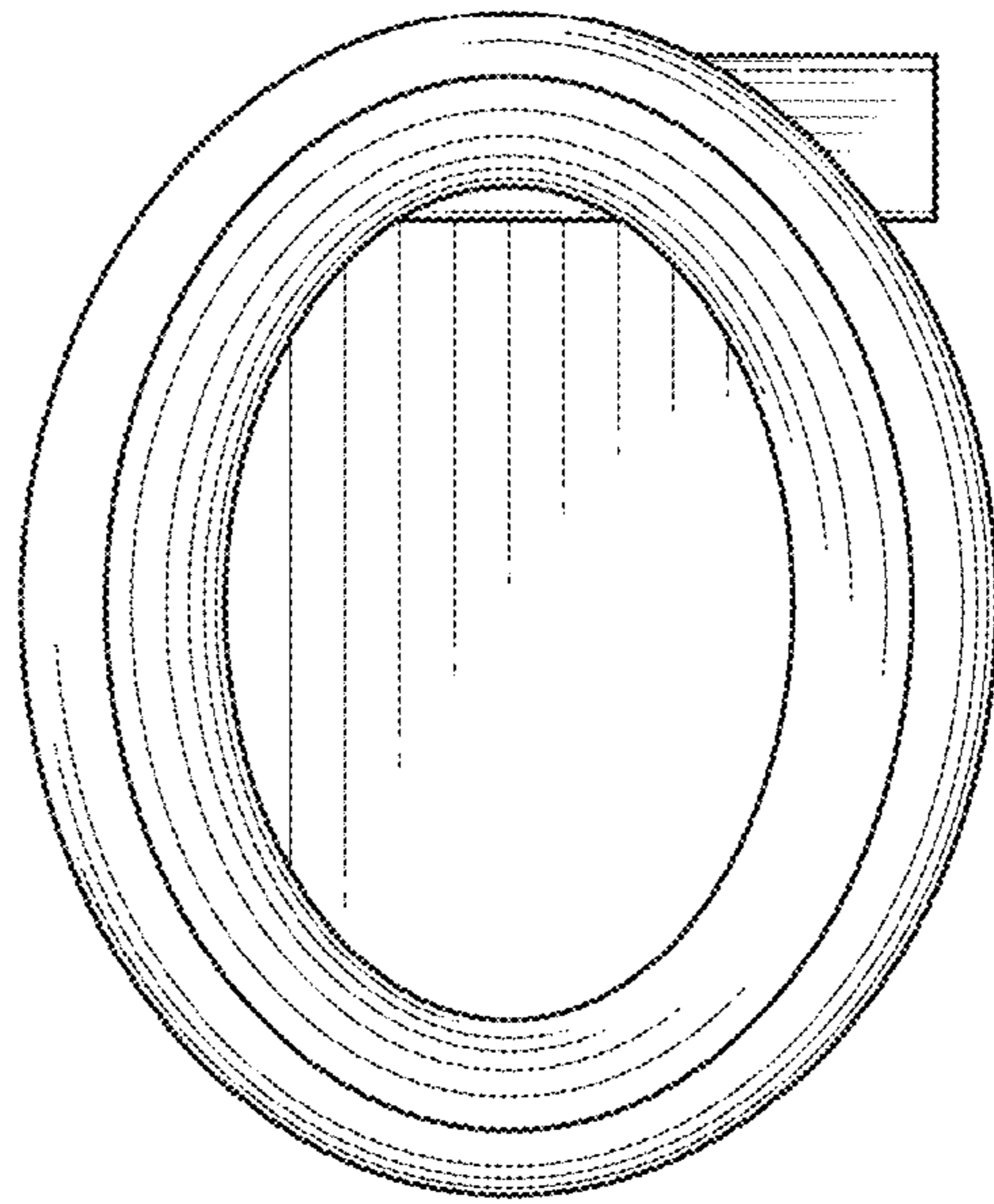


FIG. 12

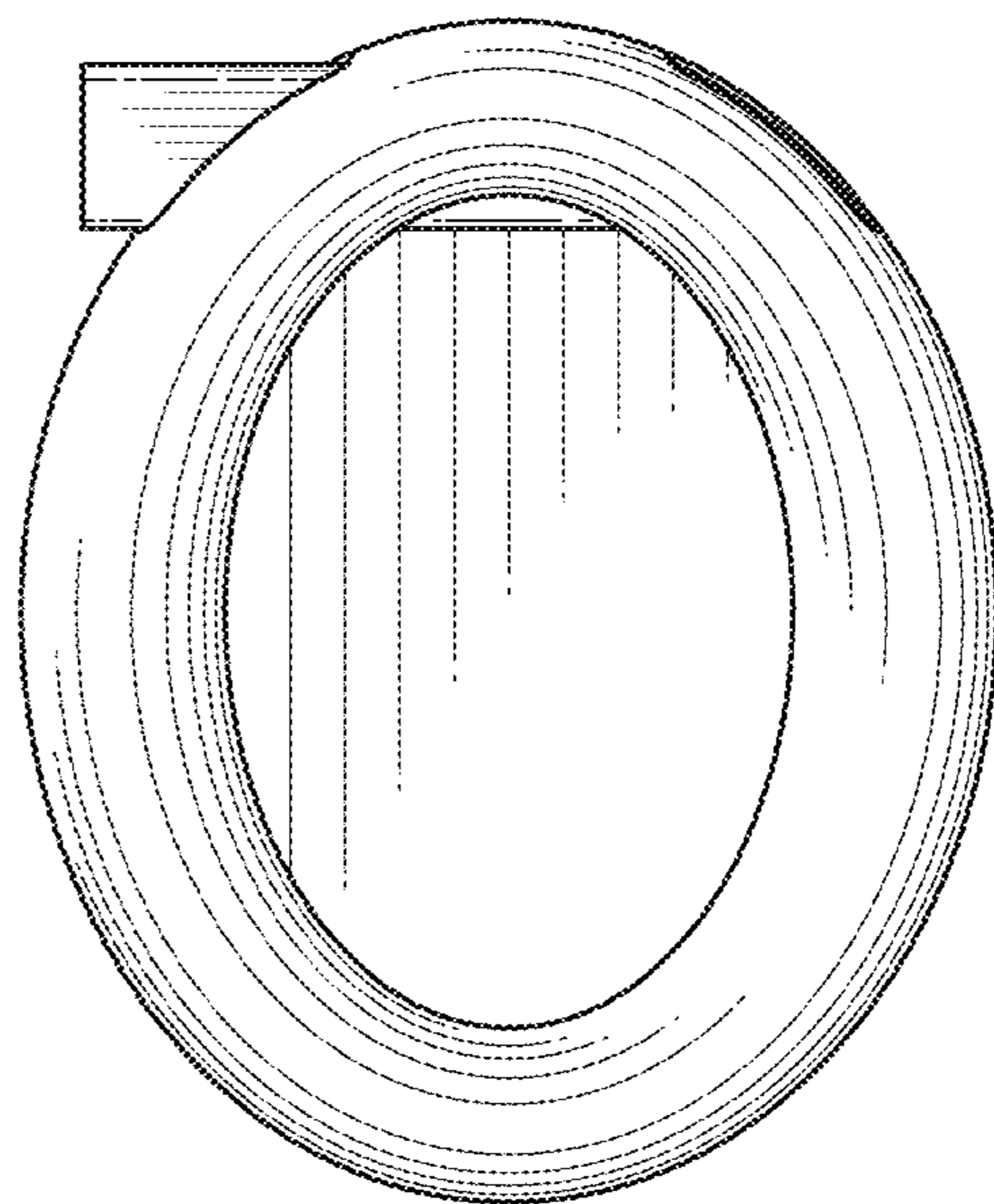


FIG. 13

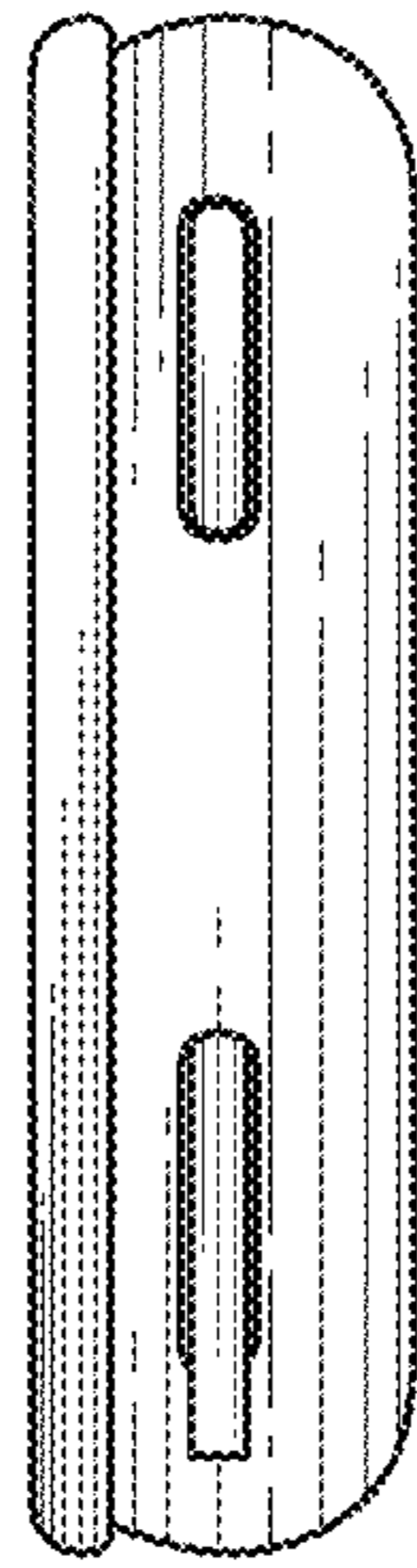


FIG. 14

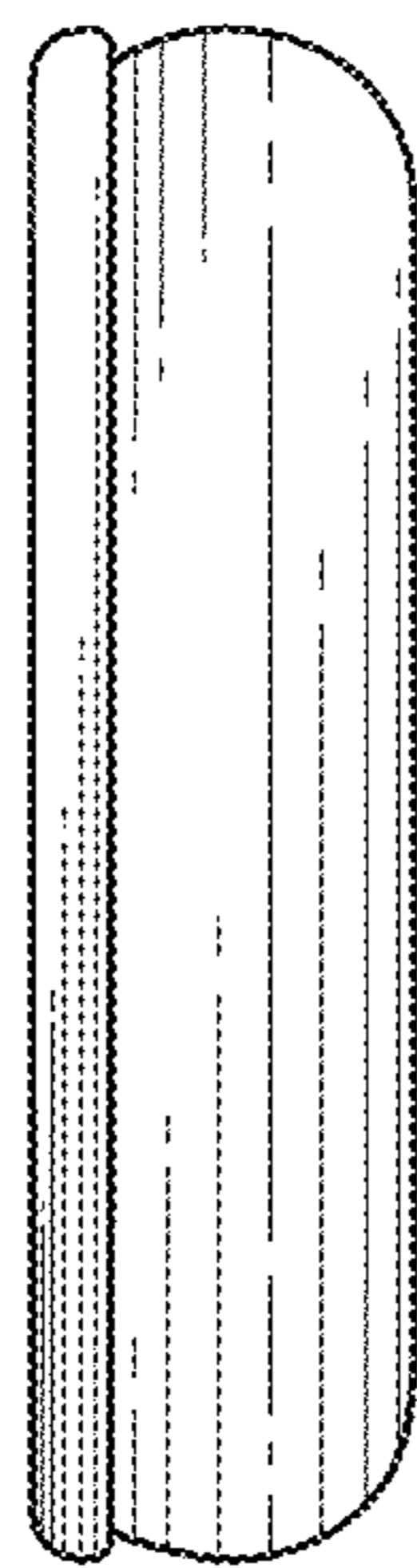


FIG. 15