



US00D776081S

(12) **United States Design Patent**
Willman

(10) **Patent No.:** **US D776,081 S**
(45) **Date of Patent:** **** Jan. 10, 2017**

(54) **HEADPHONE COVER**

DESCRIPTION

(71) Applicant: **Daniel D. Willman**, Marathon, FL (US)
(72) Inventor: **Daniel D. Willman**, Marathon, FL (US)
(**) Term: **15 Years**
(21) Appl. No.: **29/534,864**
(22) Filed: **Jul. 31, 2015**
(51) **LOC (10) Cl.** **14-01**
(52) **U.S. Cl.**
USPC **D14/205**
(58) **Field of Classification Search**
USPC D14/205, 188, 192; D29/112; 2/209;
D16/309, 330, 336; D19/81; 181/129,
181/130, 135; 379/430, 431; 381/370,
381/371, 374, 379, 380, 381; 24/3.12
CPC H04R 1/1008; H04R 1/10; H04R 25/00;
H04R 5/033; H04R 5/0335
See application file for complete search history.

(56) **References Cited**

U.S. PATENT DOCUMENTS

743,399 A * 11/1903 Shebold et al. A45F 5/02
131/257
2,437,049 A * 3/1948 Salisbury A61F 11/14
128/866
2,782,423 A * 2/1957 Simon A61F 11/14
2/209
D182,341 S * 3/1958 Pitcher 401/131
(Continued)

Primary Examiner — Paula Greene

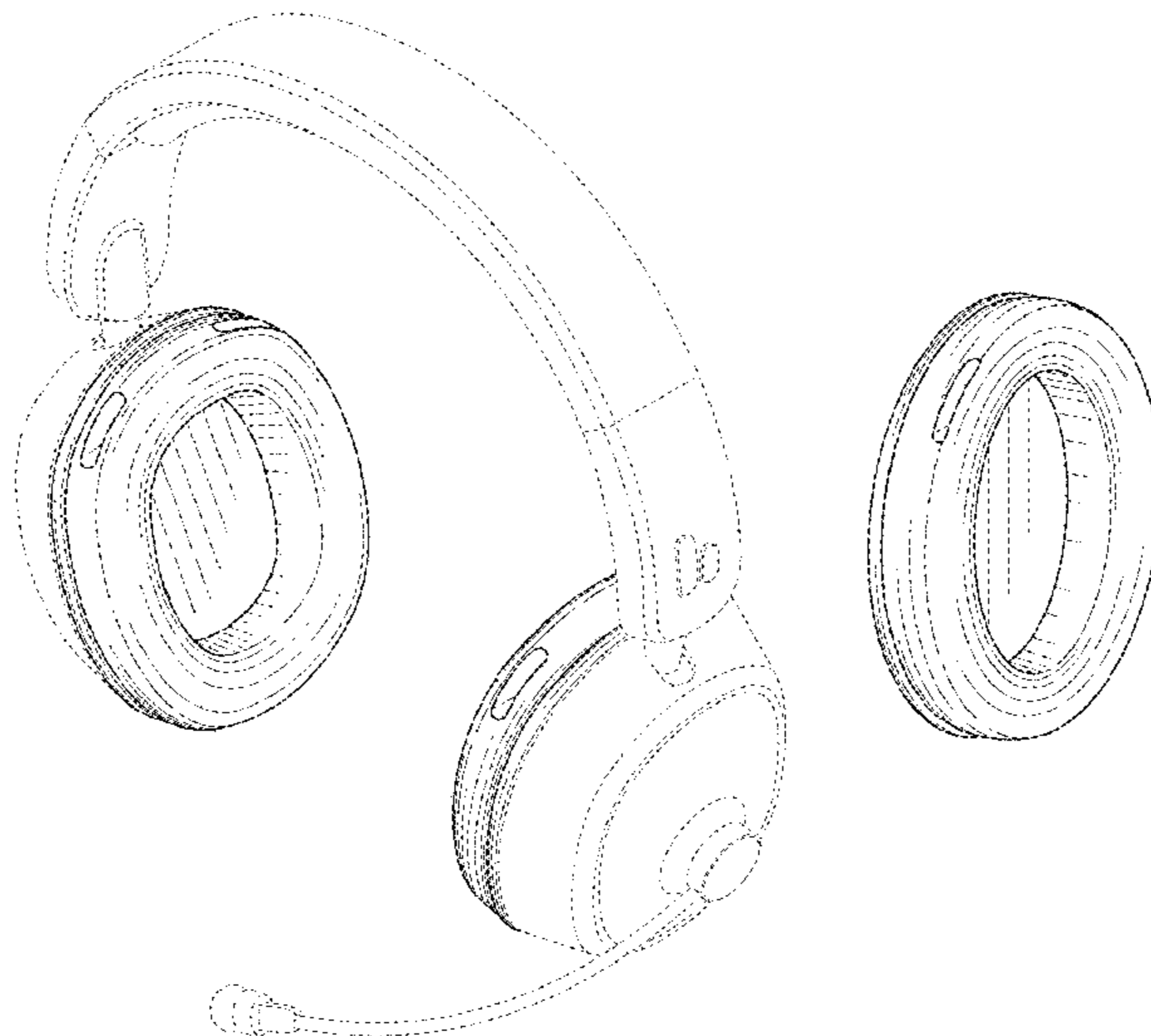
(74) *Attorney, Agent, or Firm* — Mark Malek; Widerman Malek, PL

(57) **CLAIM**

The ornamental design for a headphone cover, as shown and described.

FIG. 1 is a perspective and environmental view of a pair of headphone covers according to the present invention illustrated as being connected to headphones.
FIG. 2 is a front elevation and environmental view of the pair of headphone covers illustrated in FIG. 1 illustrated as being connected to headphones.
FIG. 3 is a rear elevation and environmental view of the pair of headphone covers illustrated in FIG. 1 illustrated as being connected to headphones.
FIG. 4 is a side elevation and environmental view of the pair of headphone covers illustrated in FIG. 1 illustrated as being connected to headphones.
FIG. 5 is another side elevation and environmental view of the pair of headphone covers illustrated in FIG. 1 illustrated as being connected to headphones.
FIG. 6 is a top plan and environmental view of the pair of headphone covers illustrated in FIG. 1 illustrated as being connected to headphones.
FIG. 7 is a bottom plan and environmental view of the pair of headphone covers illustrated in FIG. 1 illustrated as being connected to headphones.
FIG. 8 is a perspective view of a headphone cover according to the present invention.
FIG. 9 is a side elevation view of the headphone cover illustrated in FIG. 8.
FIG. 10 is another side elevation view of the headphone cover illustrated in FIG. 8.
FIG. 11 is a rear elevation view of the headphone cover illustrated in FIG. 8.
FIG. 12 is front elevation view of the headphone cover illustrated in FIG. 8.
FIG. 13 is a top plan view of the headphone cover illustrated in FIG. 8; and,
FIG. 14 is bottom plan view of the headphone cover illustrated in FIG. 8.
The broken lines in FIGS. 1-7 depict headphones having a connected microphone that do not form a claimed feature of the present invention.

1 Claim, 9 Drawing Sheets



(56)

References Cited

U.S. PATENT DOCUMENTS

3,051,961	A *	9/1962	Clark	A61F 11/14	181/129				
3,073,410	A *	1/1963	Gongoll	A61F 11/14	128/867				
3,220,505	A *	11/1965	Hargrave	H04M 1/05	181/129				
3,454,964	A *	7/1969	Brinkhoff	A61F 11/14	2/209				
3,769,663	A *	11/1973	Perl	F21L 7/00	224/181				
3,798,712	A *	3/1974	Bonis	B43K 23/001	224/181				
3,922,725	A *	12/1975	Csiki	A61F 11/14	2/209				
4,462,064	A *	7/1984	Schweitzer	F21L 15/14	362/105				
D276,665	S *	12/1984	Higginson	D14/223					
4,852,221	A *	8/1989	Antonucci	B43K 23/001	24/10 R				
D313,092	S *	12/1990	Nilsson	D14/205					
5,068,923	A *	12/1991	Sjoqvist	A61F 11/14	181/129				
D337,115	S *	7/1993	Yamazaki	D14/205					
D347,845	S *	6/1994	Sumikawa	D14/205					
5,408,728	A *	4/1995	Wisniewski	A45F 5/02	24/3.3				
D358,390	S *	5/1995	Hayashi	D14/205					
5,449,242	A *	9/1995	Salamone	B43K 23/001	24/10 R				
D385,665	S *	10/1997	Westerdal	D29/112					
D399,206	S *	10/1998	Yasutomi	D14/205					
D413,413	S *	8/1999	Dillon	D14/205					
6,065,157	A *	5/2000	Felman	G02C 11/00	2/13				
6,449,806	B1 *	9/2002	Engelhard	H04M 1/05	2/209				
D476,639	S *	7/2003	Bergeron	D14/205					
D491,163	S *	6/2004	Green	D14/205					
D512,708	S *	12/2005	Harris, Jr.	D14/205					
D540,302	S *	4/2007	Hagiwara	D14/205					
D581,394	S *	11/2008	Lee	D14/205					
D582,957	S *	12/2008	Moritz	D16/309					
D603,370	S *	11/2009	Suzuki	D14/205					
D616,865	S *	6/2010	Marchand	D14/205					
D625,705	S *	10/2010	Ohori	D14/205					
D657,776	S *	4/2012	Lee	D14/205					
D676,895	S *	2/2013	Sullivan	D16/306					
D727,289	S *	4/2015	Czaniecki	D14/205					
D729,194	S *	5/2015	Boeckel	D14/205					
D746,790	S *	1/2016	Strasberg	D14/205					
D763,223	S *	8/2016	Czaniecki	D14/205					
2010/0040252	A1 *	2/2010	Thompson	H04R 1/083	381/375				

* cited by examiner

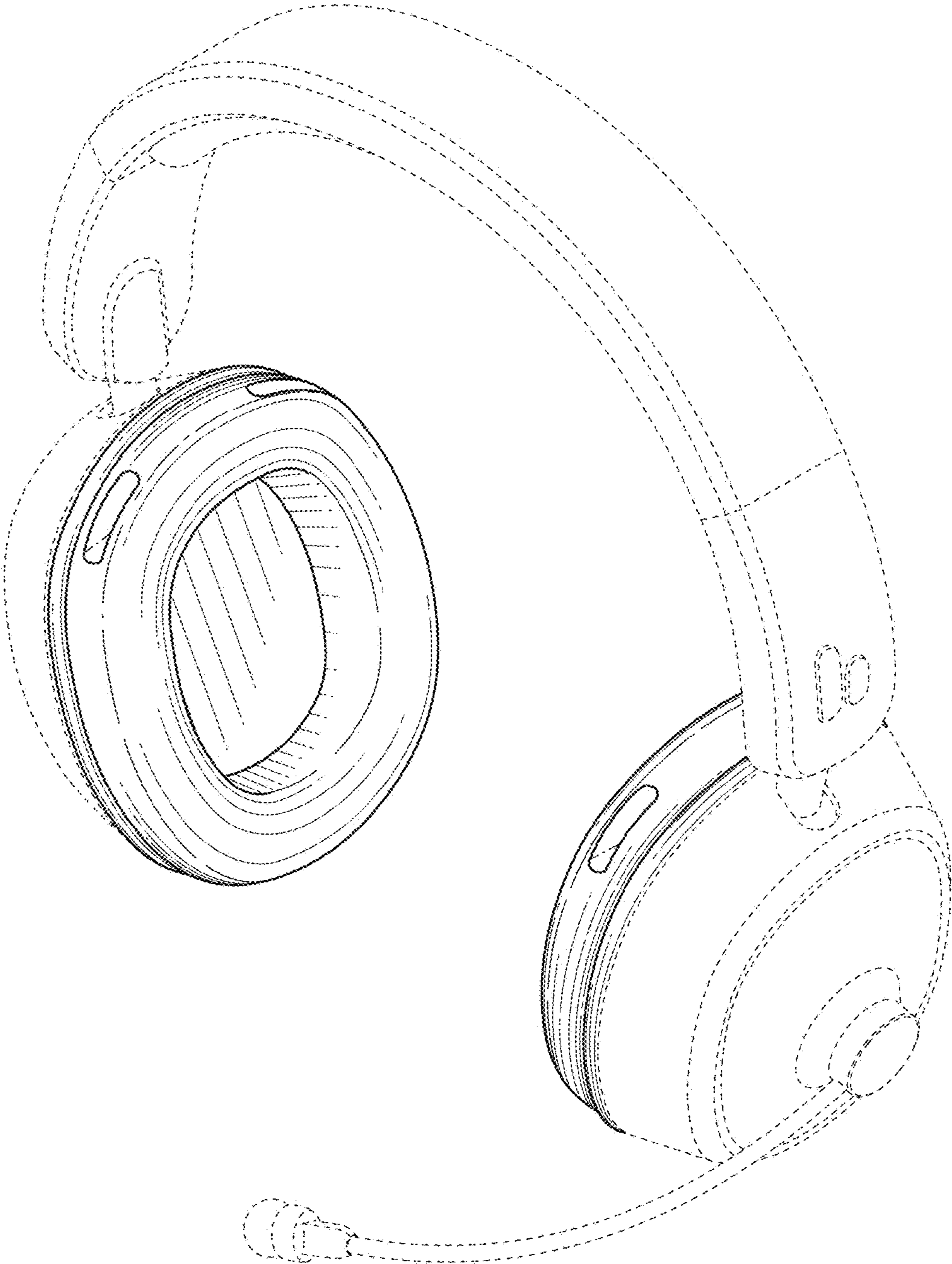


FIG. 1

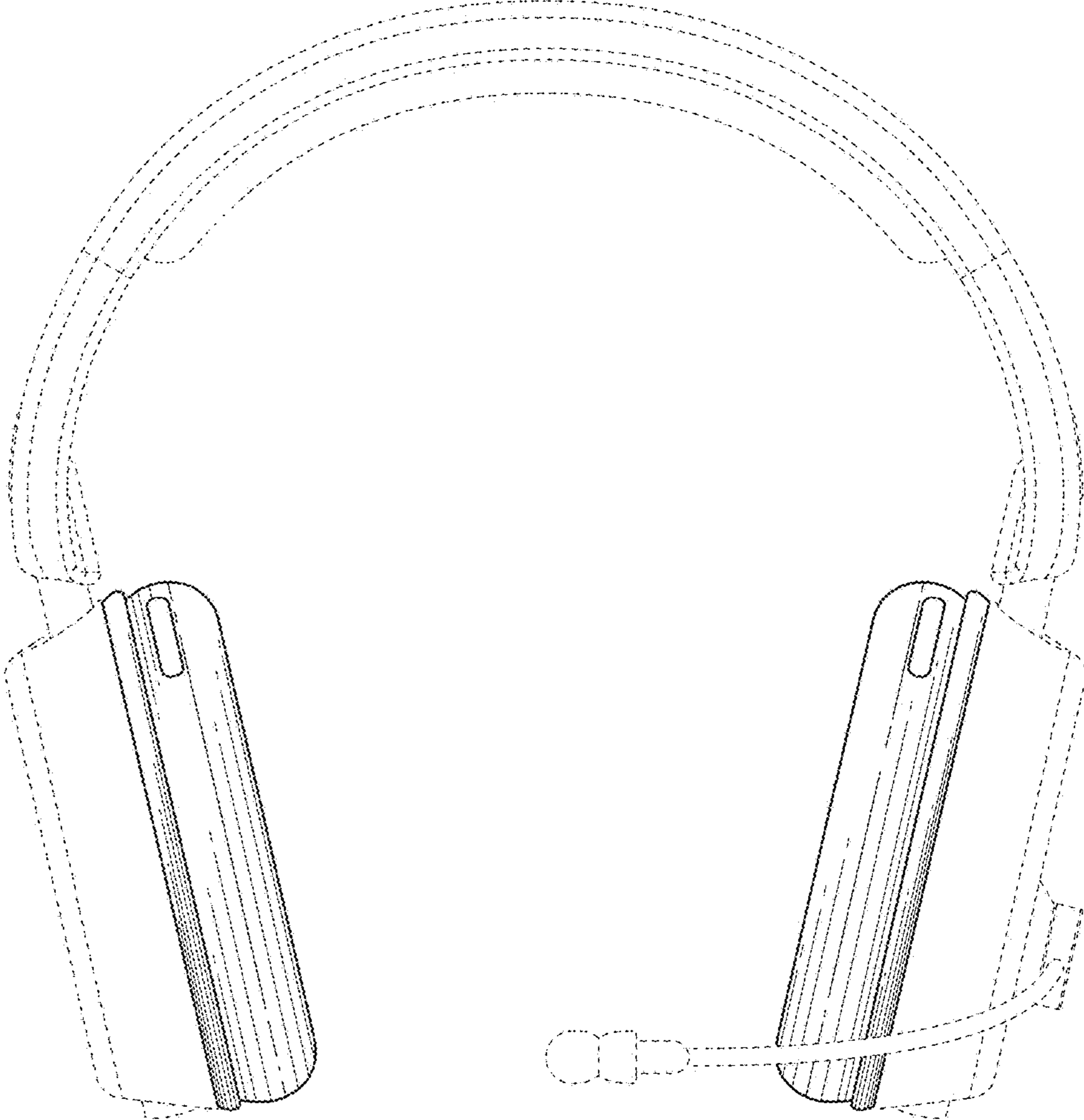


FIG. 2

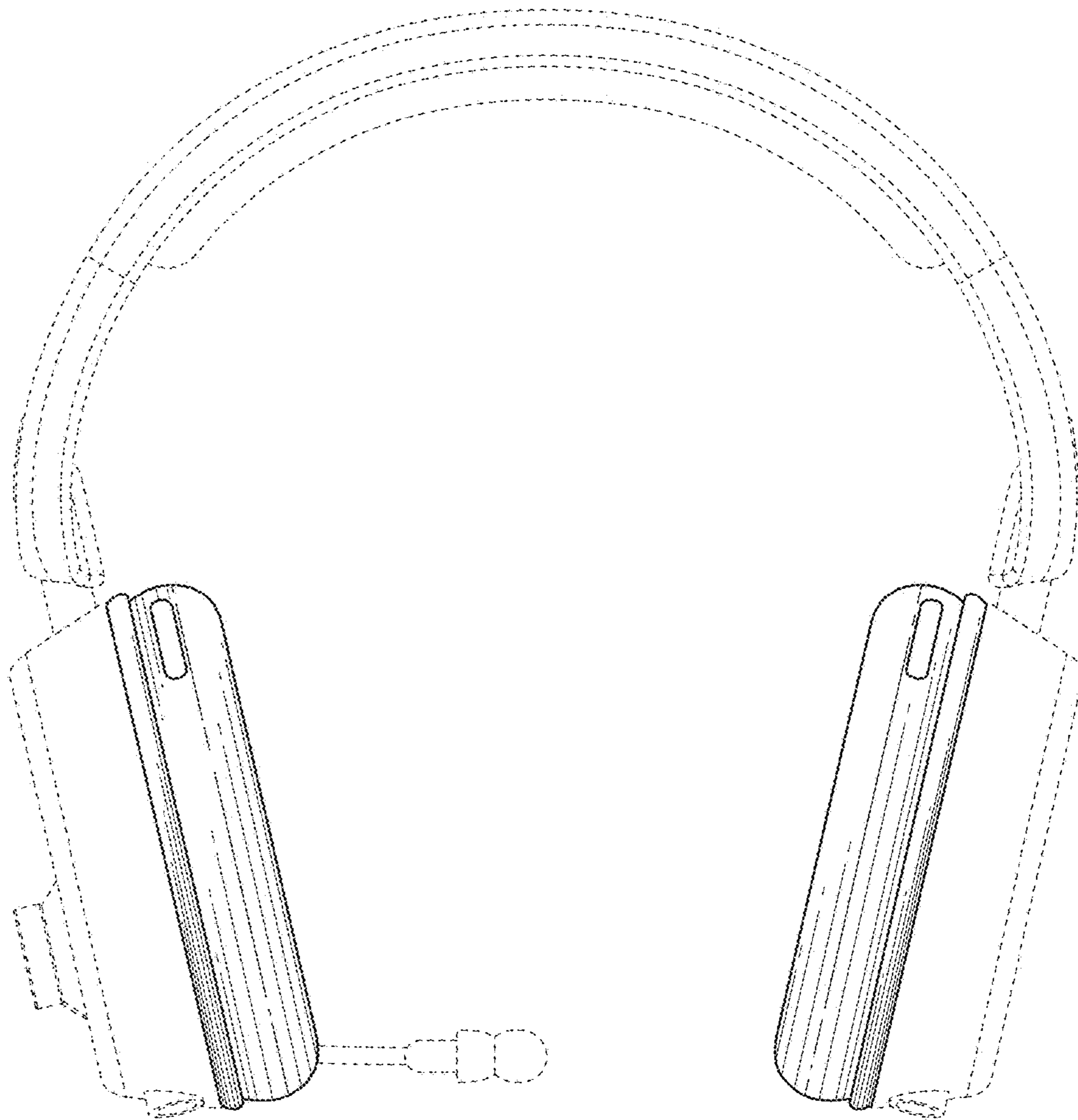


FIG. 3

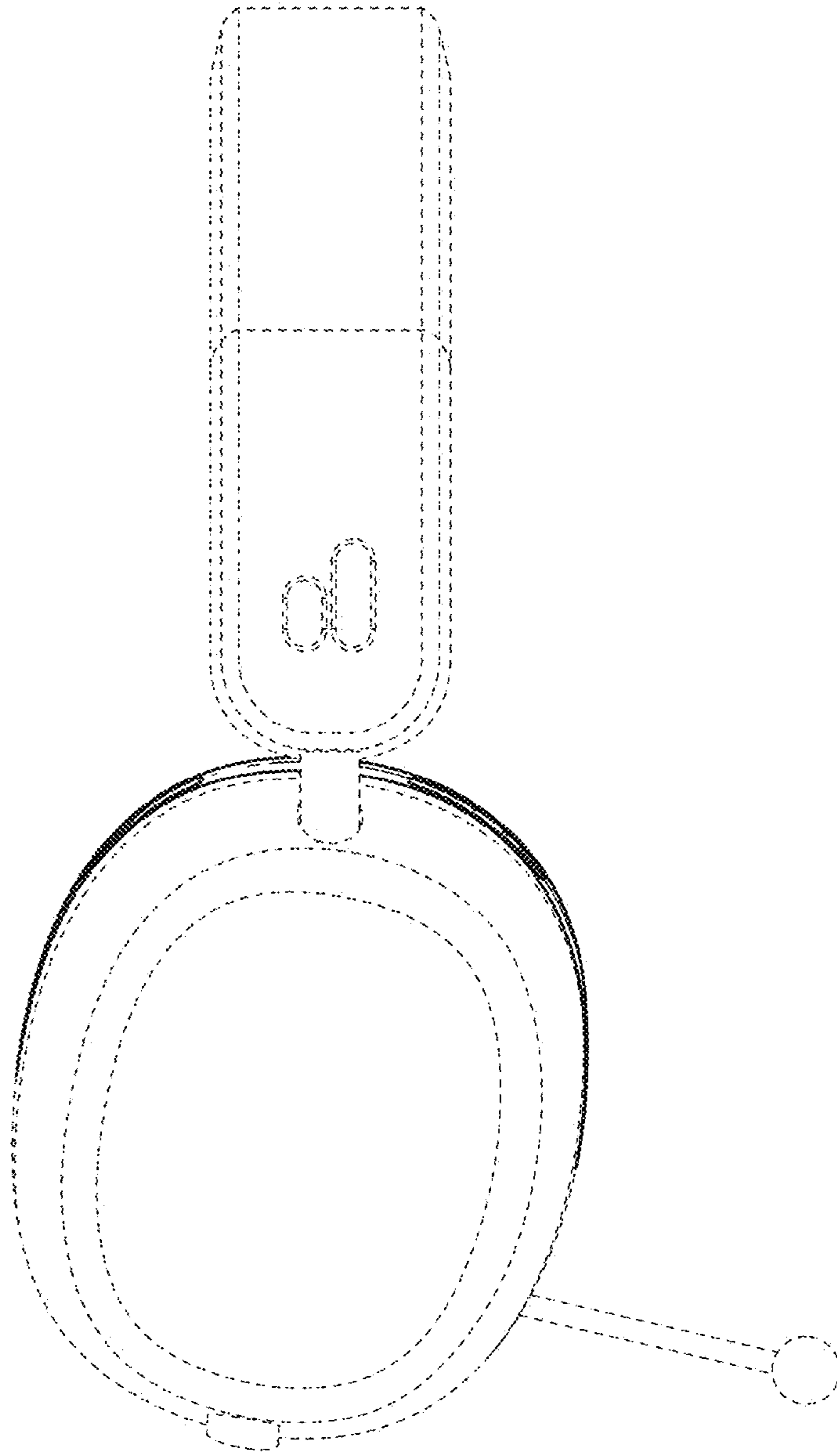


FIG. 4

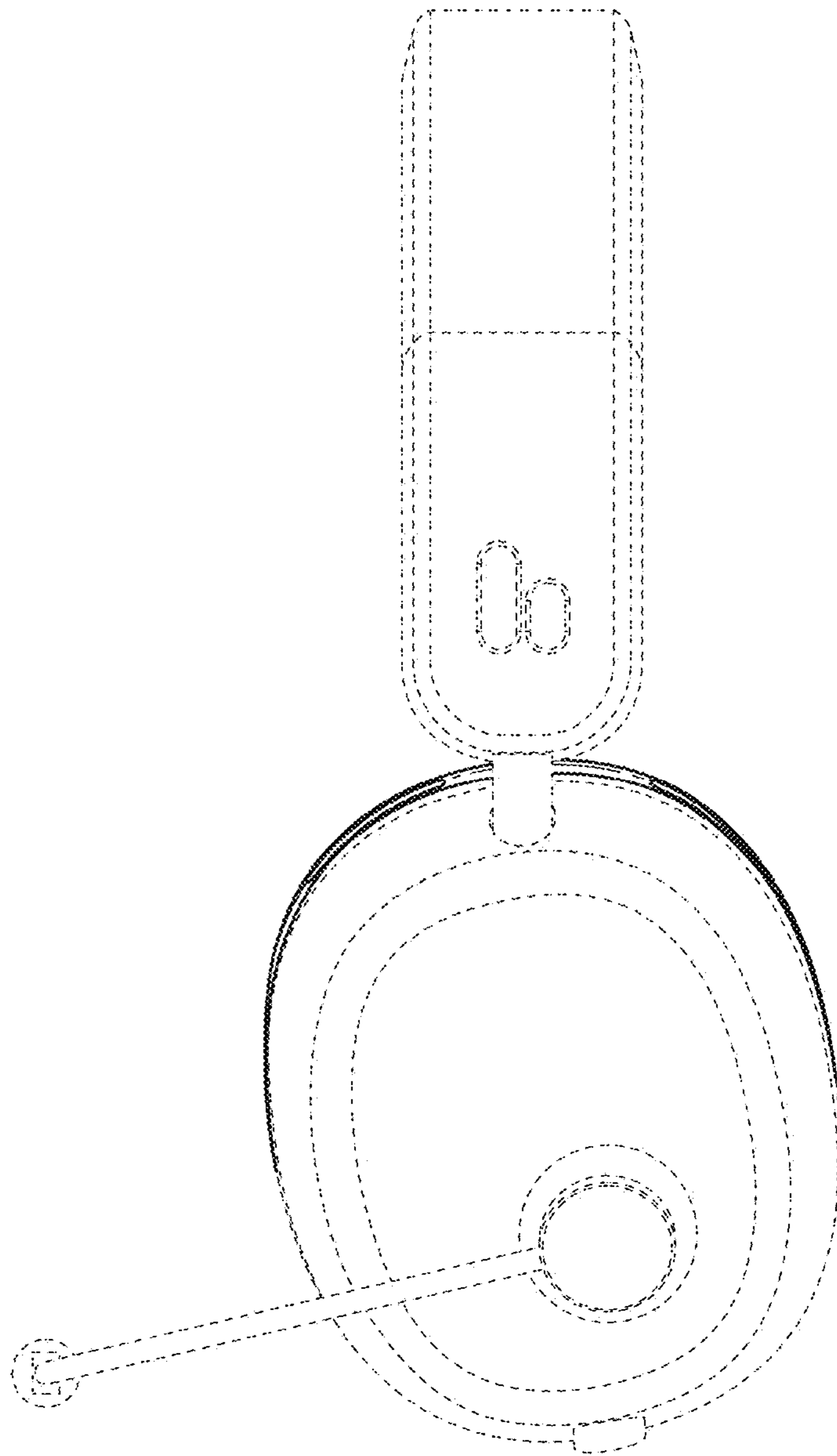


FIG. 5

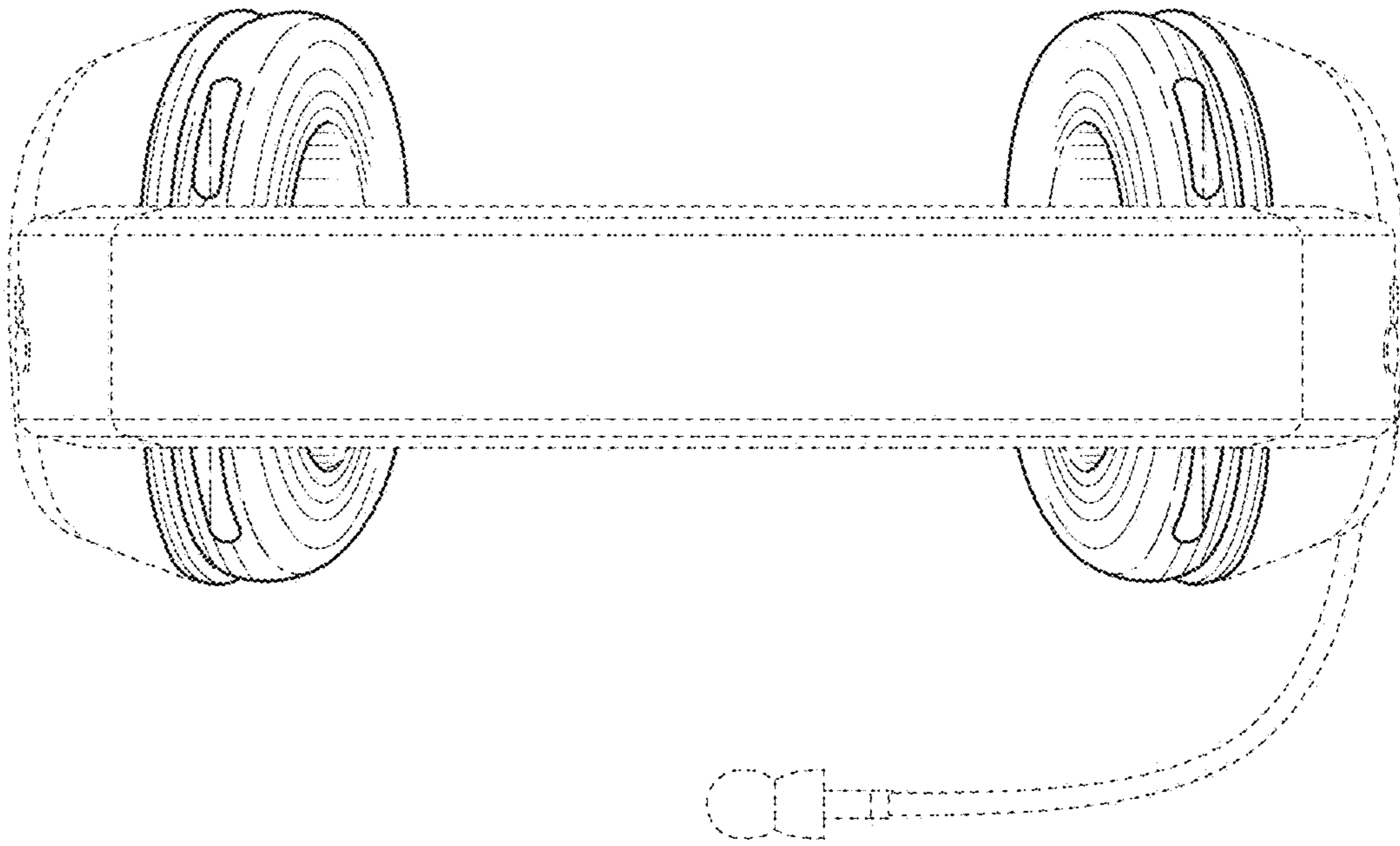


FIG. 6

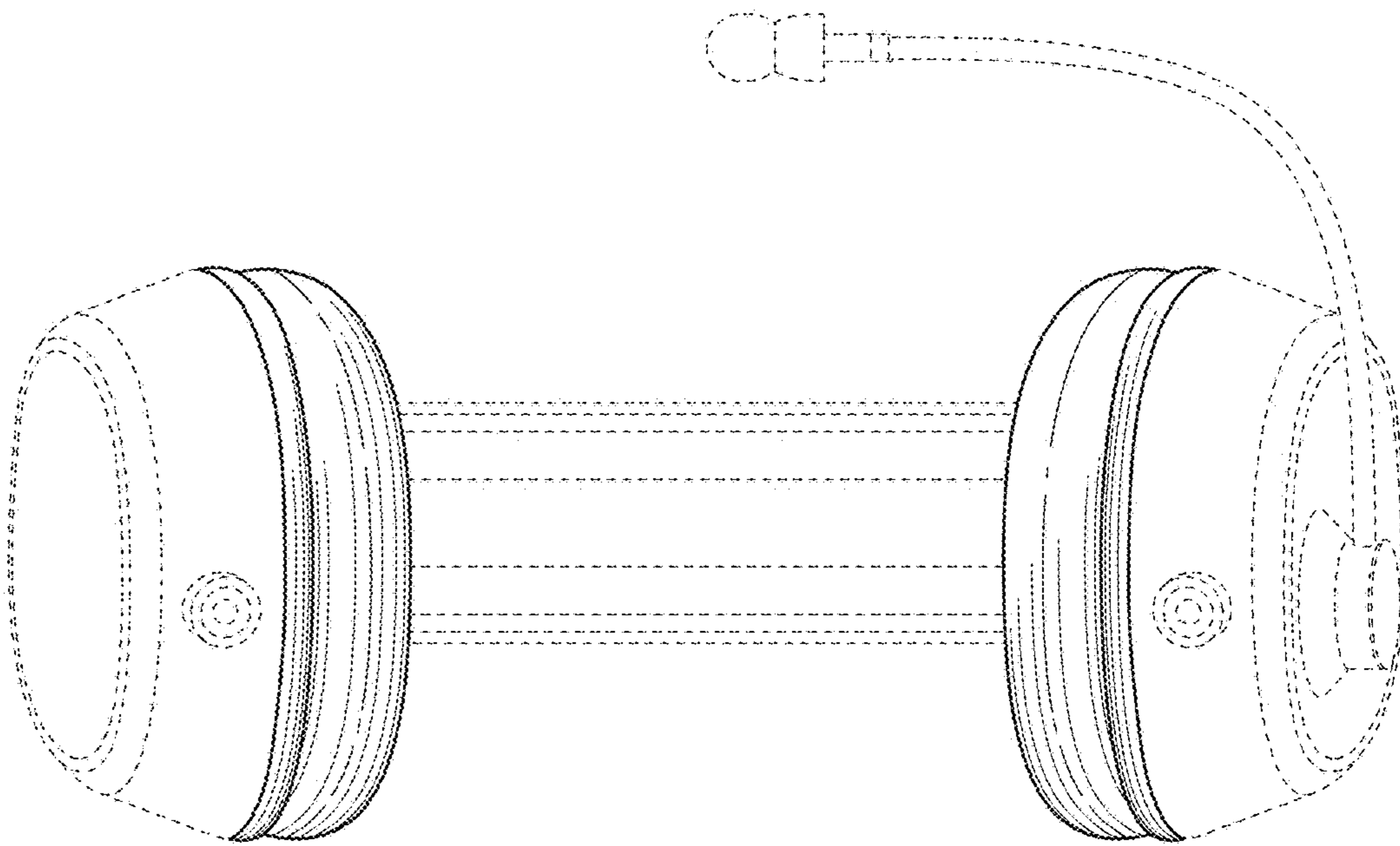


FIG. 7

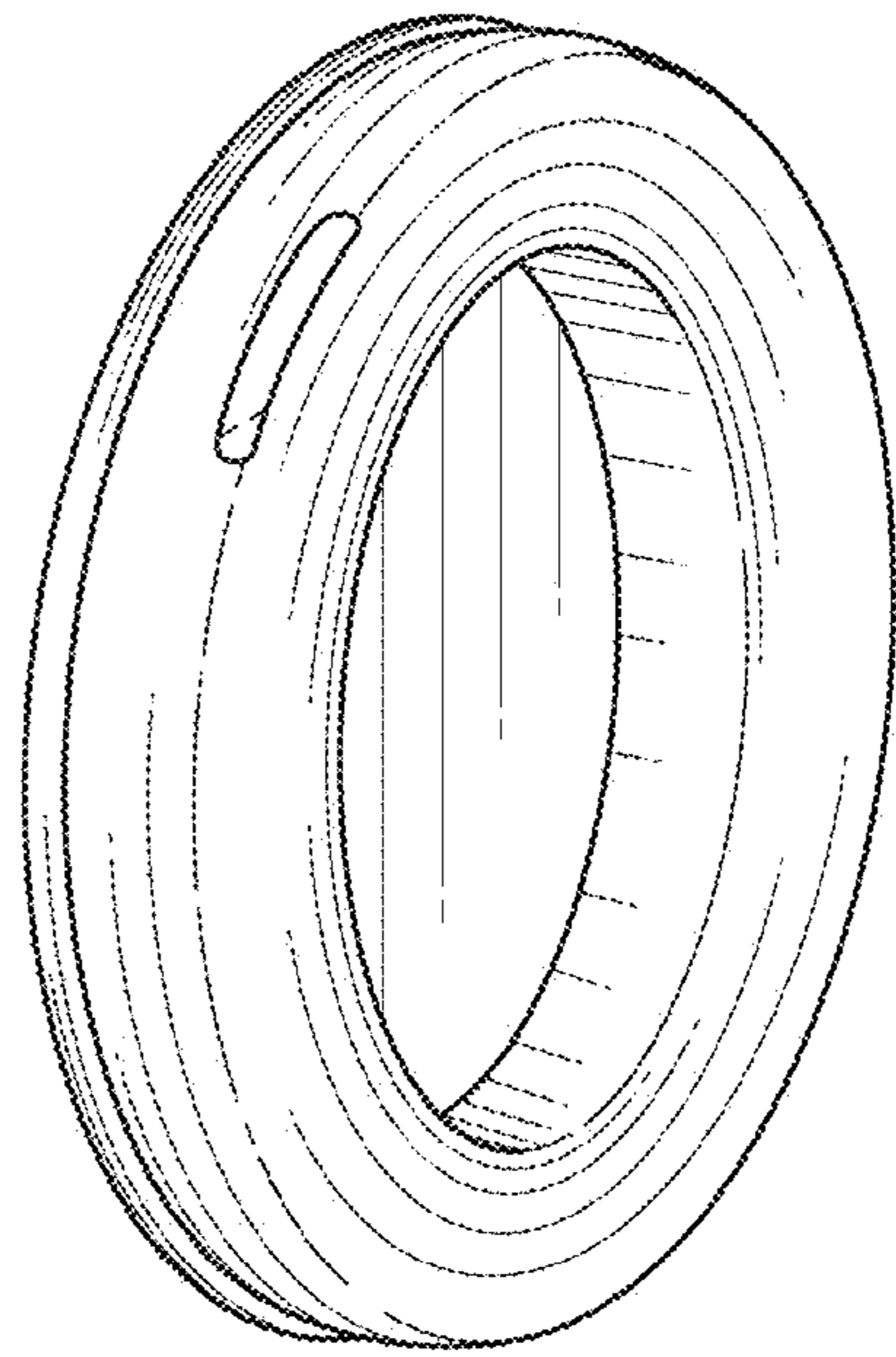


FIG. 8

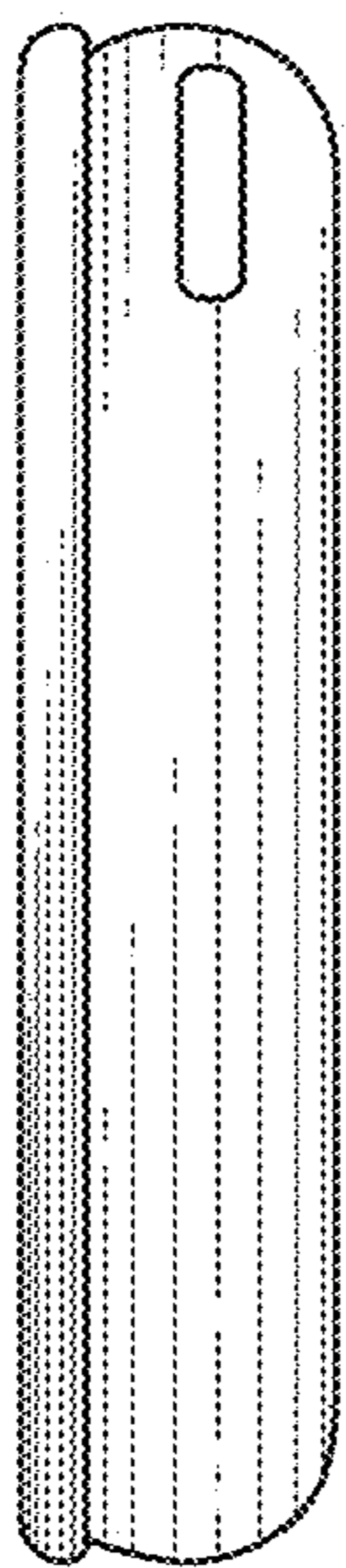


FIG. 9

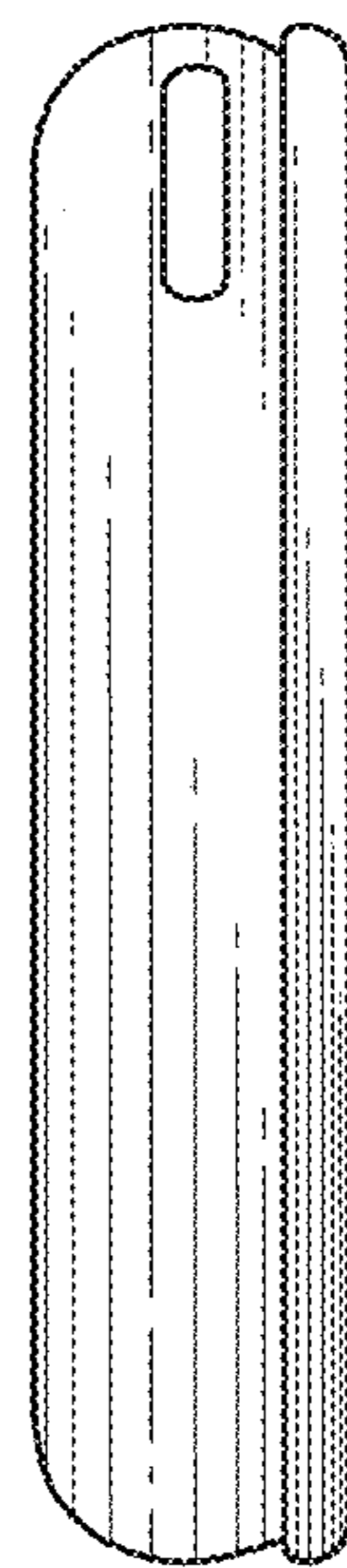


FIG. 10

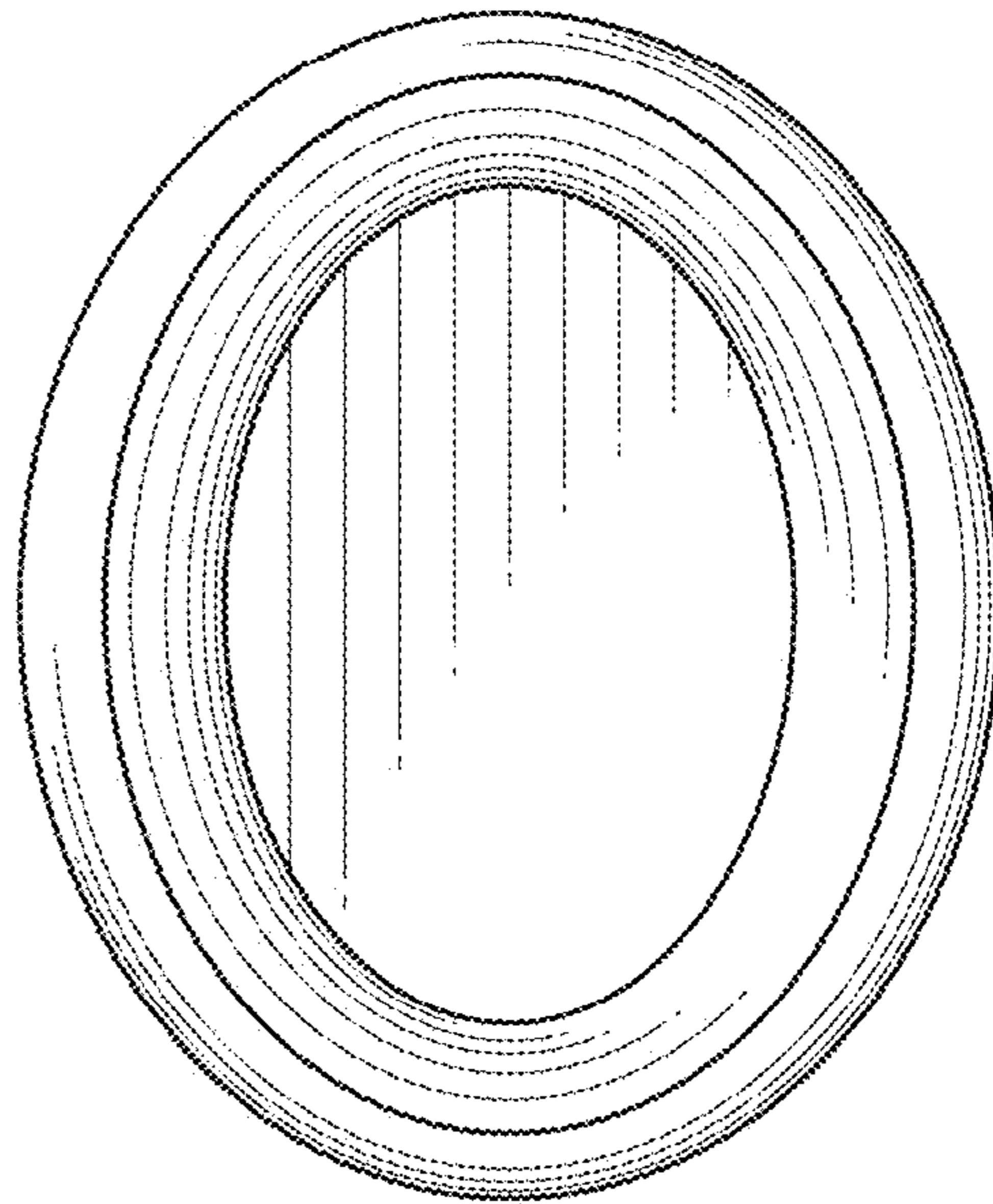


FIG. 11

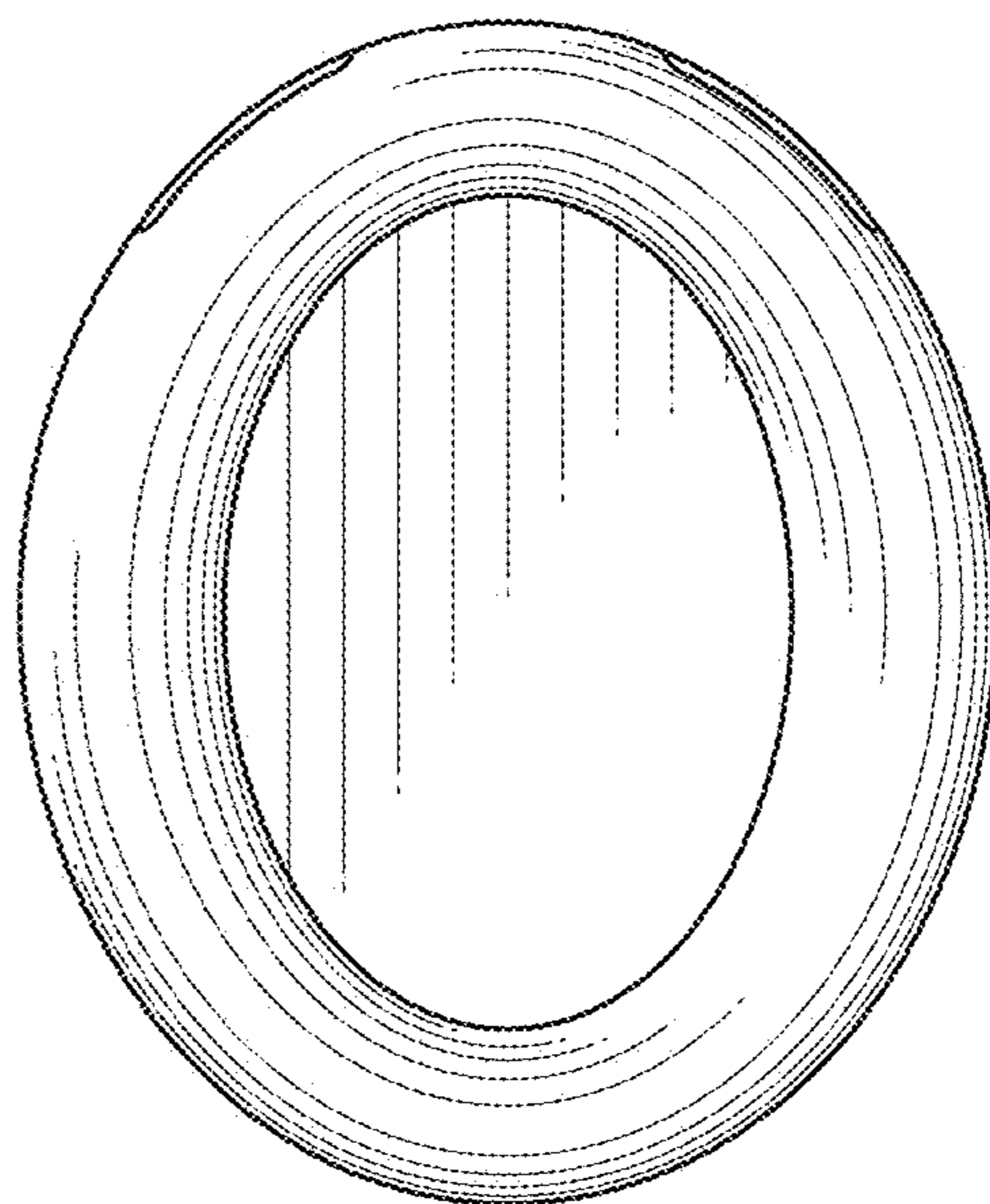


FIG. 12

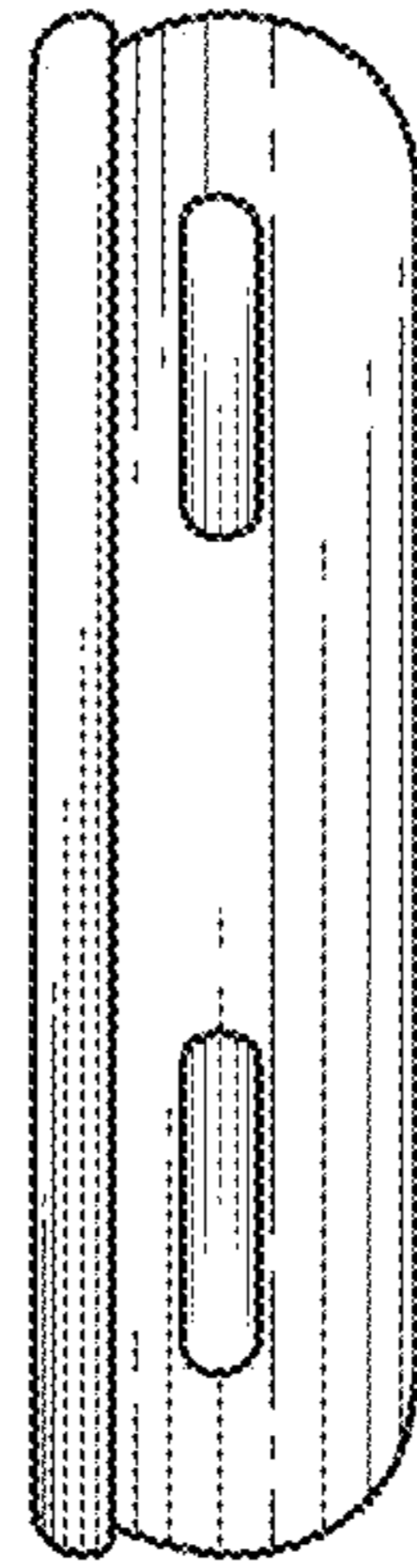


FIG. 13

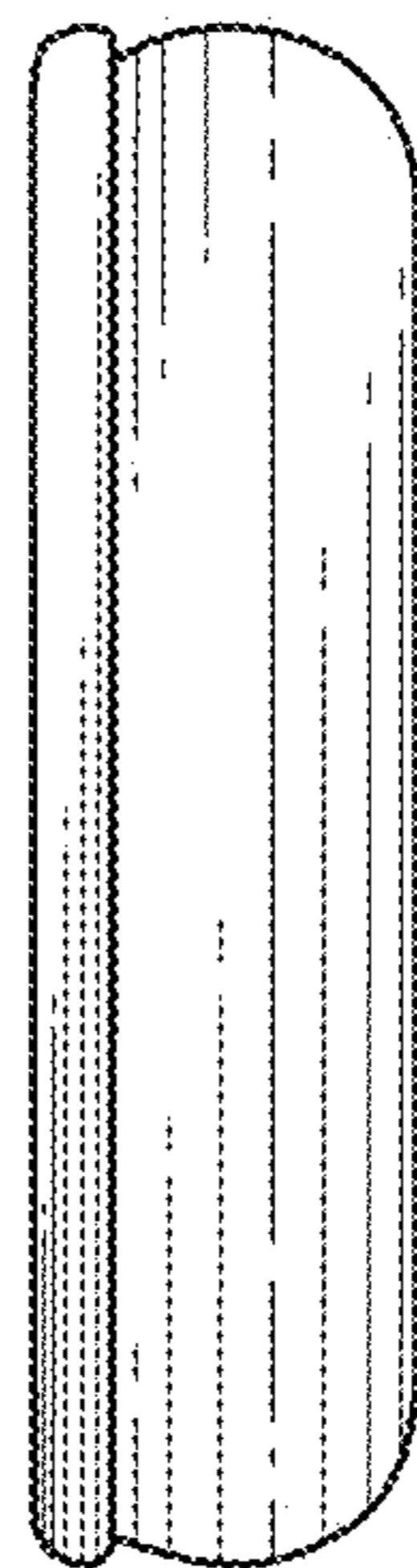


FIG. 14