



US00D776080S

(12) **United States Design Patent**  
**Enquist**

(10) **Patent No.:** **US D776,080 S**

(45) **Date of Patent:** **\*\* Jan. 10, 2017**

(54) **HEADPHONE HINGE**

(71) Applicant: **Zound Industries International AB,**  
Stockholm (SE)

(72) Inventor: **Andreas Enquist,** Hägersten (SE)

(73) Assignee: **Zound Industries International AB,**  
Stockholm (SE)

(\*\*) Term: **14 Years**

(21) Appl. No.: **29/522,369**

(22) Filed: **Mar. 30, 2015**

(30) **Foreign Application Priority Data**

Oct. 2, 2014 (EM) ..... 002549675

(51) **LOC (10) Cl.** ..... **14-01**

(52) **U.S. Cl.**  
USPC ..... **D14/205**

(58) **Field of Classification Search**

USPC ..... D14/205, 206, 223, 434, 251, 142, 447;  
D29/112, 110; 2/209, 10, 424, 41, 422;  
379/449, 454, 466, 455; 320/2; 381/168,  
381/381, 374, 380; 361/686; 224/483,  
224/540; 439/357; 455/575.2  
CPC ..... H04R 25/00; G06F 1/16; H01M 10/46;  
A42B 1/24; A42B 1/06; A42B  
3/04; A42B 3/08

See application file for complete search history.

(56) **References Cited**

**U.S. PATENT DOCUMENTS**

490,459 A \* 1/1893 Straus ..... A63B 49/08  
16/421  
2,058,208 A \* 10/1936 Blattner ..... H04R 1/30  
181/159  
D139,758 S \* 12/1944 Hoffman ..... D26/119  
3,225,147 A \* 12/1965 Dollinger ..... H04M 1/05  
379/449

3,249,873 A \* 5/1966 Whittemore, Jr. .... A42B 3/30  
181/137  
3,333,911 A \* 8/1967 Errichiello ..... H05K 5/0204  
248/552  
3,348,116 A \* 10/1967 Freeman ..... B26B 7/005  
320/115  
3,529,102 A \* 9/1970 Rosenstand ..... H04R 25/602  
381/323  
3,659,180 A \* 4/1972 Urbush ..... H01M 2/1055  
320/115

(Continued)

*Primary Examiner* — Paula Greene

(74) *Attorney, Agent, or Firm* — Capitol City TechLaw

(57) **CLAIM**

The ornamental design for a headphone hinge, as shown and described.

**DESCRIPTION**

FIG. 1 is a front, top, and left side perspective view of a headphone hinge in an open condition showing my new design;

FIG. 2 is a front view thereof;

FIG. 3 is a rear view thereof;

FIG. 4 is a top view thereof;

FIG. 5 is a bottom view thereof;

FIG. 6 is a left side view thereof;

FIG. 7 is a right side view thereof;

FIG. 8 is a front, top, and left side perspective view of a headphone hinge in a closed condition showing my new design;

FIG. 9 is a top view thereof;

FIG. 10 is a bottom view thereof;

FIG. 11 is a rear view thereof;

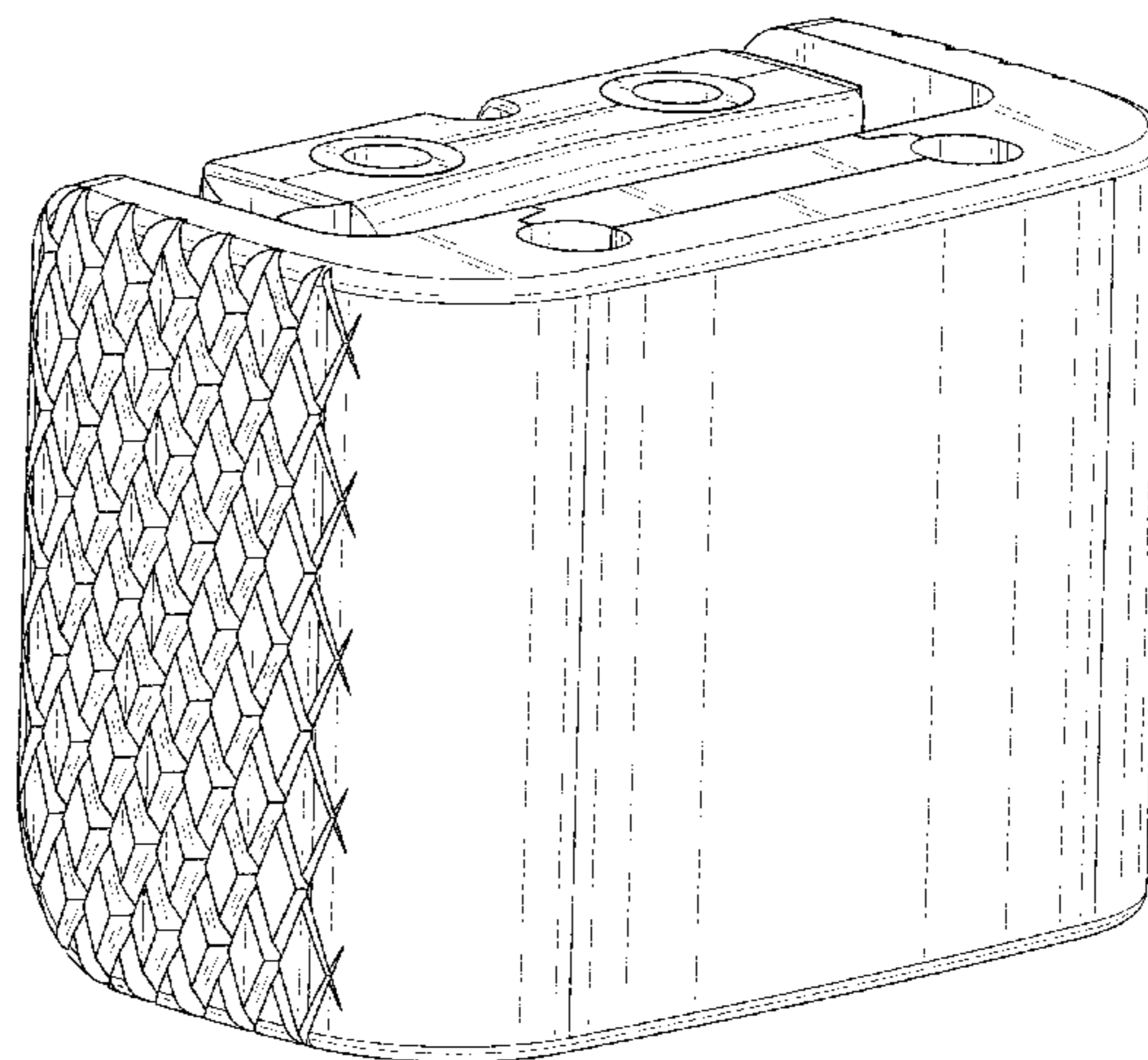
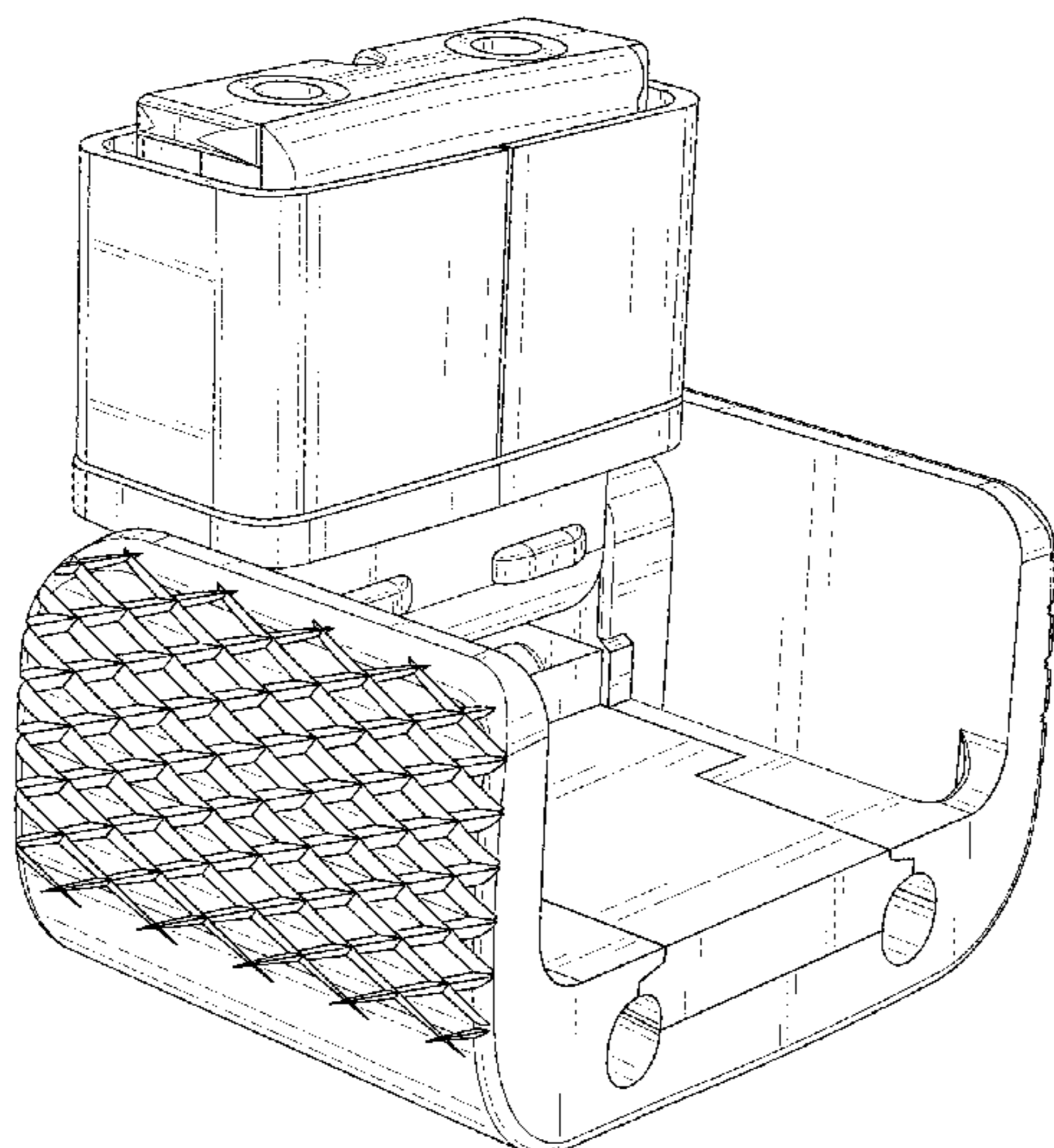
FIG. 12 is a front view thereof;

FIG. 13 is a left side view thereof; and,

FIG. 14 is a right side view thereof.

The broken lines shown in FIGS. 4 and 9 illustrate portions of the headphone hinge that form no part of the claimed design.

**1 Claim, 14 Drawing Sheets**



(56)

References Cited

U.S. PATENT DOCUMENTS

4,092,502 A \* 5/1978 Jones ..... H04M 1/05  
379/442  
4,170,792 A \* 10/1979 Higgs ..... F16C 11/10  
2/10  
4,442,551 A \* 4/1984 Hellberg ..... A42B 3/225  
2/10  
4,484,029 A \* 11/1984 Kenney ..... H04M 1/6066  
379/430  
4,754,484 A \* 6/1988 Larkin ..... H04M 1/05  
379/419  
4,788,724 A \* 12/1988 Lazzeroni ..... H04R 1/08  
2/422  
4,797,916 A \* 1/1989 Kojima ..... F16M 11/10  
248/183.2  
4,869,586 A \* 9/1989 Chung ..... A42B 1/247  
2/10  
D320,125 S \* 9/1991 Hacker ..... D7/395  
5,052,054 A \* 10/1991 Birum ..... A42B 1/061  
2/10  
5,253,292 A \* 10/1993 Fluder ..... H04M 1/04  
379/426  
5,261,124 A \* 11/1993 Day ..... A42B 1/247  
2/10  
RE34,525 E \* 2/1994 Lazzaroni ..... A42B 3/04  
2/422  
5,313,663 A \* 5/1994 Norris ..... H04B 1/086  
455/347  
5,365,159 A \* 11/1994 Chen ..... H02J 7/0045  
320/113  
D354,041 S \* 1/1995 Scheid ..... D13/108  
D357,946 S \* 5/1995 Ho ..... D14/223  
D362,004 S \* 9/1995 Nakano ..... D14/149

D369,555 S \* 5/1996 Heinz ..... D9/545  
5,590,209 A \* 12/1996 Pratt ..... H04R 1/083  
2/422  
5,627,727 A \* 5/1997 Aguilera ..... G06F 1/1626  
361/679.43  
5,730,342 A \* 3/1998 Tien ..... A45F 5/02  
224/197  
D461,390 S \* 8/2002 Livingston ..... D8/303  
D479,224 S \* 9/2003 Jeong ..... D14/206  
6,914,995 B2 \* 7/2005 Kao ..... G11B 31/00  
379/433.02  
D520,943 S \* 5/2006 Imai ..... D13/108  
7,436,952 B2 \* 10/2008 Darbut ..... H04R 1/08  
379/430  
7,461,936 B2 \* 12/2008 Jannard ..... G02C 3/003  
351/158  
D593,716 S \* 6/2009 Strauss ..... D30/156  
7,669,829 B2 \* 3/2010 Ogatsu ..... B60R 11/0241  
248/309.1  
D618,669 S \* 6/2010 Johnson ..... D14/223  
D621,388 S \* 8/2010 Koss ..... D14/223  
D627,338 S \* 11/2010 Koss ..... D14/223  
D633,482 S \* 3/2011 Koss ..... D14/223  
8,103,040 B2 \* 1/2012 Pelland ..... H04R 1/1041  
381/374  
D677,248 S \* 3/2013 Yoon ..... D14/223  
D736,177 S \* 8/2015 Winters ..... D14/192  
D743,947 S \* 11/2015 Yoshimura ..... D14/223  
2004/0063456 A1 \* 4/2004 Griffin ..... H04B 1/3877  
455/550.1  
2005/0202857 A1 \* 9/2005 Seshadri ..... H04M 1/05  
455/575.2  
2011/0314594 A1 \* 12/2011 Rogers ..... A42B 3/04  
2/421

\* cited by examiner

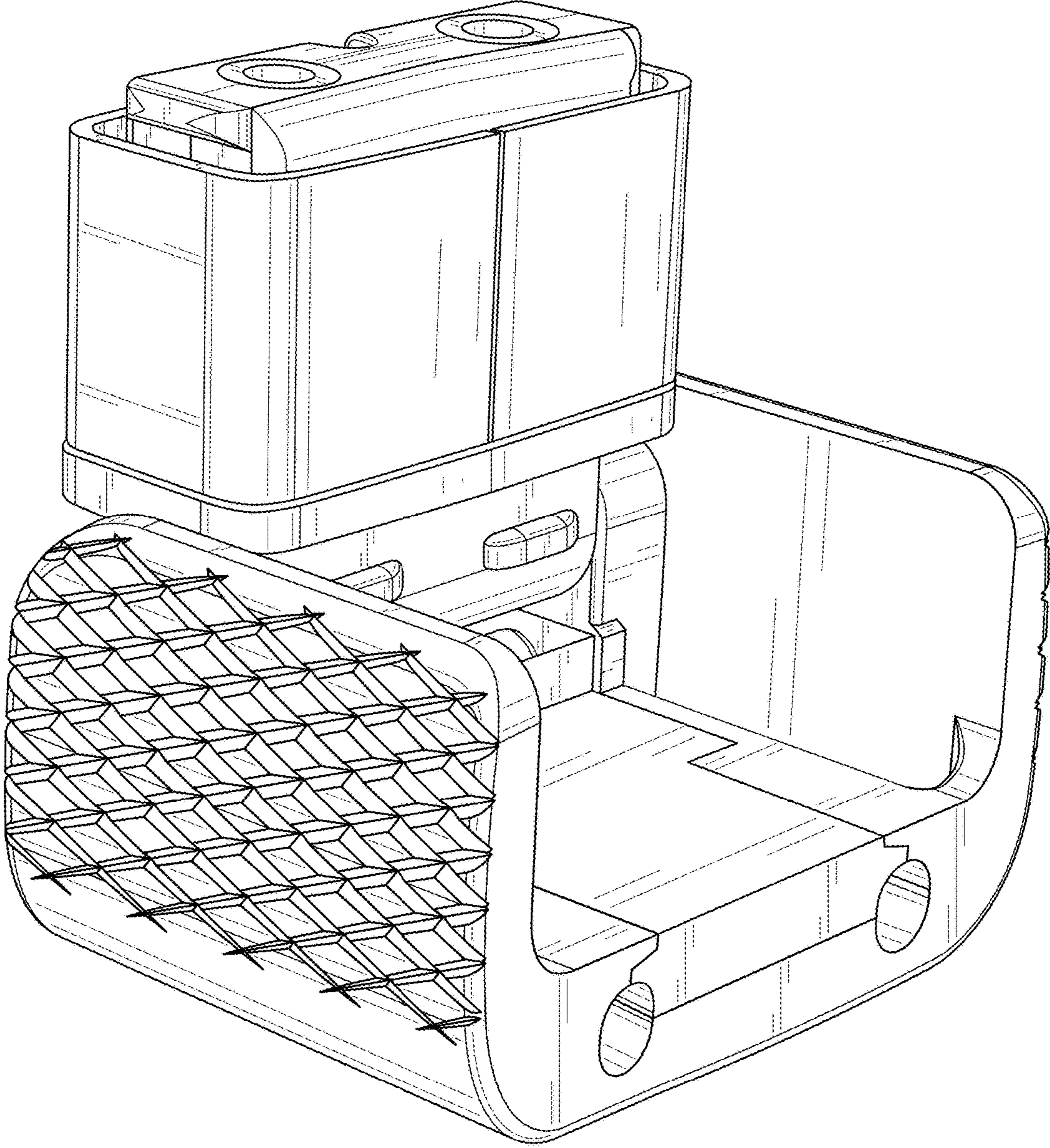


FIG. 1

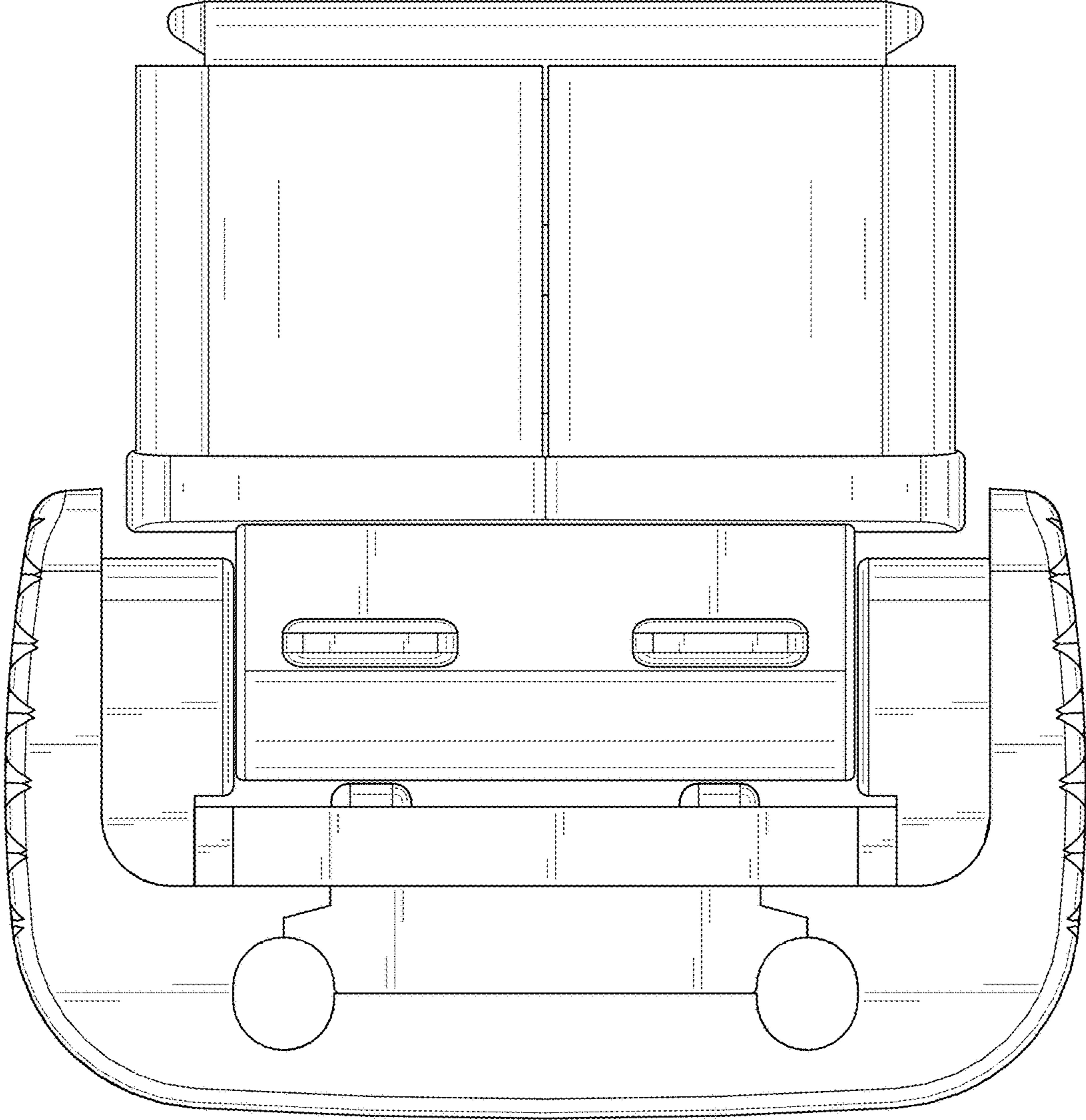


FIG. 2

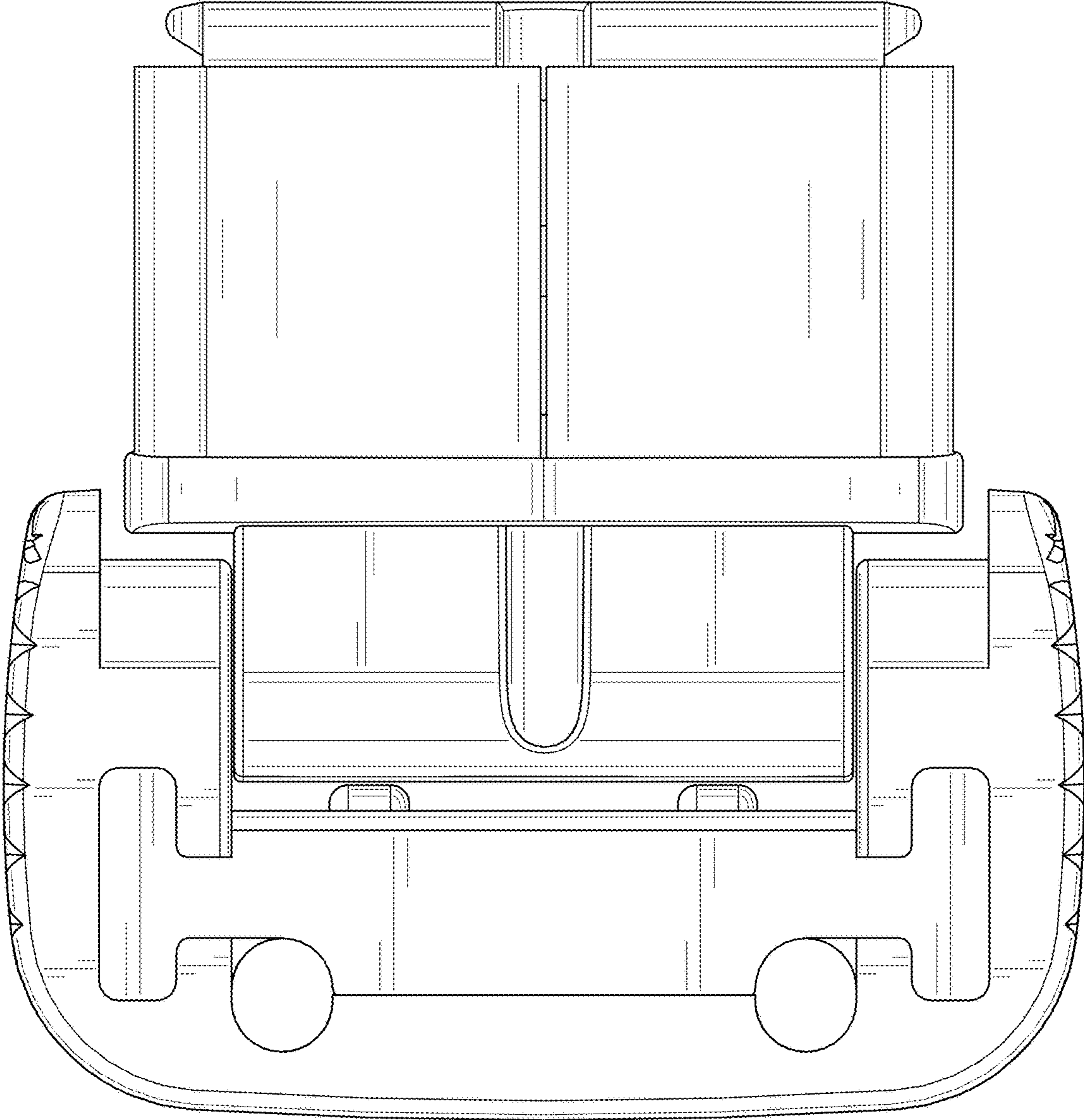


FIG. 3

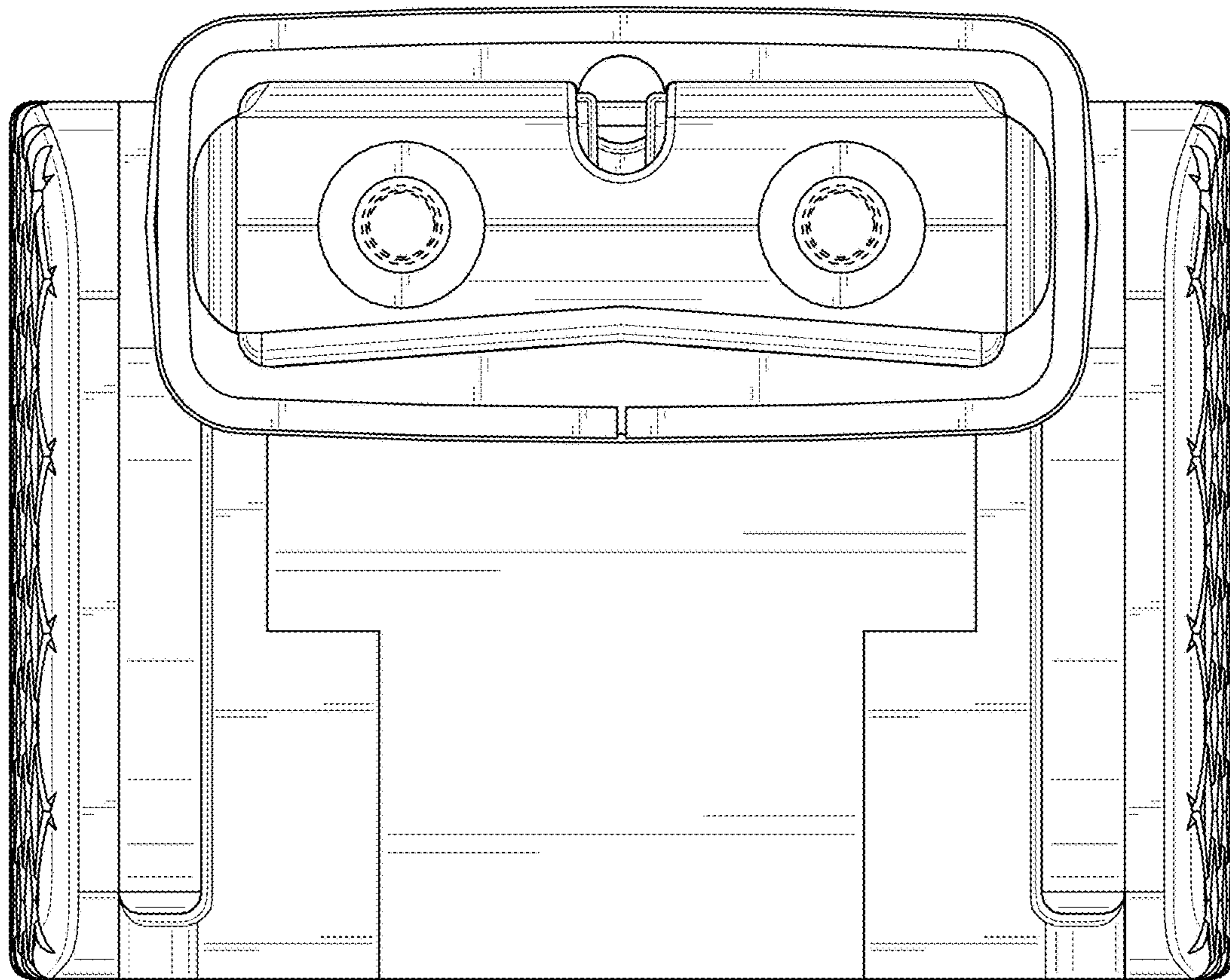


FIG. 4

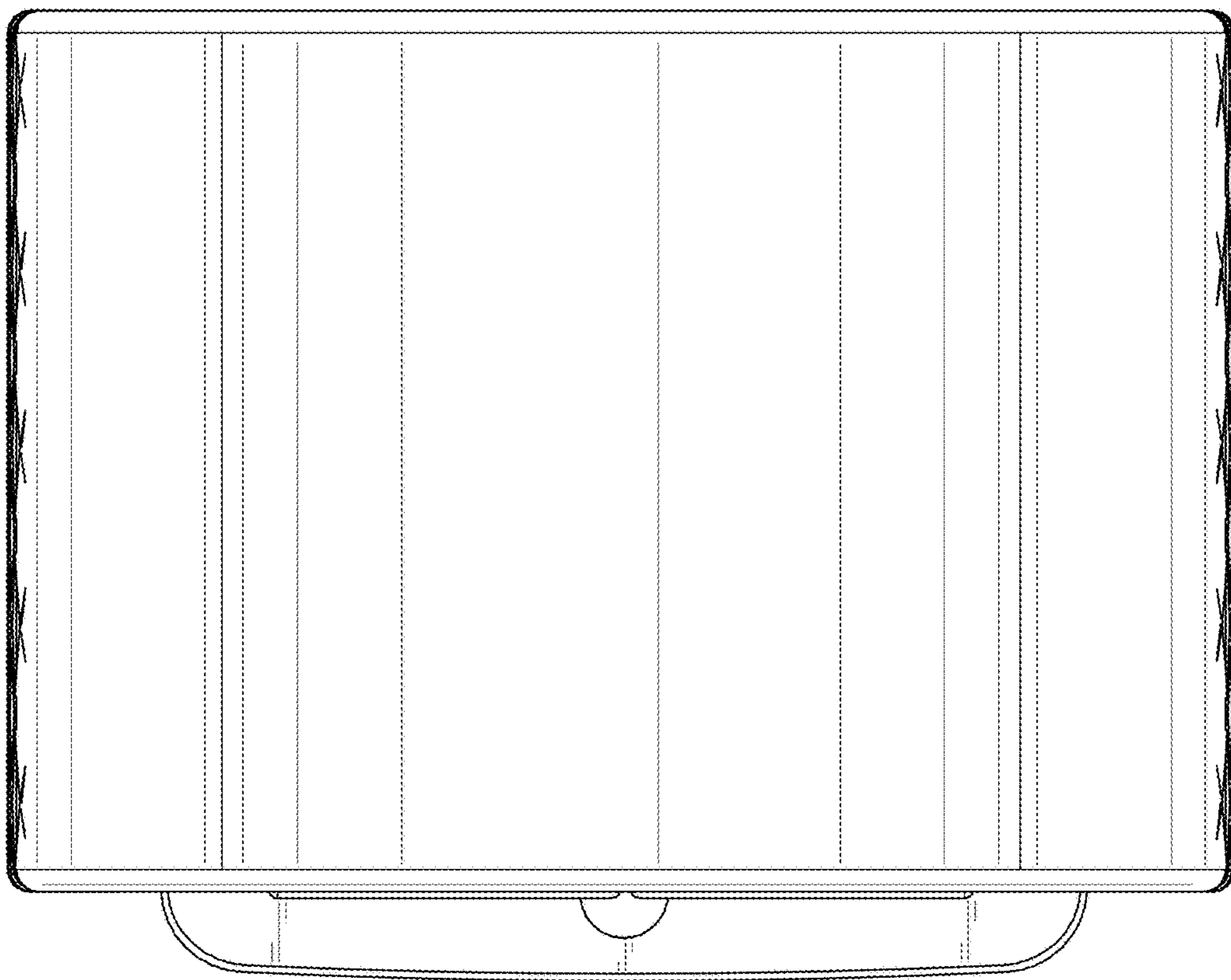


FIG. 5

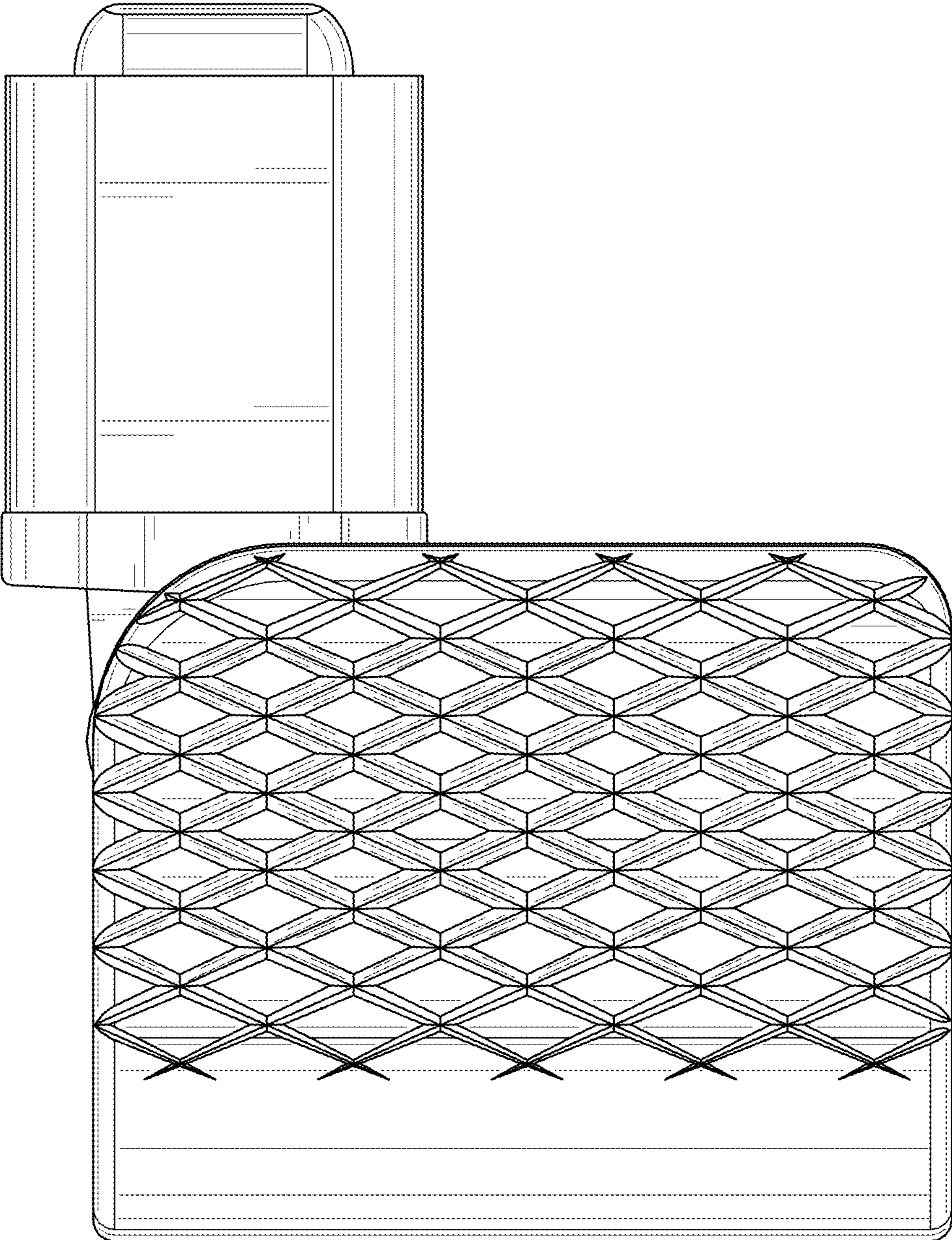


FIG. 6



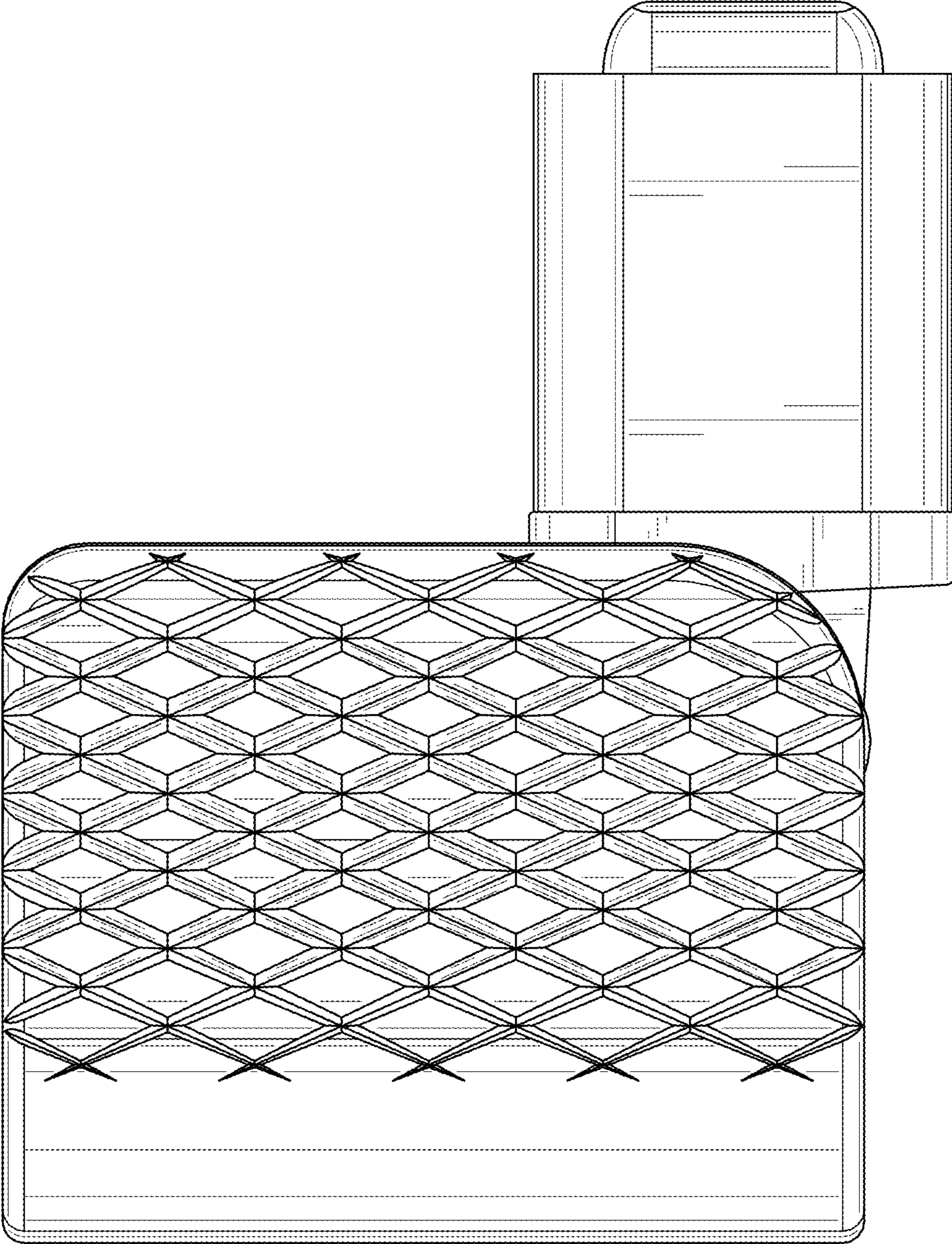


FIG. 7

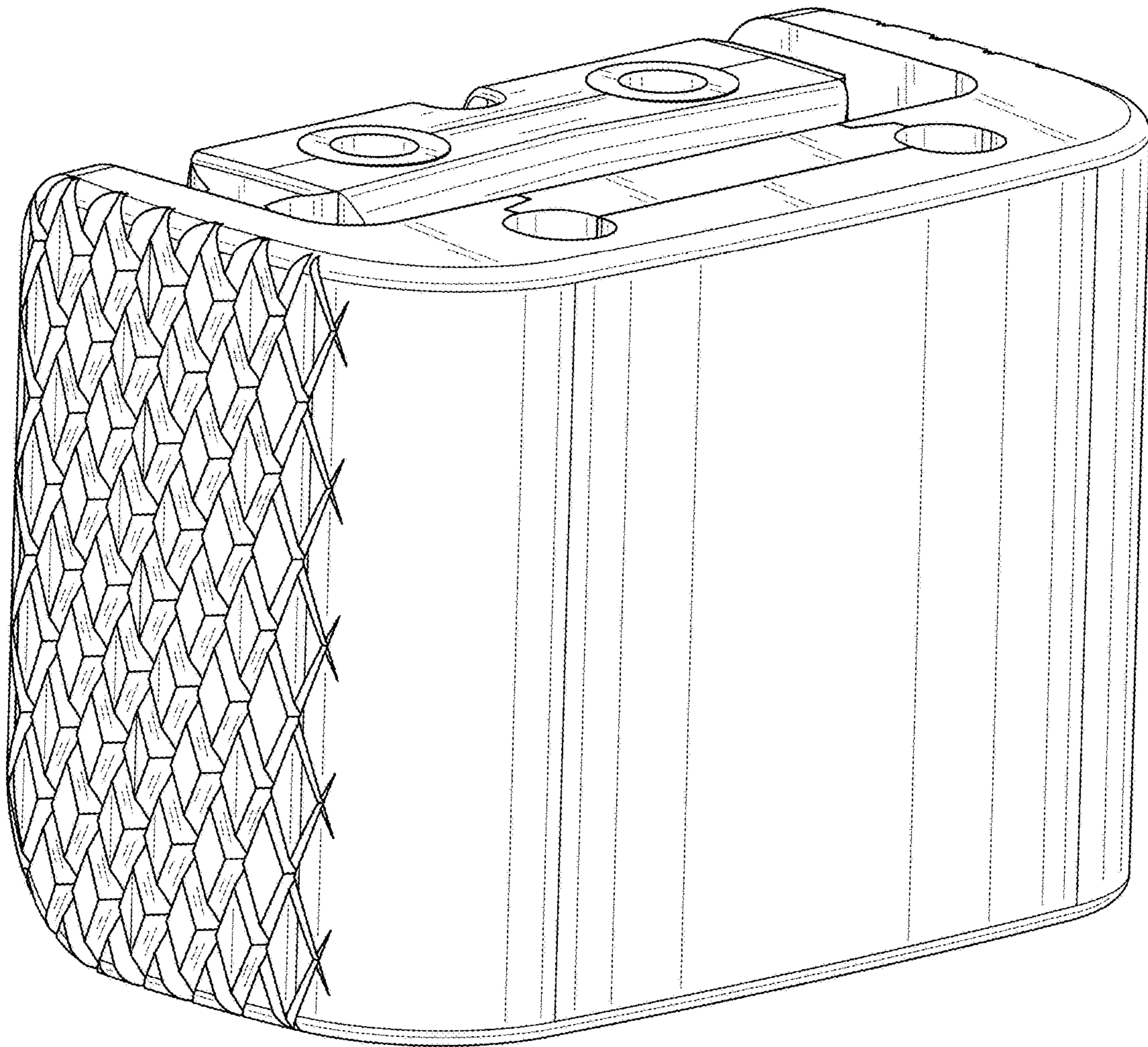


FIG. 8

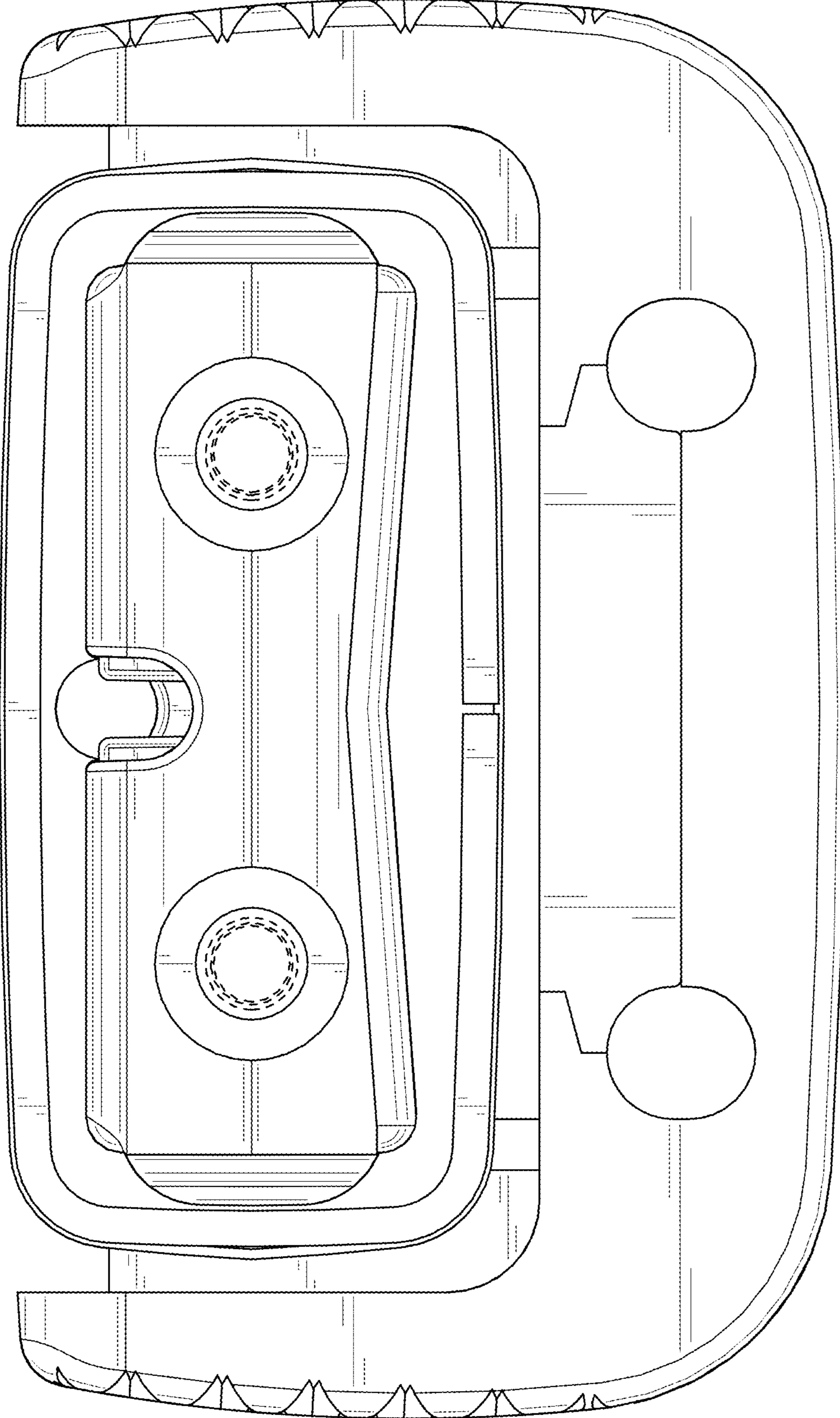


FIG. 9

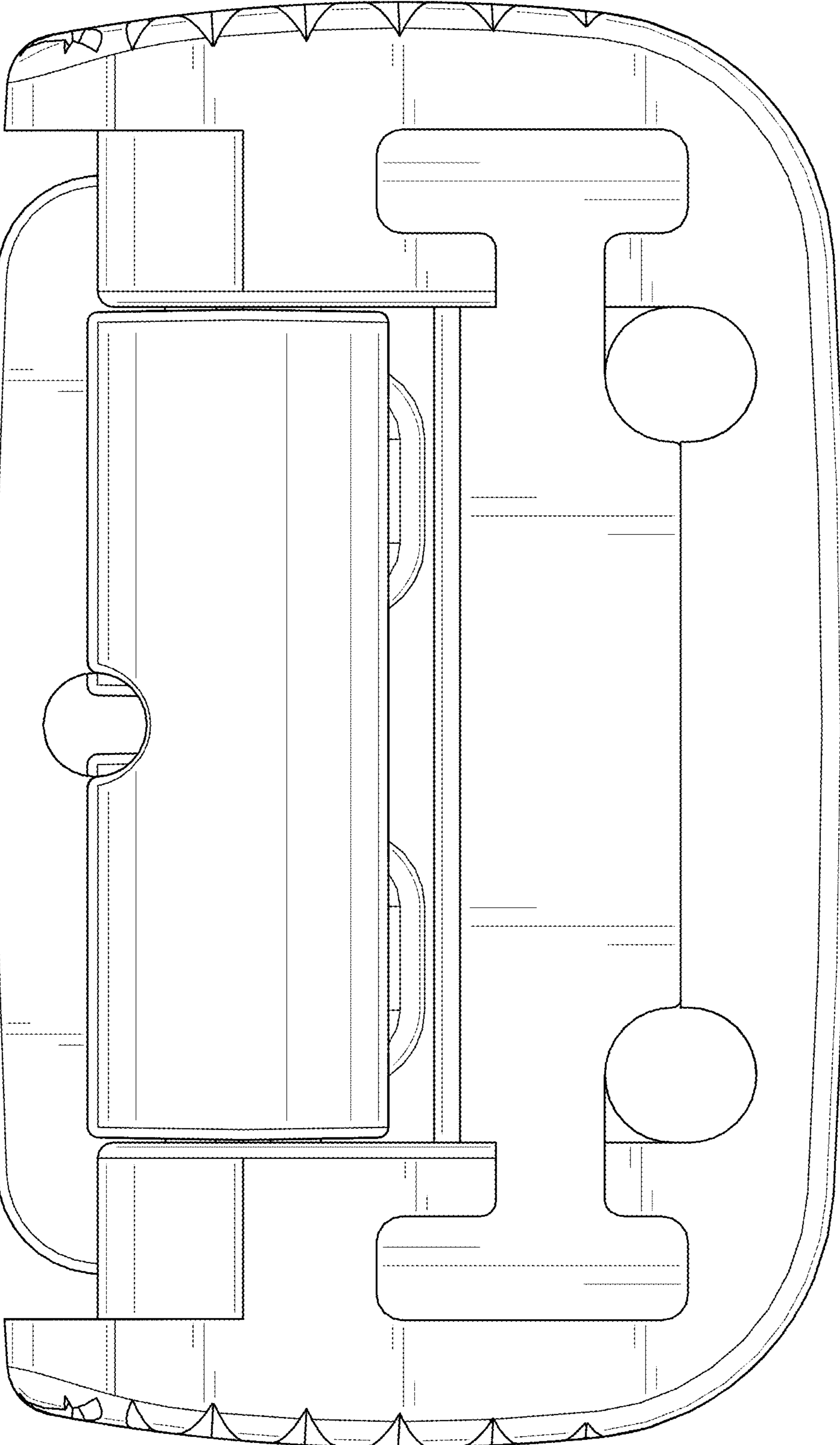


FIG. 10

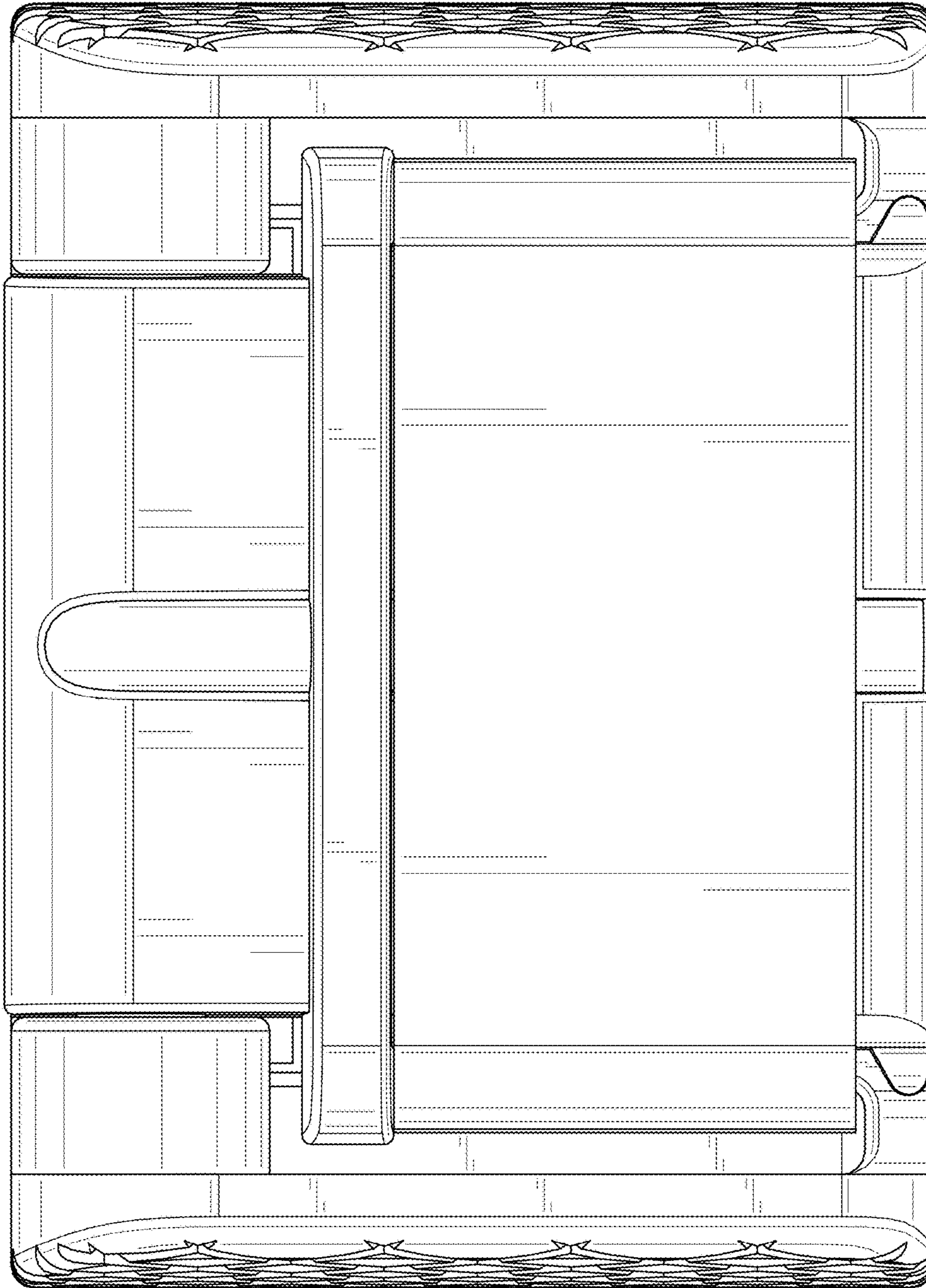


FIG. 11

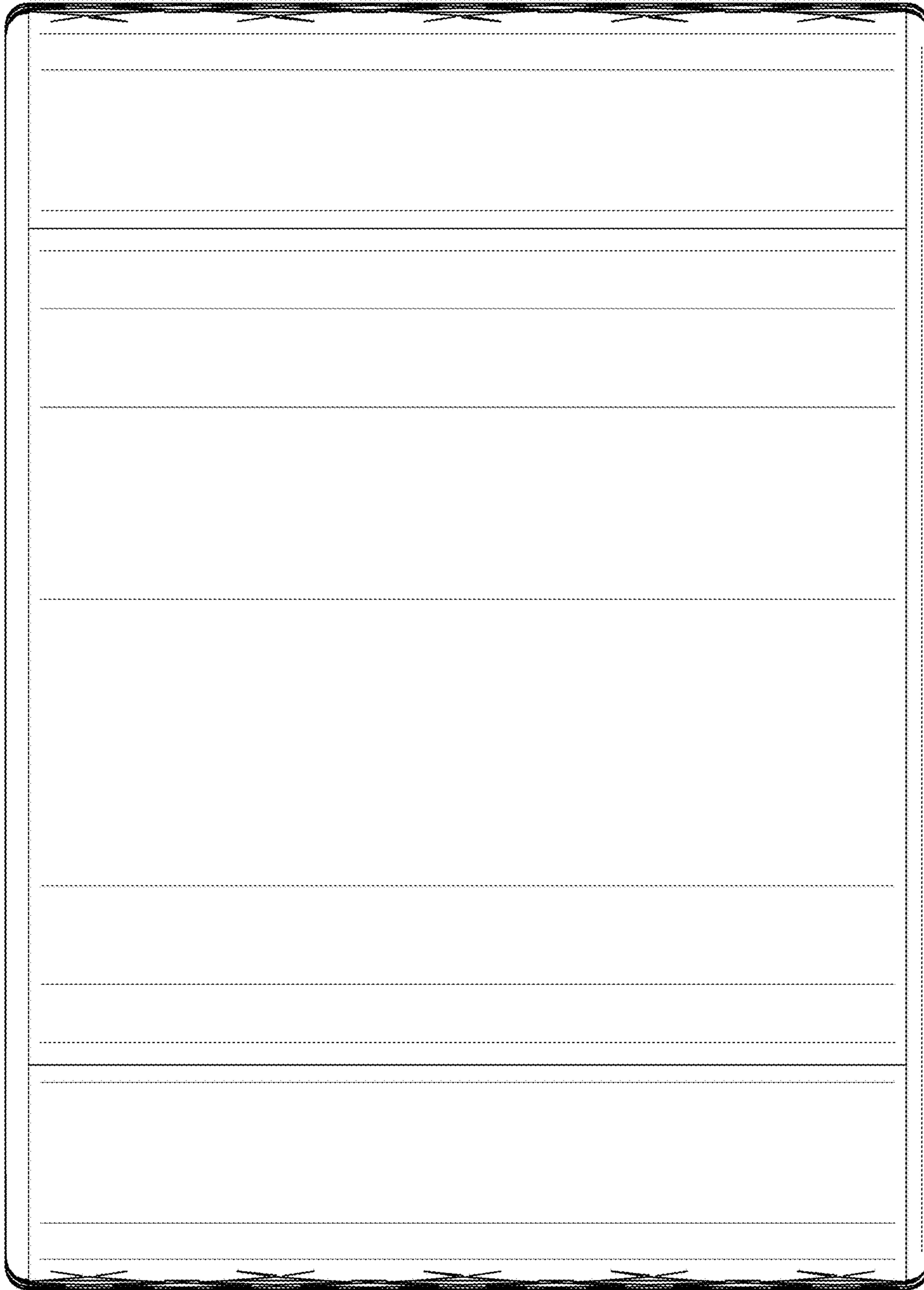


FIG. 12

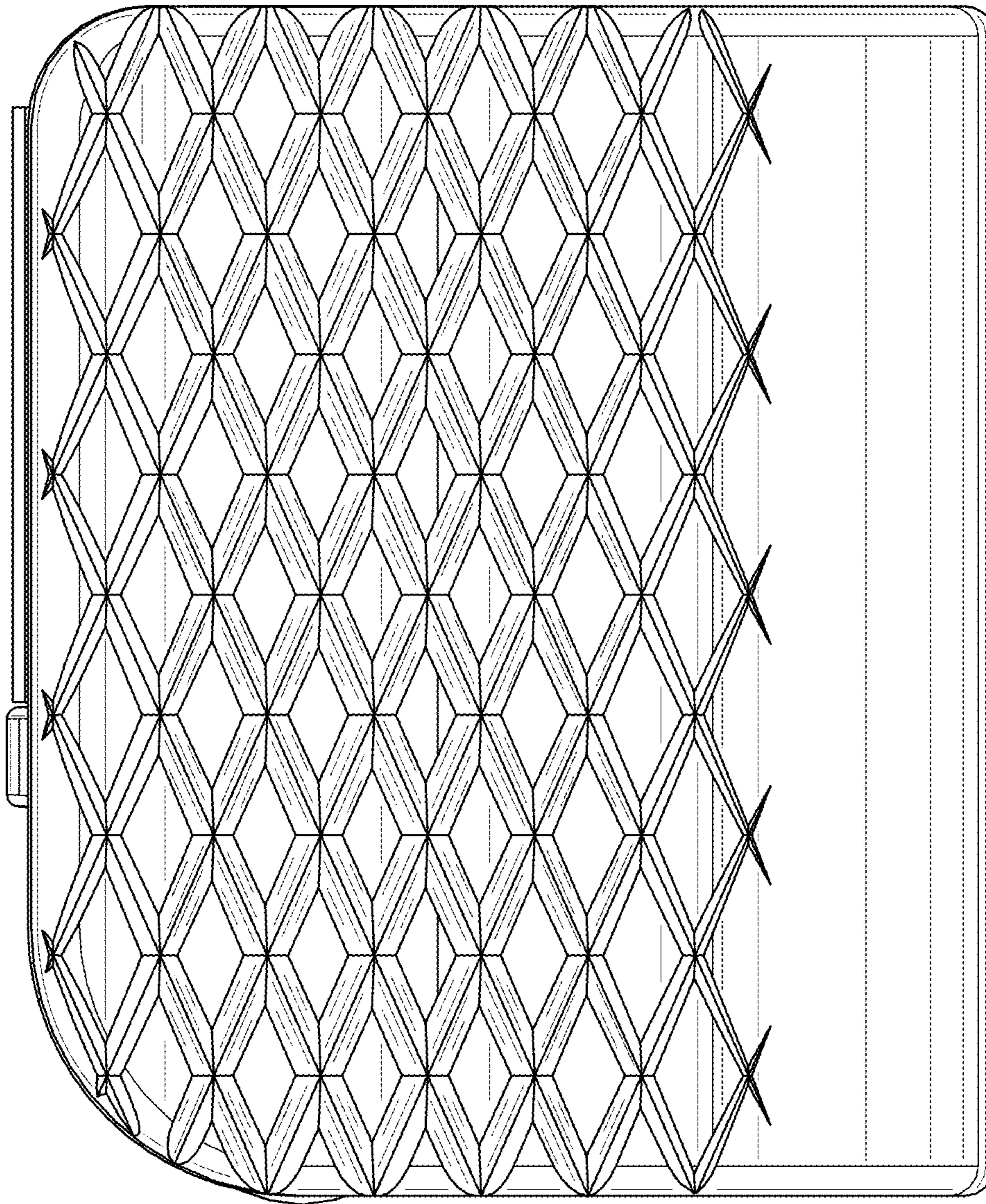


FIG. 13

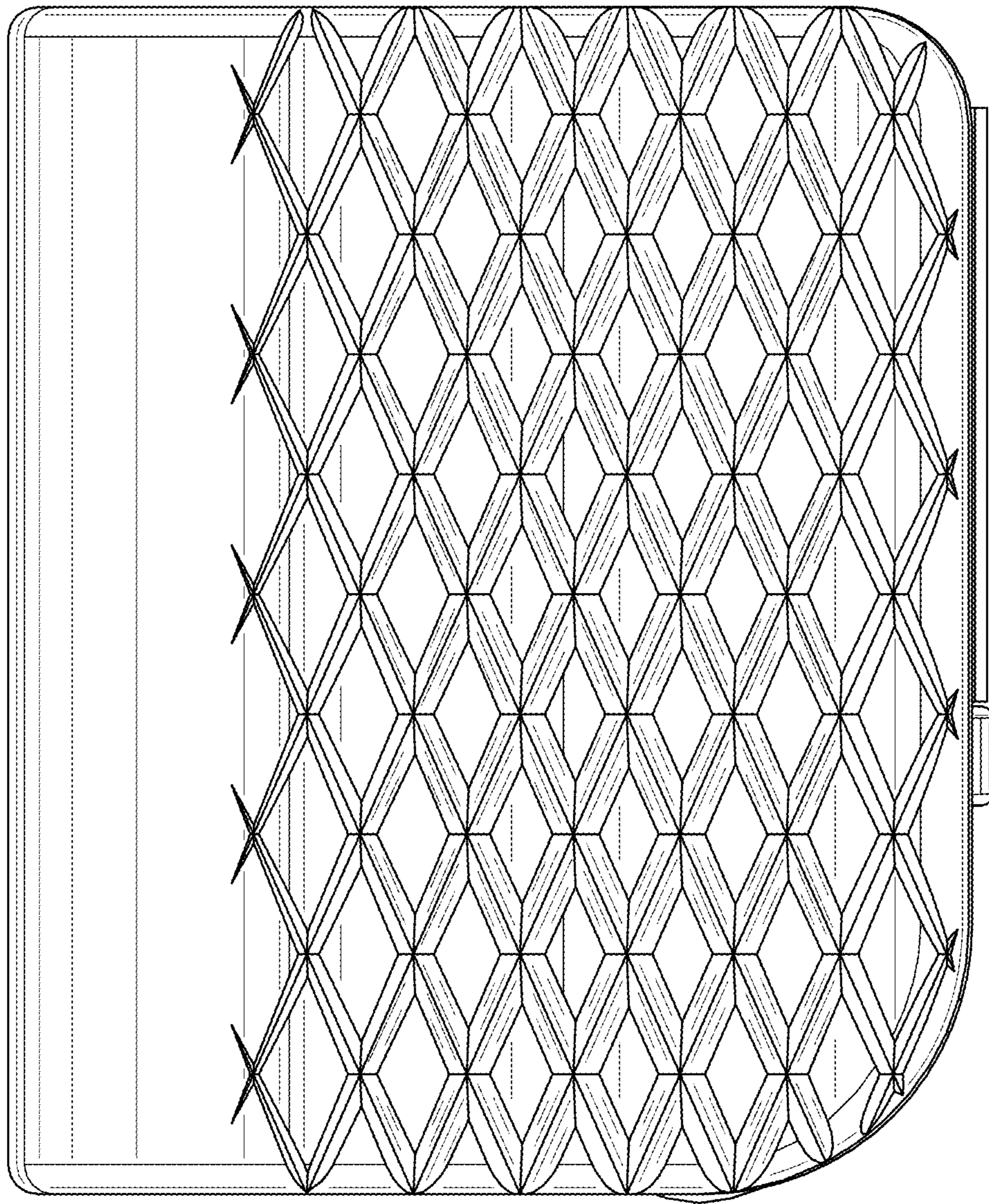


FIG. 14