



US00D776078S

(12) **United States Design Patent** (10) **Patent No.:** **US D776,078 S**
Williamson et al. (45) **Date of Patent:** **** Jan. 10, 2017**

(54) **AMPLIFIER**

(71) Applicant: **Bose Corporation**, Framingham, MA (US)

(72) Inventors: **Paul C. Williamson**, Providence, RI (US); **Robert A. Warden**, Southborough, MA (US)

(73) Assignee: **Bose Corporation**, Framingham, MA (US)

(**) Term: **15 Years**

(21) Appl. No.: **29/530,413**

(22) Filed: **Jun. 16, 2015**

(51) **LOC (10) Cl.** **14-03**

(52) **U.S. Cl.**
USPC **D14/188**

(58) **Field of Classification Search**
USPC D14/162, 167-169, 175, 179, 188,
D14/194-198, 217, 257, 265, 299, 496;
330/1 R, 3, 4, 250; 381/86, 120;
455/344-351

CPC .. B60R 11/02; B60R 11/0205; B60R 11/0217;
G10K 9/22; G10K 15/04; H03F
1/26; H03F 1/3247; H03F 3/24; H03F
3/181; H03F 3/189; H03F 3/45197; H03F
2200/03; H03F 2200/324; H03F
2200/336; H03F 2200/543; H03F
2203/45488; H03G 3/02; H03G
3/20; H04R 1/02; H04R 3/00; H04R 3/12;
H04R 2420/07; H04R 2499/13

See application file for complete search history.

(56) **References Cited**

U.S. PATENT DOCUMENTS

D436,351 S *	1/2001	Asai	D14/188
D438,192 S *	2/2001	Asai	D14/188
D578,505 S *	10/2008	Tejima	D14/188
D648,313 S *	11/2011	Nardin	D14/188
D662,910 S *	7/2012	Warden	D14/188
D691,554 S *	10/2013	Tanaka	D13/110
D742,352 S *	11/2015	Nardin	D14/188
D746,254 S *	12/2015	Ito	D14/188

* cited by examiner

Primary Examiner — Keli L Hill

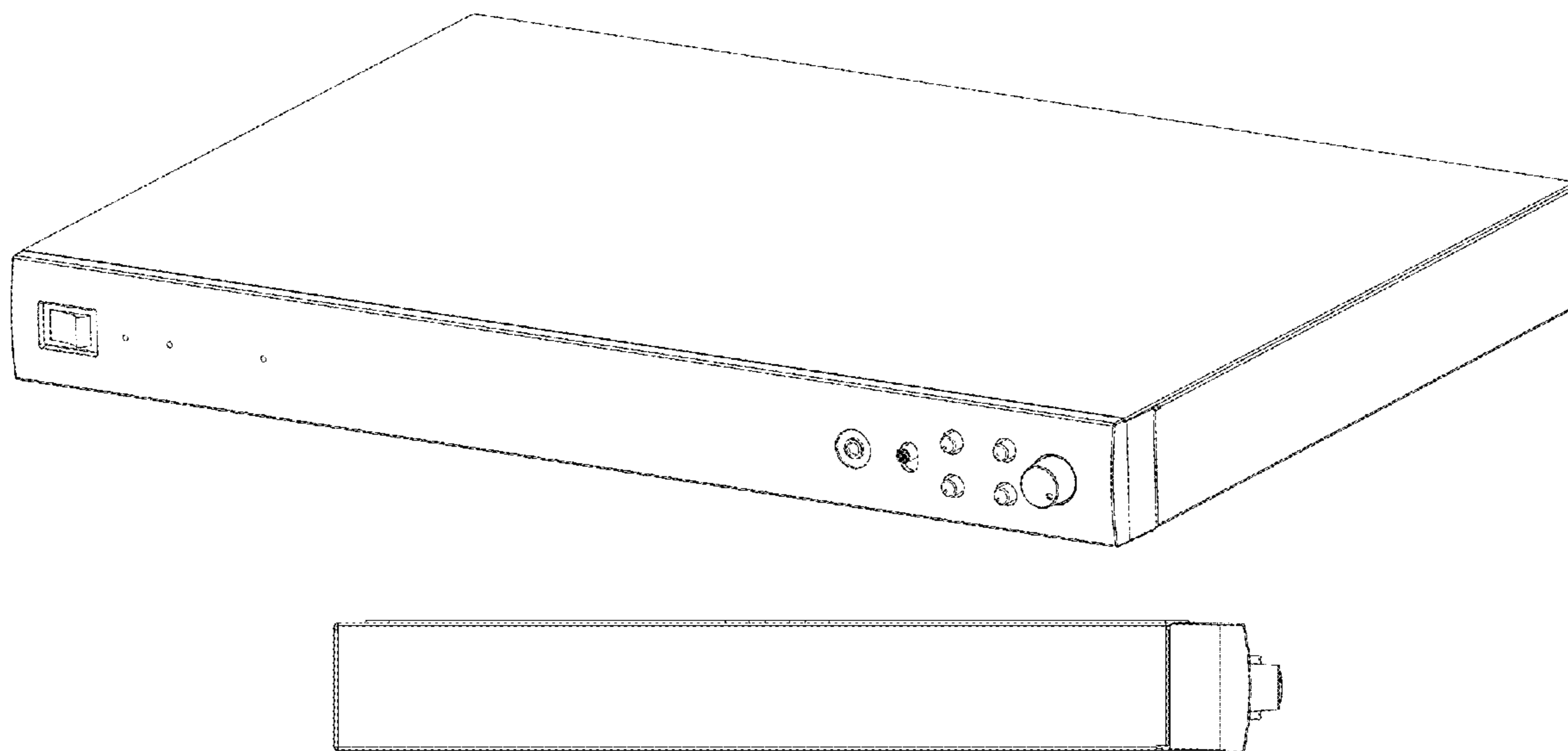
(57) **CLAIM**

The ornamental design for an amplifier, substantially as shown and described.

DESCRIPTION

FIG. 1 is a perspective view of an amplifier, showing our new design;
FIG. 2 is a top view thereof;
FIG. 3 is a bottom view thereof;
FIG. 4 is a right side view thereof;
FIG. 5 is a left side view thereof;
FIG. 6 is a front view thereof; and,
FIG. 7 is a rear view thereof.

1 Claim, 7 Drawing Sheets



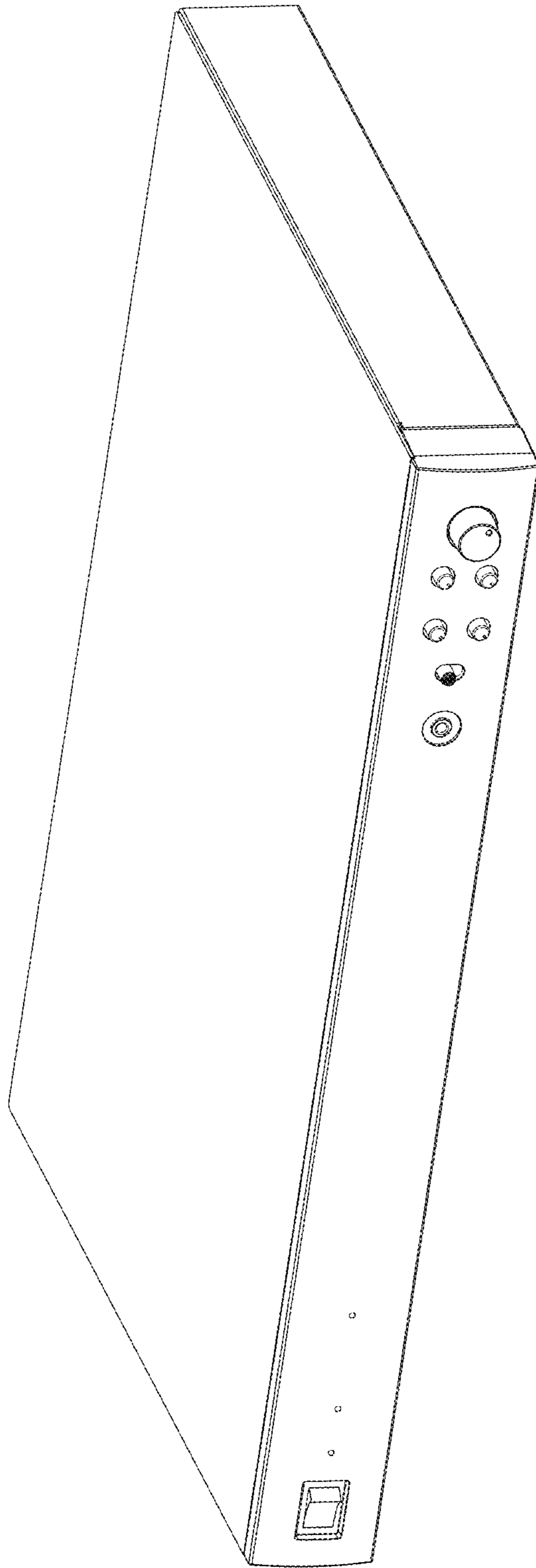


FIG. 1

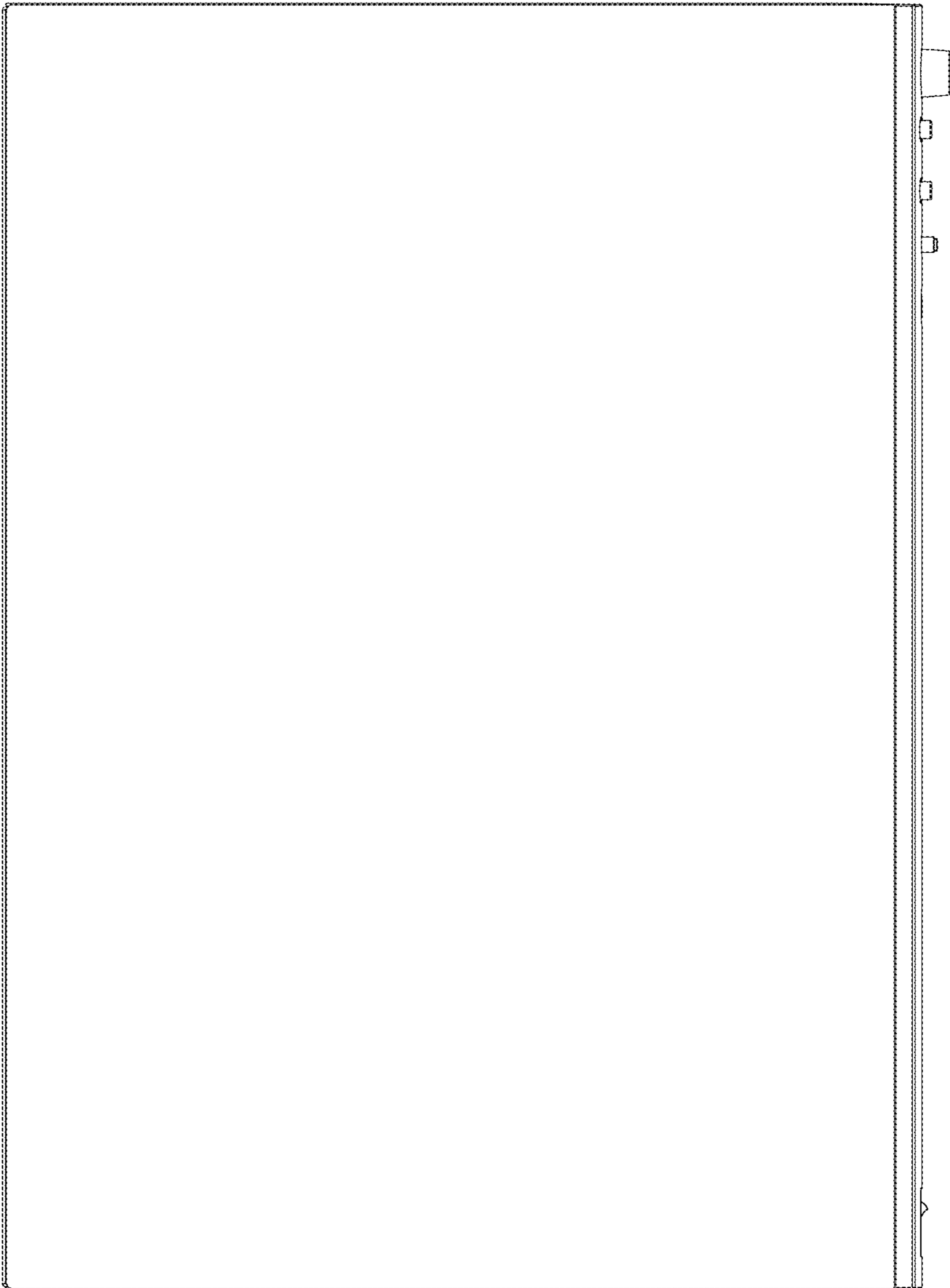


FIG. 2

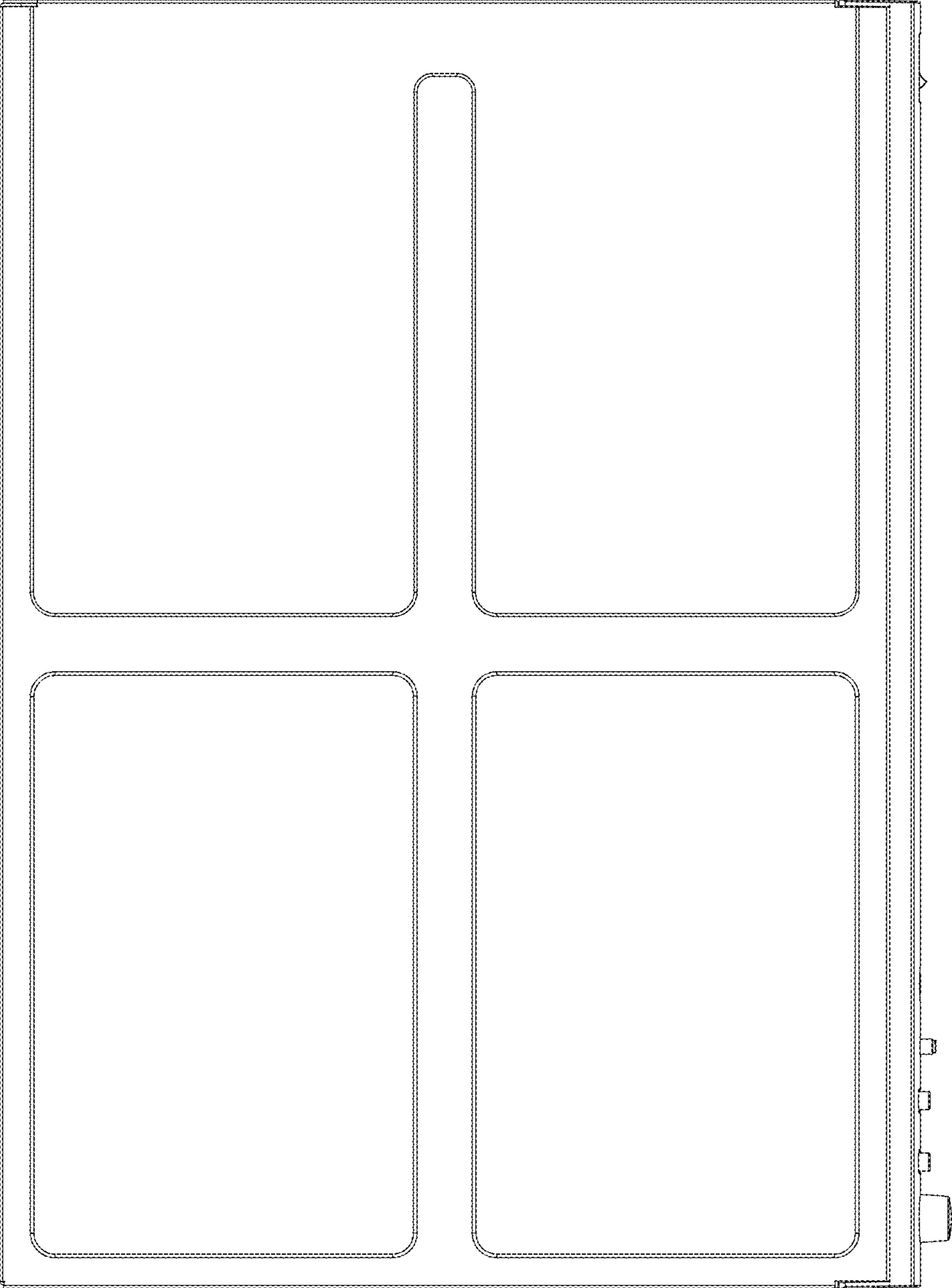


FIG. 3

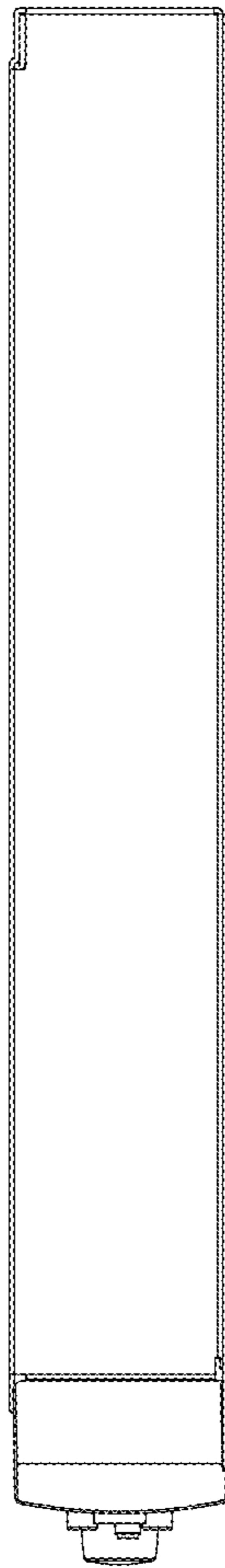


FIG. 4

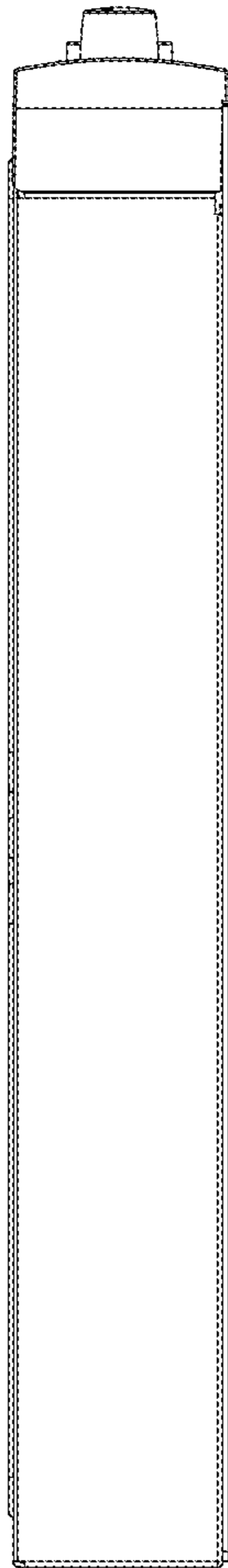


FIG. 5

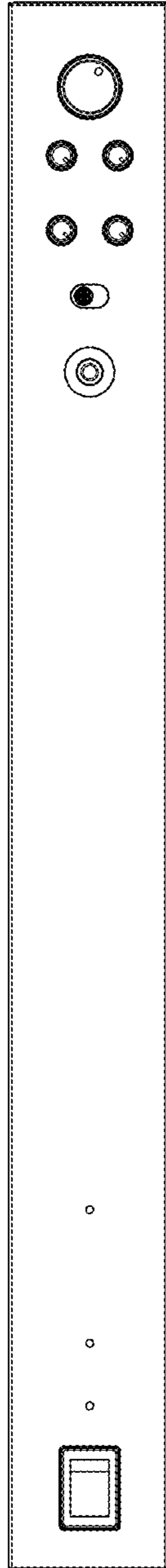


FIG. 6

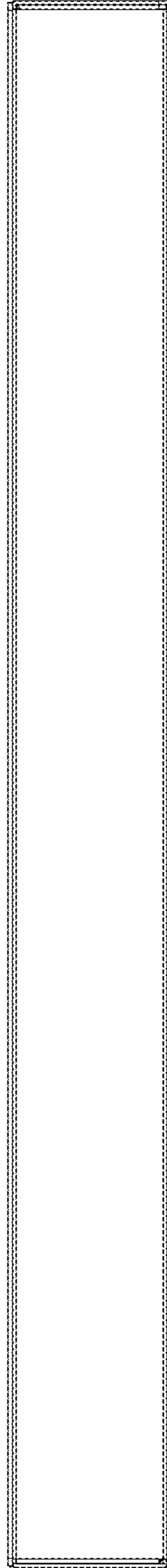


FIG. 7