



US00D776076S

(12) **United States Design Patent** (10) **Patent No.:** **US D776,076 S**
Jeon et al. (45) **Date of Patent:** **** Jan. 10, 2017**

(54) **TELEPHONE**

(71) Applicant: **Samsung Electronics Co., Ltd.**,
Suwon-si, Gyeonggi-do (KR)

(72) Inventors: **Soyoon Jeon**, Guri-si (KR); **Jihee Kwak**, Seoul (KR); **Moonjung Jang**,
Gunpo-si (KR)

(73) Assignee: **SAMSUNG ELECTRONICS CO., LTD.**,
Suwon-si, Gyeonggi-Do (KR)

(**) Term: **15 Years**

(21) Appl. No.: **29/531,455**

(22) Filed: **Jun. 25, 2015**

(30) **Foreign Application Priority Data**

Jan. 13, 2015 (KR) 30-2015-0001610

(51) **LOC (10) Cl.** **14-03**

(52) **U.S. Cl.**
USPC **D14/149**

(58) **Field of Classification Search**
USPC D14/140, 140.1, 140.7, 140.8,
141.2, D14/142, 147, 148, 149, 151, 150,
158, 159, D14/188, 217, 240, 243, 247,
248, 251, 299, D14/329; D21/517; D18/1,
7; D10/104.1; 455/557, 575, 575.1, 575.2,
575.3, 575.4, 455/74.1; 710/303;
379/88.17, 90.01, 93.17, 379/387.01,
388.02, 419-420.04, 420.02,
379/428.01-428.04, 434-436, 440,
446-447, 379/454-455, 93.23
CPC H04M 1/00; H04M 1/003; H04M 1/02;
H04M 1/03; H04M 1/04; H04M 1/0202;
H04M 1/0297; H04M 1/20; H04M 1/21;
H04M 1/22; H04M 1/23; H04M 1/233;
H04M 1/236

See application file for complete search history.

(56) **References Cited**

U.S. PATENT DOCUMENTS

3,384,718	A *	5/1968	Wilder	H04M 1/0202 379/370
D248,234	S *	6/1978	Genaro	379/455
D257,977	S *	1/1981	Blomberg	D14/148
D273,491	S *	4/1984	Perkins	D14/153
D276,721	S *	12/1984	Marshall	D14/150
D278,531	S *	4/1985	McGarvey	379/436
D282,542	S *	2/1986	Mo	379/436
D283,614	S *	4/1986	Somaschini	348/14.01
D284,572	S *	7/1986	Perkins	D14/150
D284,655	S *	7/1986	Marshall	D14/149
D287,493	S *	12/1986	Young	D14/148
D287,964	S *	1/1987	Perkins	D14/149
D289,755	S *	5/1987	Todeschini	D14/153
D326,851	S *	6/1992	Solomita	D14/148
D330,201	S *	10/1992	Preece	D14/151
D427,985	S *	7/2000	Takayama	D14/130
6,445,793	B1 *	9/2002	Vassallo	H04M 1/11 379/428.01

(Continued)

Primary Examiner — Susan Bennett Hattan

Assistant Examiner — Marie Fast Horse

(74) *Attorney, Agent, or Firm* — Ladas & Parry LLP

(57) **CLAIM**

We claim the ornamental design for a telephone, as shown and described.

DESCRIPTION

FIG. 1 is the front perspective view of a telephone showing our new design;

FIG. 2 is the front view thereof;

FIG. 3 is the rear view thereof;

FIG. 4 is the left-side view thereof;

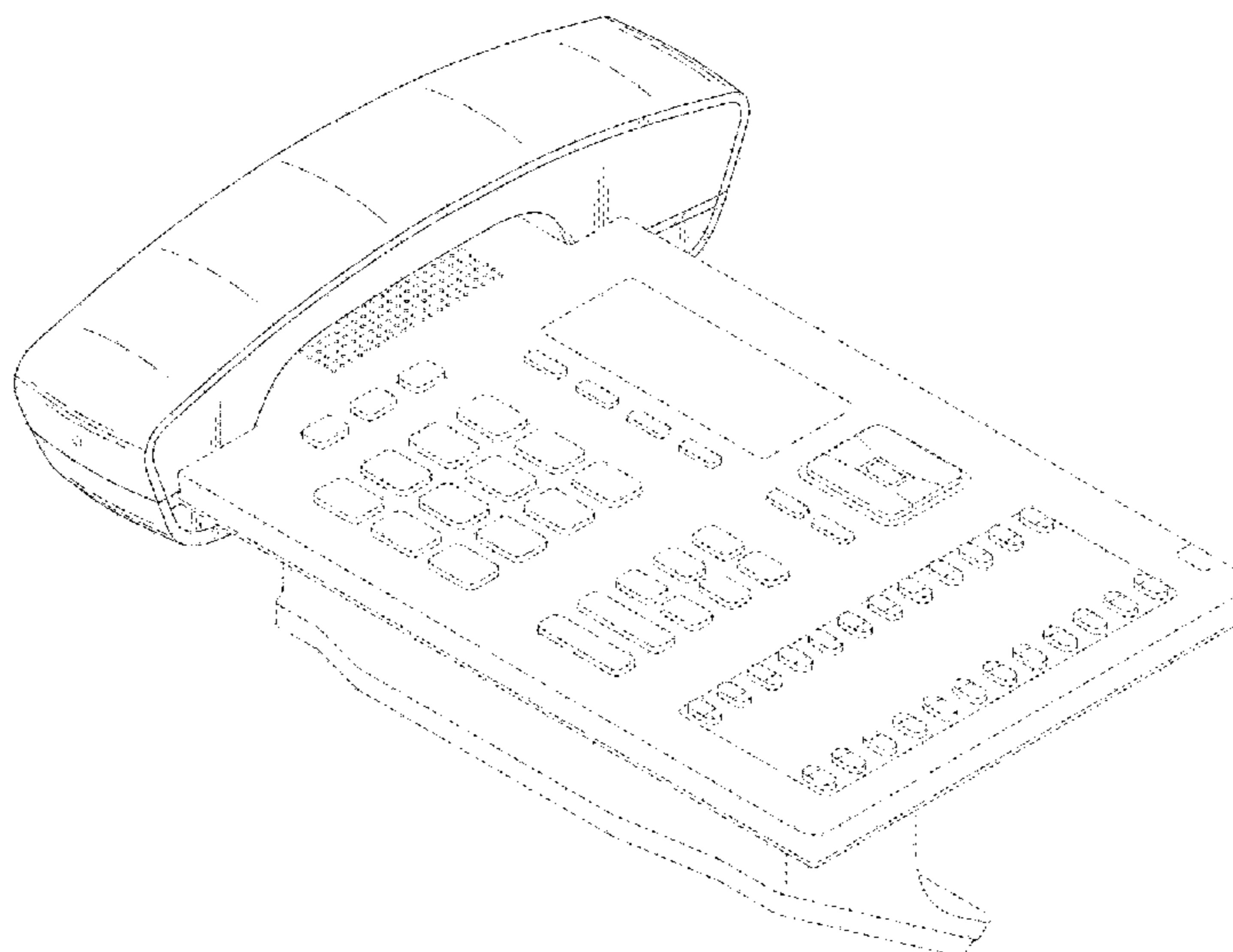
FIG. 5 is the right-side view thereof;

FIG. 6 is the top plan view thereof;

FIG. 7 is the bottom plan view thereof; and,

FIG. 8 is a front perspective view thereof shown with environmental subject matter.

(Continued)



The broken lines in FIG. 8, showing the cord, depict environmental subject matter and form no part of the claim; while, all other broken lines in the drawings depict portions of the telephone that form no part of the claimed design.

1 Claim, 8 Drawing Sheets

(56)

References Cited

U.S. PATENT DOCUMENTS

D464,035	S *	10/2002	Nam	D14/151
6,711,257	B1 *	3/2004	Vassallo	H04M 1/22 379/376.01
D552,071	S *	10/2007	Park	D14/151
D558,181	S *	12/2007	Takada	D14/142
D575,262	S *	8/2008	Brown	D14/151
D575,263	S *	8/2008	Brown	D14/151
D576,146	S *	9/2008	Brown	D14/151
D582,886	S *	12/2008	Woo	D14/151
D723,502	S *	3/2015	Chun	D14/130
D723,503	S *	3/2015	Jeon	D14/130
D733,675	S *	7/2015	Jeon	D14/151
D734,289	S *	7/2015	Jeon	D14/142
2005/0069126	A1 *	3/2005	Xue	H04M 1/12 379/454
2006/0058003	A1 *	3/2006	Lee	H04M 1/2535 455/403
2009/0283655	A1 *	11/2009	Fukuda	F16M 11/10 248/454

* cited by examiner

FIG. 1

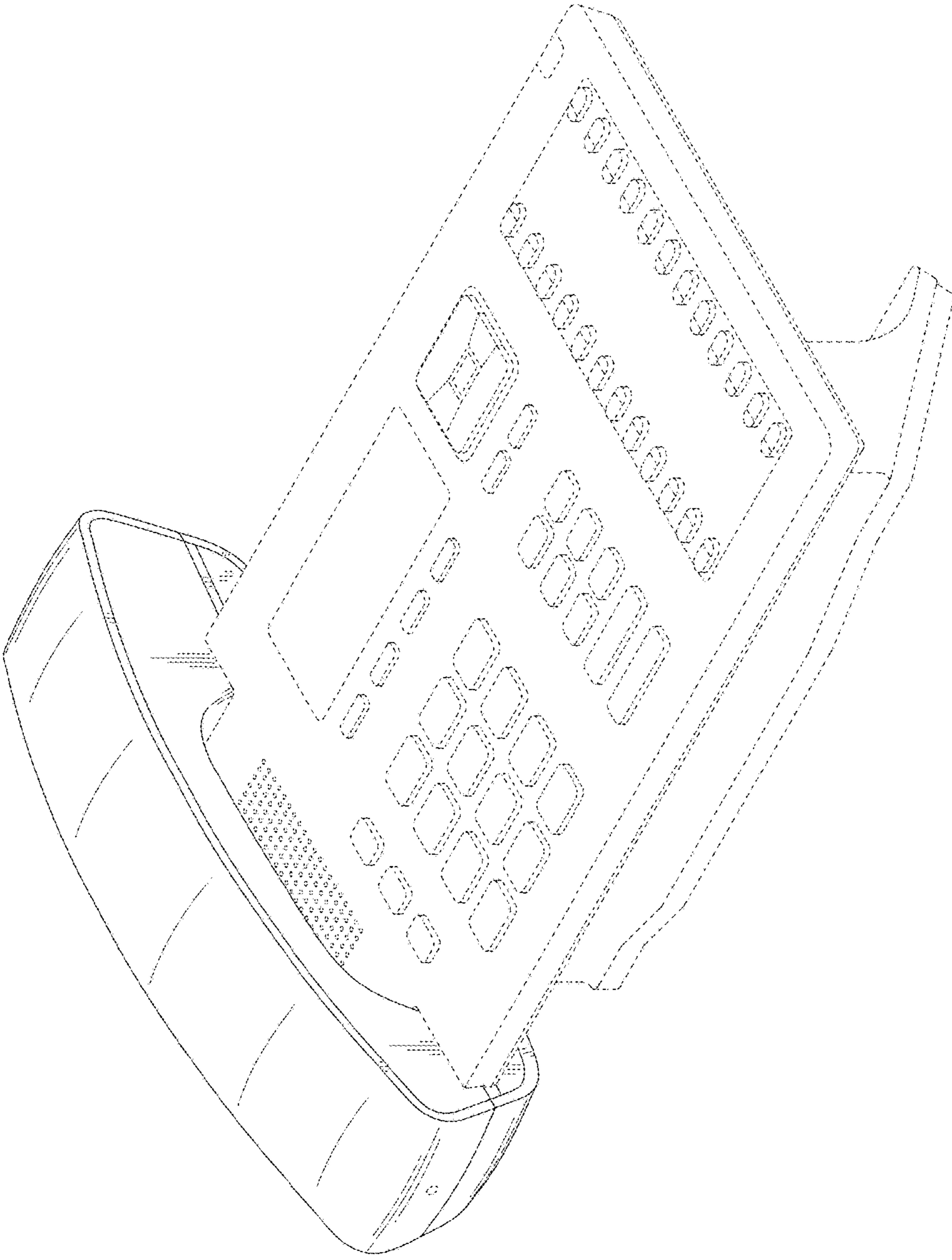


FIG. 2

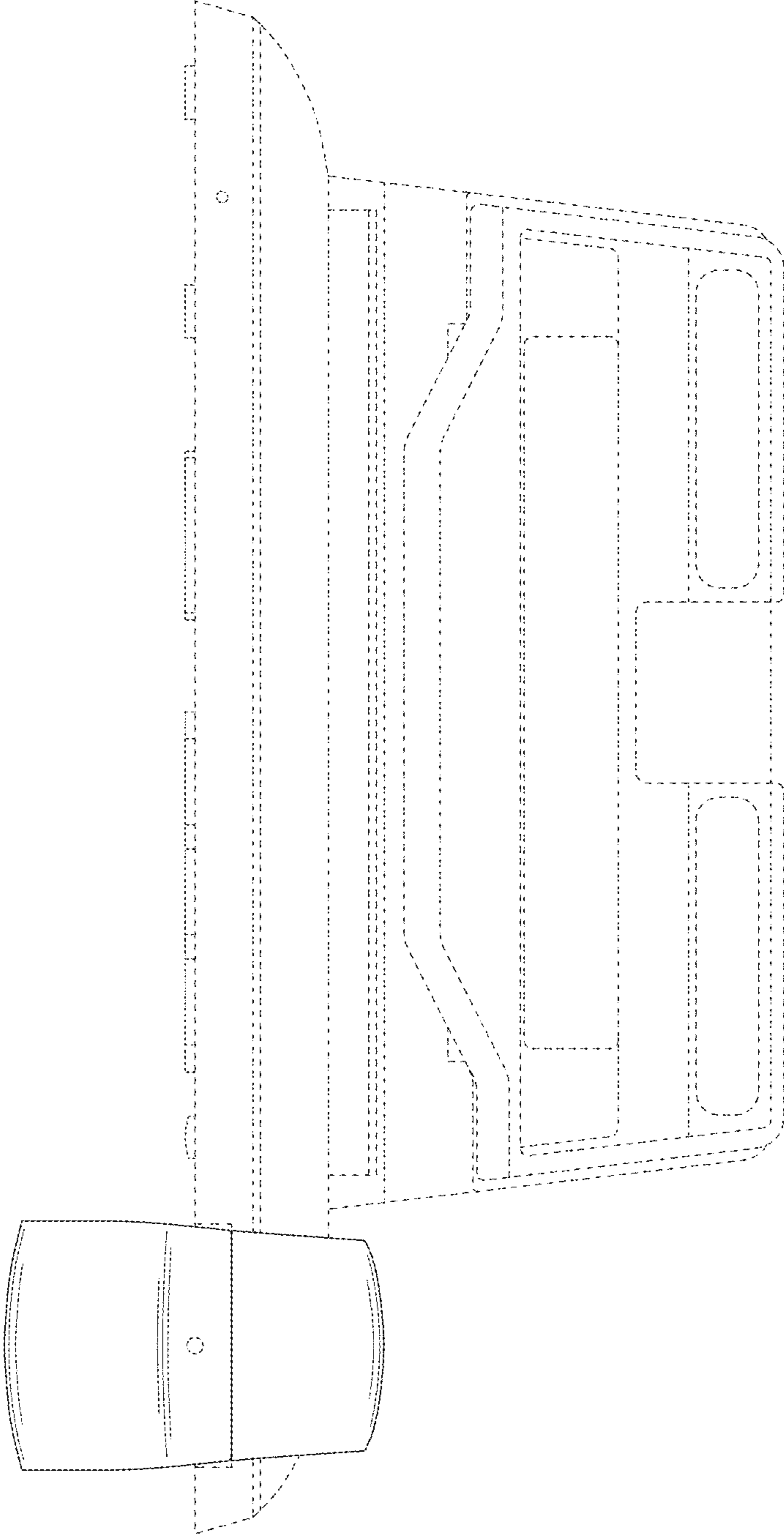


FIG. 3

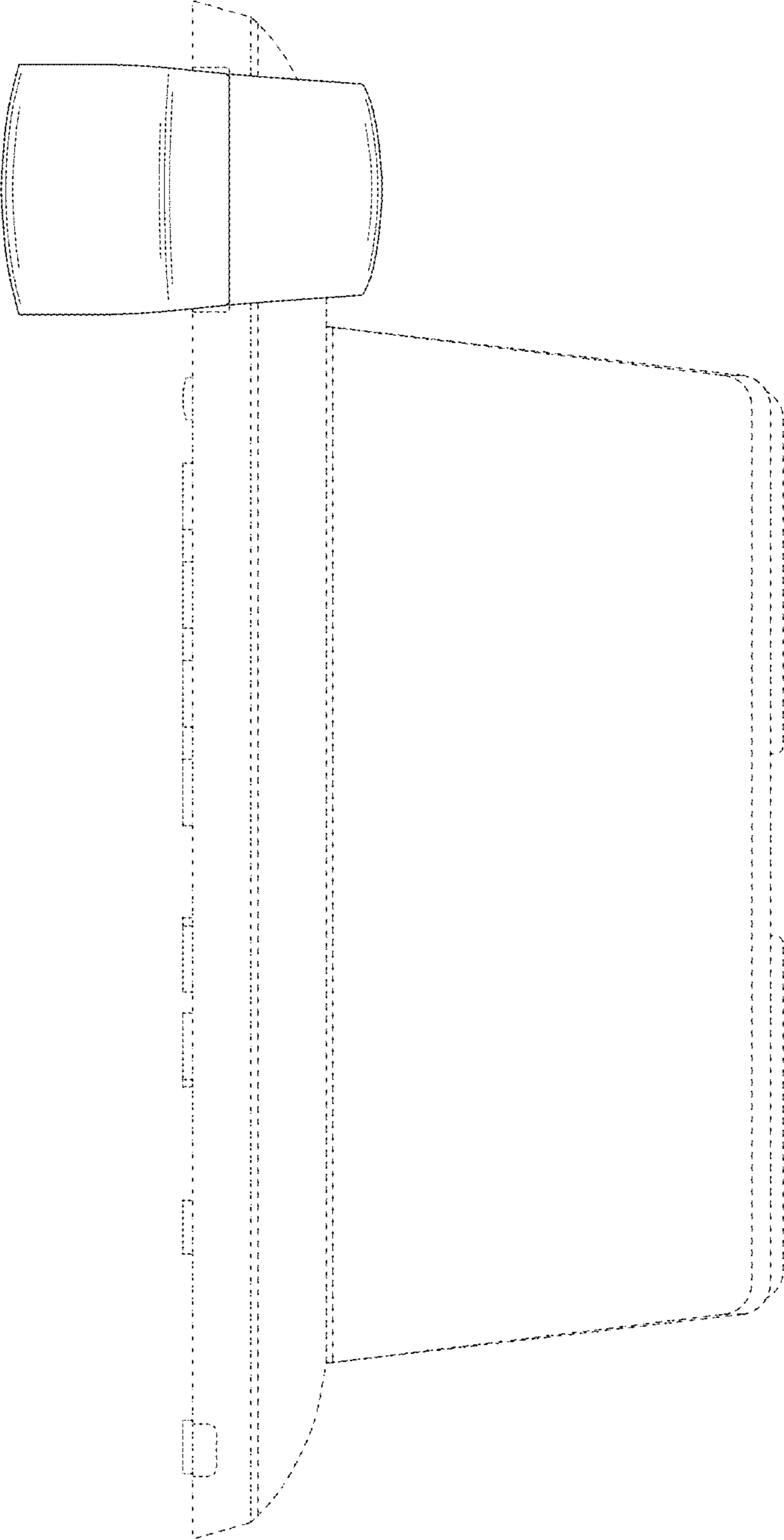


FIG. 4

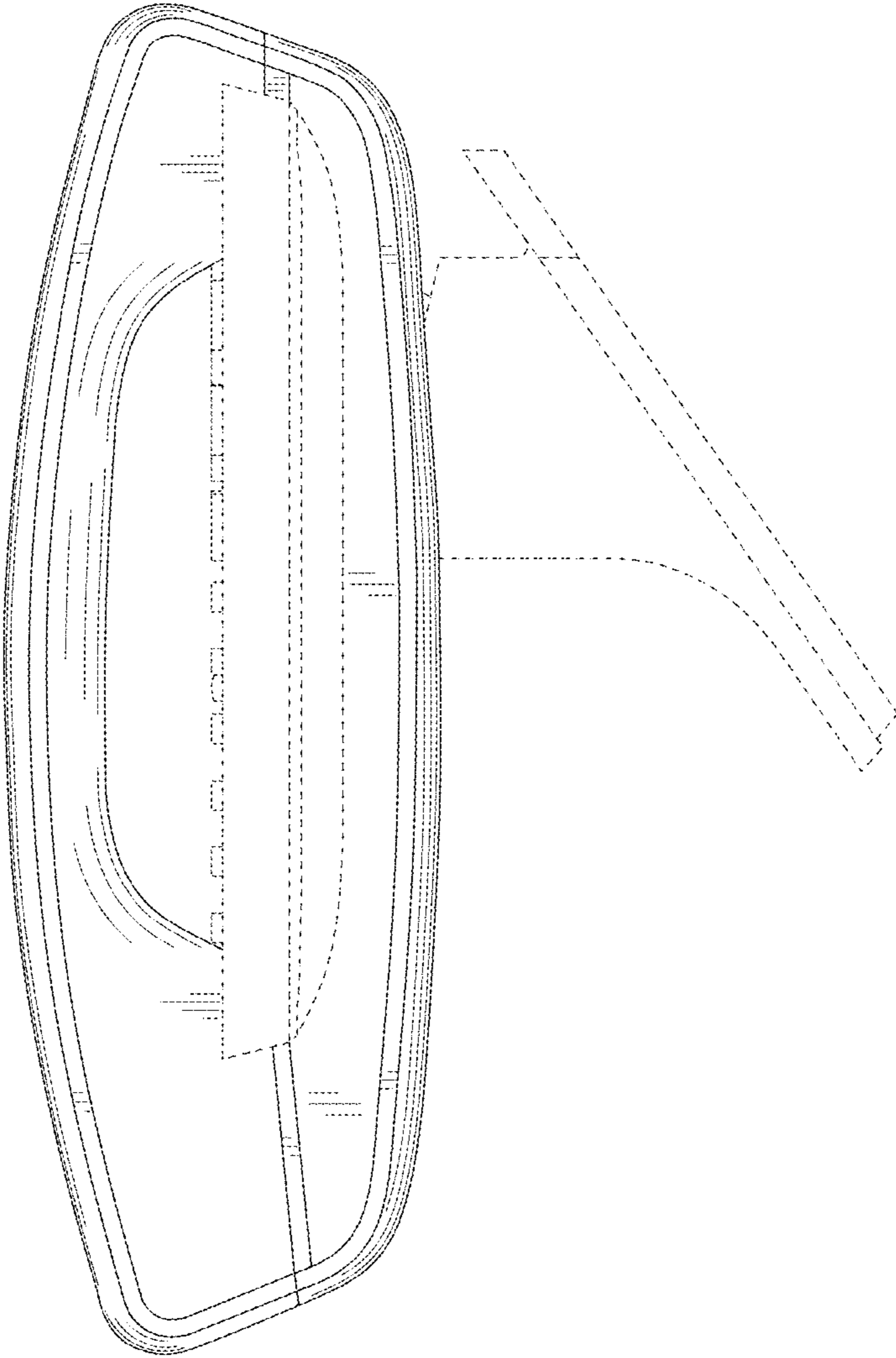


FIG. 5

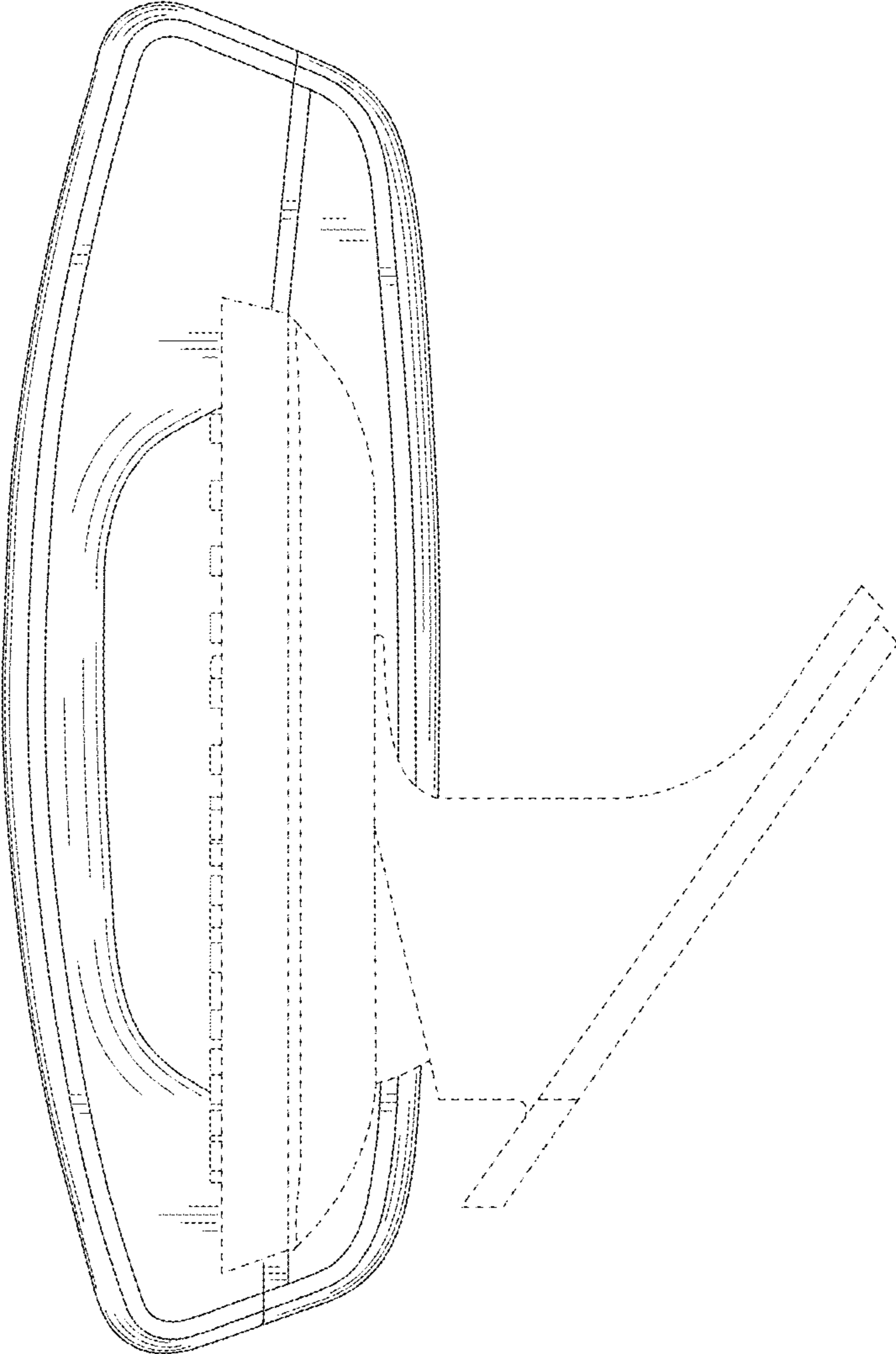


FIG. 6

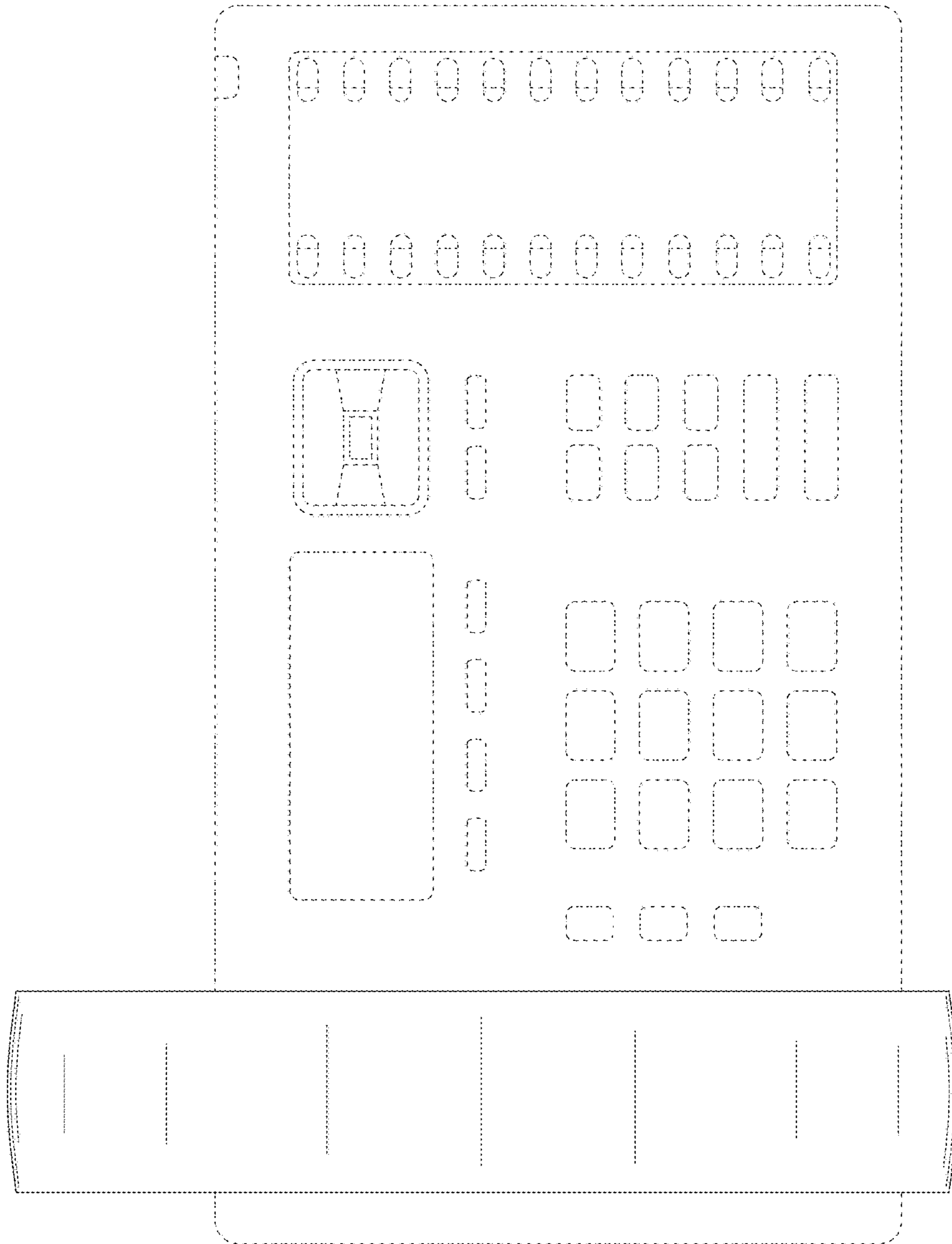


FIG. 7

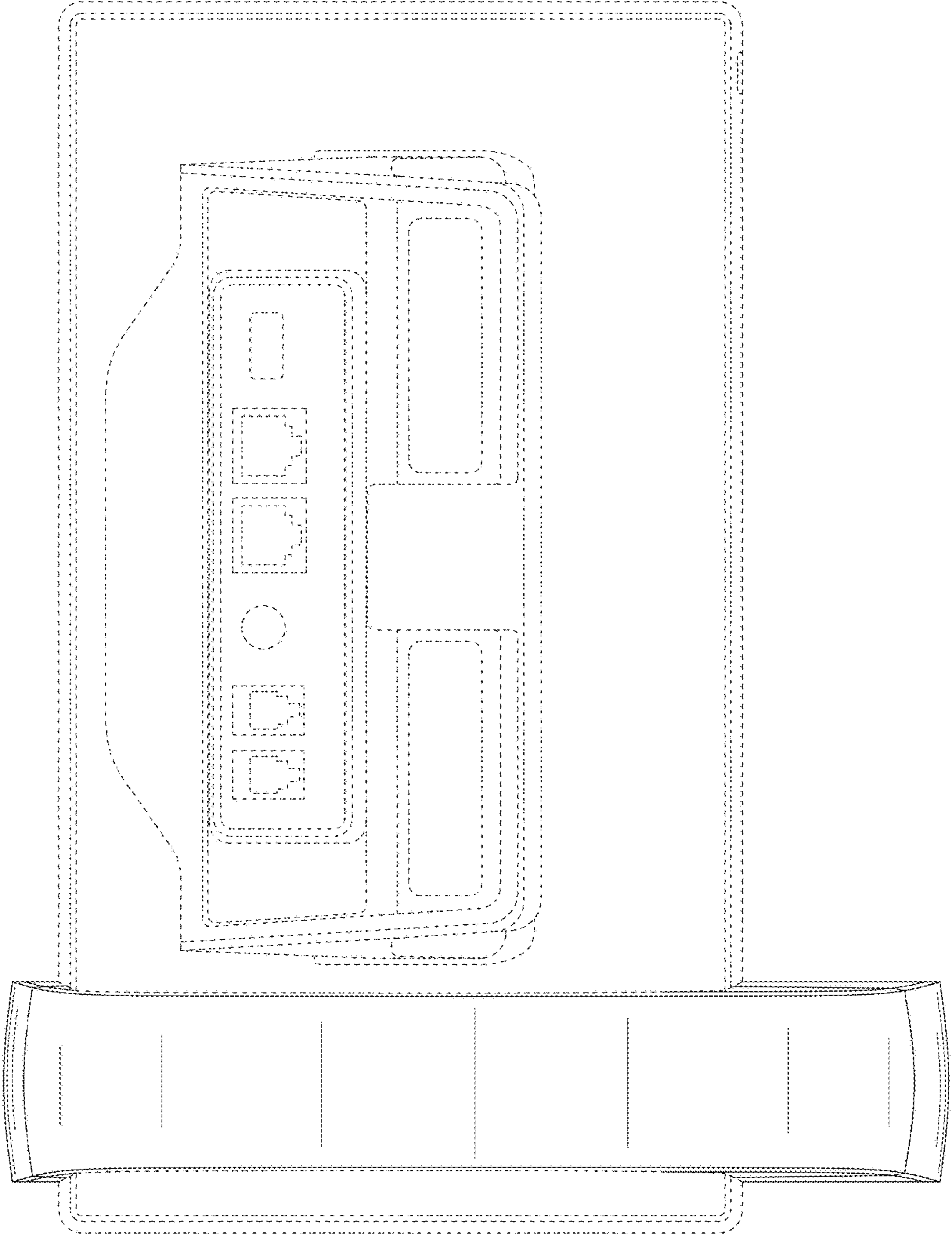


FIG. 8

