



US00D776072S

(12) **United States Design Patent**
Kim et al.

(10) **Patent No.:** **US D776,072 S**
(45) **Date of Patent:** **** Jan. 10, 2017**

- (54) **TELEVISION RECEIVER**
- (71) Applicant: **Samsung Electronics Co., Ltd.**,
Suwon-si, Gyeonggi-do (KR)
- (72) Inventors: **Inshik Kim**, Seongnam-si (KR);
Jinwook Kim, Yongin-si (KR);
Daekyung Ahn, Namyangju-si (KR);
Sangmin Hyun, Seoul (KR)
- (73) Assignee: **SAMSUNG ELECTRONICS CO., LTD.**,
Suwon-si, Gyeonggi-Do (KR)
- (**) Term: **15 Years**
- (21) Appl. No.: **29/535,111**
- (22) Filed: **Aug. 4, 2015**

(30) **Foreign Application Priority Data**

Feb. 17, 2015 (KR) 30-2015-0008784

(51) **LOC (10) Cl.** **14-03**

(52) **U.S. Cl.**
USPC **D14/126**

(58) **Field of Classification Search**
USPC D14/125-134, 239, 371, 136, 374-377,
D14/440, 450, 448, 336, 342, 159;
312/7.2; 348/836, 838, 180, 184, 325,
348/739; 248/917-924, 465; 345/104,
345/133, 156, 168, 87, 173; D21/329,
D21/515, 577, 622, 333, 433, 448, 452,
D21/450, 331, 505; D10/15, 26; 446/484,
446/175, 356; D6/477, 479, 300; D20/10,
D20/19, 39; D16/203, 241; 160/24
CPC G06F 1/1601; G06F 1/1643; H05K 5/0004;
H05K 5/0017; H05K 5/02; H05K 5/0217;
H04N 13/0459

See application file for complete search history.

(56) **References Cited**

U.S. PATENT DOCUMENTS

D323,338 S * 1/1992 Court 160/24
D568,364 S * 5/2008 Jeoung D16/241

7,438,444 B2 * 10/2008 Pao G02B 19/0071
362/327
D594,894 S * 6/2009 Adams D16/241
D607,034 S * 12/2009 Adams D16/241
D607,916 S * 1/2010 Orion D16/241
7,706,066 B2 * 4/2010 Adams G03B 21/56
359/443

(Continued)

Primary Examiner — Raphael Barkai

(74) *Attorney, Agent, or Firm* — Ladas & Parry LLP

(57) **CLAIM**

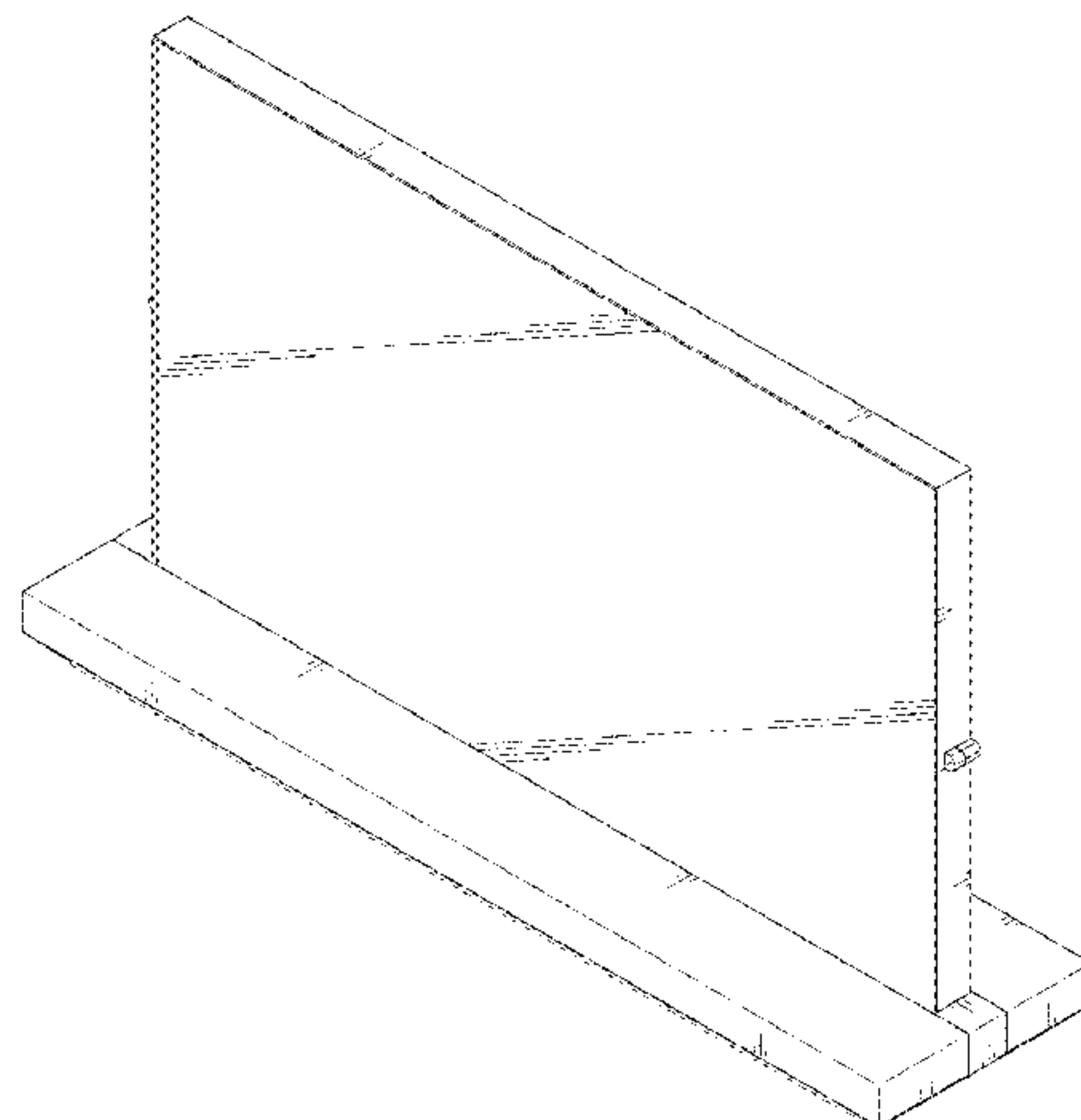
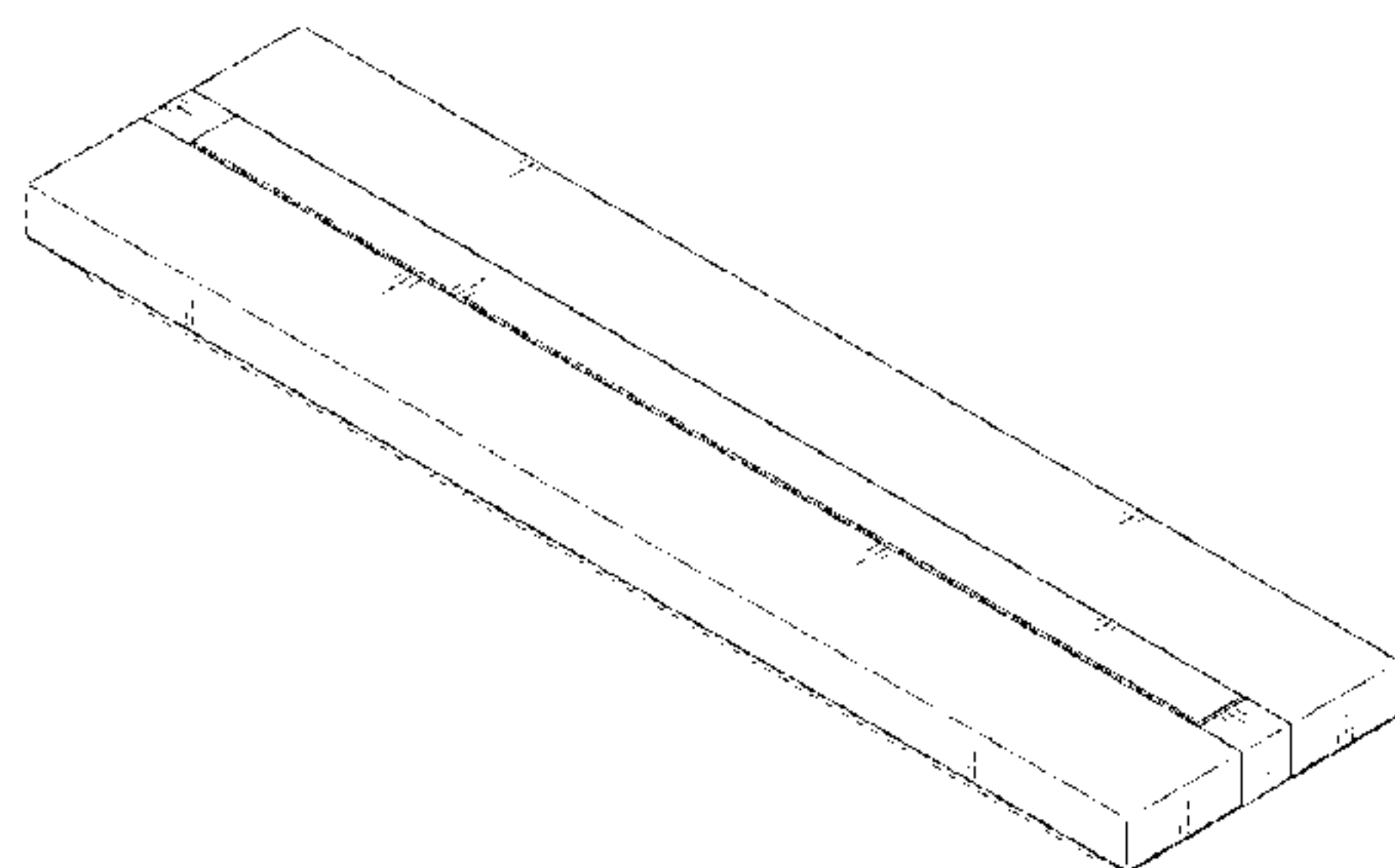
We claim the ornamental design for a television receiver, as shown and described.

DESCRIPTION

FIG. 1 is a front perspective view of a television receiver showing our new design with the display screen in a retracted position;
FIG. 2 is a front elevational view thereof;
FIG. 3 is a rear elevational view thereof;
FIG. 4 is a left side elevational view thereof;
FIG. 5 is a right side elevational view thereof;
FIG. 6 is a top plan view thereof;
FIG. 7 is a bottom plan view of thereof;
FIG. 8 is a rear perspective view thereof;
FIG. 9 is a front perspective view of the television receiver showing our new design with the display screen in a deployed position;
FIG. 10 is a front elevational view thereof;
FIG. 11 is a rear elevational view thereof;
FIG. 12 is a left side elevational view thereof;
FIG. 13 is a right side elevational view thereof;
FIG. 14 is a top plan view thereof;
FIG. 15 is a bottom plan view thereof;
FIG. 16 is a rear perspective view thereof; and,
FIG. 17 is a rear perspective view thereof with the display screen partially retracted.

The broken lines in the figures showing portions of the television receiver form no part of the claimed design.

1 Claim, 17 Drawing Sheets



(56)

References Cited

U.S. PATENT DOCUMENTS

D616,034	S *	5/2010	Carlsson	D20/43
D616,501	S *	5/2010	Maier-Hunke	D20/10
D630,599	S *	1/2011	Lim	D14/126
8,274,737	B2 *	9/2012	Wang	G03B 21/58 359/443
D677,637	S *	3/2013	Kubota	D14/126
D680,088	S *	4/2013	Park	D14/126
D737,234	S *	8/2015	Kim	D14/126
D742,375	S *	11/2015	Kang	D14/126
D755,744	S *	5/2016	Williams, Jr.	D14/126
D756,945	S *	5/2016	Kim	D14/126
D761,222	S *	7/2016	Yoo	D14/126
2006/0279840	A1 *	12/2006	Yamauchi	G03B 21/56 359/461
2014/0213324	A1 *	7/2014	Tan	H04M 1/0268 455/566
2015/0047796	A1 *	2/2015	Peng	E06B 9/42 160/323.1
2015/0153777	A1 *	6/2015	Liu	G06F 1/1652 345/173
2015/0220188	A1 *	8/2015	Zhao	G09G 3/36 345/174

* cited by examiner

FIG. 1

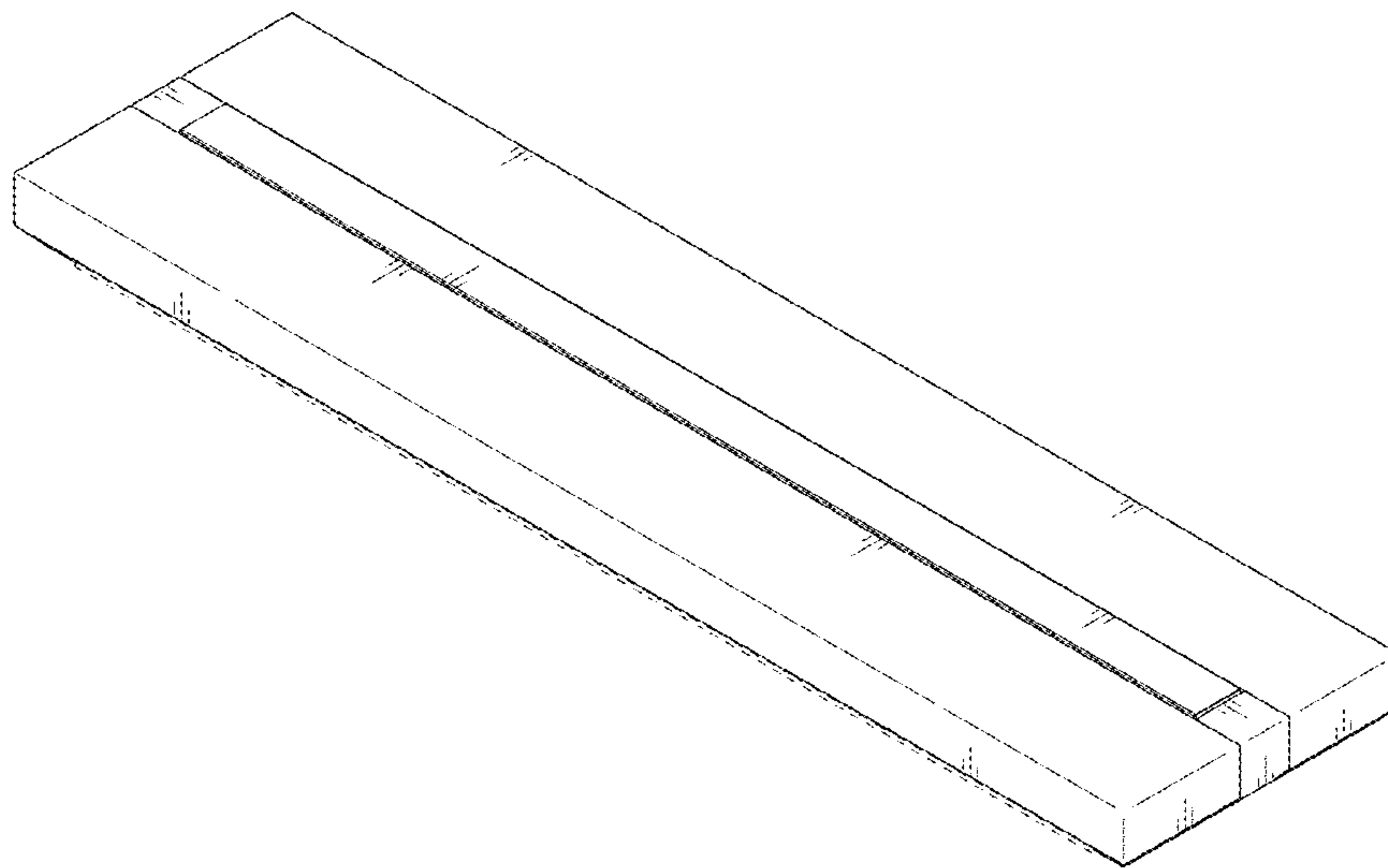


FIG. 2

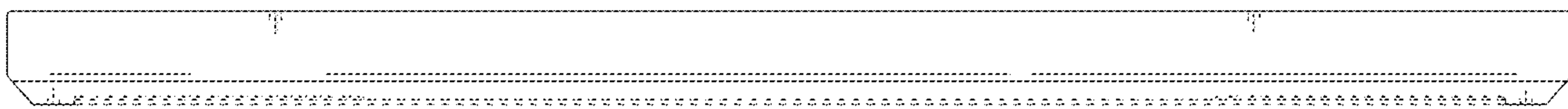


FIG. 3

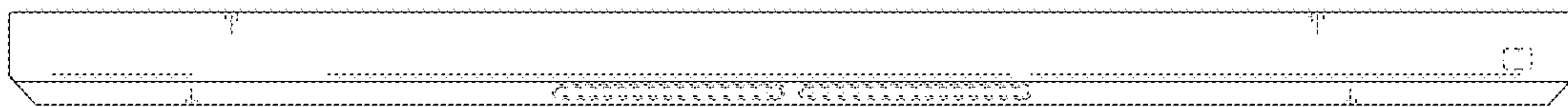


FIG. 4

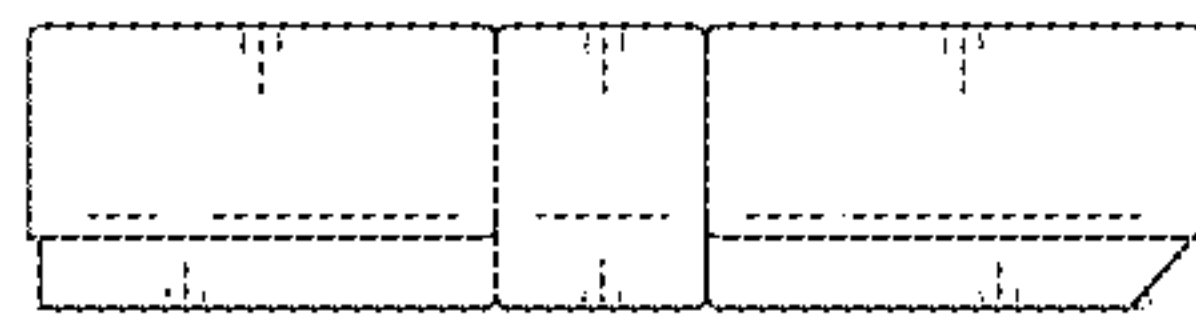


FIG. 5

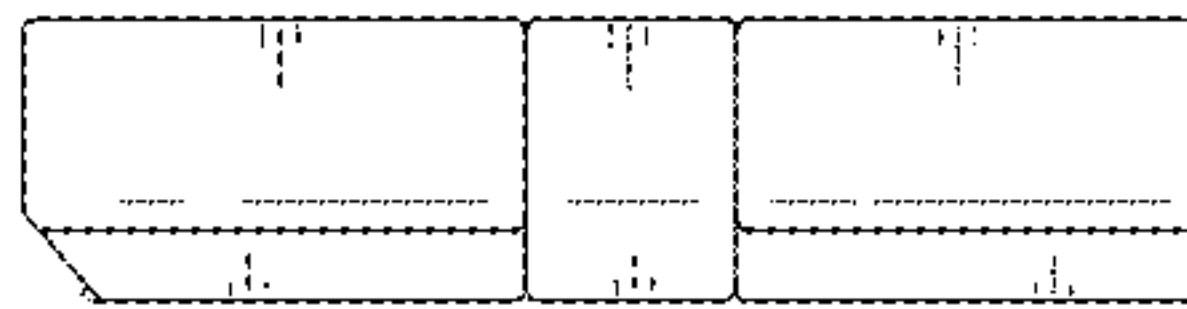


FIG. 6

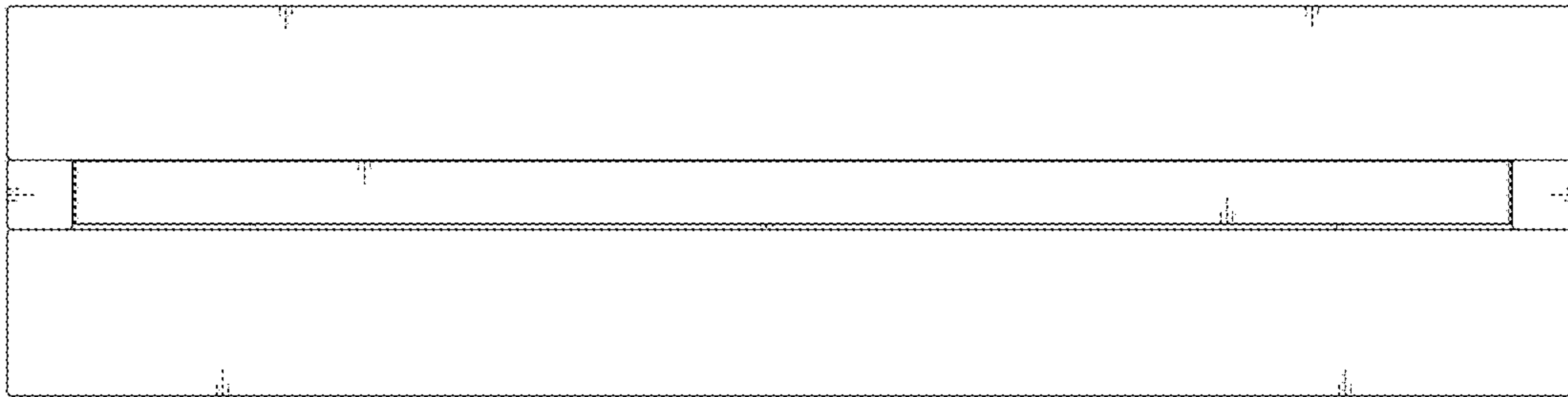


FIG. 7

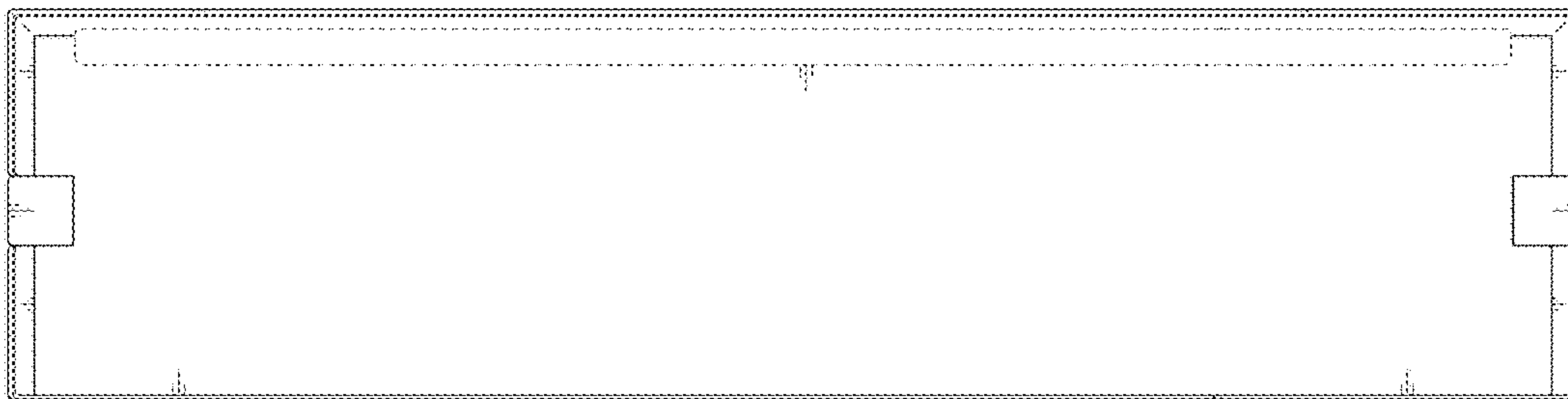
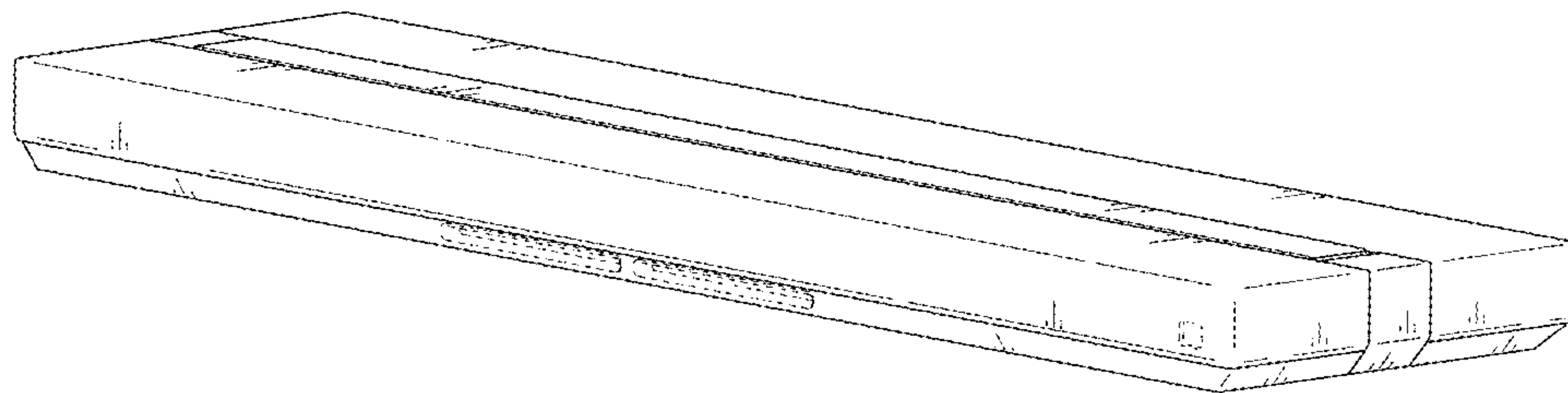


FIG. 8



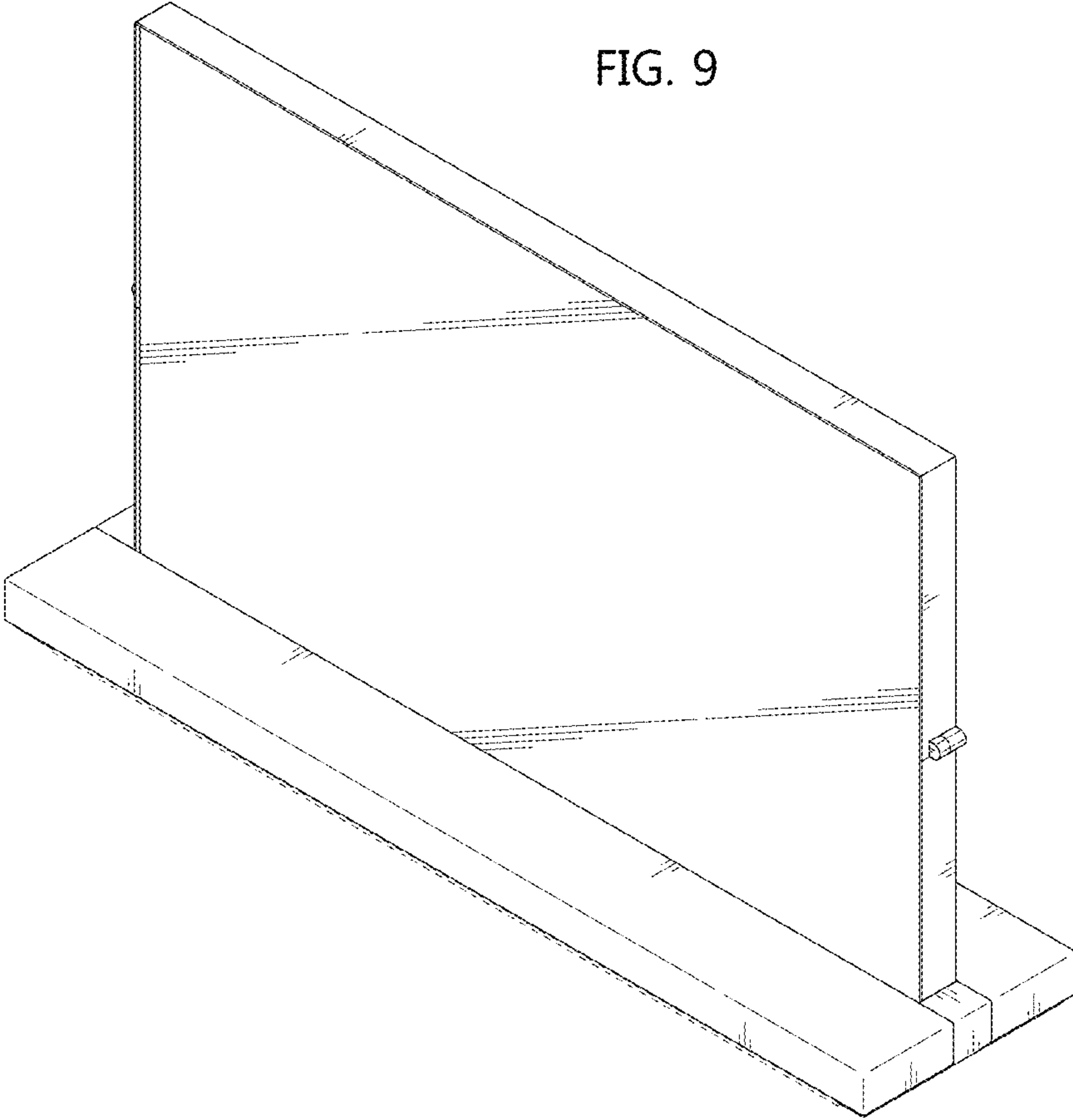


FIG. 9

FIG. 10

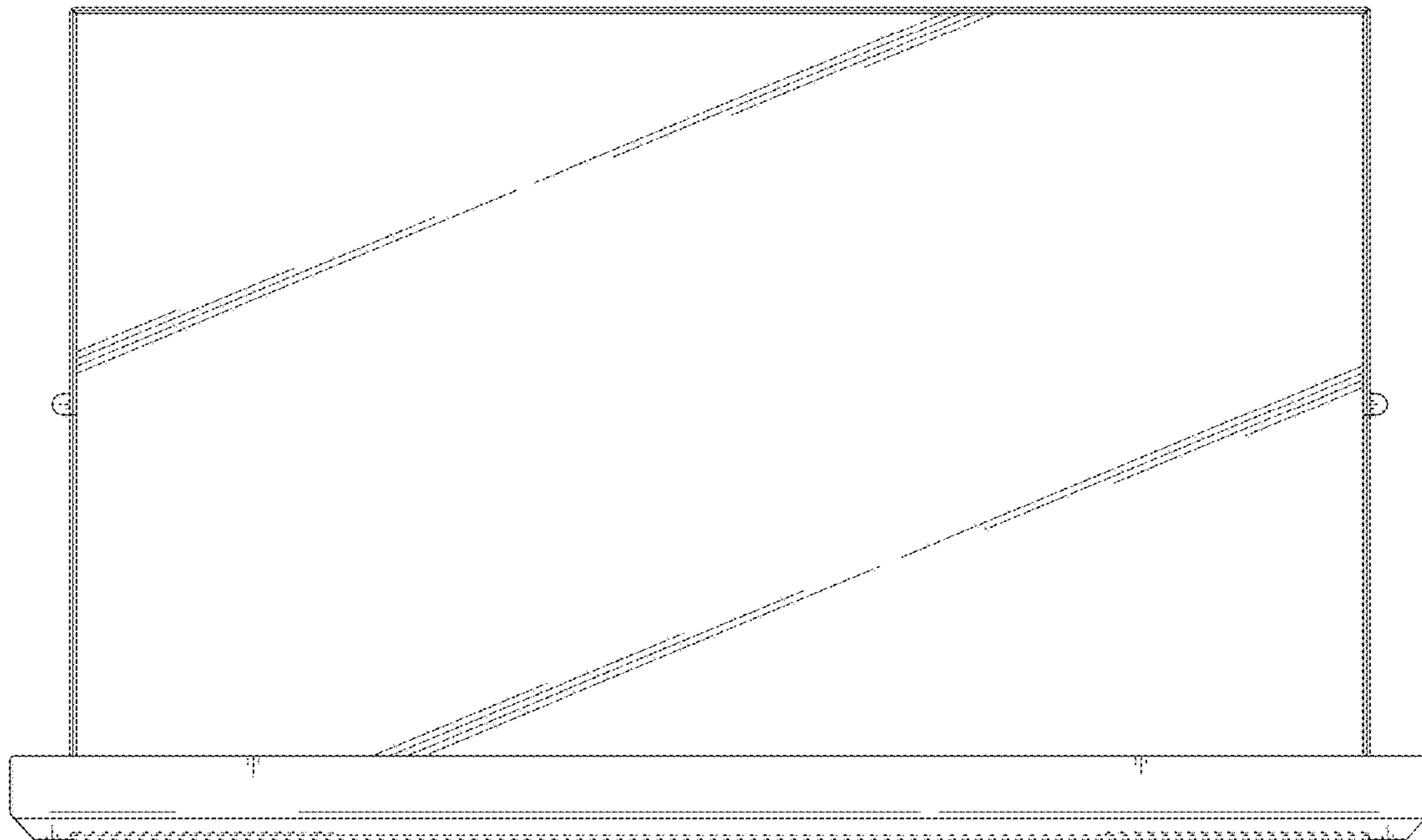


FIG. 11

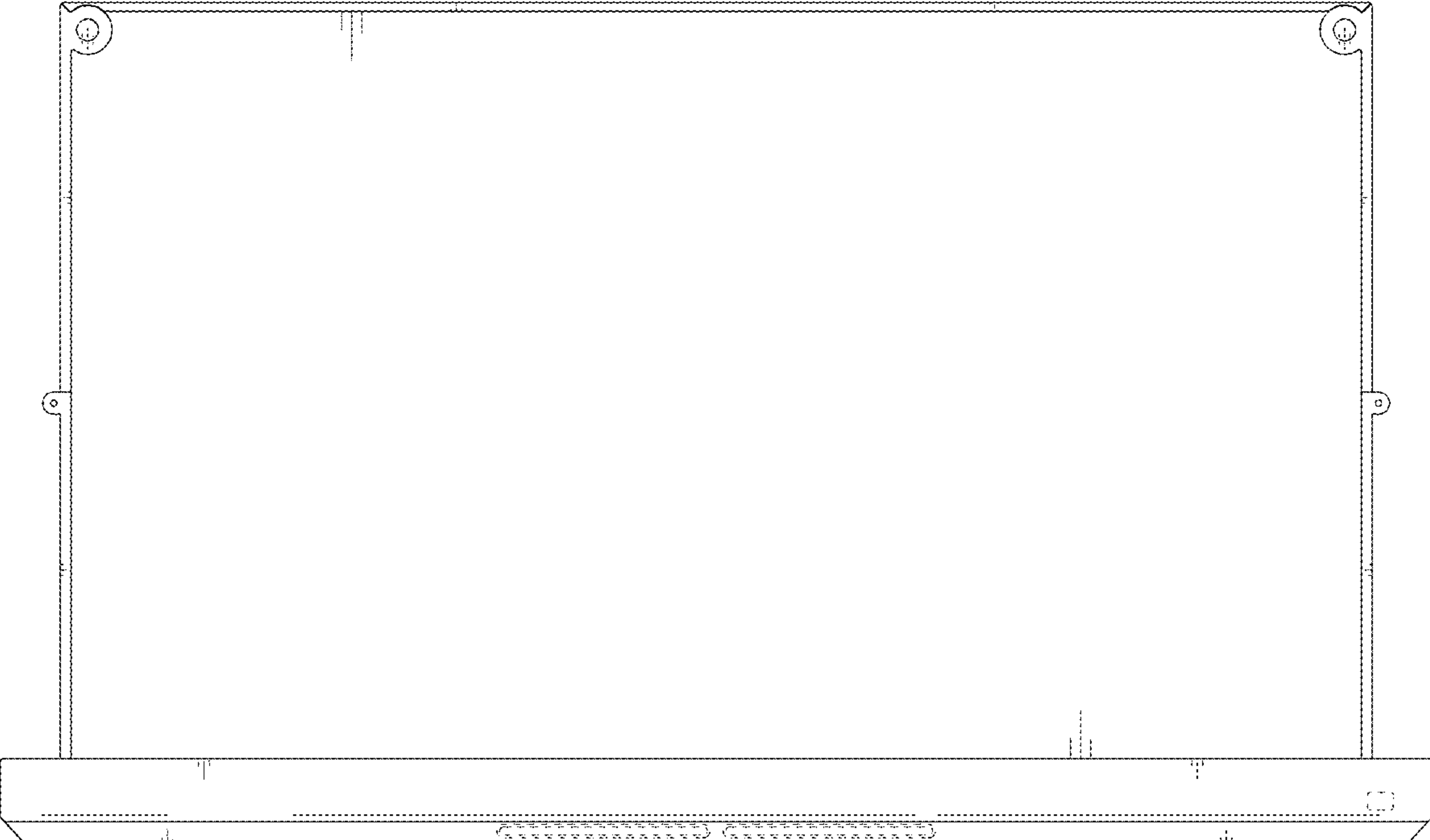


FIG. 12

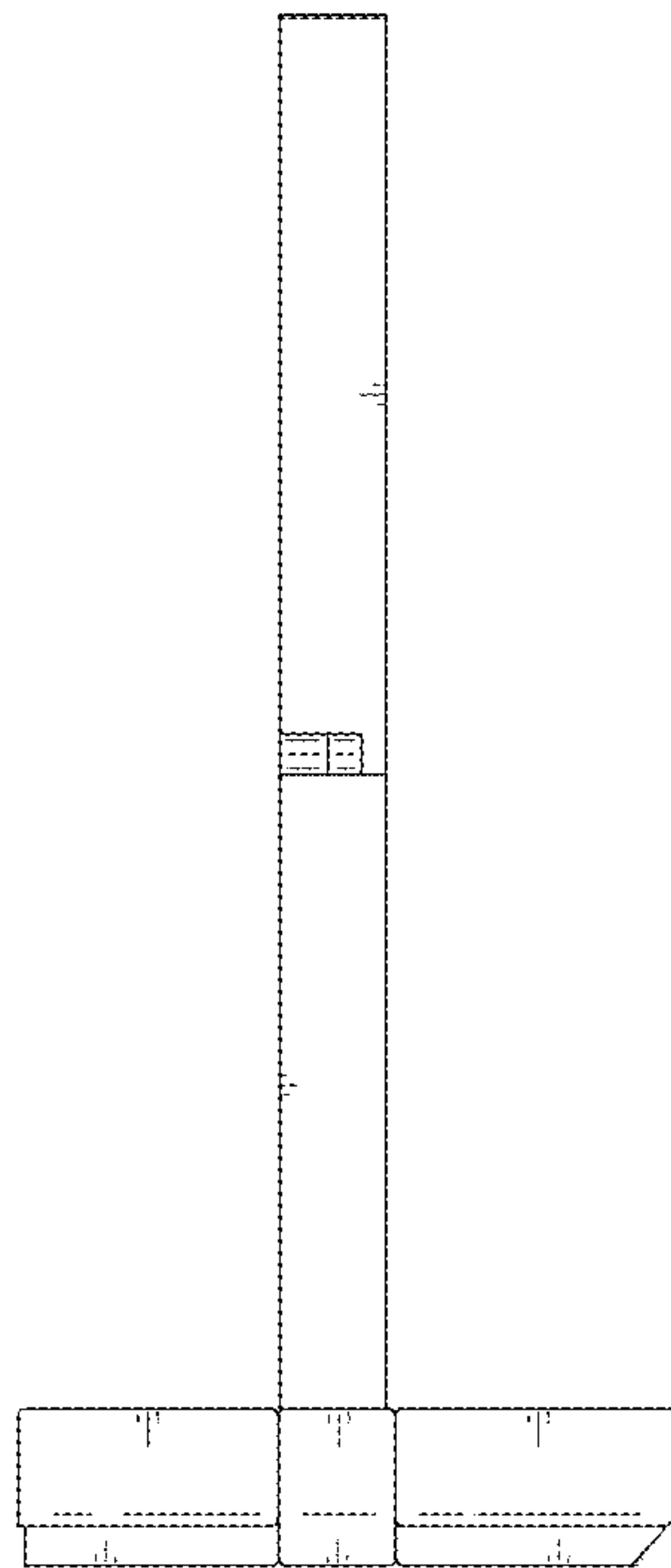


FIG. 13

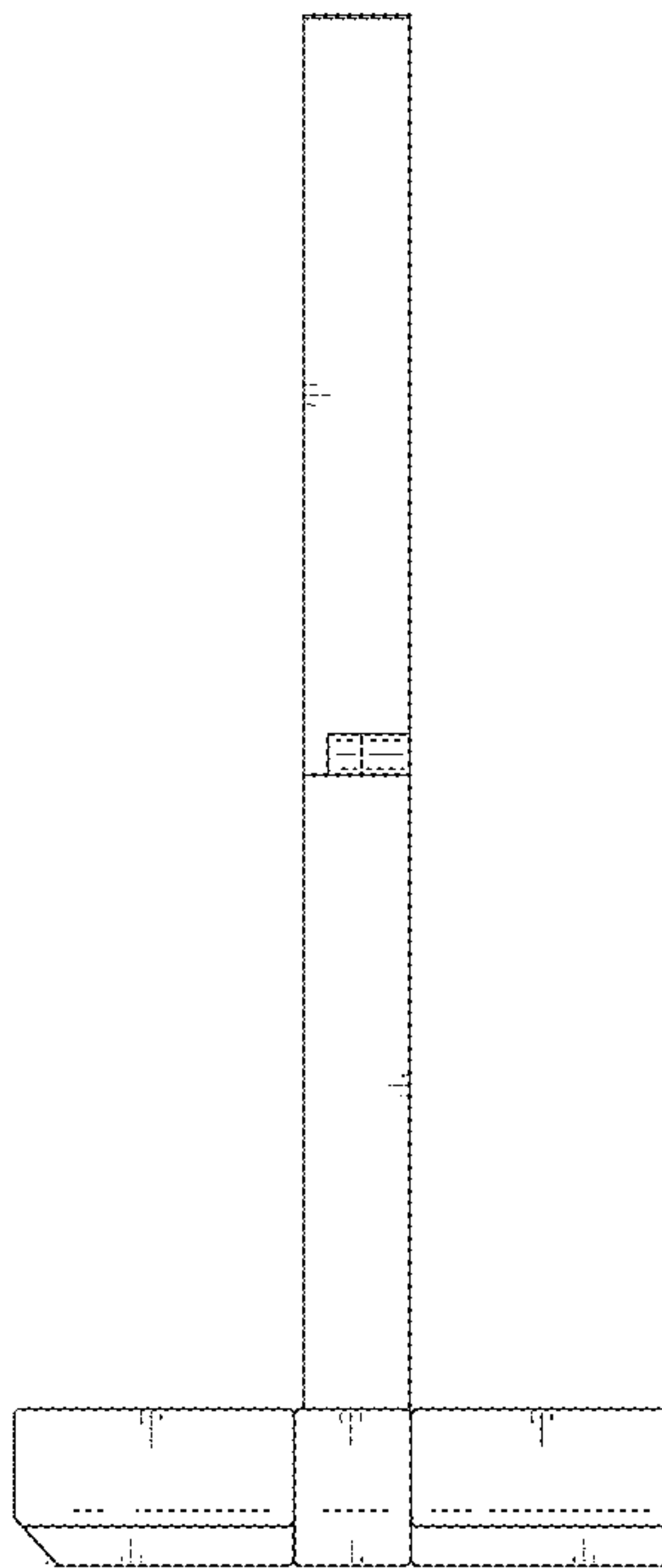


FIG. 14

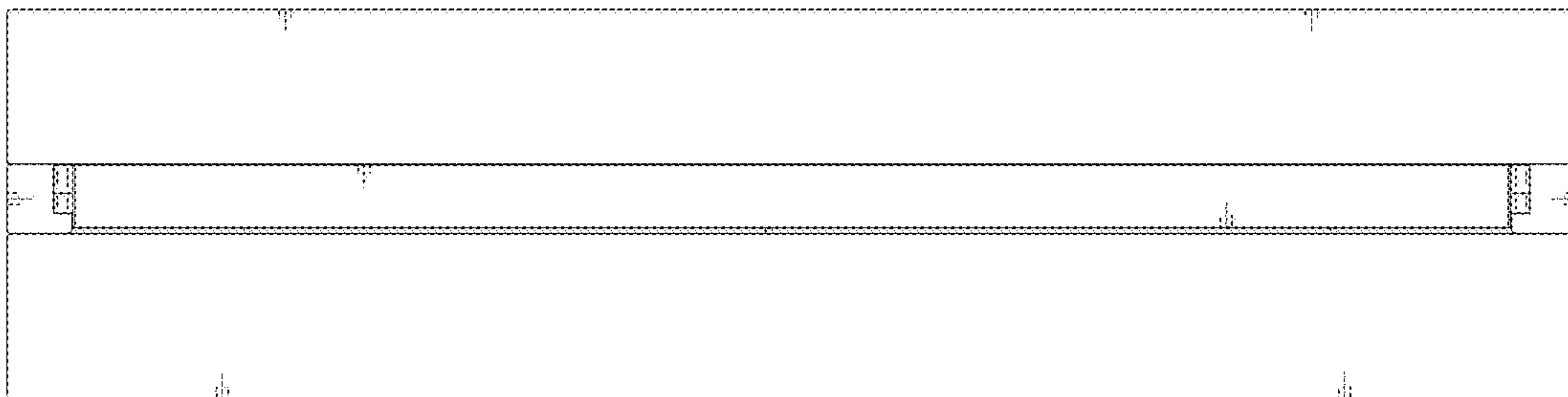


FIG. 15

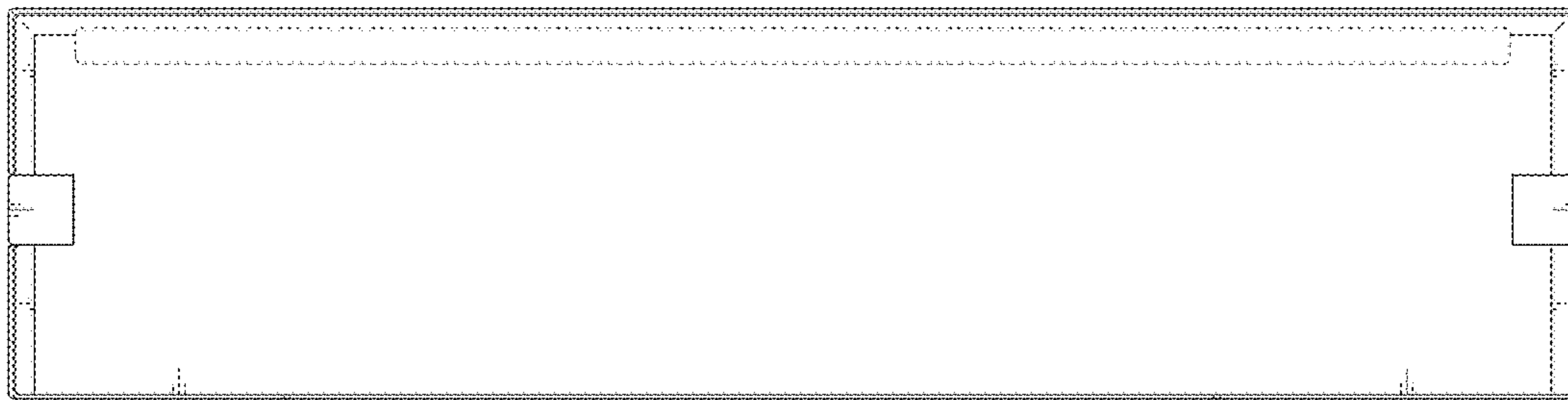


FIG. 16

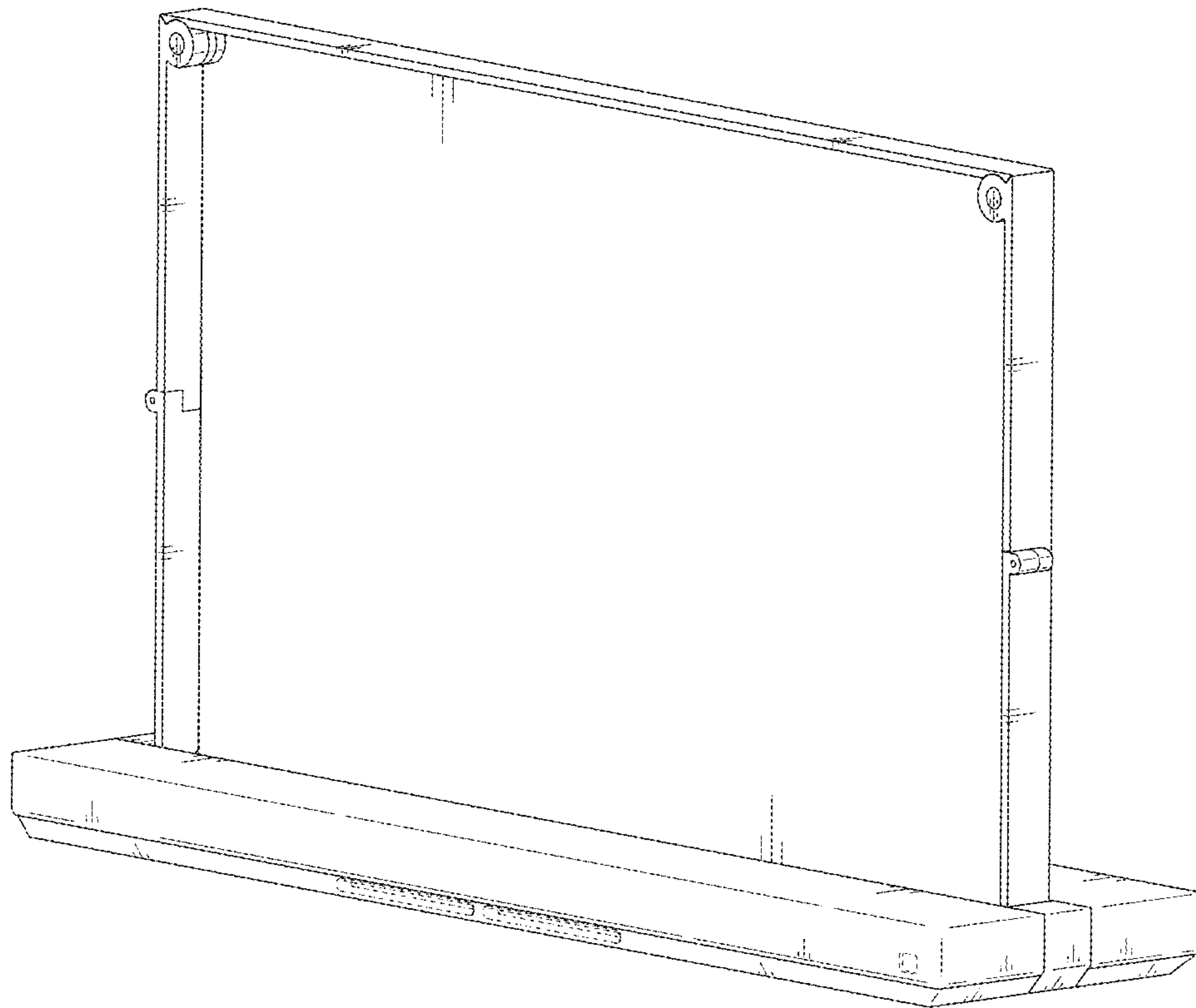


FIG. 17

