



US00D776069S

(12) **United States Design Patent**
Naka et al.

(10) **Patent No.:** **US D776,069 S**
(45) **Date of Patent:** **** Jan. 10, 2017**

(54) **PUSH SWITCH**
(71) Applicant: **OMRON Corporation**, Kyoto-shi,
Kyoto (JP)
(72) Inventors: **Mamiko Naka**, Okayama (JP); **Kenshi Nagata**, Okayama (JP); **Hiroaki Fujino**, Okayama (JP)
(73) Assignee: **OMRON CORPORATION**, Kyoto (JP)

4,388,503 A * 6/1983 Penland H01H 13/64
200/5 R
4,544,811 A * 10/1985 Brevick H01H 9/38
200/10
4,760,218 A * 7/1988 Gutman B60Q 3/004
200/17 R
4,792,649 A * 12/1988 Wada H01H 13/72
200/5 E
D310,202 S * 8/1990 Suck D13/164
D319,216 S * 8/1991 Hoffman D13/171
(Continued)

(**) Term: **15 Years**

OTHER PUBLICATIONS

(21) Appl. No.: **29/529,935**

U.S. Appl. No. 29/529,934, filed Jun. 11, 2015; Naka et al.

(22) Filed: **Jun. 11, 2015**

Primary Examiner — Selina Sikder

(30) **Foreign Application Priority Data**

(74) *Attorney, Agent, or Firm* — Sterne, Kessler, Goldstein & Fox P.L.L.C.

Dec. 12, 2014 (JP) 2014-027757

(51) **LOC (10) Cl.** **13-03**

(52) **U.S. Cl.**
USPC **D13/174**

(57) **CLAIM**

The ornamental design for a push switch, as shown and described.

(58) **Field of Classification Search**

USPC D13/162, 171, 173, 174
CPC H01H 3/02; H01H 3/022; H01H 3/12;
H01H 3/122; H01H 9/02; H01H 9/0235;
H01H 13/023; H01H 13/04; H01H 13/06;
H01H 13/063; H01H 13/10; H01H 13/12;
H01H 13/14; H01H 13/36; H01H 13/64;
H01H 13/70; H01H 13/86; H01H 21/24;
H01H 25/065; H01H 23/00; A47C 7/506
See application file for complete search history.

DESCRIPTION

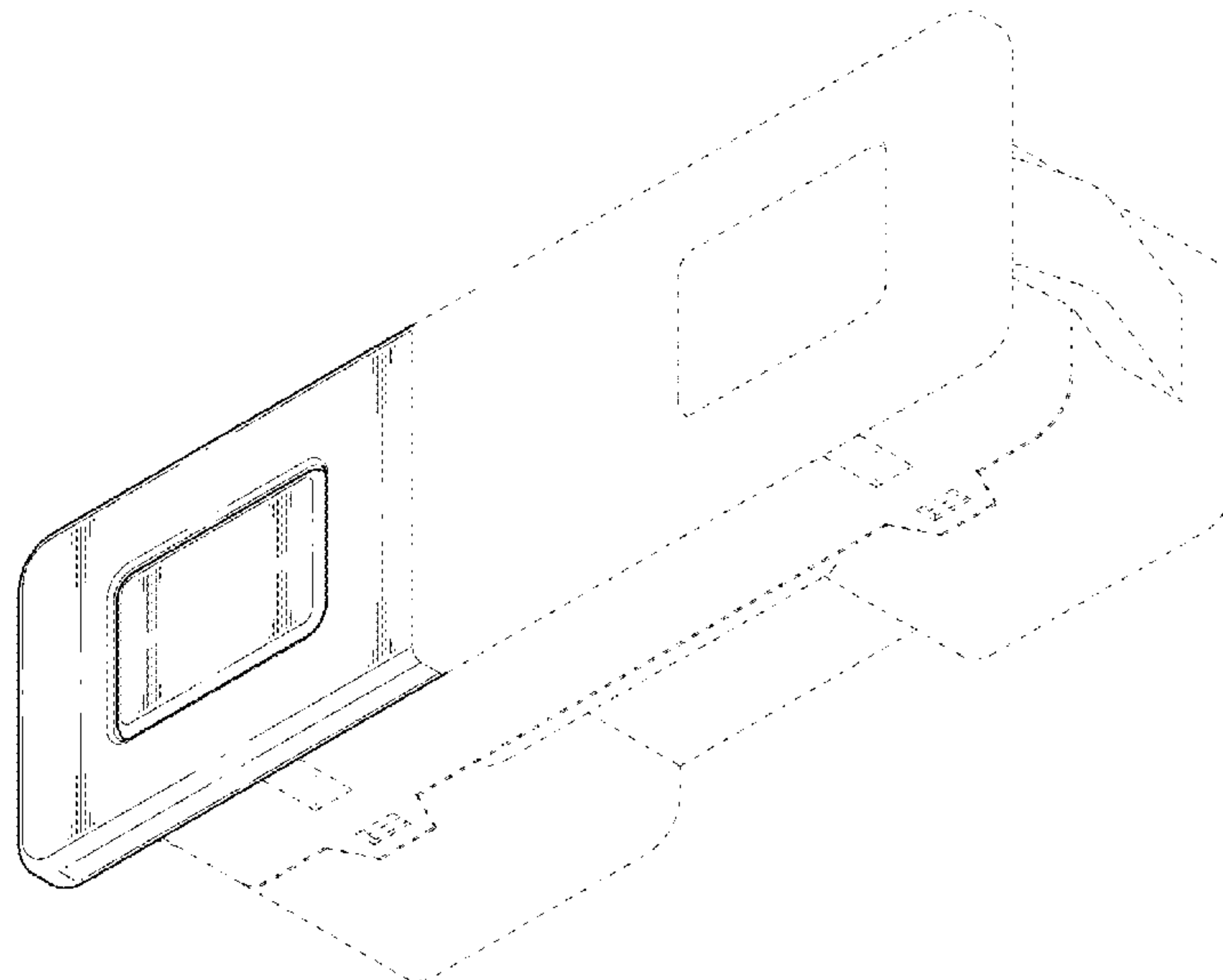
FIG. 1 is a bottom front perspective view of a push switch showing our new design;
FIG. 2 is a bottom rear perspective view thereof;
FIG. 3 is a front view thereof;
FIG. 4 is a rear view thereof;
FIG. 5 is a left side view thereof;
FIG. 6 is a right side view thereof;
FIG. 7 is a top view thereof; and,
FIG. 8 is a bottom view thereof.
The dashed broken lines in the figures show portions of the push switch that form no part of the claimed design.
The dot-dash broken lines in the figures show boundaries of the claimed design and form no part thereof.

(56) **References Cited**

U.S. PATENT DOCUMENTS

4,196,322 A * 4/1980 Hattori H01H 15/02
200/16 C
4,343,973 A * 8/1982 Main H01H 13/02
200/5 A

1 Claim, 3 Drawing Sheets



(56)

References Cited

U.S. PATENT DOCUMENTS

D319,628 S * 9/1991 Whitley, II D13/171
 D330,012 S * 10/1992 Takahashi D13/162
 D337,312 S * 7/1993 Kapp D13/164
 5,952,731 A * 9/1999 McPherson G07C 9/0069
 180/287
 6,140,593 A * 10/2000 Bramesfeld H01H 13/70
 200/341
 6,297,810 B1 * 10/2001 Anderson H01H 13/70
 345/104
 6,633,011 B2 10/2003 Ogawa et al.
 6,724,102 B1 * 4/2004 Kelwaski B60L 1/00
 307/10.1
 D529,449 S * 10/2006 Pratt D13/171
 D537,796 S * 3/2007 Fabrizi D13/171
 7,202,431 B2 * 4/2007 Gauzin H01H 11/0018
 200/329
 7,332,681 B2 * 2/2008 Wohlfart H01H 3/122
 200/345
 D626,093 S * 10/2010 Bates D13/174
 7,829,813 B2 * 11/2010 Murase H01H 13/70
 200/517
 8,106,325 B2 * 1/2012 Laurent H01H 13/70
 200/296
 D694,715 S * 12/2013 Fichte D13/162
 2009/0256727 A1 * 10/2009 Shi H01H 13/70
 341/22
 2012/0160643 A1 * 6/2012 Fujibayashi H01H 9/181
 200/310
 2013/0026340 A1 * 1/2013 Kanamori H01H 13/06
 250/200
 2015/0083564 A1 * 3/2015 Verd Martinez H01H 13/83
 200/5 A
 2015/0243454 A1 8/2015 Choi

* cited by examiner

FIG. 1

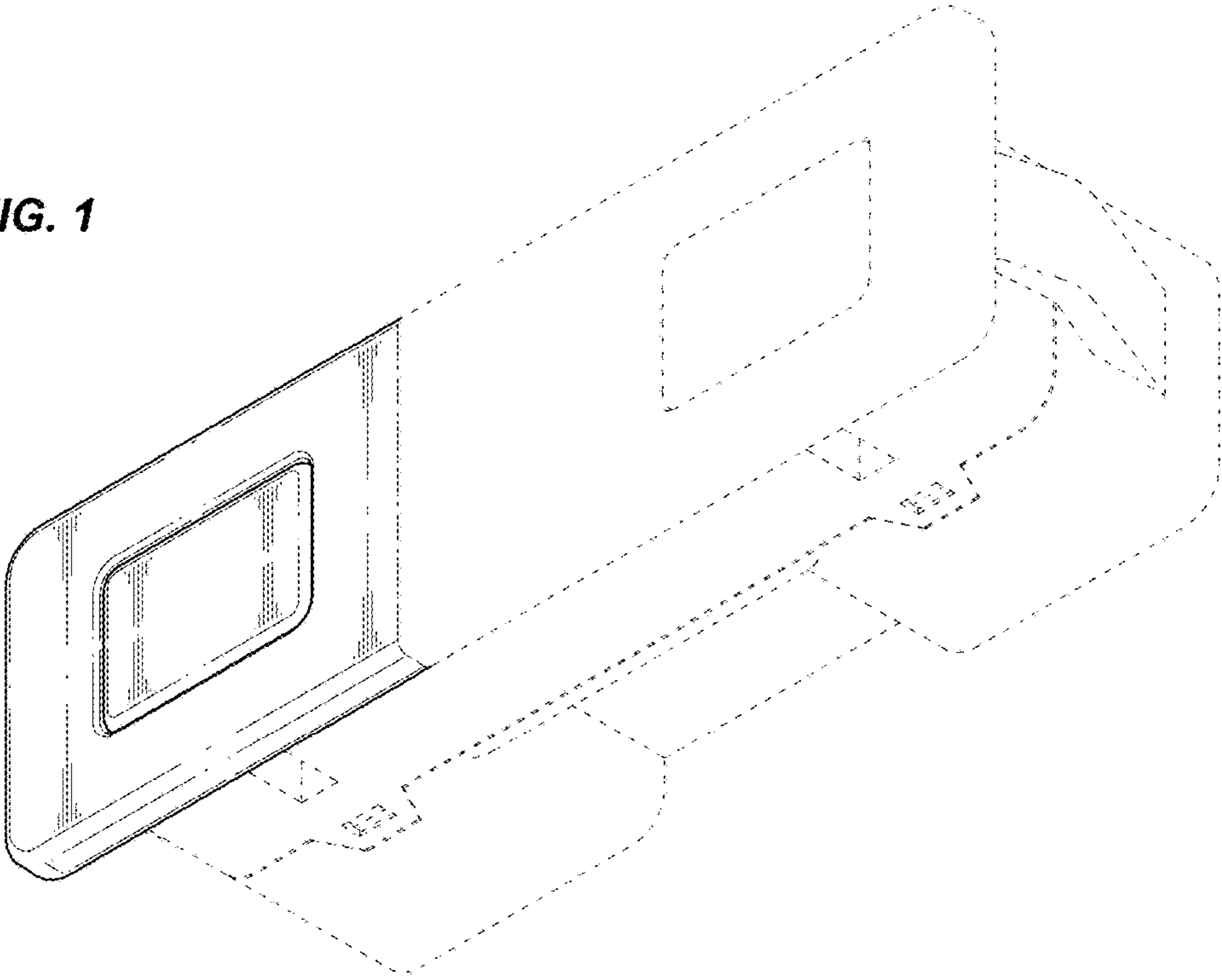


FIG. 2

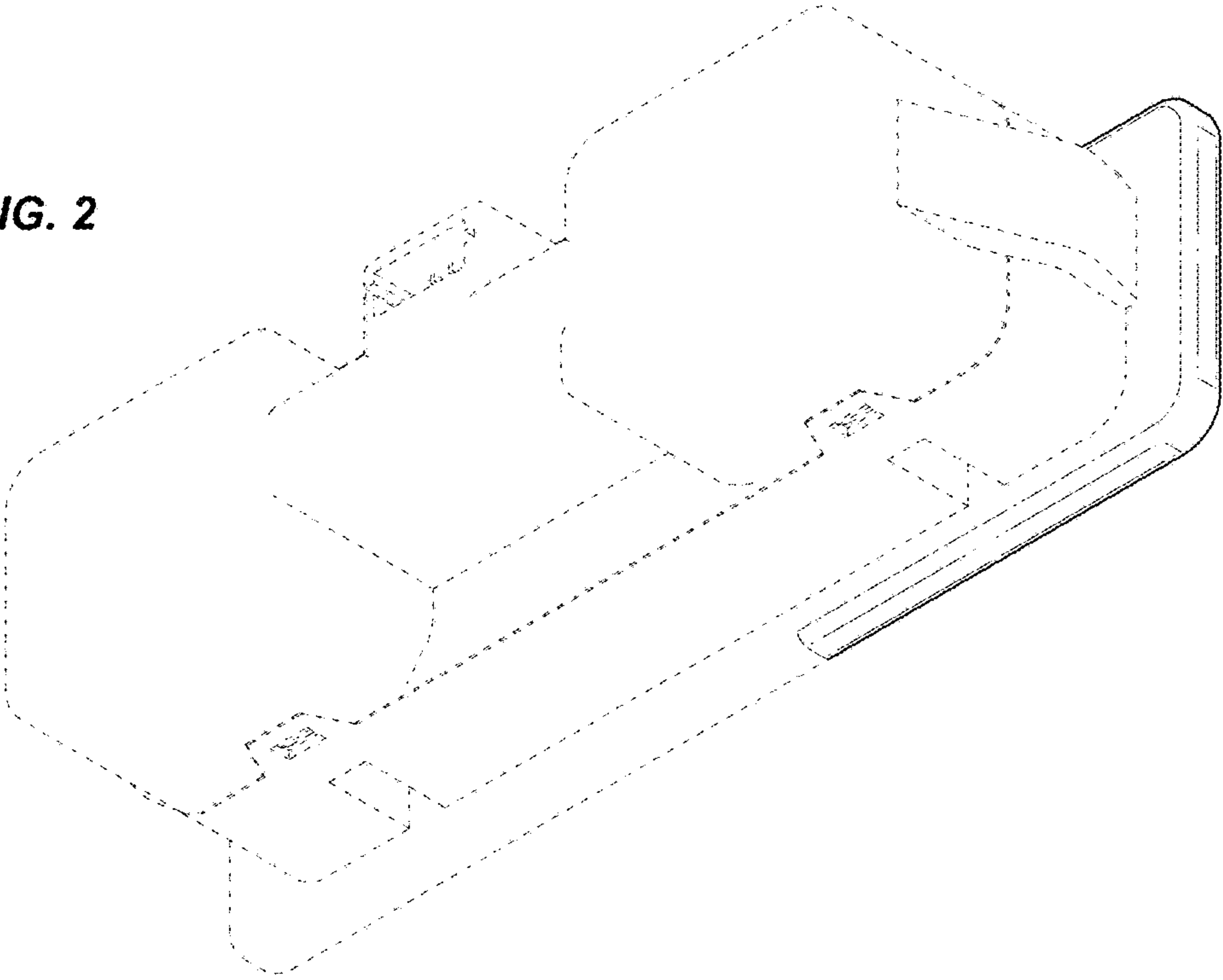


FIG. 3

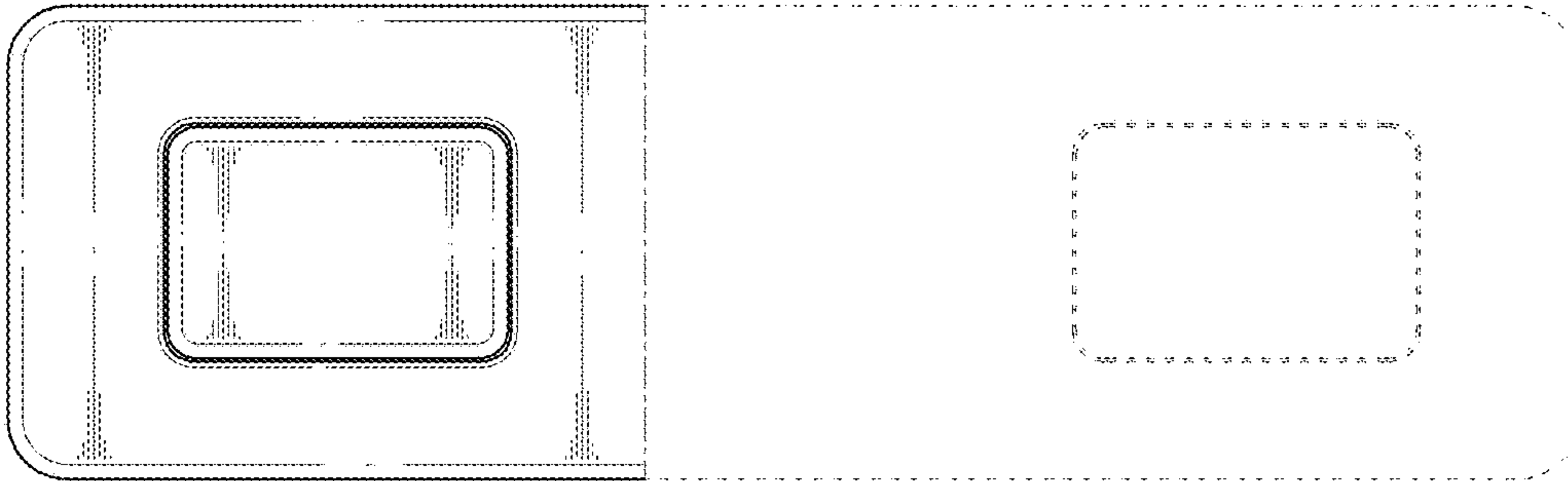


FIG. 4

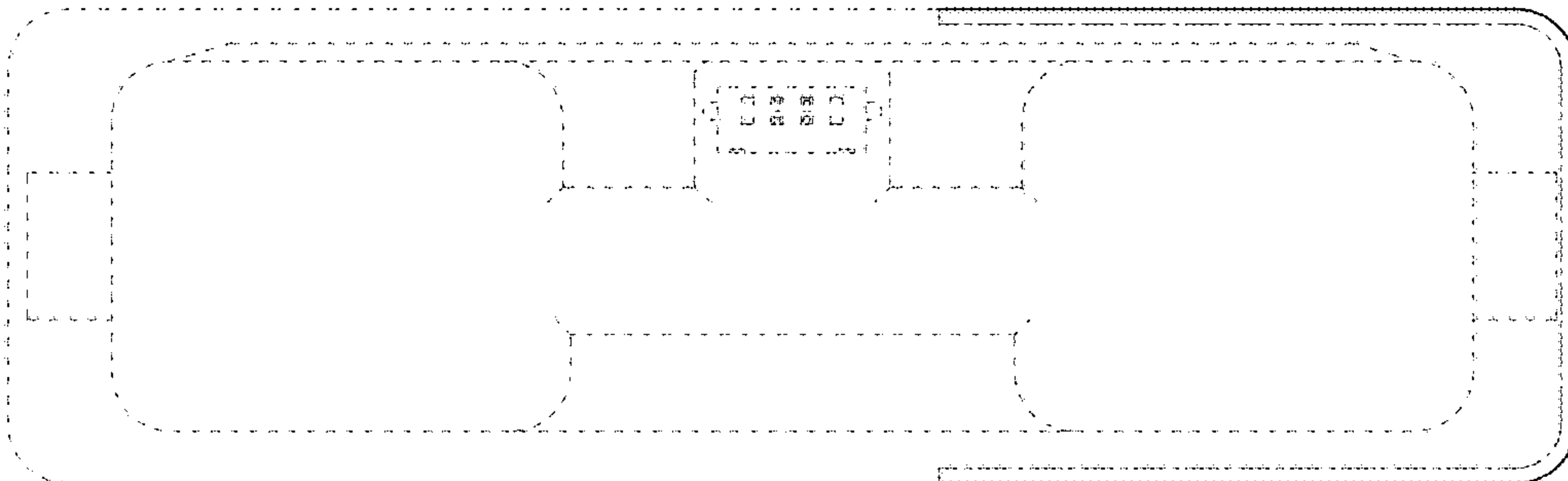


FIG. 5

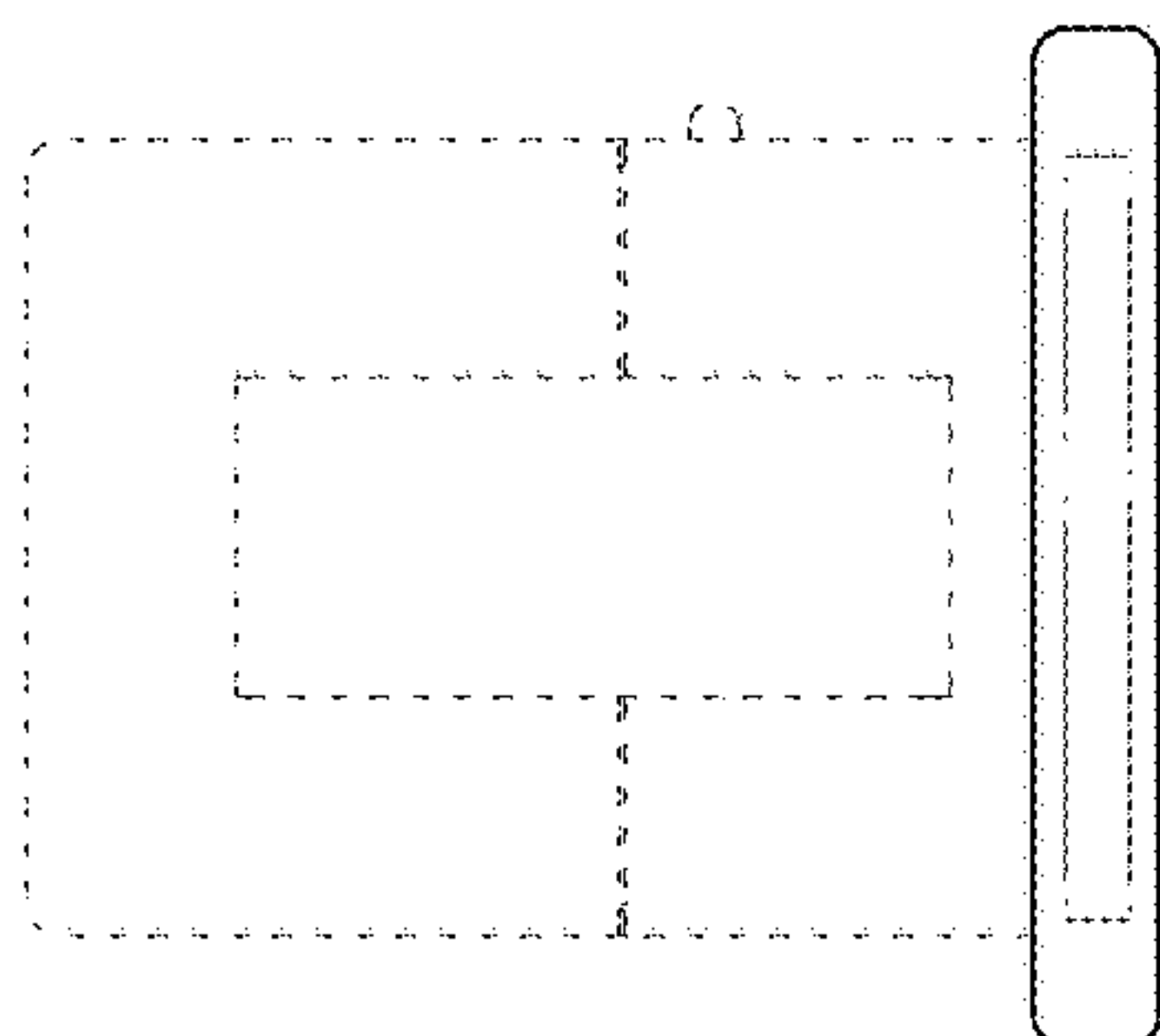


FIG. 6

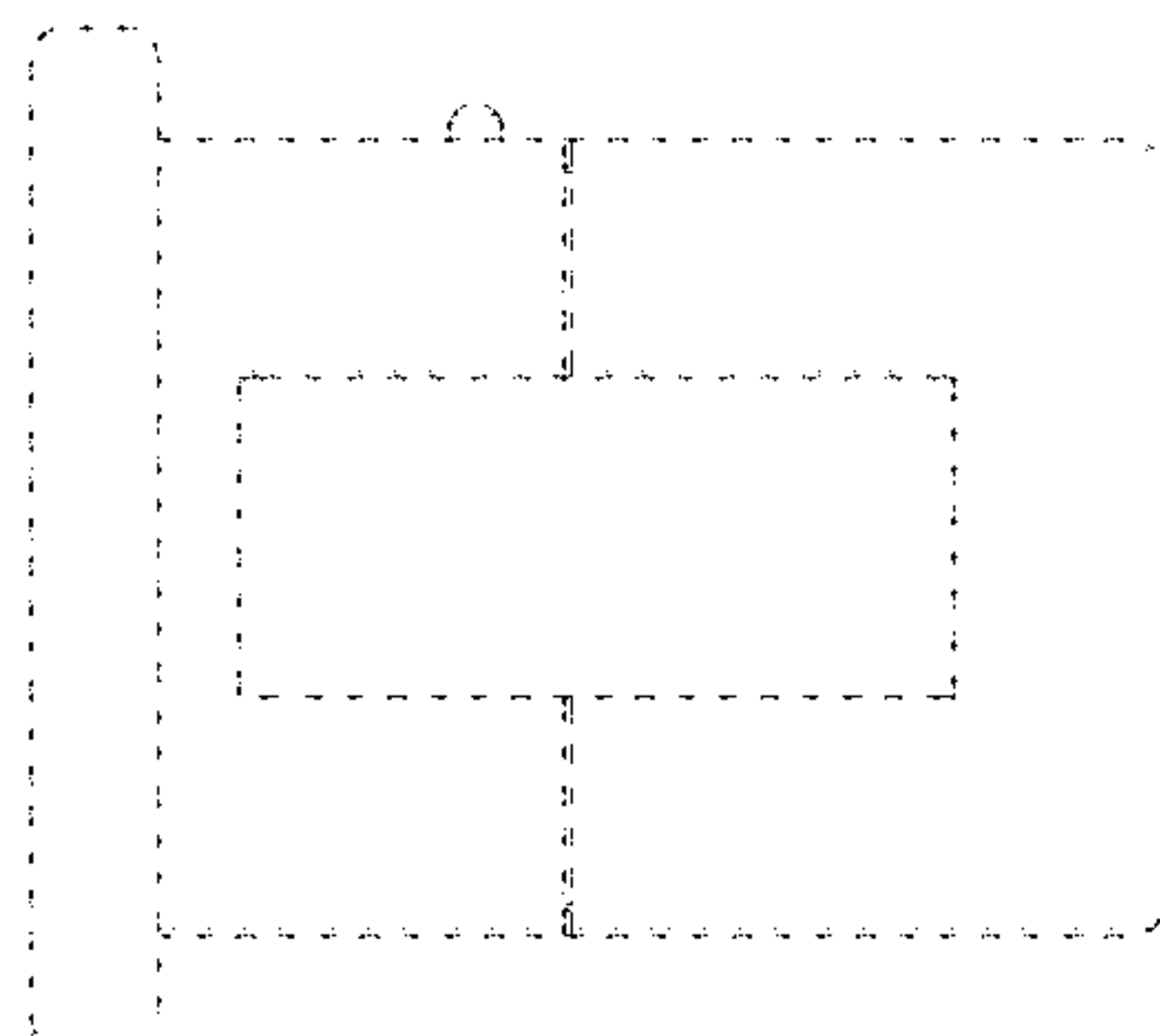


FIG. 7

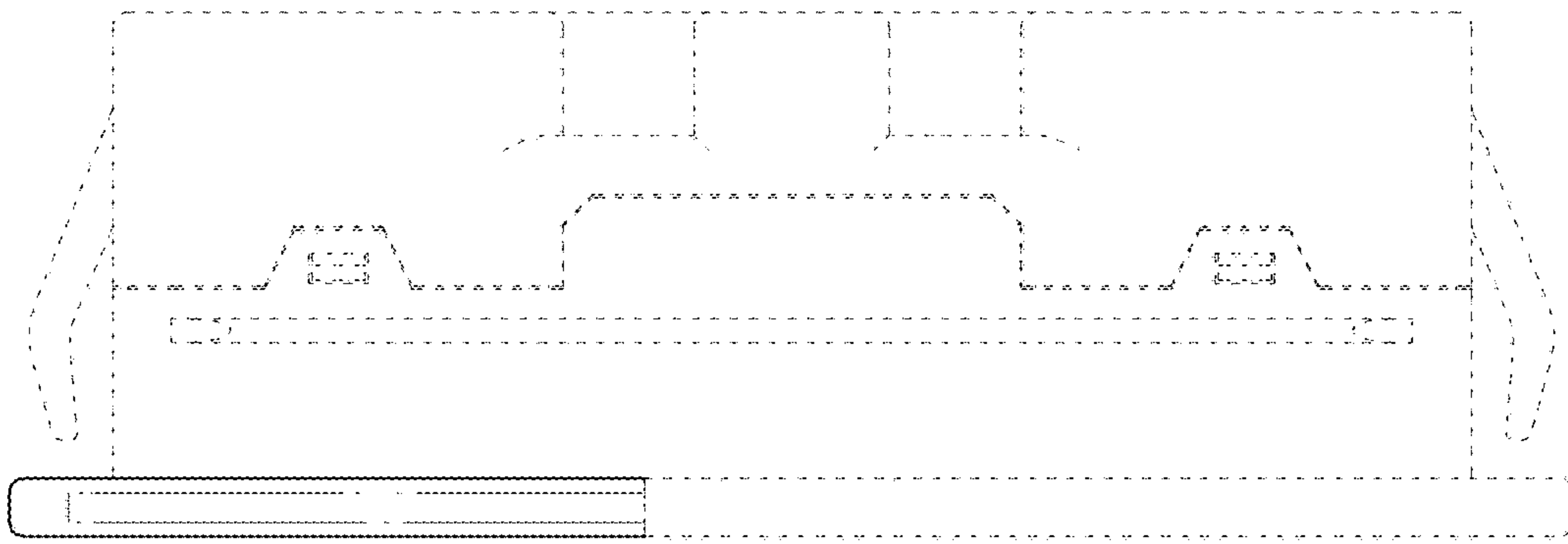


FIG. 8

