



US00D776068S

(12) **United States Design Patent**
Maffetone et al.

(10) **Patent No.:** **US D776,068 S**
(45) **Date of Patent:** **** Jan. 10, 2017**

(54) **CONTROL MODULE**

(71) Applicant: **ASA Electronics, LLC**, Elkhart, IN
(US)

(72) Inventors: **Gerald J. Maffetone**, Granger, IN
(US); **Vince Smith**, Bristol, IN (US)

(73) Assignee: **ASA Electronics, LLC**, Elkhart, IN
(US)

(**) Term: **14 Years**

(21) Appl. No.: **29/523,382**

(22) Filed: **Apr. 9, 2015**

(51) **LOC (10) Cl.** **13-03**

(52) **U.S. Cl.**
USPC **D13/162**

(58) **Field of Classification Search**
USPC D13/162, 171, 177; D8/350
CPC H01H 3/02; H01H 3/0213; H01H 3/08;
H01H 3/12; H01H 13/04; H01H 13/12;
H01H 13/14; H01H 13/70; H01H 13/76;
H01H 2003/028; H01H 9/04; H01H 9/08;
H01H 9/14; H01H 2019/008; H01H
2019/143; H05B 37/00; H05B
37/02; H05B 37/0209; H05B 39/04; H05K
5/0017

See application file for complete search history.

(56) **References Cited**

U.S. PATENT DOCUMENTS

4,133,990 A * 1/1979 Wanner H01H 19/63
200/11 R
4,724,286 A * 2/1988 Cummins H01H 3/0213
200/11 R

D356,567 S * 3/1995 Jones D13/162
D390,197 S * 2/1998 Thomas D13/174
D402,269 S * 12/1998 Waters D13/171
D477,286 S * 7/2003 Krajci D13/162
6,849,968 B2 * 2/2005 Park H01H 9/181
200/308
7,119,289 B2 * 10/2006 Lacroix H01H 13/70
200/5 A
7,470,869 B2 * 12/2008 Lin H01H 13/12
200/314
D595,240 S * 6/2009 Busbridge D13/164
D621,795 S * 8/2010 Tsui D13/171
D626,518 S * 11/2010 Teixeira Pinto Dias D13/171
9,167,660 B2 * 10/2015 Birch H05B 37/00

* cited by examiner

Primary Examiner — Selina Sikder

(74) *Attorney, Agent, or Firm* — Taylor IP, P.C.

(57) **CLAIM**

The ornamental design for a control module, as shown and described.

DESCRIPTION

FIG. 1 is a perspective view of a control module showing our new design, the portion in phantom lines in the figures forming no part of the claimed invention;

FIG. 2 is a front view thereof;

FIG. 3 is a rear view thereof;

FIG. 4 is a top view thereof;

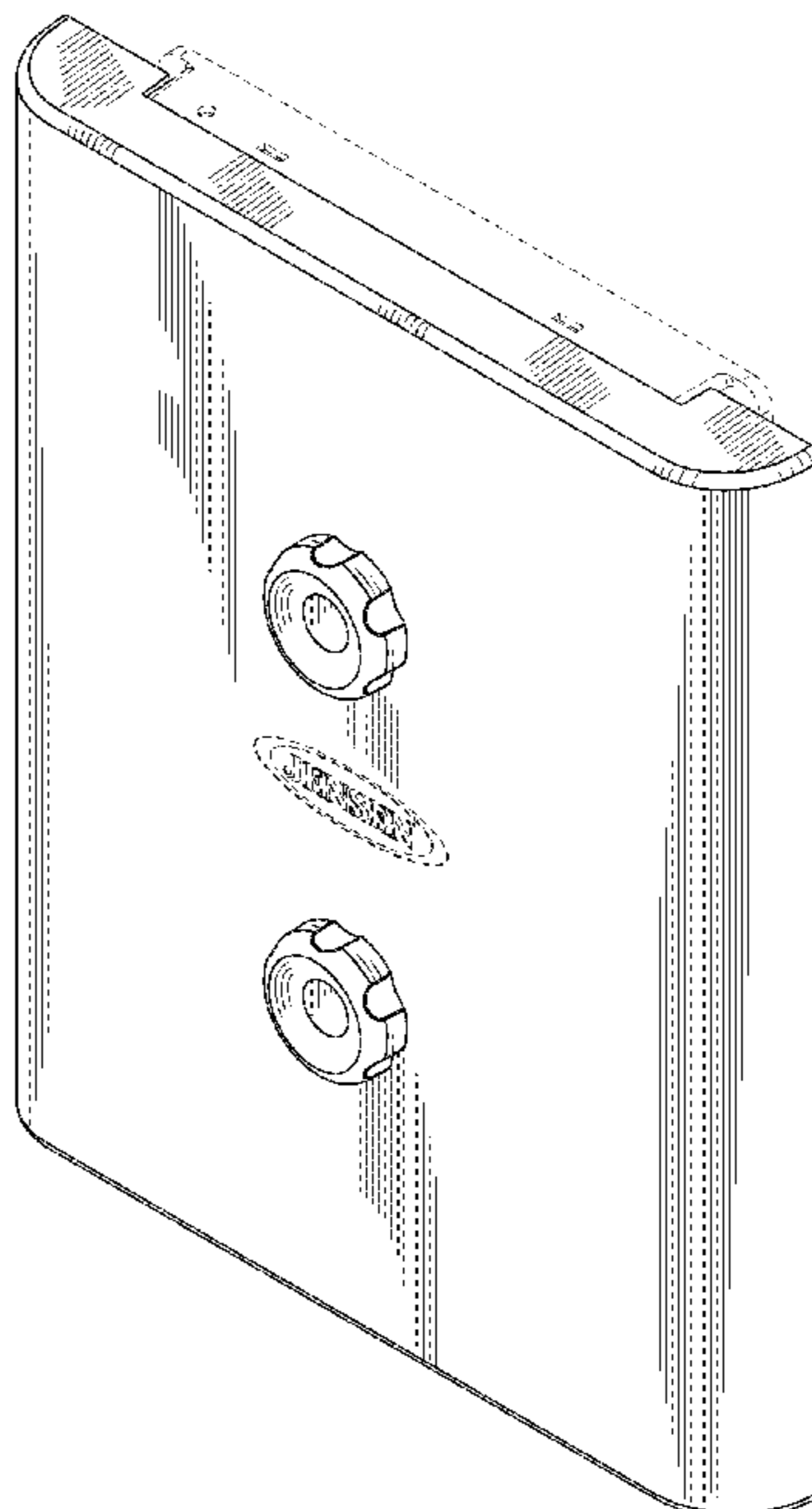
FIG. 5 is a bottom view thereof;

FIG. 6 is a side view thereof; and,

FIG. 7 is another side view thereof.

The broken lines shown of the control module are for illustrative purposes only and form no part of the claimed design.

1 Claim, 5 Drawing Sheets



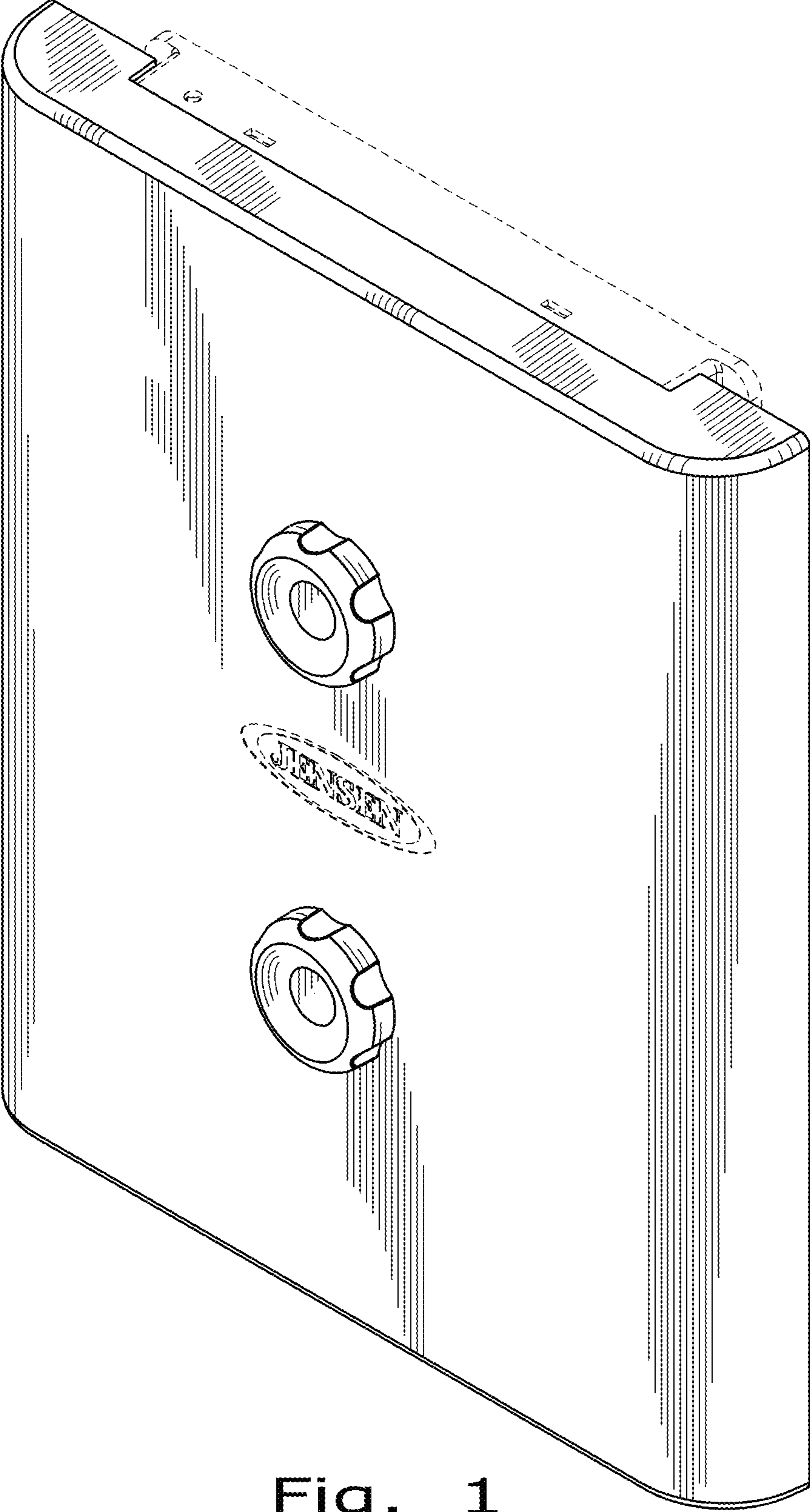


Fig. 1

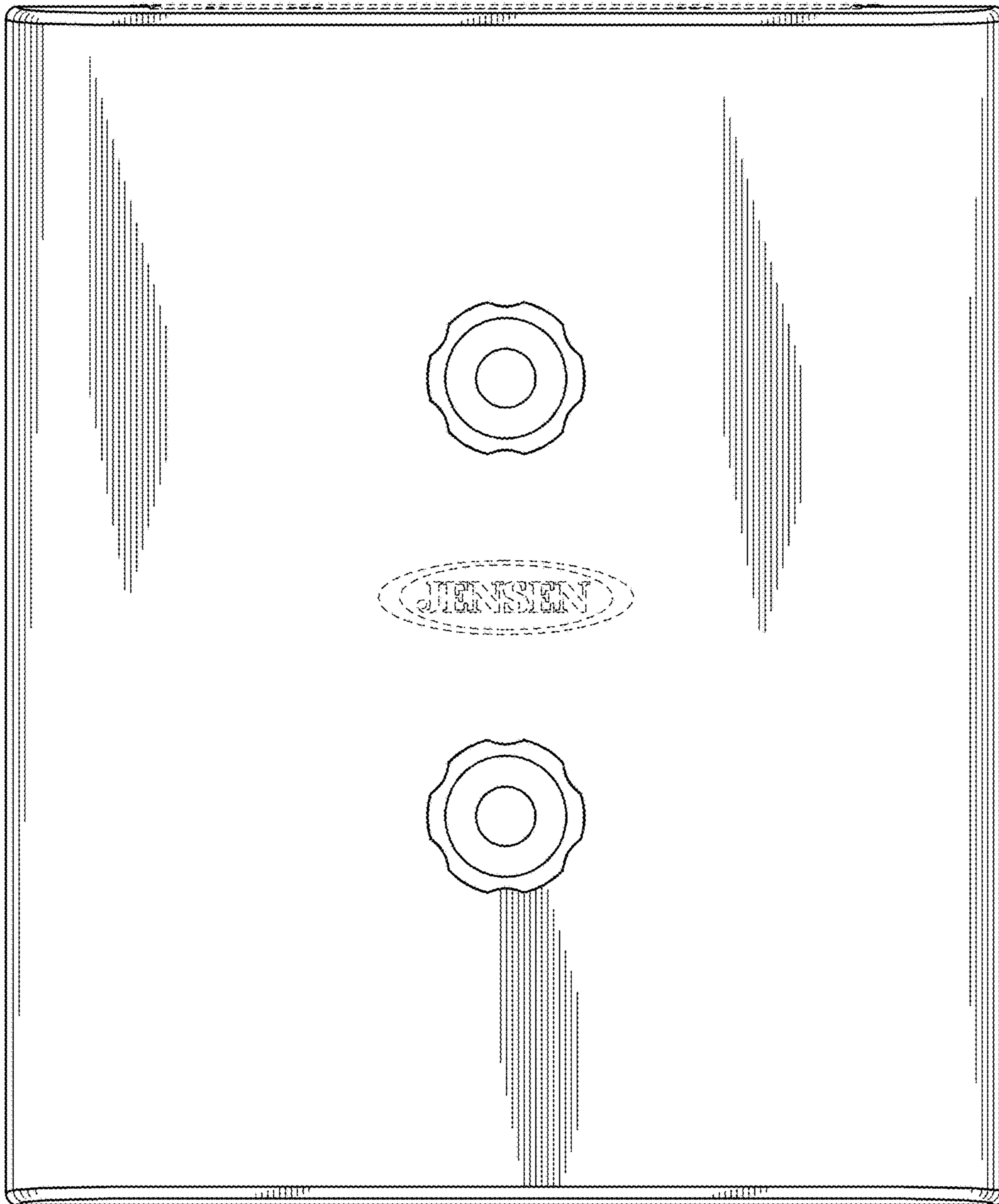


Fig. 2

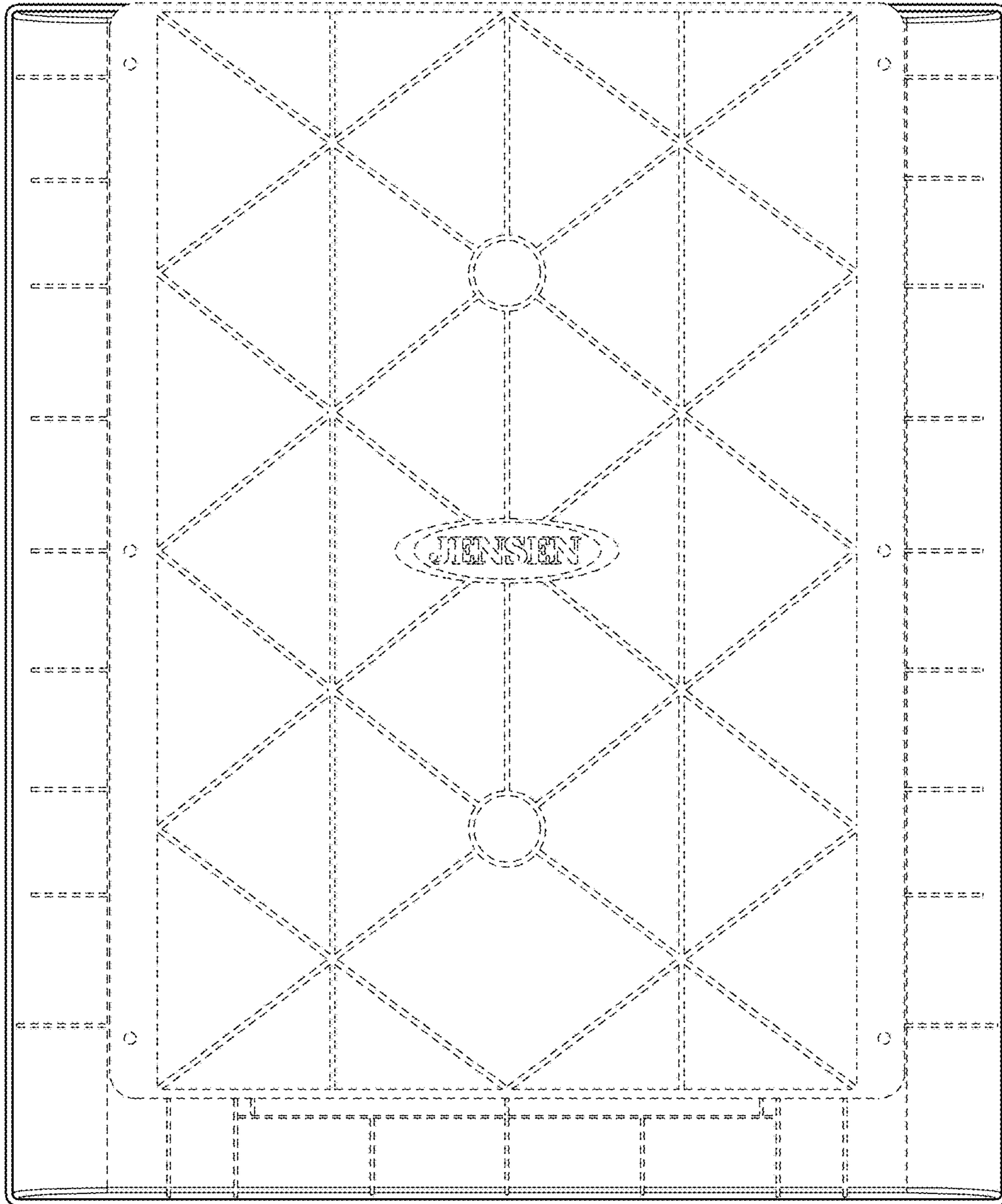


Fig. 3

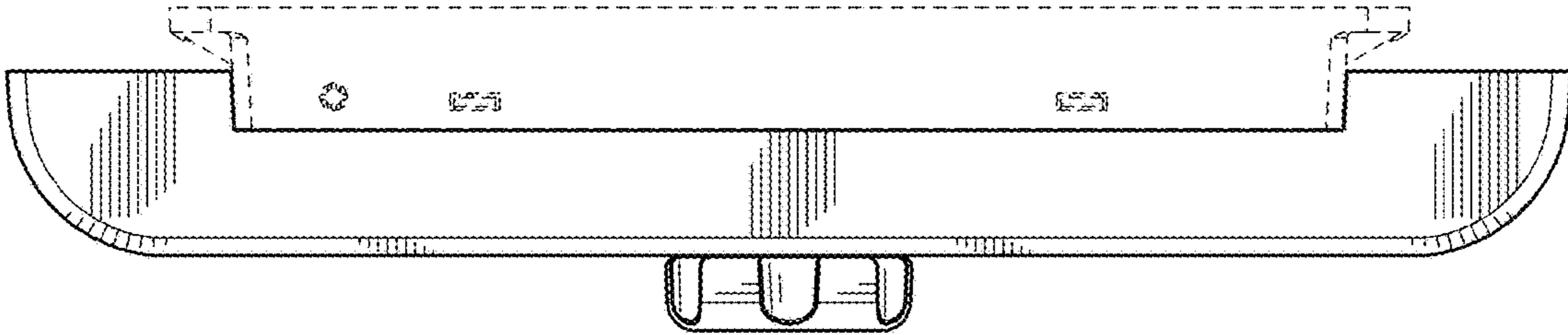


Fig. 4

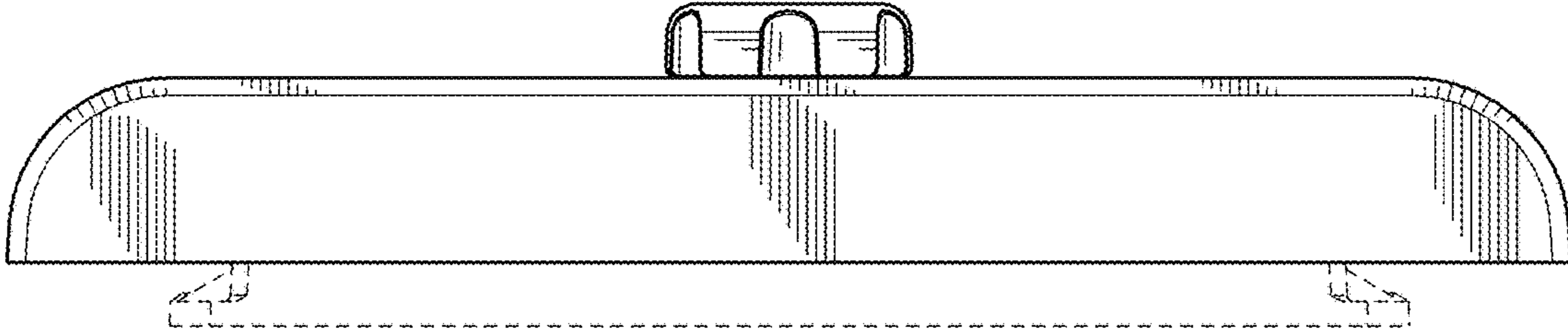


Fig. 5

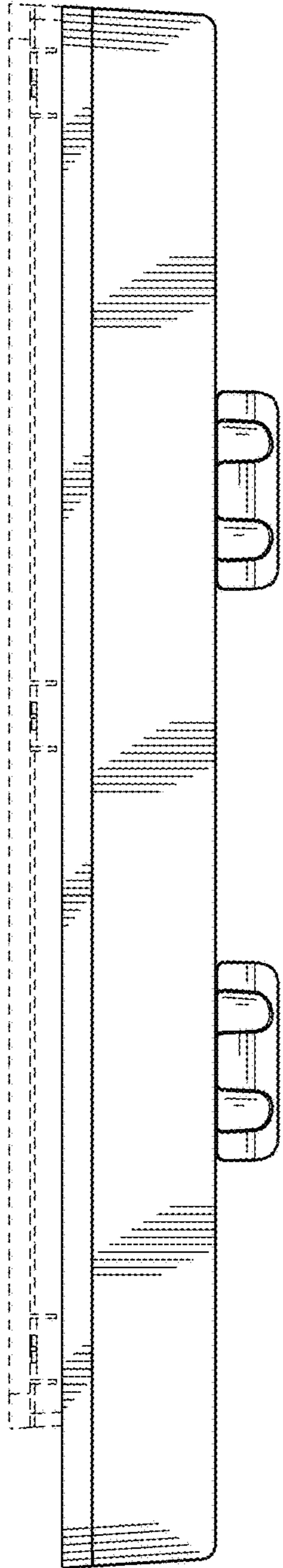


Fig. 6

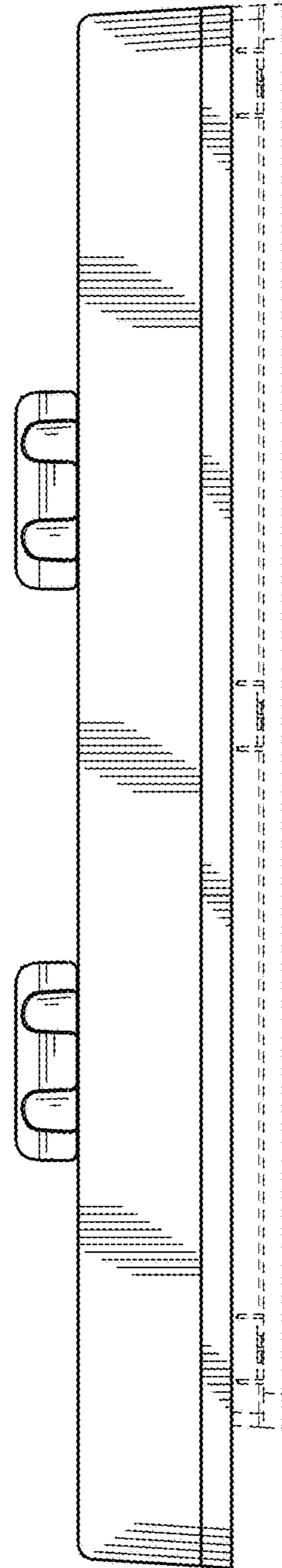


Fig. 7