



US00D776065S

(12) **United States Design Patent**
Naka

(10) **Patent No.:** **US D776,065 S**

(45) **Date of Patent:** **** *Jan. 10, 2017**

- (54) **MICROSWITCH**
- (71) Applicant: **OMRON Corporation**, Kyoto-shi, Kyoto (JP)
- (72) Inventor: **Mamiko Naka**, Okayama (JP)
- (73) Assignee: **OMRON CORPORATION**, Kyoto (JP)
- (*) Notice: This patent is subject to a terminal disclaimer.

- 3,157,759 A * 11/1964 Kudalis H01H 13/06
200/286
- 3,309,476 A * 3/1967 McKie H01H 5/18
200/407
- 3,449,700 A * 6/1969 Gillilan H01H 5/02
335/188
- 3,541,281 A * 11/1970 Krieger H01H 13/36
200/452
- 3,857,003 A * 12/1974 Nishio H01H 13/40
200/409
- 4,168,412 A * 9/1979 Smith H01H 13/36
200/456

(Continued)

(**) Term: **14 Years**

FOREIGN PATENT DOCUMENTS

(21) Appl. No.: **29/515,650**

JP 2014-017139 8/2014

(22) Filed: **Jan. 26, 2015**

OTHER PUBLICATIONS

(30) **Foreign Application Priority Data**

Order for Japanese Design Application No. 2014-017138 dated May 12, 2015 with English language translation.

Aug. 6, 2014 (JP) 2014-017138

(Continued)

(51) **LOC (10) Cl.** **13-03**

(52) **U.S. Cl.**
USPC **D13/158**

(58) **Field of Classification Search**
USPC D13/158, 160, 169, 171; 200/573, 276
CPC H01H 3/001; H01H 5/00; H01H 5/045;
H01H 13/06; H01H 13/063; H01H 13/10;
H01H 13/186; H01H 13/12; H01H 13/14;
H01H 13/36; H01H 19/62

See application file for complete search history.

Primary Examiner — Selina Sikder

(74) *Attorney, Agent, or Firm* — Harness, Dickey & Pierce, P.L.C.

(57) **CLAIM**

The ornamental design for a microswitch, as shown and described.

DESCRIPTION

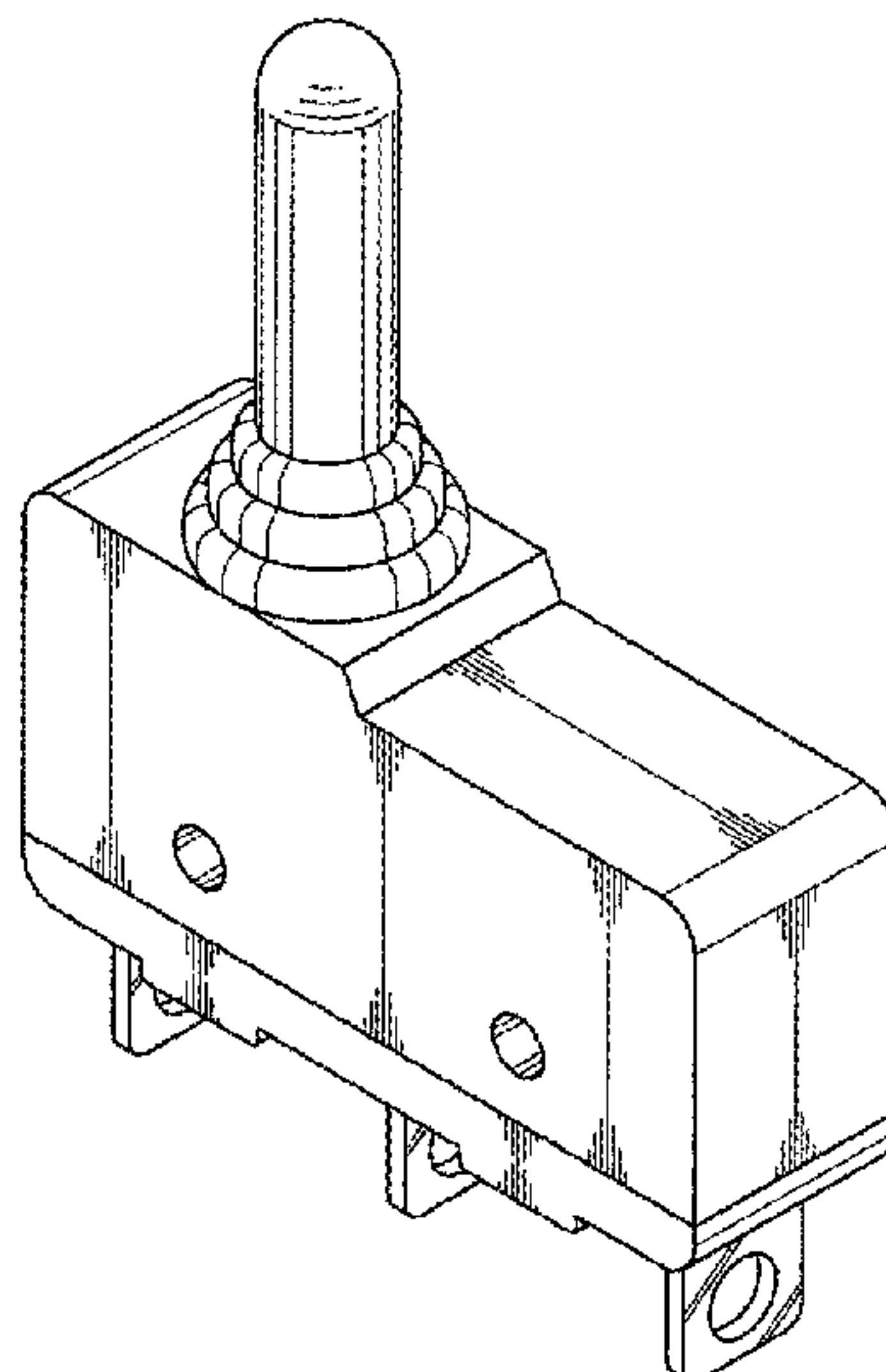
(56) **References Cited**

U.S. PATENT DOCUMENTS

- 2,487,922 A * 11/1949 Dechant B60Q 9/003
200/276
- 2,511,526 A * 6/1950 Bugge H01H 13/36
200/275
- 3,144,537 A * 8/1964 Kiwi H01H 13/06
200/332.1

FIG. 1 is a perspective view of a microswitch;
FIG. 2 is a front elevational view thereof, the undisclosed rear elevational view being a mirror image thereof
FIG. 3 is a left side view thereof;
FIG. 4 is a right side view thereof;
FIG. 5 is a top plan view thereof; and,
FIG. 6 is a bottom plan view thereof.

1 Claim, 2 Drawing Sheets



(56)

References Cited

U.S. PATENT DOCUMENTS

4,230,922 A * 10/1980 Habecker H01H 13/063
200/302.2
4,384,176 A * 5/1983 Chestnut H01H 15/102
200/1 A
D294,346 S * 2/1988 Holmes D13/171
D294,823 S * 3/1988 Holmes D13/171
4,904,832 A 2/1990 Nagahara et al.
5,043,545 A * 8/1991 Yamashita H01H 13/10
200/284
5,566,819 A * 10/1996 Lustgarten H01H 13/36
200/407
6,326,570 B1 * 12/2001 Fujii H01H 1/36
200/341
6,998,556 B1 * 2/2006 Ho H01H 13/12
200/531
7,087,851 B2 * 8/2006 Mayer H01H 3/001
200/405
7,442,895 B2 * 10/2008 Bauer H01H 1/42
200/531

7,538,291 B1 * 5/2009 Cheng H01H 13/36
200/468
8,440,927 B2 * 5/2013 Lin H01H 1/26
200/408
8,816,230 B2 * 8/2014 Fang H01H 13/36
200/461
D728,472 S * 5/2015 Abe D13/110
D743,917 S * 11/2015 Muramoto D13/171
2005/0109601 A1 * 5/2005 Collot H01H 13/36
200/402
2009/0308721 A1 * 12/2009 Beaulieu C25C 3/14
200/276
2010/0236912 A1 * 9/2010 Anaya H01H 11/0006
200/468
2015/0206670 A1 7/2015 Shiraishi

OTHER PUBLICATIONS

U.S. Notice of Allowance dated Apr. 25, 2016 issued in copending
U.S. Appl. No. 29/515,493.

* cited by examiner

Fig. 1

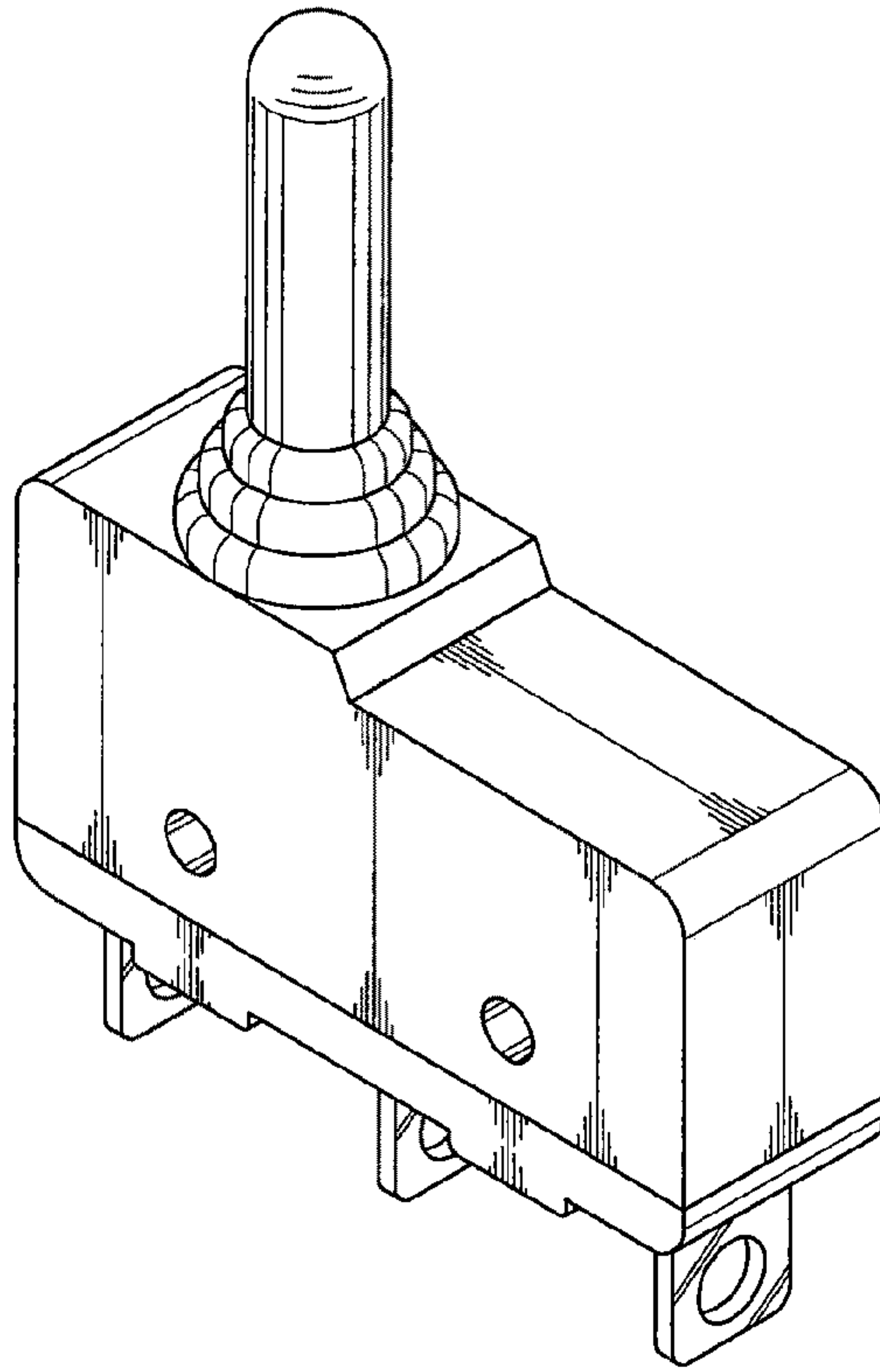


Fig. 2

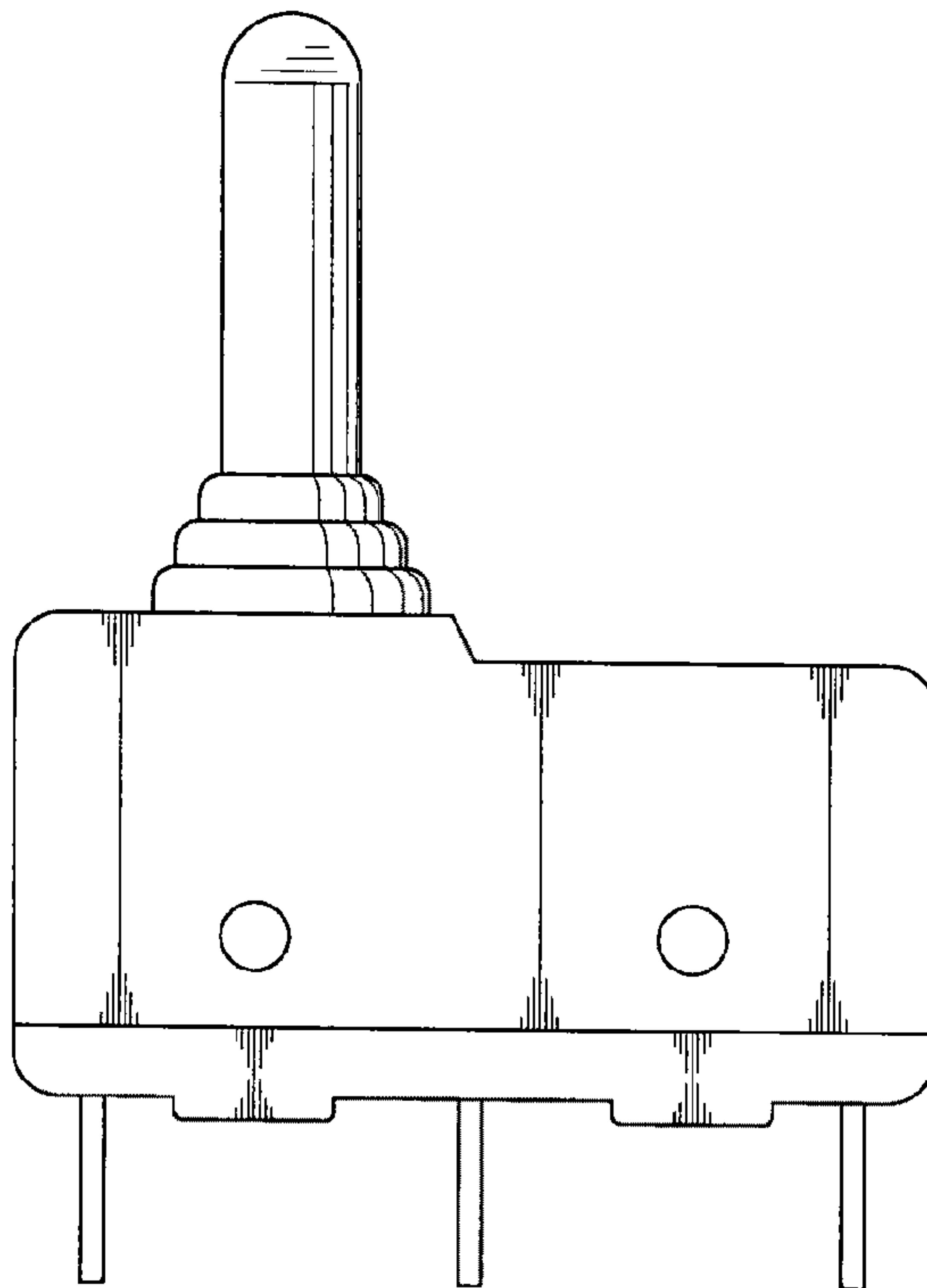


Fig. 3

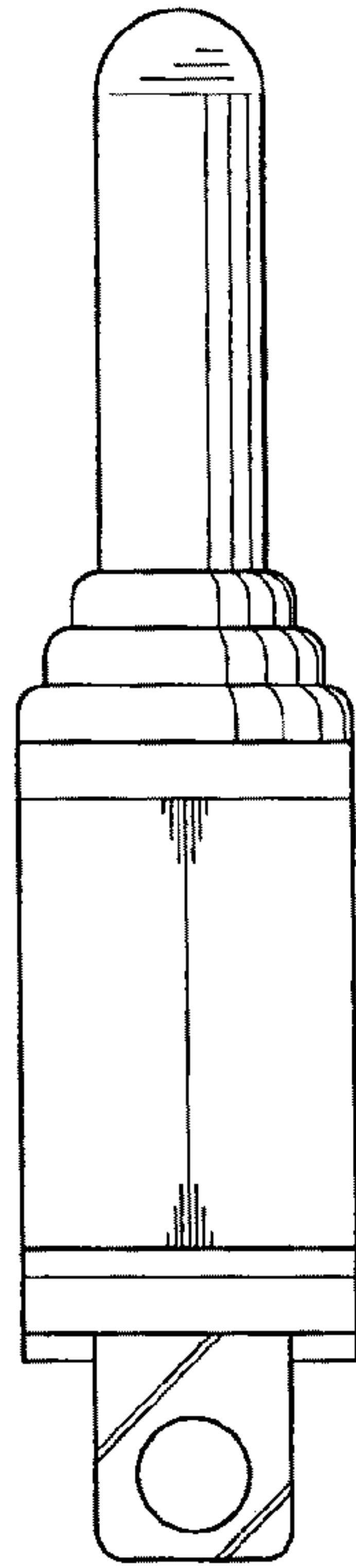


Fig. 4

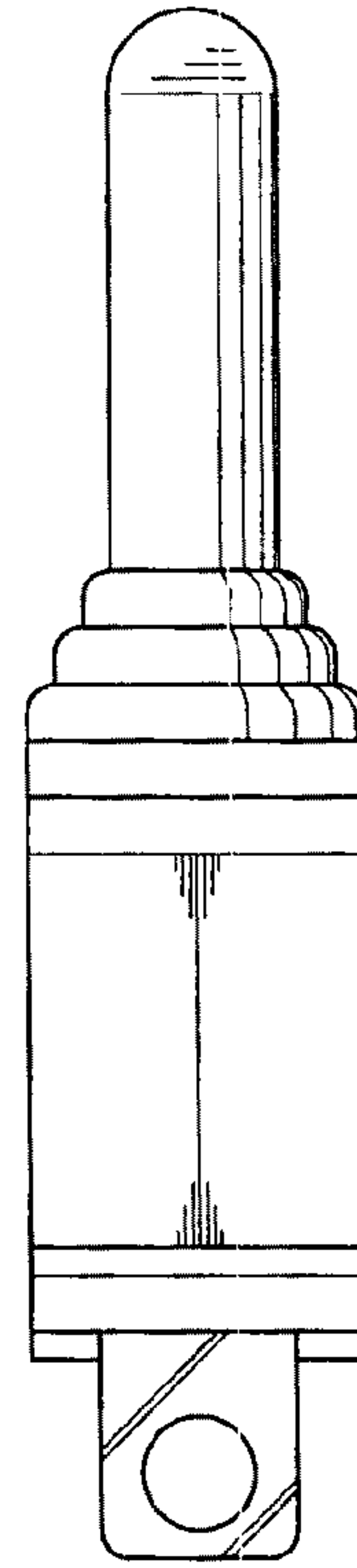


Fig. 5

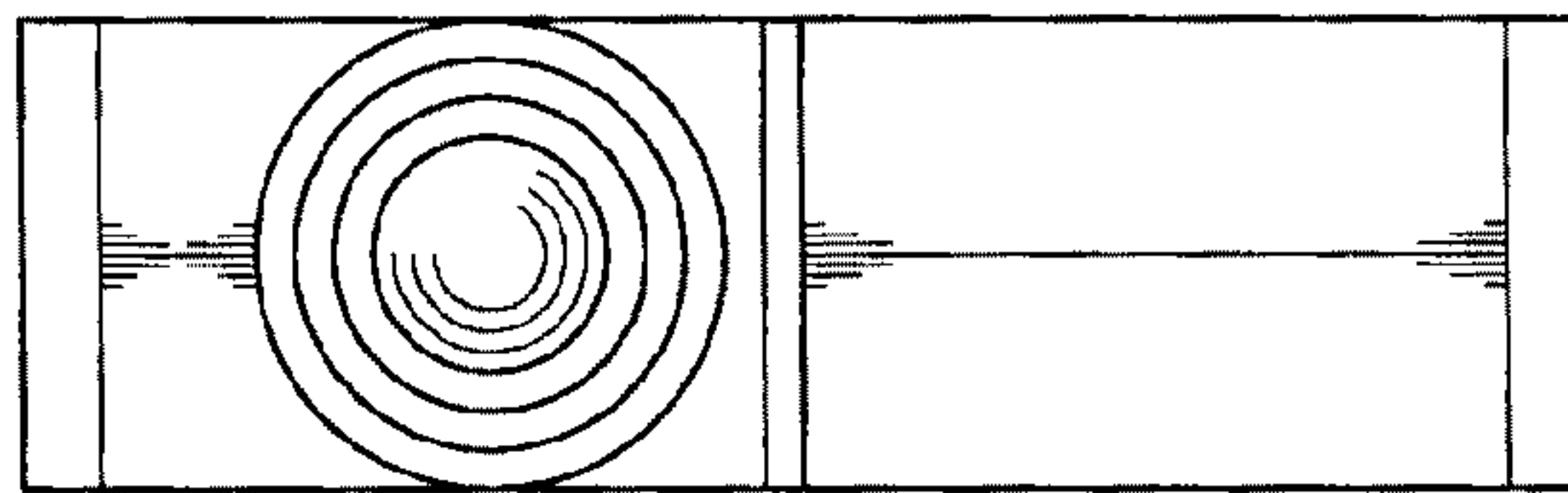


Fig. 6

