



US00D776064S

(12) **United States Design Patent**  
**Insalaco**

(10) **Patent No.:** **US D776,064 S**  
(45) **Date of Patent:** **\*\* Jan. 10, 2017**

- (54) **INDOOR ELECTRICAL WALL OUTLET COVER**
- (71) Applicant: **Socket Solutions, LLC**, Houston, TX (US)
- (72) Inventor: **Michael George Insalaco**, Houston, TX (US)
- (73) Assignee: **Socket Solutions, LLC**, Houston, TX (US)
- (\*\*) Term: **15 Years**
- (21) Appl. No.: **29/561,318**
- (22) Filed: **Apr. 14, 2016**
- (51) **LOC (10) Cl.** ..... **13-03**
- (52) **U.S. Cl.**  
USPC ..... **D13/156; D13/137.4**
- (58) **Field of Classification Search**  
USPC ..... D13/110, 120-122, 123, 133, 137.1, D13/137.4, 139.1, 139.4, 152, 154, 155, D13/156, 158, 162, 164, 173, 177, 184, D13/199; 174/67, 66; 439/147-149, 373, 439/391, 535, 536, 538; 220/241, 242; 361/600, 707, 752; D8/356, 358  
CPC ..... H02G 3/14; H02G 3/081; H02G 11/02; H05K 5/0217; H01R 13/447; B65H 2701/34  
See application file for complete search history.

- 8,905,780 B2 \* 12/2014 Vallon ..... H01R 13/72 439/501
- D735,678 S \* 8/2015 Wyatt ..... D13/156
- D740,227 S \* 10/2015 Symons ..... D13/137.4
- D747,722 S \* 1/2016 Webb ..... D14/433
- D764,417 S \* 8/2016 Siller ..... D13/156
- 2014/0024247 A1 \* 1/2014 Riesgaard ..... H01R 31/06 439/502

\* cited by examiner

*Primary Examiner* — Derrick Holland  
*Assistant Examiner* — Jennifer O King

(74) *Attorney, Agent, or Firm* — Karen B. Tripp

(57) **CLAIM**

I claim the ornamental design for an indoor electrical wall outlet cover, as shown and described.

**DESCRIPTION**

A new design for an indoor electrical wall outlet cover with an electrically functional cord is described in the following specification. The design is thin enough to avoid adding bulk to the outlet, thereby enabling furniture to effectively be positioned against the wall, while also effectively covering the outlet so as to act as a child safety device while still allowing ready access to the electrical connection that the outlet affords.

FIG. 1 is a perspective back view of an indoor electrical wall outlet cover of my new design;  
FIG. 2 is a back view thereof;  
FIG. 3 is a front view thereof;  
FIG. 4 is a right side view thereof;  
FIG. 5 is a left side view thereof;  
FIG. 6 is a top plan view thereof; and,  
FIG. 7 is a bottom plan view thereof.

The cord is shown with a symbolic break in its length. The appearance of any portion of the article between the break lines forms no part of the claimed design.

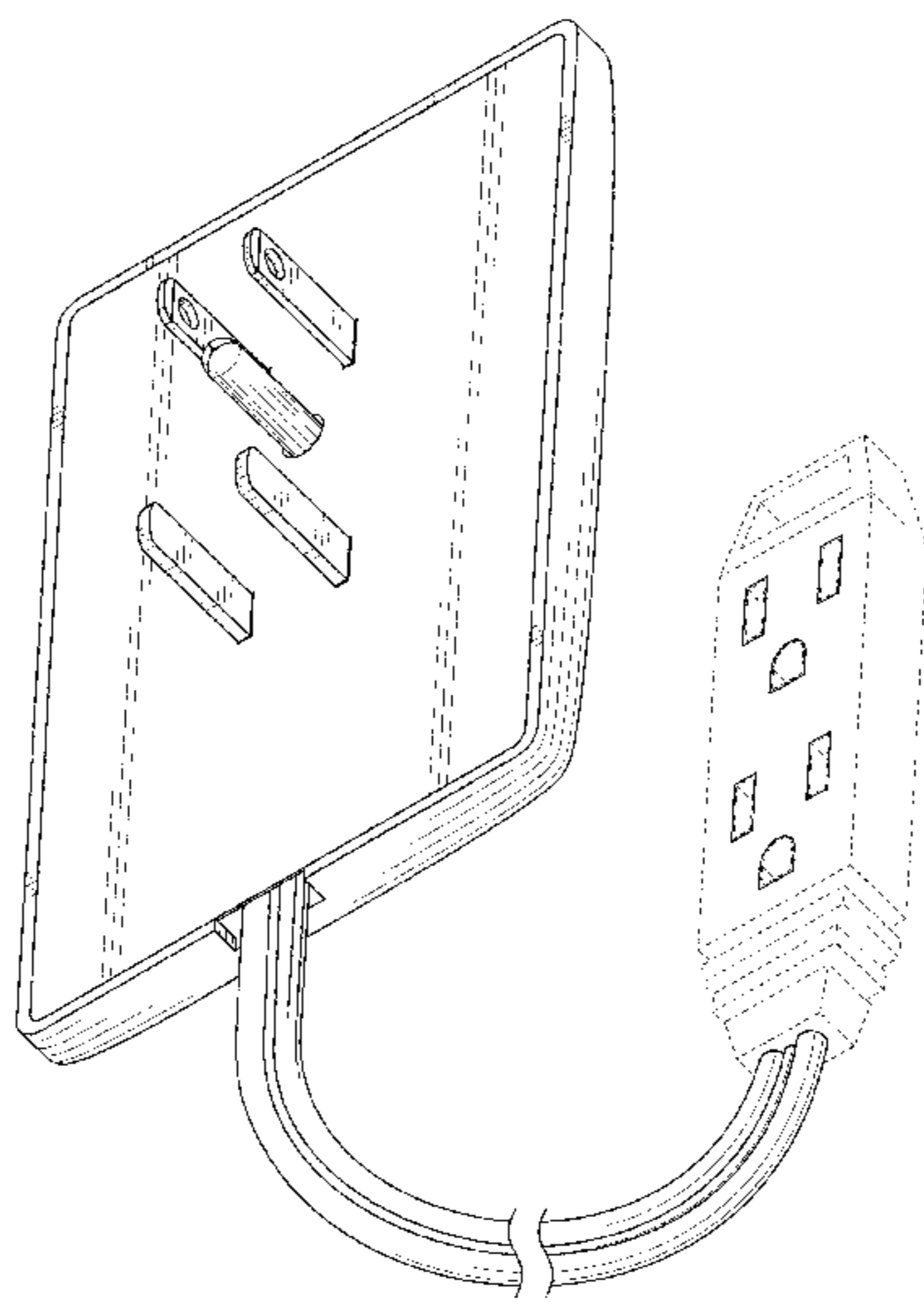
The broken lines shown represent unclaimed subject matter and form no part of the claimed design.

(56) **References Cited**

U.S. PATENT DOCUMENTS

- D199,528 S \* 11/1964 Danner ..... D13/137.4
- D324,670 S \* 3/1992 Ferraro ..... D13/137.4
- D346,361 S \* 4/1994 Richey ..... D13/156
- D399,488 S \* 10/1998 Williams ..... D13/139.7
- D520,950 S \* 5/2006 Mahoney ..... D13/139.8
- 7,229,322 B2 \* 6/2007 Bangert ..... H01R 25/003 439/13
- D673,506 S \* 1/2013 Fishman ..... D13/156

**1 Claim, 5 Drawing Sheets**



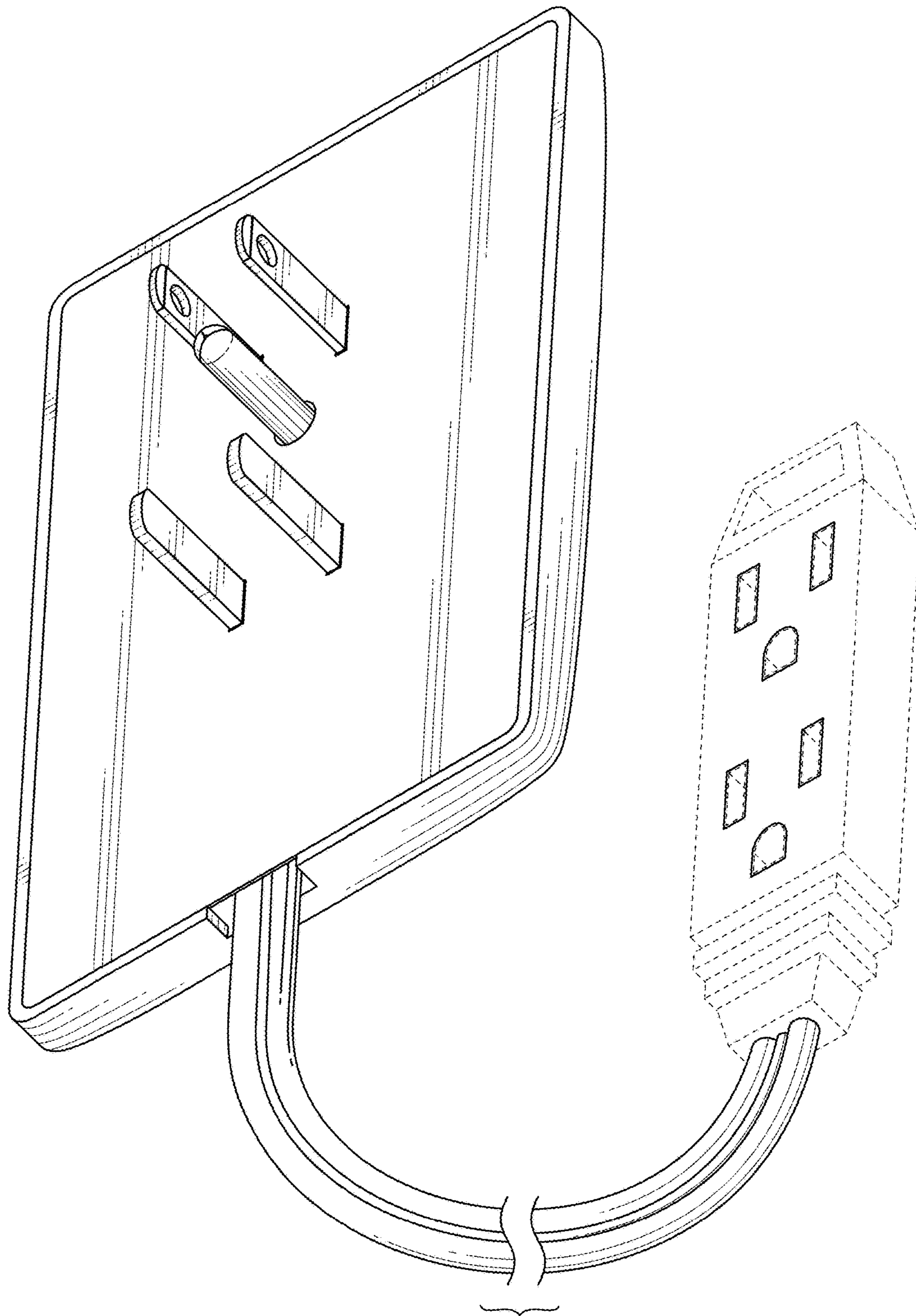


FIG. 1

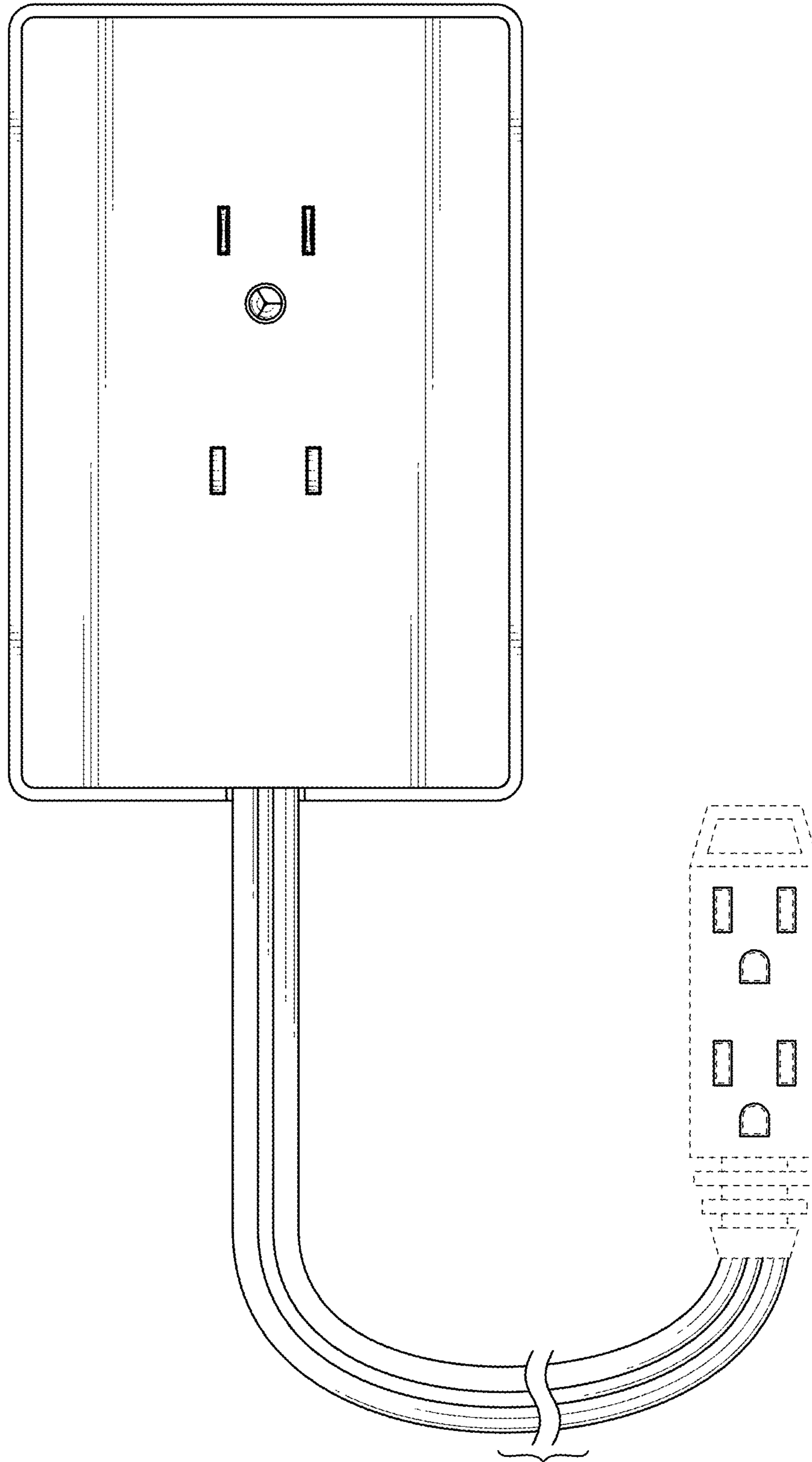


FIG. 2

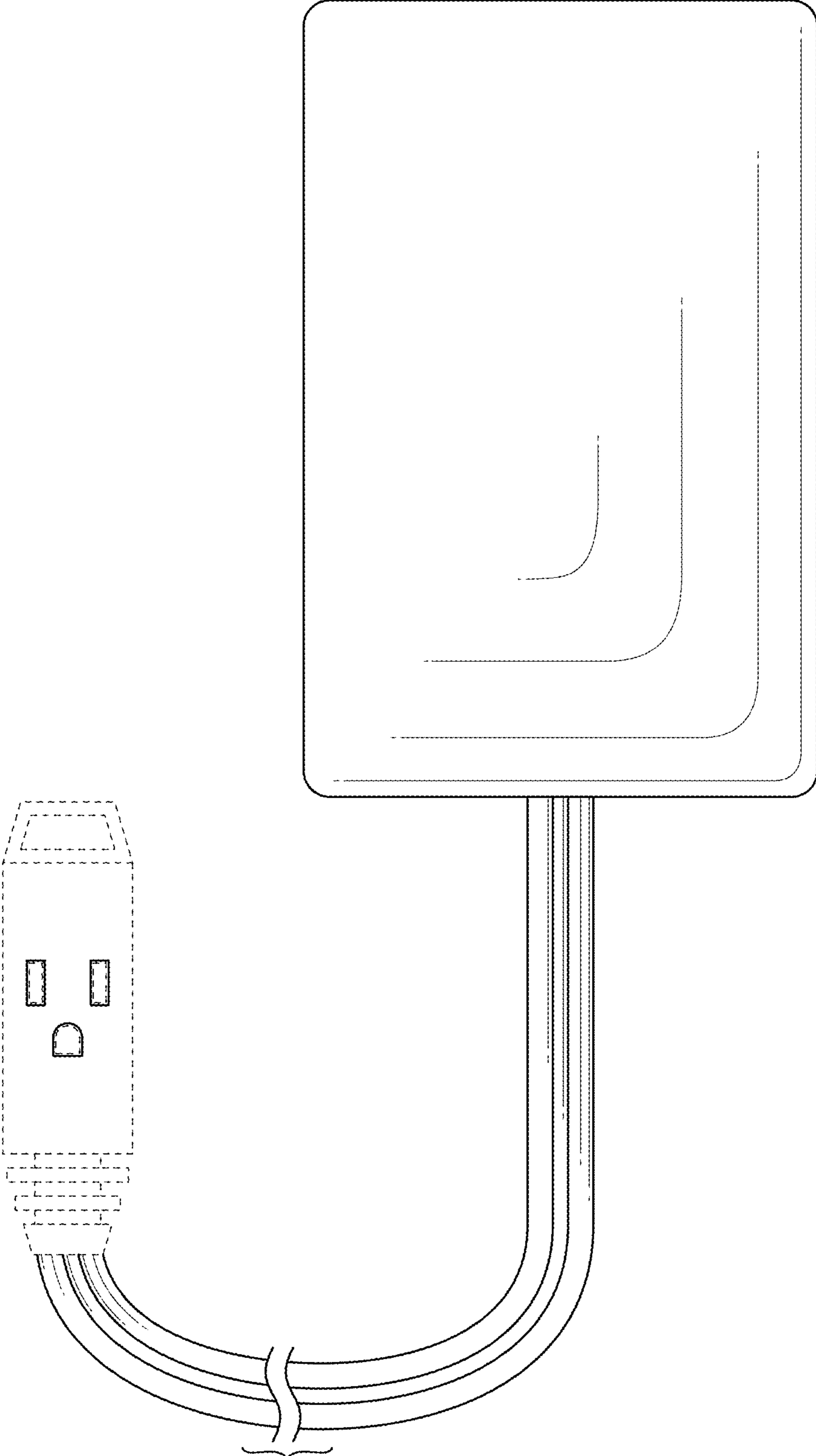


FIG. 3

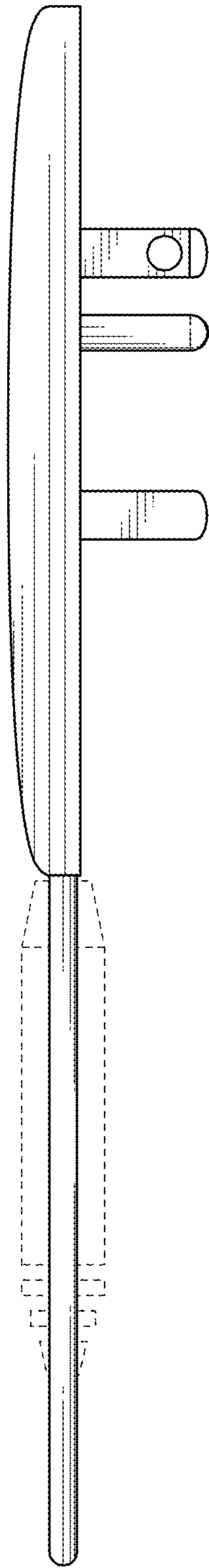


FIG. 4

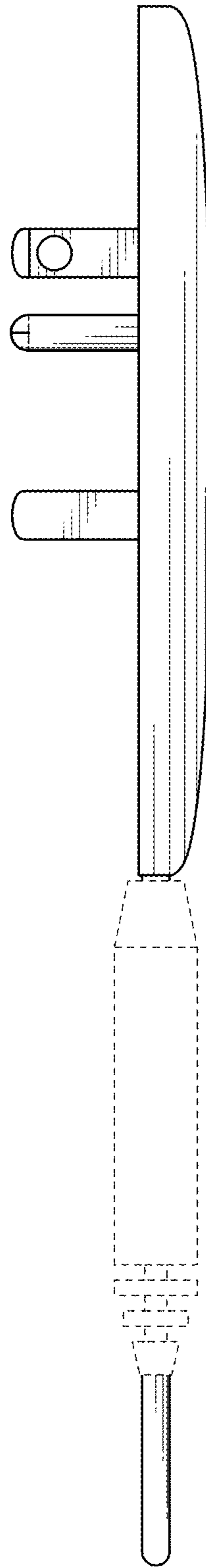


FIG. 5

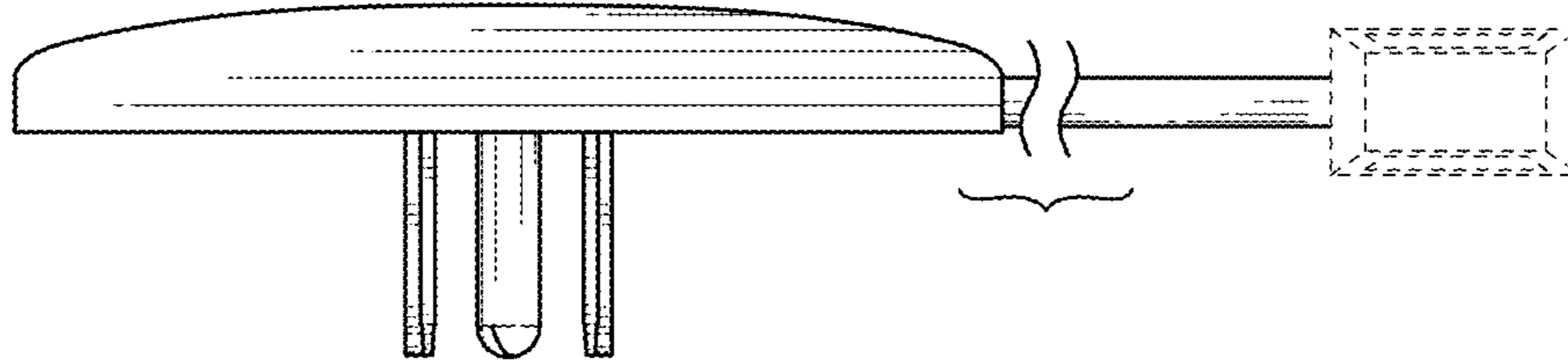


FIG. 6

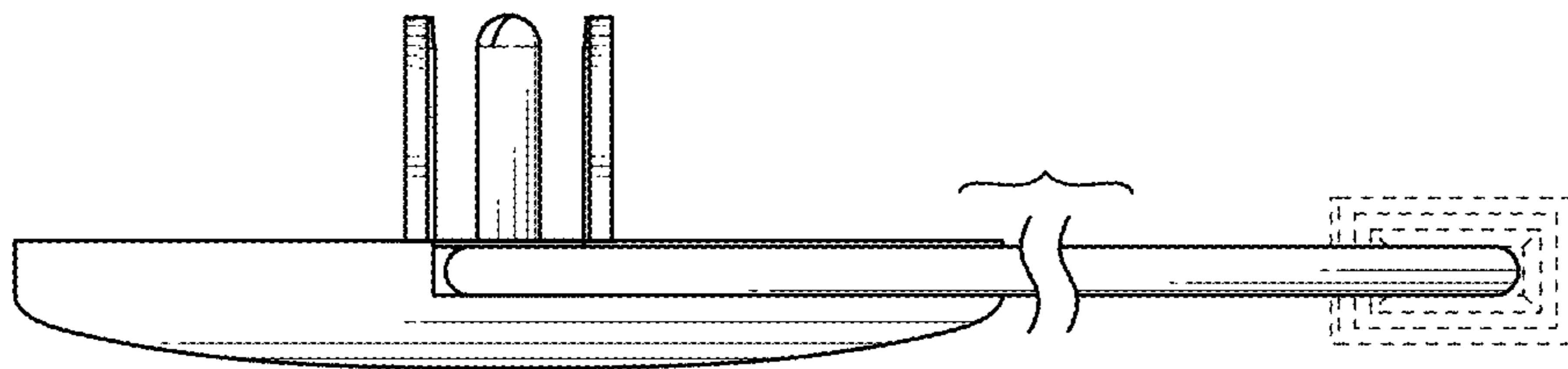


FIG. 7