



US00D776063S

(12) **United States Design Patent** (10) **Patent No.:** **US D776,063 S**
Cardin et al. (45) **Date of Patent:** **** Jan. 10, 2017**

(54) **ENTRANCE CAP** 3,328,513 A * 6/1967 Goldsobel 174/81
3,337,689 A * 8/1967 Rudolph et al. 174/80
(71) Applicant: **Thomas & Betts International, Inc.,** 3,361,938 A 1/1968 Watson
Wilmington, DE (US) 3,402,846 A * 9/1968 Zerwes 220/3.8
3,502,785 A 3/1970 Nickola
(72) Inventors: **Daniel Cardin,** Sainte-Julie (CA); 3,524,477 A 8/1970 Steger
Marie-Ève Bernard, 3,614,538 A 10/1971 Nickola
St-Jean-sur-Richelieu (CA); **Benoît** 3,691,288 A 9/1972 Sturdivan
Orban, Saint-Lambert (CA); **Patrick** 3,868,080 A 2/1975 Olson
Mainville, Montréal (CA); **Daniel**
Lalancette, St-Jean-sur-Richelieu (CA) (Continued)

FOREIGN PATENT DOCUMENTS

(73) Assignee: **Thomas & Betts International LLC,** CA 2062256 9/1993
Wilmington, DE (US) CA 2311518 A1 6/1999
(Continued)

(**) Term: **14 Years**

OTHER PUBLICATIONS

(21) Appl. No.: **29/451,534**

Co-pending U.S. Appl. No. 13/839,045, filed Mar. 15, 2013.

(22) Filed: **Apr. 3, 2013**

Primary Examiner — Derrick Holland

(51) **LOC (10) Cl.** **13-03**

Assistant Examiner — Jennifer O King

(52) **U.S. Cl.**
USPC **D13/156**

(74) *Attorney, Agent, or Firm* — Taft Stettinius & Hollister LLP

(58) **Field of Classification Search**
USPC D13/101, 133, 153, 154, 155, 156, 145,
D13/199; 174/84 R, 88 R, 174
See application file for complete search history.

(57) **CLAIM**

The ornamental design for an entrance cap, as shown and described.

(56) **References Cited**

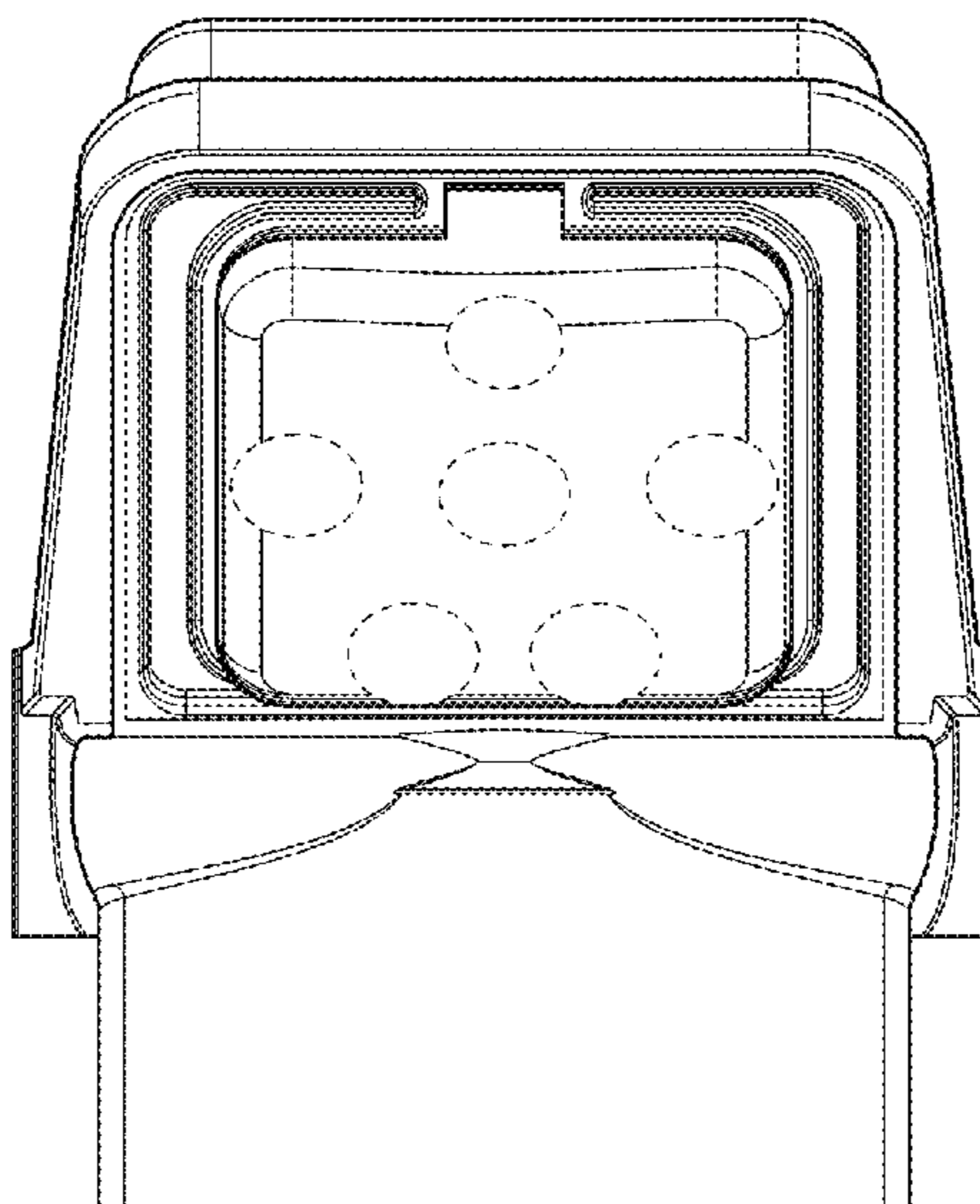
DESCRIPTION

U.S. PATENT DOCUMENTS

927,218 A * 7/1909 Burns 174/81
1,005,002 A * 10/1911 Davis 174/81
1,888,645 A * 11/1932 Wheeler 174/79
2,148,059 A * 2/1939 Dann 174/81
2,618,683 A * 11/1952 Fisher 174/81
2,739,999 A * 3/1956 Gill 174/81
2,865,981 A * 12/1958 Budnick 174/81
2,926,212 A * 2/1960 Appleton 174/81
3,003,019 A * 10/1961 Dearle 174/81
3,158,679 A 11/1964 Ware

FIG. 1 is a front view of an entrance cap;
FIG. 2 is a rear view thereof;
FIG. 3 is a right-side view thereof;
FIG. 4 is a left-side view thereof;
FIG. 5 is a perspective view thereof; and,
FIG. 6 is a front view thereof, shown in environmental use.
The broken lines shown represent unclaimed subject matter and form no part of the claimed design.

1 Claim, 4 Drawing Sheets



(56)

References Cited

U.S. PATENT DOCUMENTS

3,879,641	A	4/1975	Byrd	
3,936,589	A	2/1976	Teeters	
3,996,415	A	12/1976	Provorse	
RE31,359	E	8/1983	Nickola	
4,723,580	A	2/1988	Trautwein	
4,864,467	A	9/1989	Byrd	
4,876,414	A *	10/1989	Johnson	174/81
4,887,187	A	12/1989	Nickola	
4,977,482	A	12/1990	Langdon	
D324,853	S *	3/1992	Johnson	D13/155
D326,645	S *	6/1992	Johnson	D13/155
5,304,736	A	4/1994	Halfacre	
5,377,074	A	12/1994	Byrd	
5,400,212	A	3/1995	Hanson	
D370,890	S *	6/1996	Tiberio, Jr.	D13/146
5,523,529	A	6/1996	Holliday	
5,614,695	A	3/1997	Navazo	
5,804,769	A	9/1998	Morena	
5,973,264	A	10/1999	O'Connor	

6,180,878	B1	1/2001	Gretz	
6,247,500	B1	6/2001	McMahon	
6,274,814	B1	8/2001	Iavarone	
6,437,247	B1	8/2002	Holliday	
6,646,203	B1	11/2003	Liao	
7,085,128	B2	8/2006	Wilfong	
7,385,148	B2	6/2008	Picard	
2013/0256025	A1 *	10/2013	Cardin et al.	174/535

FOREIGN PATENT DOCUMENTS

CA	2270761	A1	11/1999
CA	2074971	C	7/2002
CA	2436283	A1	2/2004
CA	101947		7/2004
CA	101986		7/2004
CA	2556355	A1	9/2005
CA	107079		12/2005
CA	136298		2/2011
CA	136299		2/2011

* cited by examiner

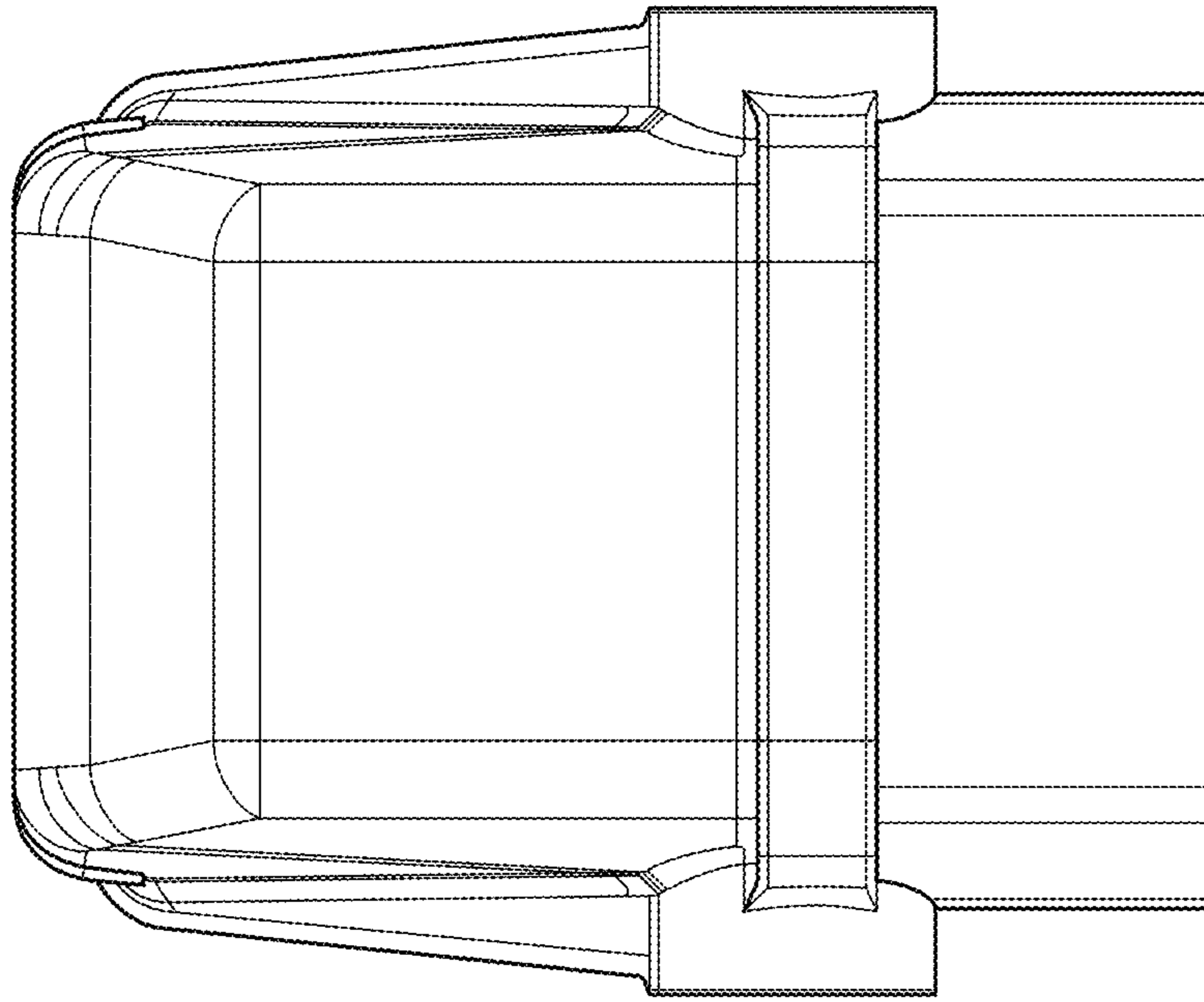


FIG. 2

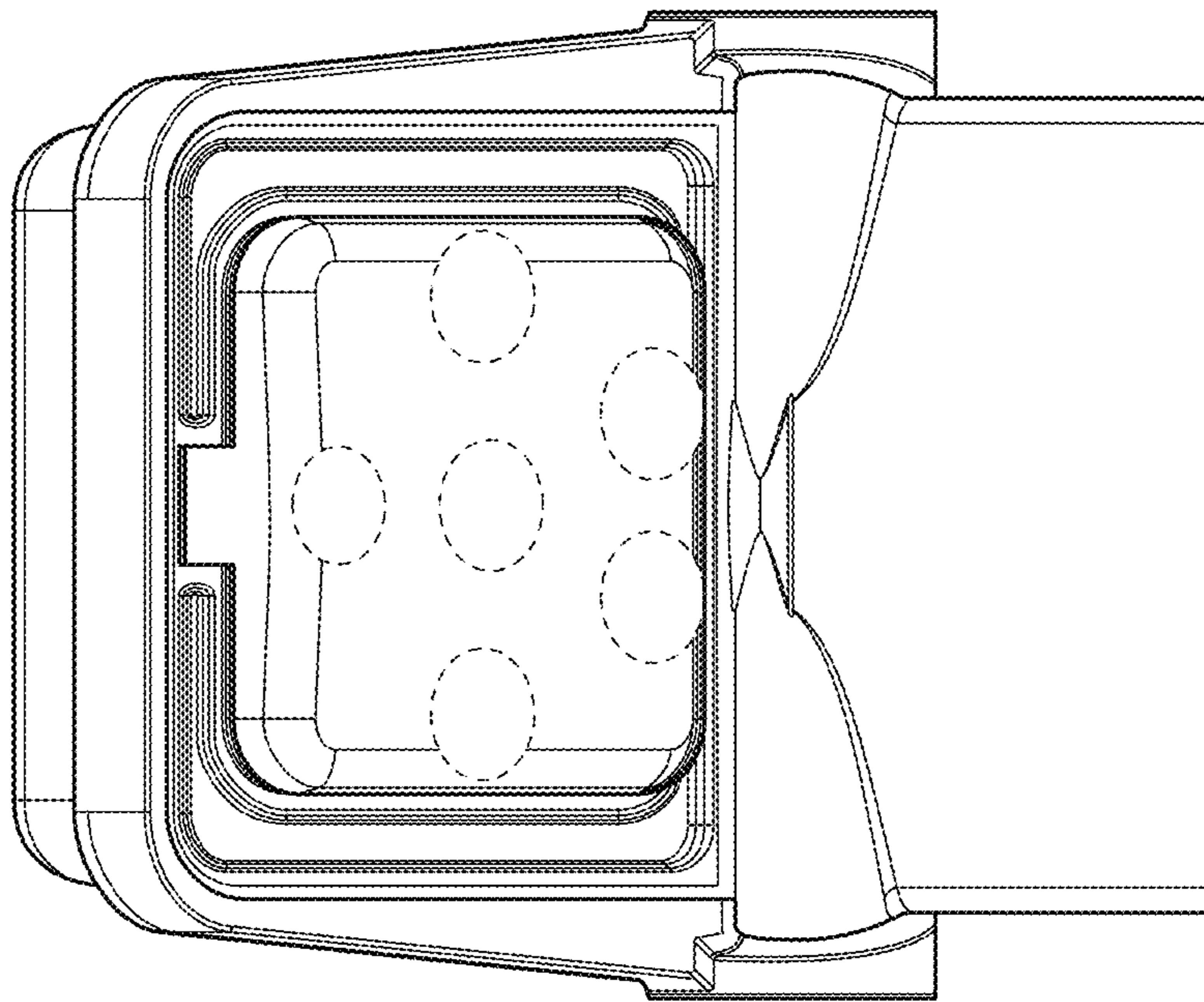


FIG. 1

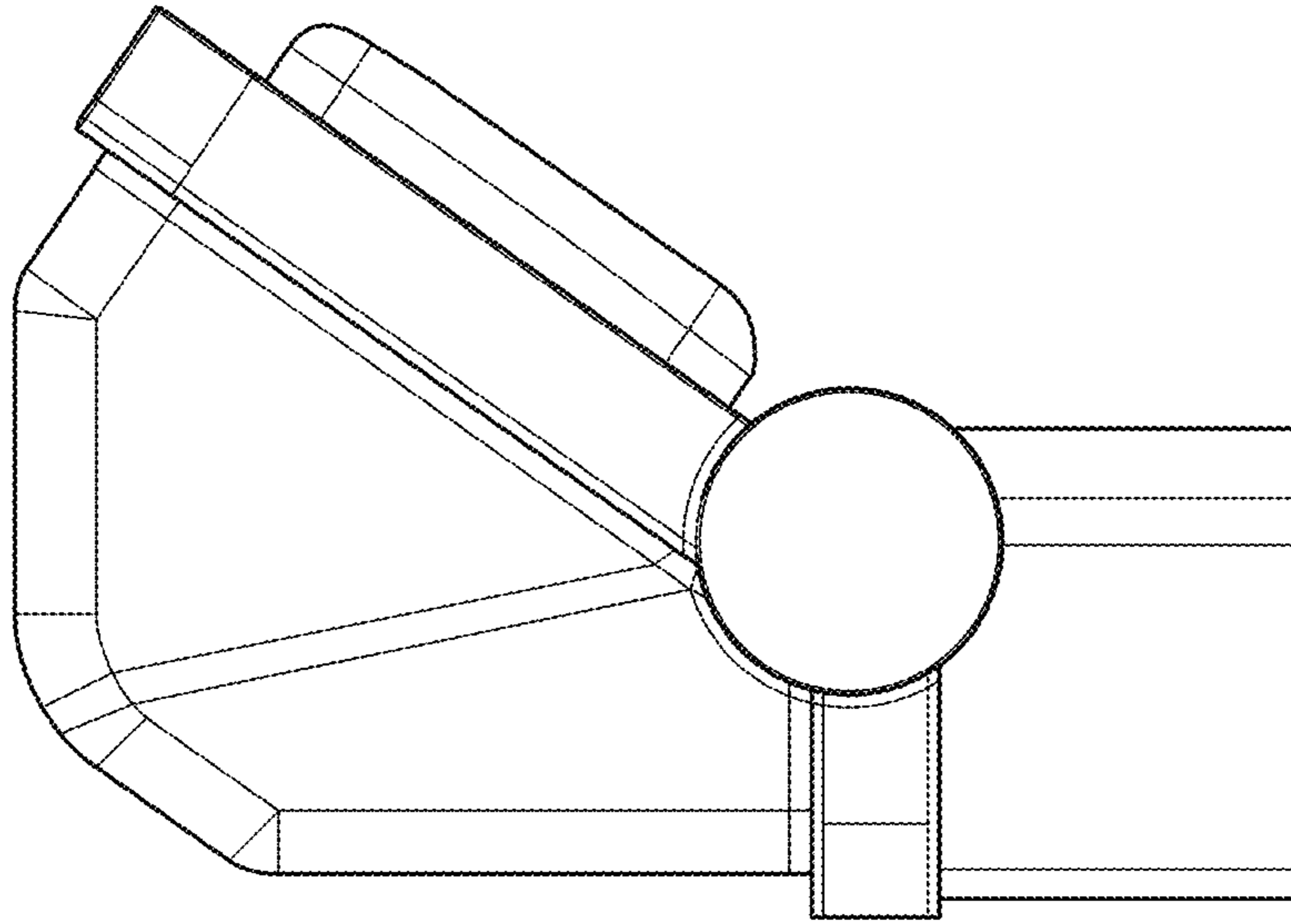


FIG. 4

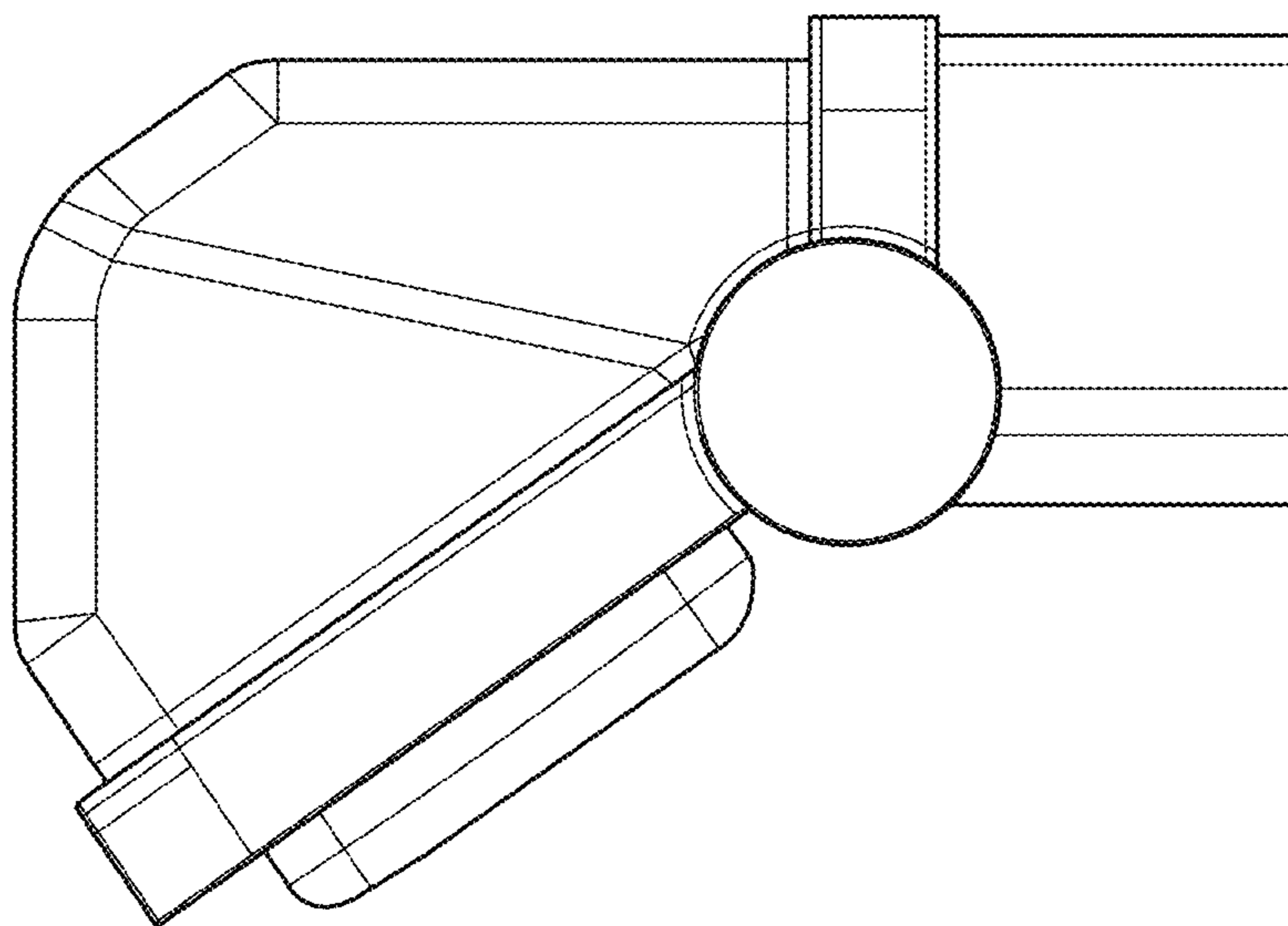


FIG. 3

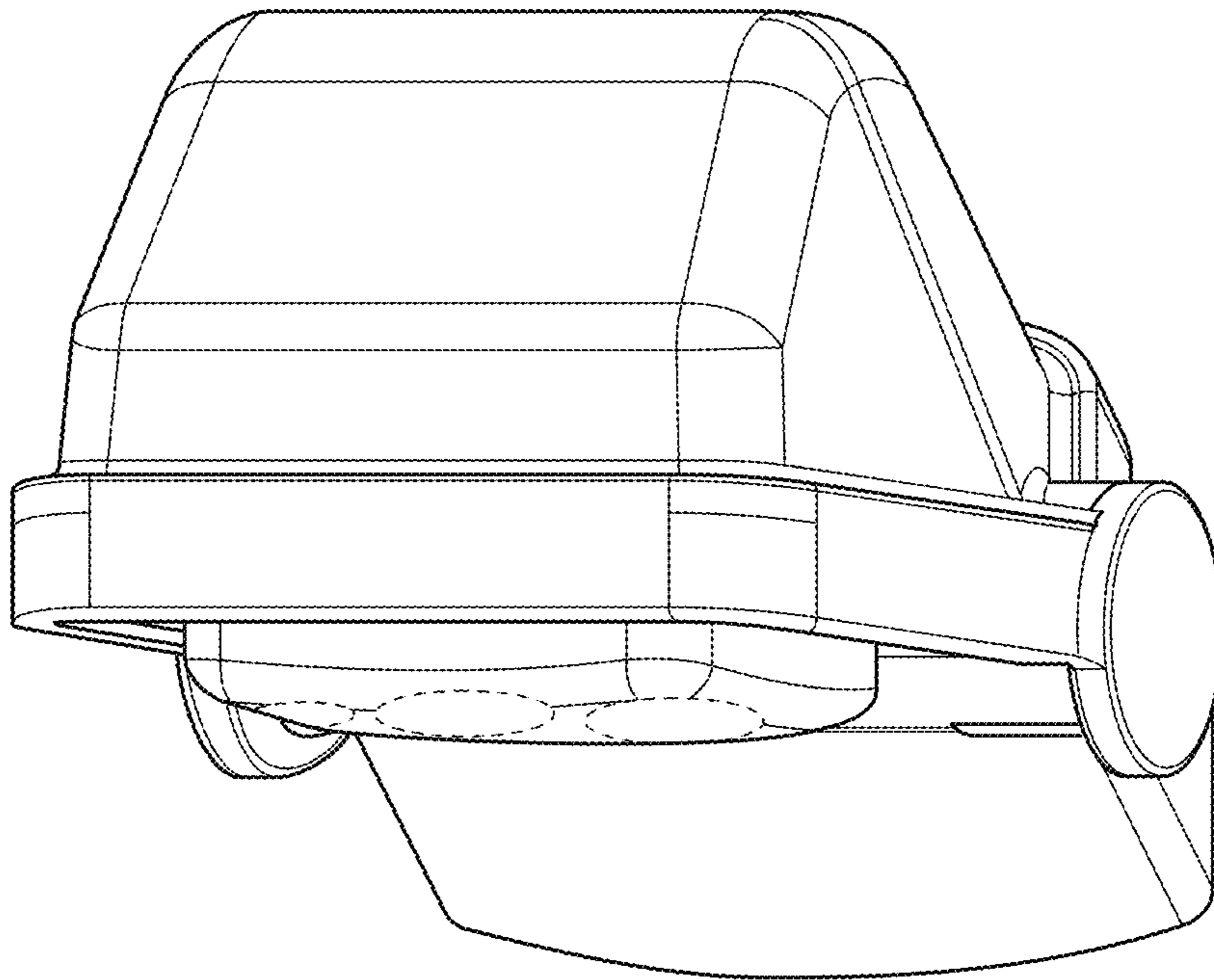


FIG. 5

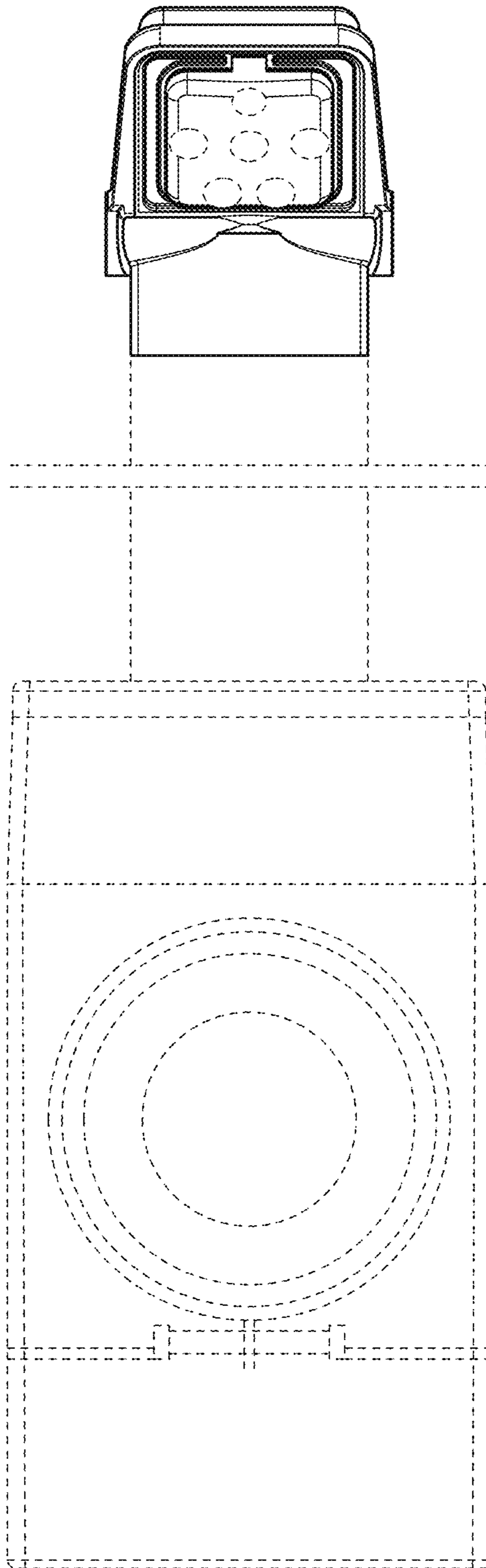


FIG. 6