



US00D776062S

(12) **United States Design Patent**  
**Sasano**

(10) **Patent No.:** **US D776,062 S**

(45) **Date of Patent:** **\*\* Jan. 10, 2017**

(54) **ELECTRIC CONNECTING TERMINAL**

(71) Applicant: **OMRON Corporation**, Kyoto-shi,  
Kyoto (JP)

(72) Inventor: **Naoya Sasano**, Hachioji (JP)

(73) Assignee: **OMRON Corporation**, Kyoto (JP)

(\*\*) Term: **15 Years**

(21) Appl. No.: **29/535,851**

(22) Filed: **Aug. 11, 2015**

(30) **Foreign Application Priority Data**

Feb. 13, 2015 (JP) ..... 2015-002909

(51) **LOC (10) Cl.** ..... **13-03**

(52) **U.S. Cl.**  
USPC ..... **D13/154**

(58) **Field of Classification Search**  
USPC ..... D13/118, 120, 146, 147, 154, 184, 199  
CPC ..... H01R 4/48; H01R 13/02; H01R 13/05;  
H01R 13/187; H01R 13/2442; H01R  
13/432

See application file for complete search history.

(56) **References Cited**

**U.S. PATENT DOCUMENTS**

5,769,672 A \* 6/1998 Flieger ..... H01R 13/115  
439/850  
D592,150 S \* 5/2009 Ogata ..... D13/154  
D621,368 S \* 8/2010 Lee ..... D13/154  
D665,360 S \* 8/2012 Gieski ..... D13/154  
D724,543 S \* 3/2015 Chen ..... D13/154

2012/0244756 A1\* 9/2012 Jouas ..... H01R 13/113  
439/660  
2015/0111443 A1\* 4/2015 Gutenschwager ... H01R 13/187  
439/884  
2015/0303593 A1\* 10/2015 Ono ..... H01R 12/728  
439/850

**OTHER PUBLICATIONS**

U.S. Appl. No. 29/535,845, filed Aug. 11, 2015 to Sasano.  
U.S. Appl. No. 29/535,846, filed Aug. 11, 2015 to Sasano.

\* cited by examiner

*Primary Examiner* — Daniel Bui

(74) *Attorney, Agent, or Firm* — Sterne, Kessler,  
Goldstein & Fox P.L.L.C.

(57) **CLAIM**

The ornamental design for an electric connecting terminal,  
as shown and described.

**DESCRIPTION**

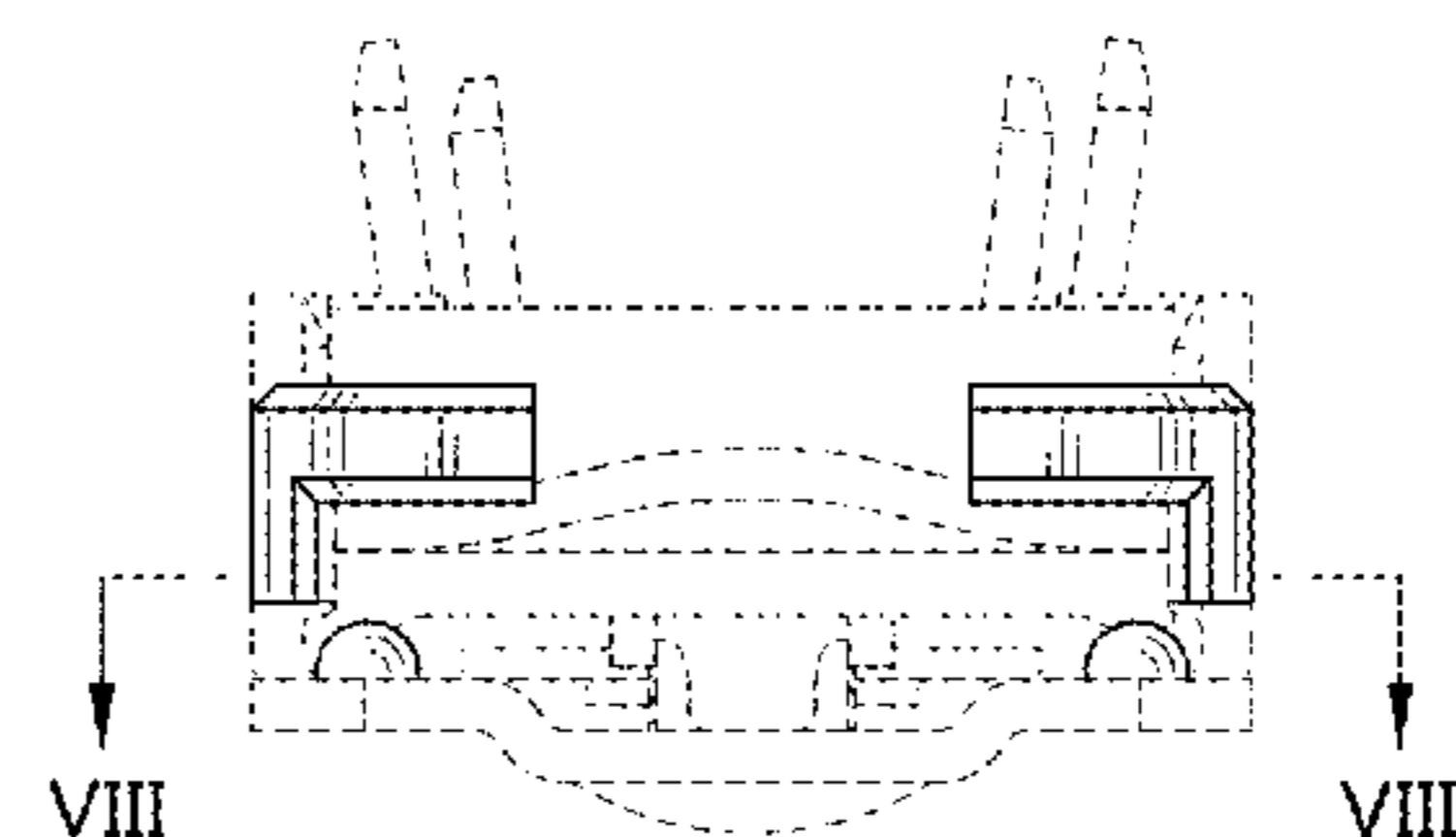
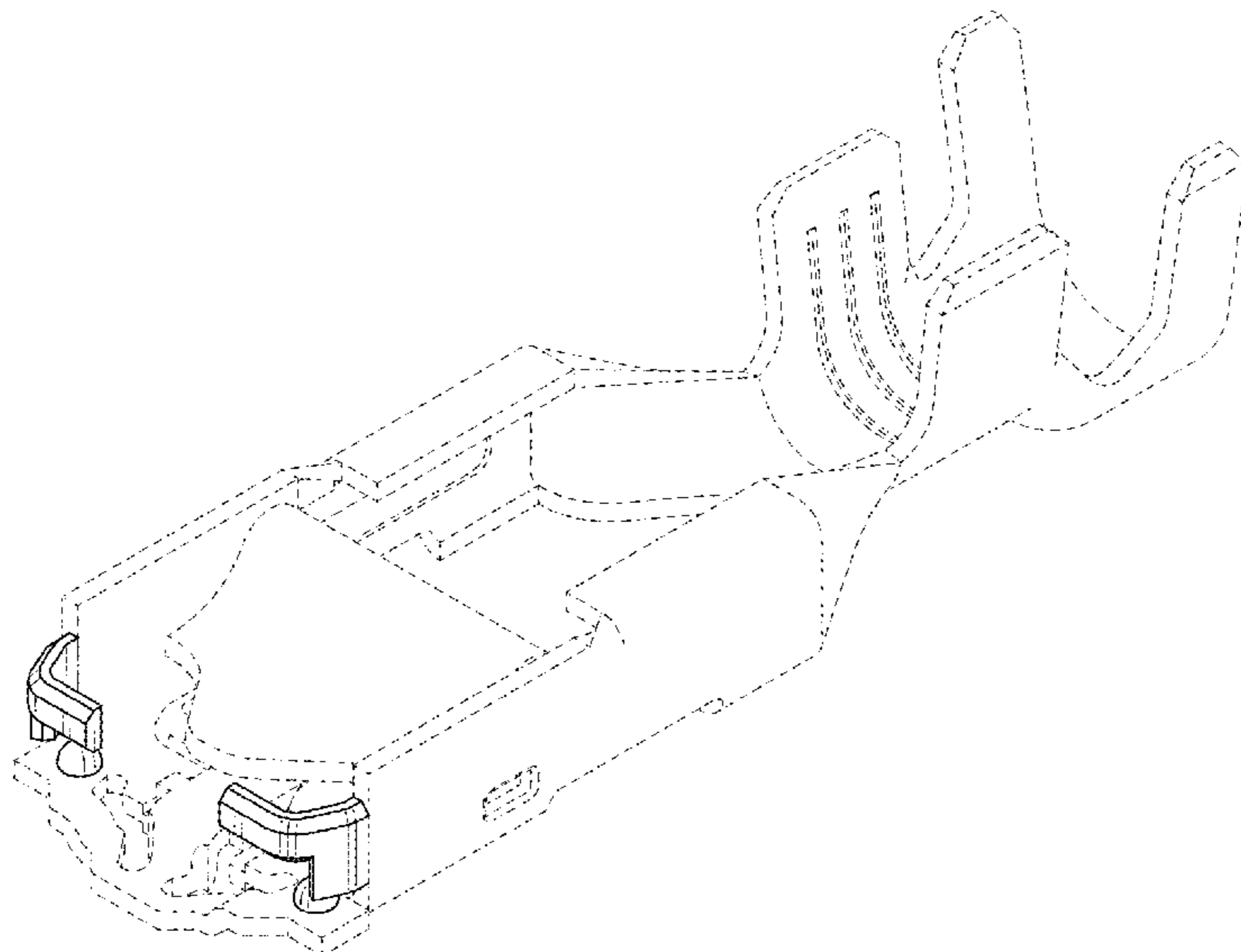
FIG. 1 is a perspective view of an electric connecting terminal showing my new design; FIG. 2 is a front elevational view thereof; FIG. 3 is a rear elevational view thereof; FIG. 4 is a left side view thereof; FIG. 5 is a right side view thereof; FIG. 6 is a top plan view thereof; FIG. 7 is a bottom plan view thereof; and, FIG. 8 is a top perspective cross-sectional view taken along the line VIII-VIII of FIG. 2.

The dashed broken lines in the figures show portions of the electric connecting terminal that form no part of the claimed design.

The dot-dash broken lines in the figures show boundaries of the claimed design.

The shade lines in the figures show contour and not surface ornamentation.

**1 Claim, 5 Drawing Sheets**



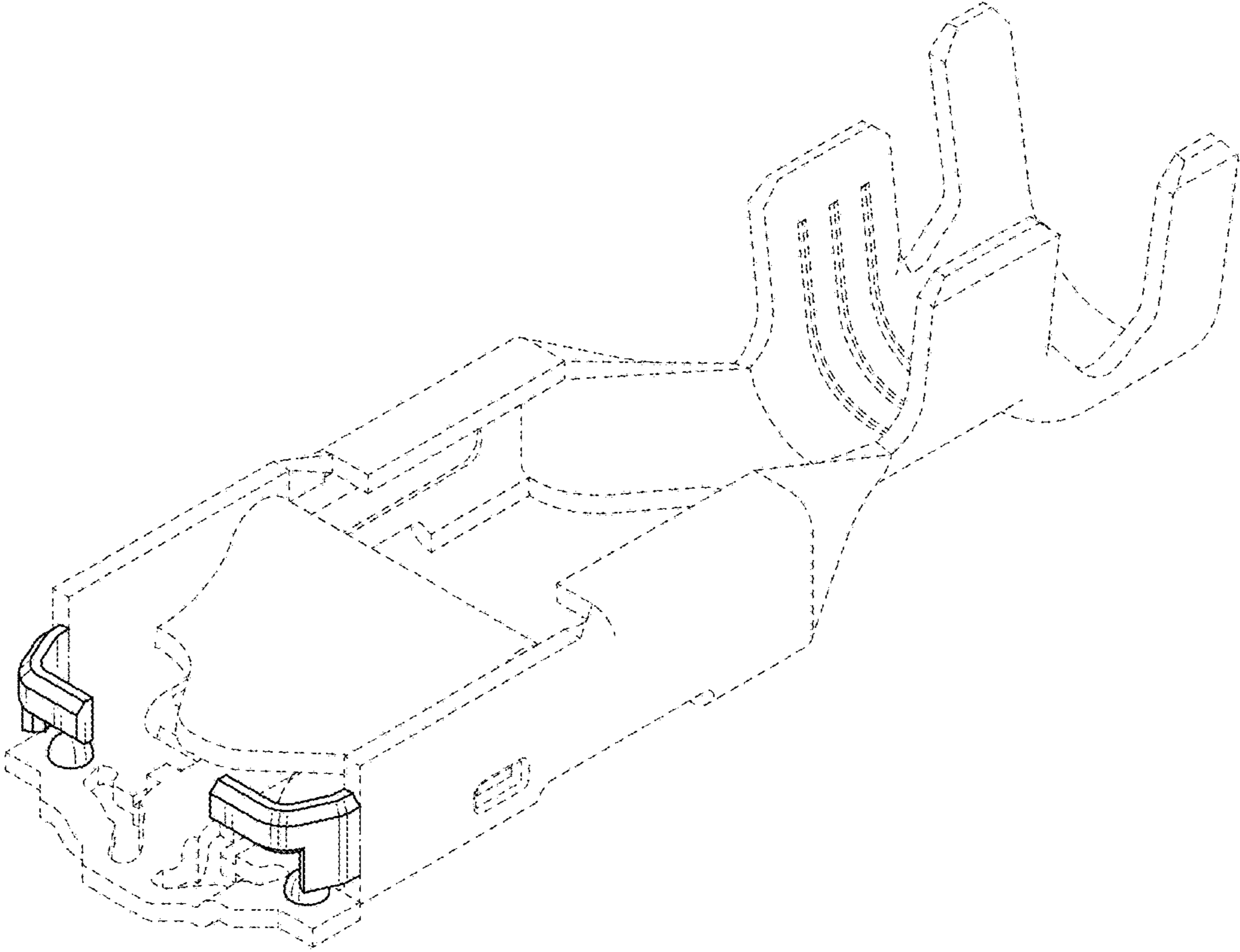


Fig. 1

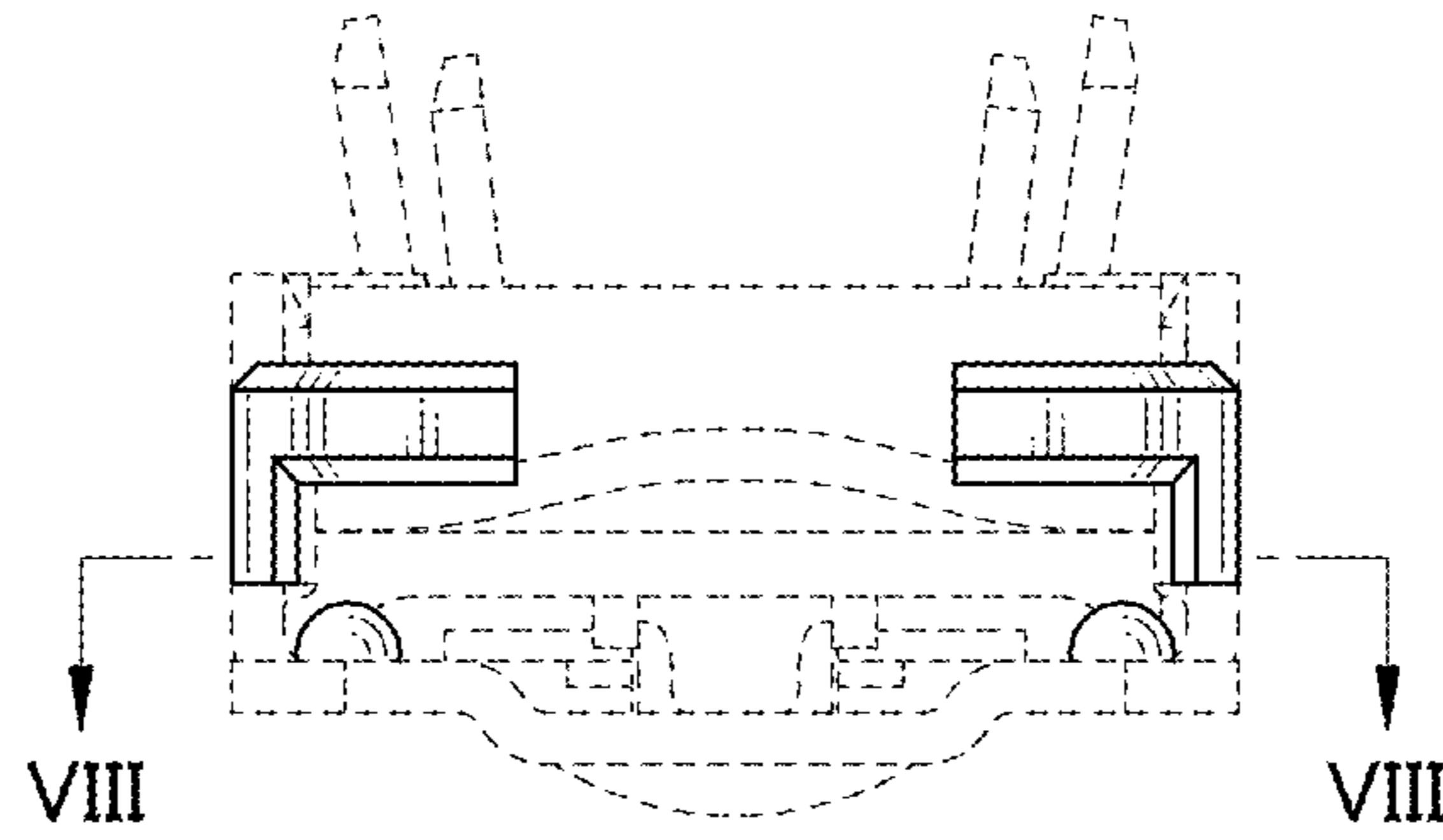


Fig. 2

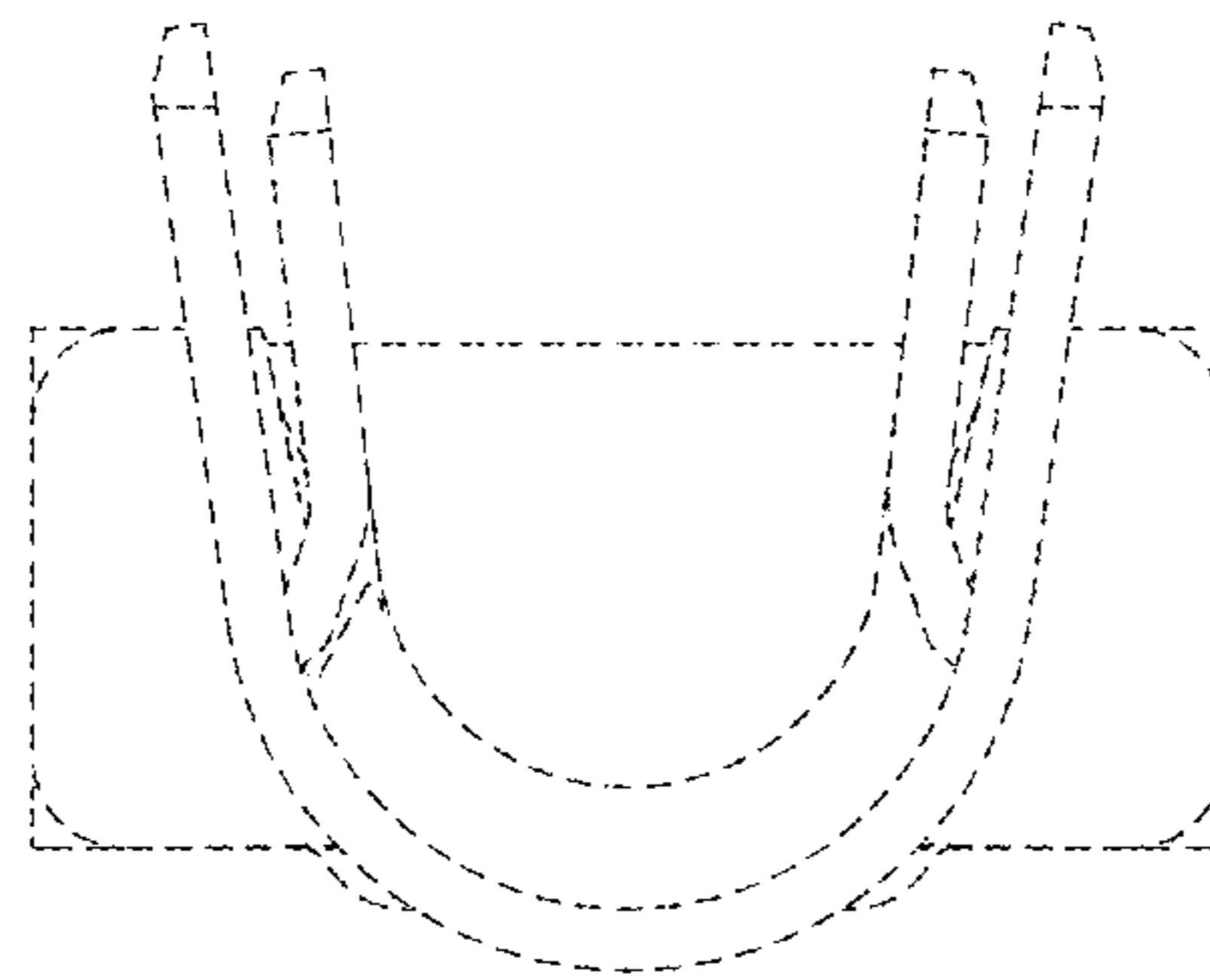


Fig. 3

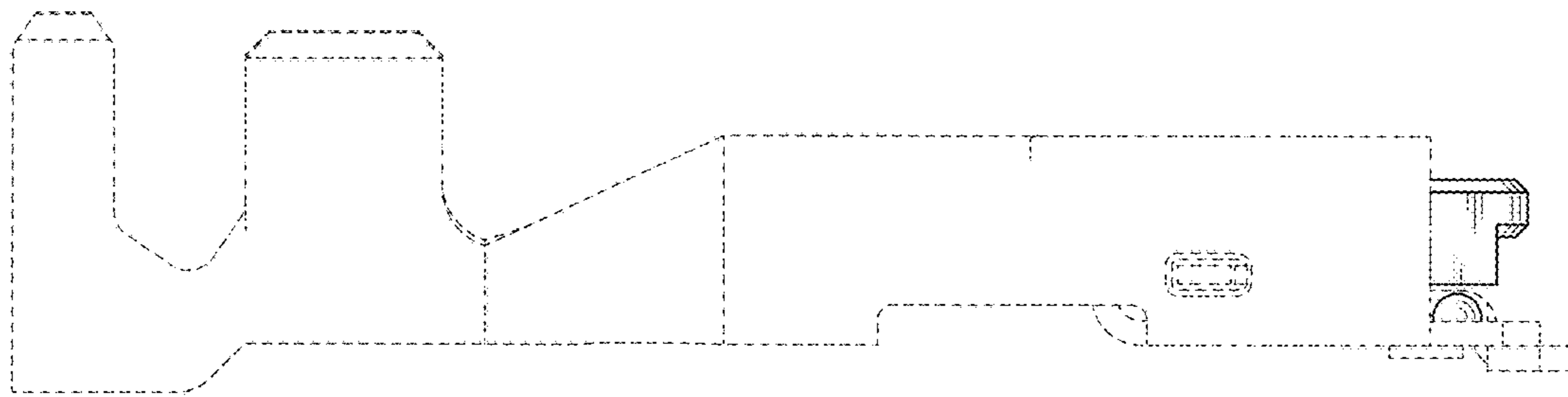


Fig. 4

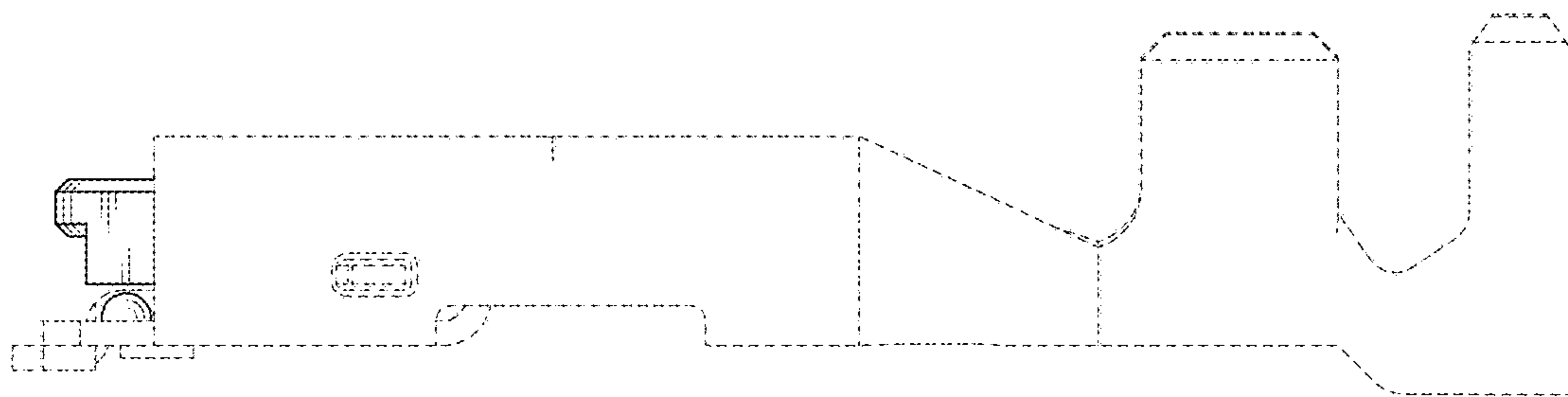


Fig. 5

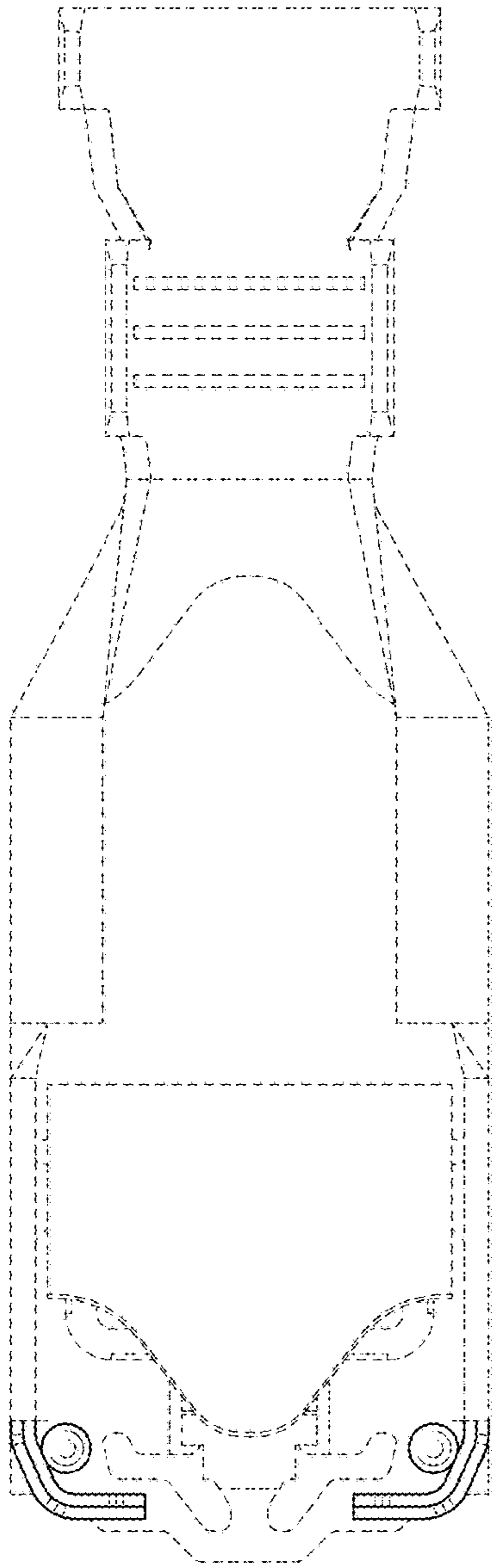


Fig. 6

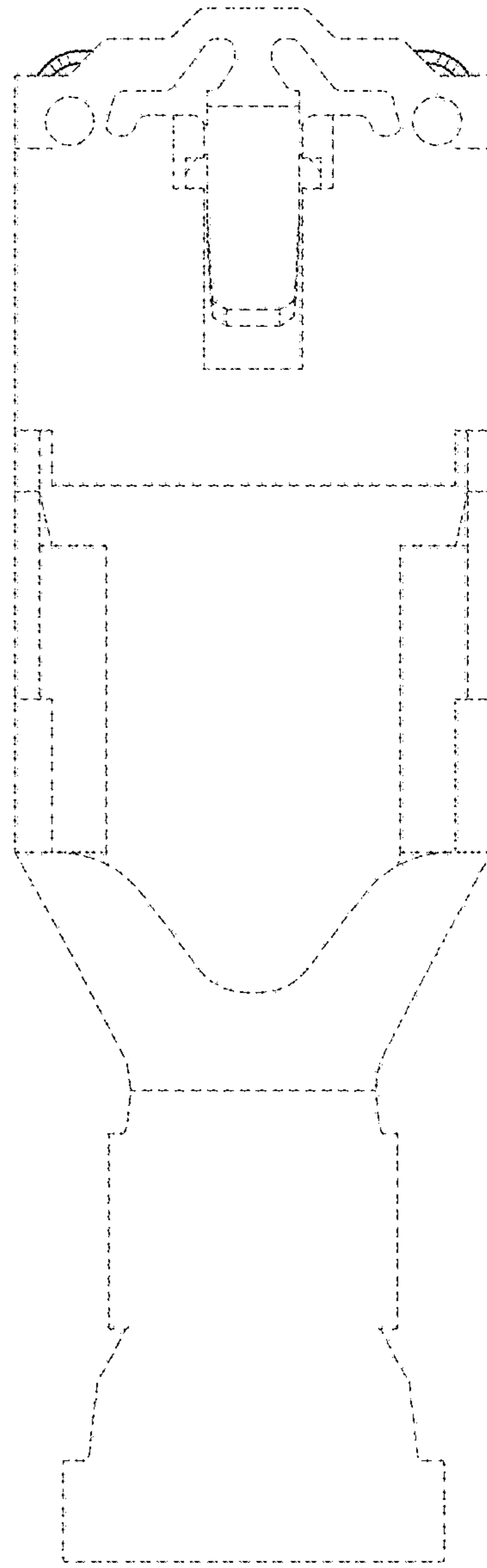


Fig. 7

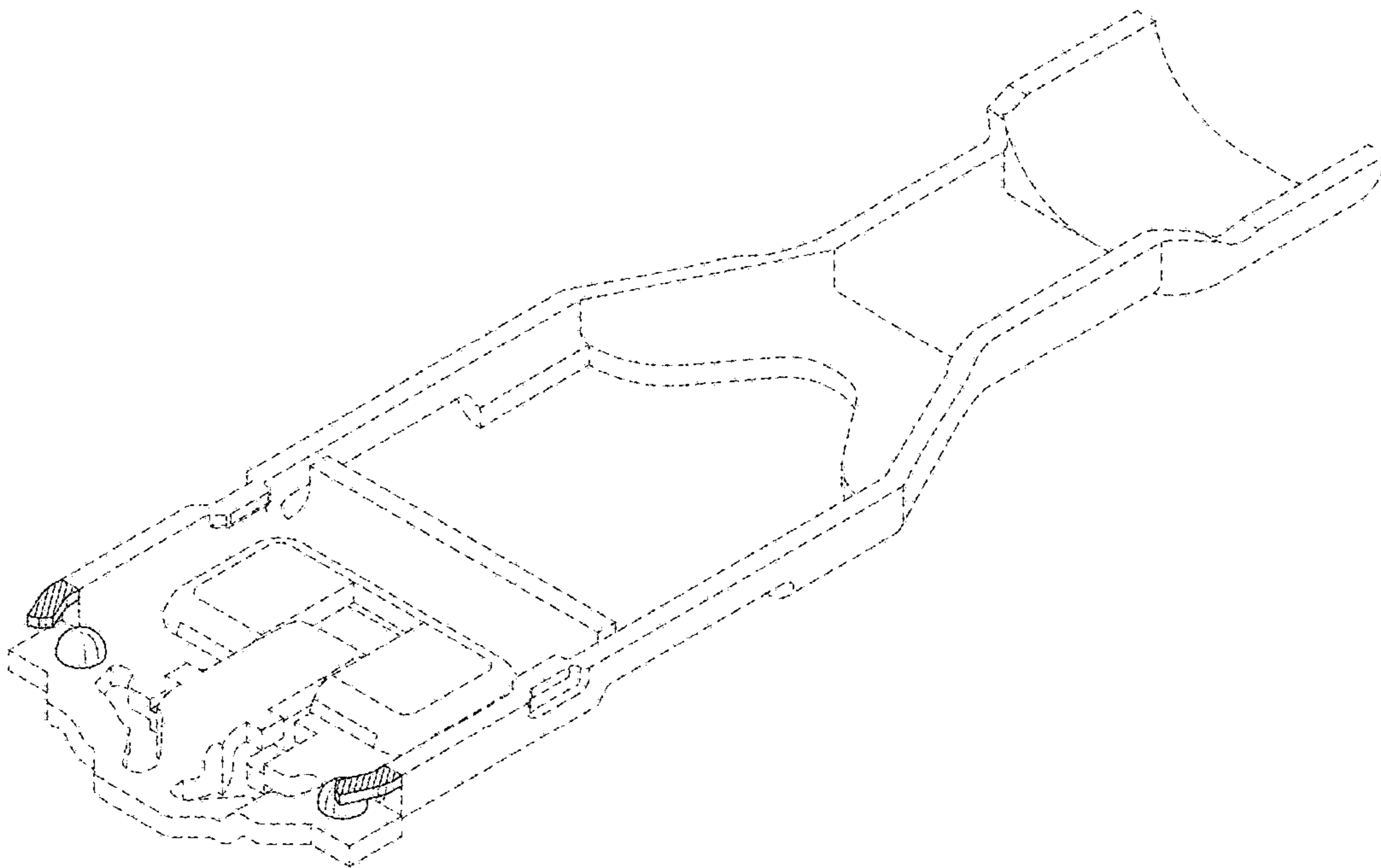


Fig. 8