



US00D776060S

(12) **United States Design Patent**  
**Haberkorn et al.**

(10) **Patent No.:** **US D776,060 S**

(45) **Date of Patent:** **\*\* Jan. 10, 2017**

(54) **AUGMENTED JUNCTION BOX**

(56) **References Cited**

(71) Applicants: **Matthew Haberkorn**, Frankfort, IL  
(US); **John Haberkorn**, Mokena, IL  
(US)

U.S. PATENT DOCUMENTS

D245,905 S	*	9/1977	Taylor .....	D13/152
D310,824 S	*	9/1990	Layton .....	D13/152
D563,896 S	*	3/2008	Greenslate .....	D10/104.1
D598,392 S	*	8/2009	Vigorito .....	D13/152
D722,296 S	*	2/2015	Taylor .....	D13/152
D722,977 S	*	2/2015	Hagarty .....	D13/152

(72) Inventors: **Matthew Haberkorn**, Frankfort, IL  
(US); **John Haberkorn**, Mokena, IL  
(US)

\* cited by examiner

(\*\*) Term: **15 Years**

*Primary Examiner* — Wan Laymon  
*Assistant Examiner* — Mark Booker

(21) Appl. No.: **29/542,999**

(57) **CLAIM**

(22) Filed: **Oct. 20, 2015**

The ornamental design for an augmented junction box, as shown and described.

(51) **LOC (10) Cl.** ..... **13-03**

**DESCRIPTION**

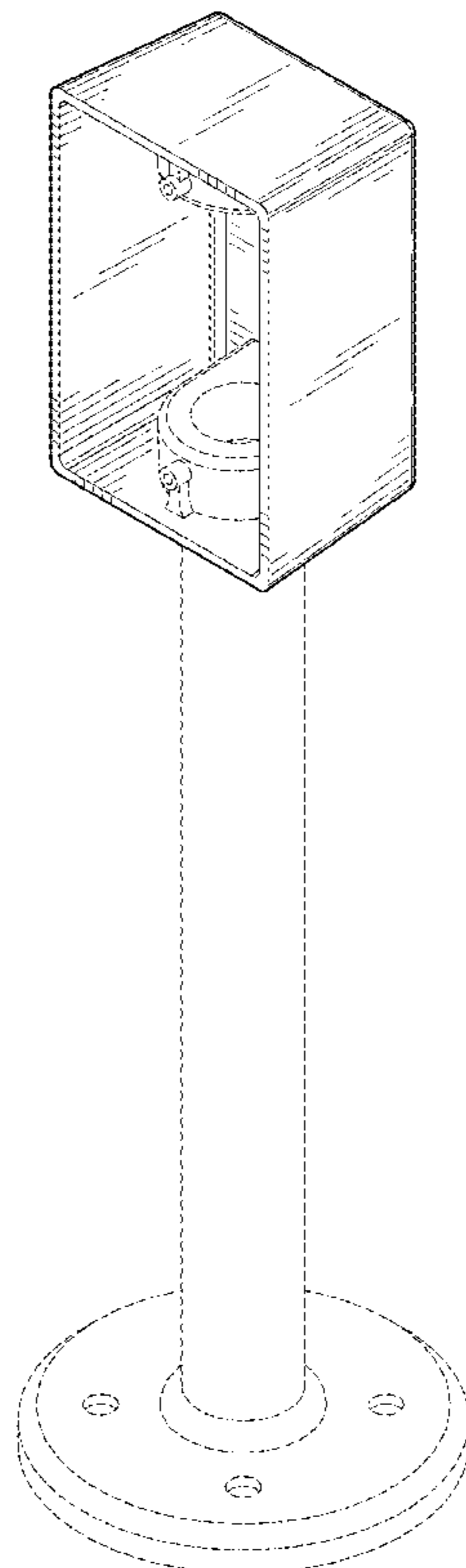
(52) **U.S. Cl.**  
USPC ..... **D13/152**

(58) **Field of Classification Search**  
USPC ..... D13/152, 133, 137.1, 137.4, 139.3,  
D13/139.2, 153–156, 184, 199; D8/349,  
D8/353; 220/0.2, 3.3, 3.4–3.9, 3.92, 3.94;  
174/50.52, 50.53, 50.56, 51, 53–60, 66,  
174/67, 521; 439/373, 335–337, 541, 675,  
439/668, 623, 892, 938; D6/558  
CPC ..... G06F 1/181; H02G 3/08; H02G 3/081;  
H02G 3/14; H02G 5/08; H05K  
5/03; H05K 5/0204; H05K 5/06; B65D  
43/02; B65D 47/00

FIG. 1 is a front perspective view of an ornamental design for an augmented junction box;  
FIG. 2 is a rear perspective view thereof;  
FIG. 3 is a front view thereof;  
FIG. 4 is a rear view thereof;  
FIG. 5 is a first side view thereof;  
FIG. 6 is a second side view thereof;  
FIG. 7 is a top view thereof; and,  
FIG. 8 is a bottom view thereof.  
The broken lines shown in the figures represent portions of the augmented junction box that form no part of the claimed design.

See application file for complete search history.

**1 Claim, 4 Drawing Sheets**



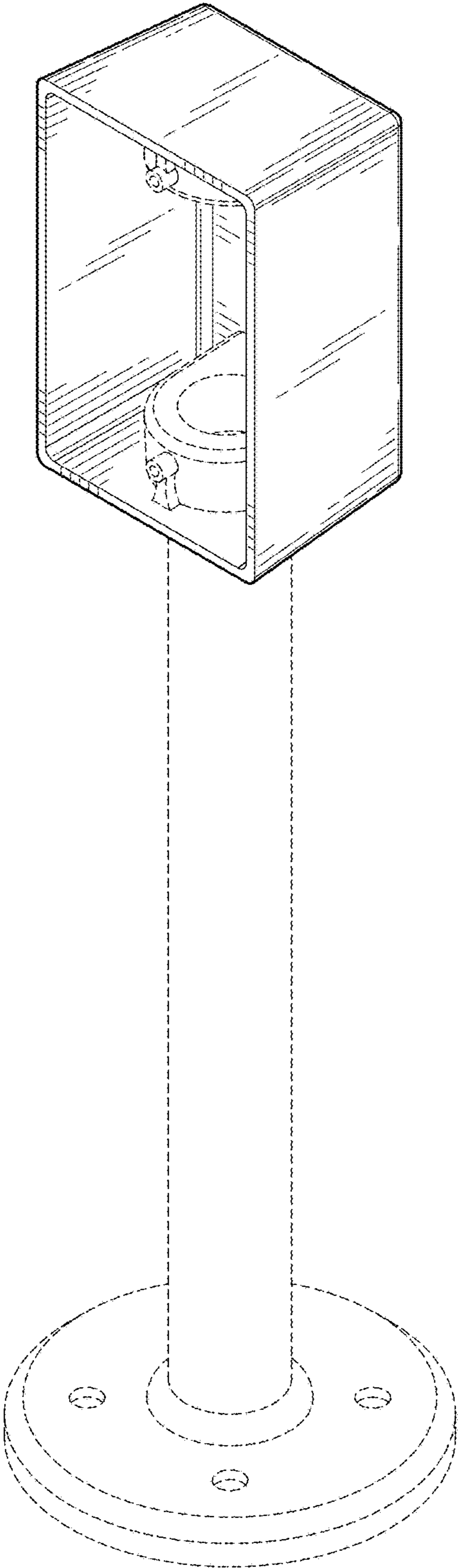


FIG. 1

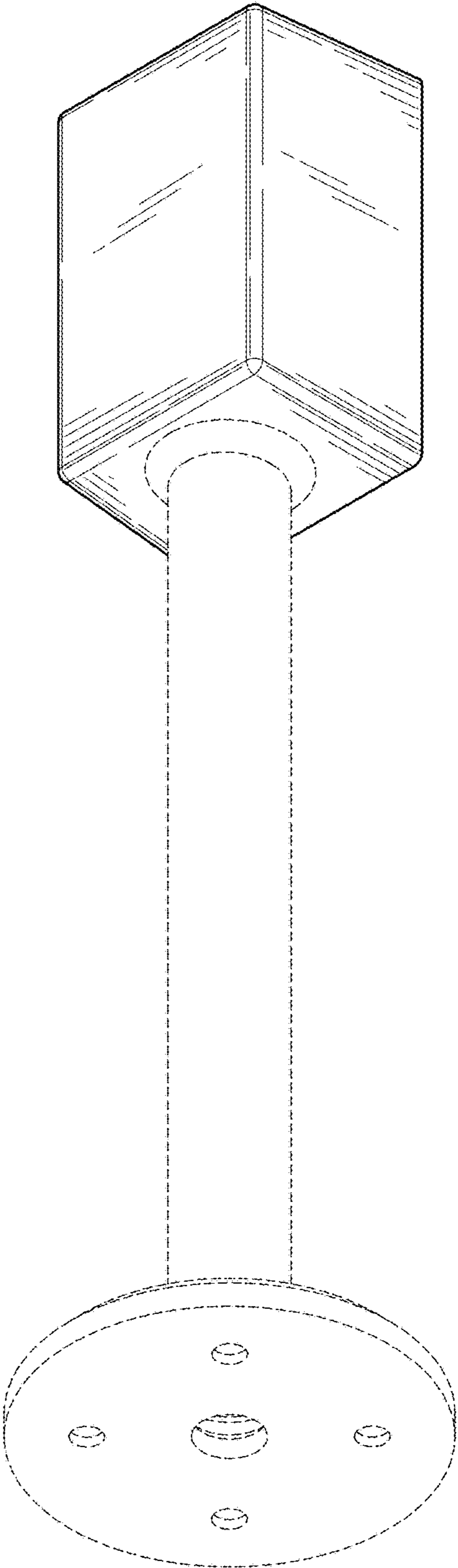


FIG. 2

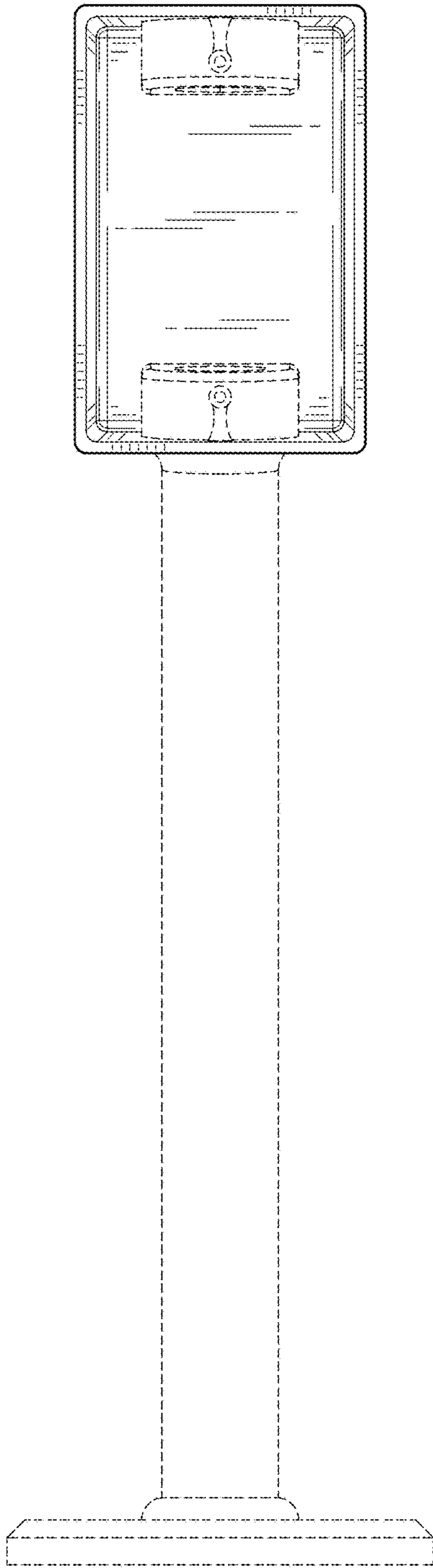


FIG. 3

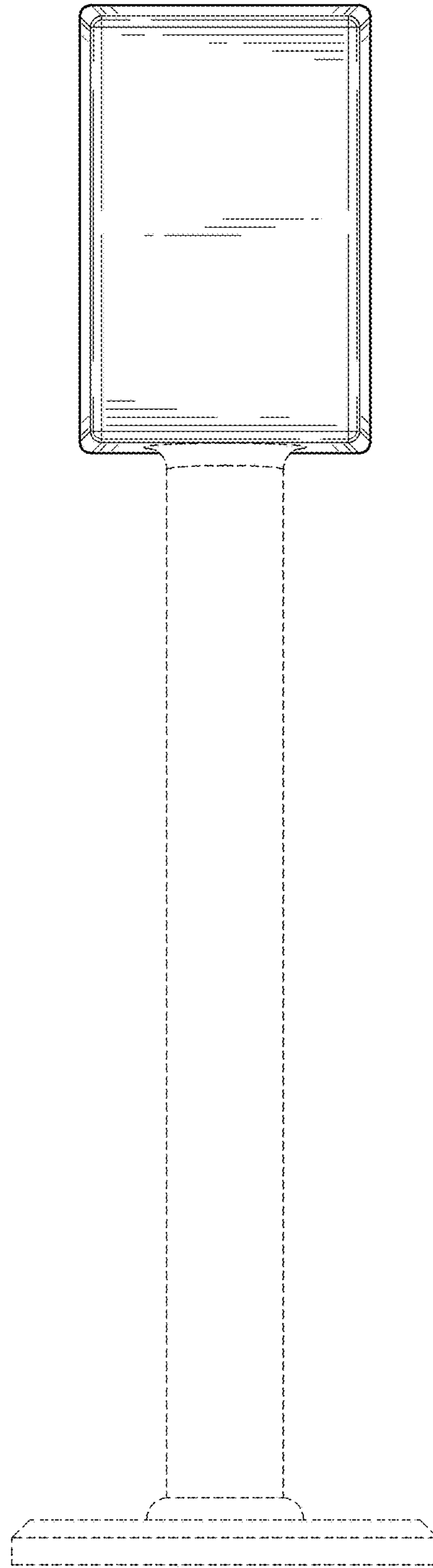


FIG. 4

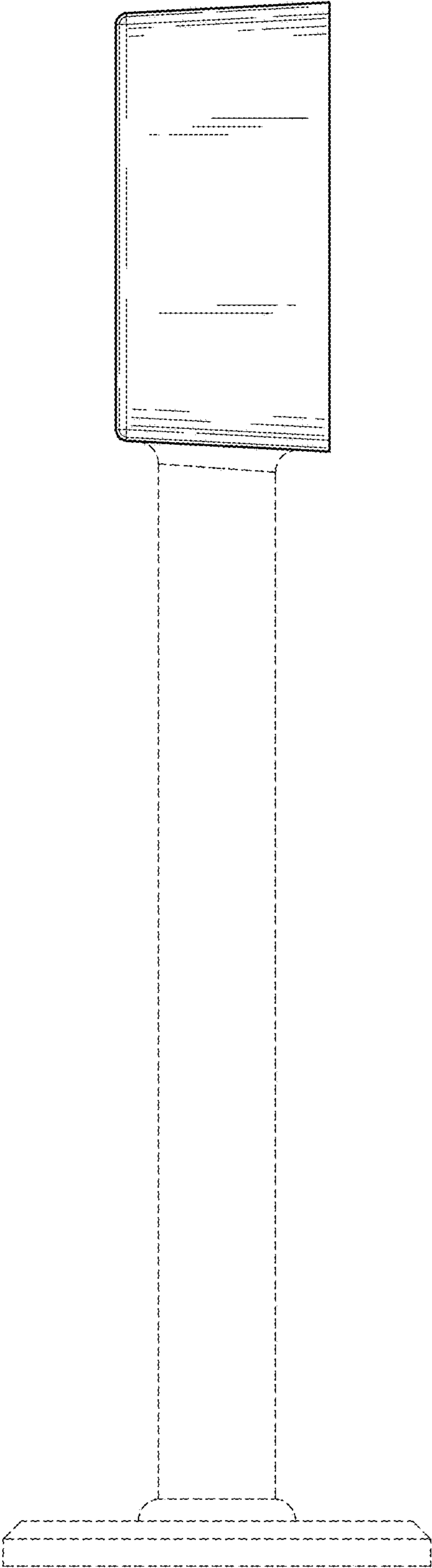


FIG. 5

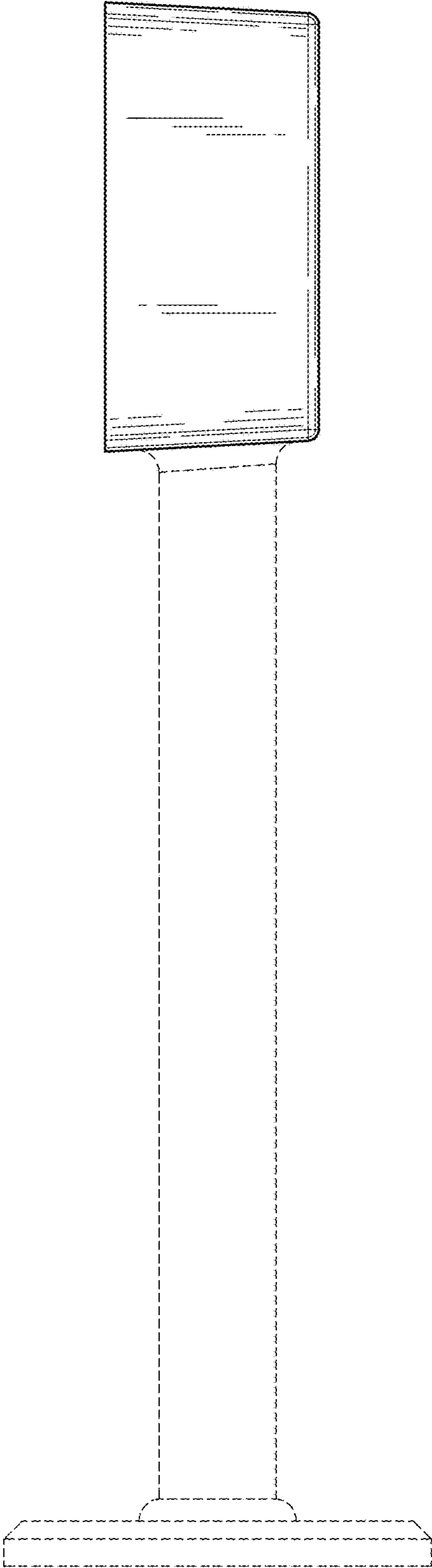


FIG. 6

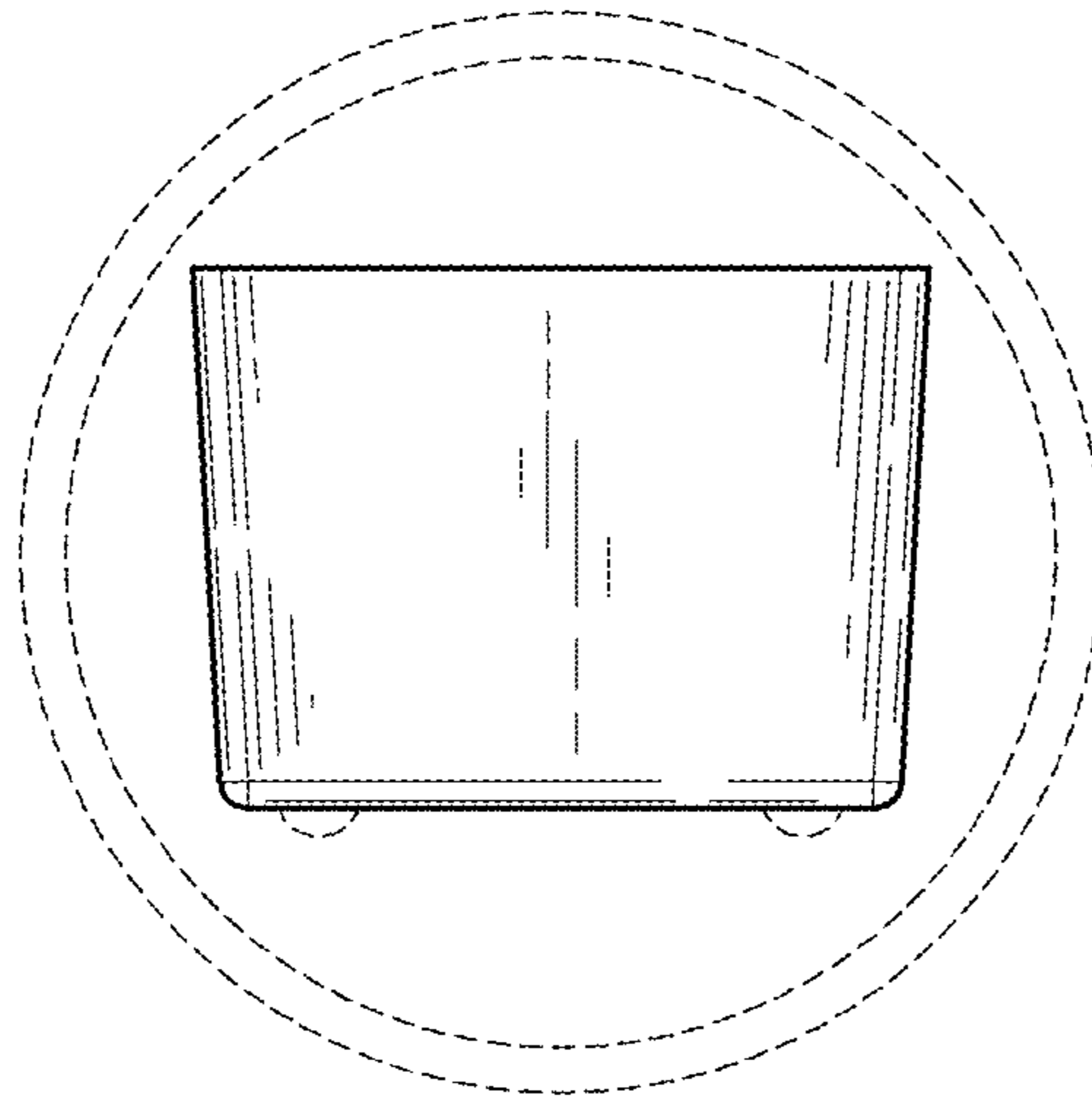


FIG. 7

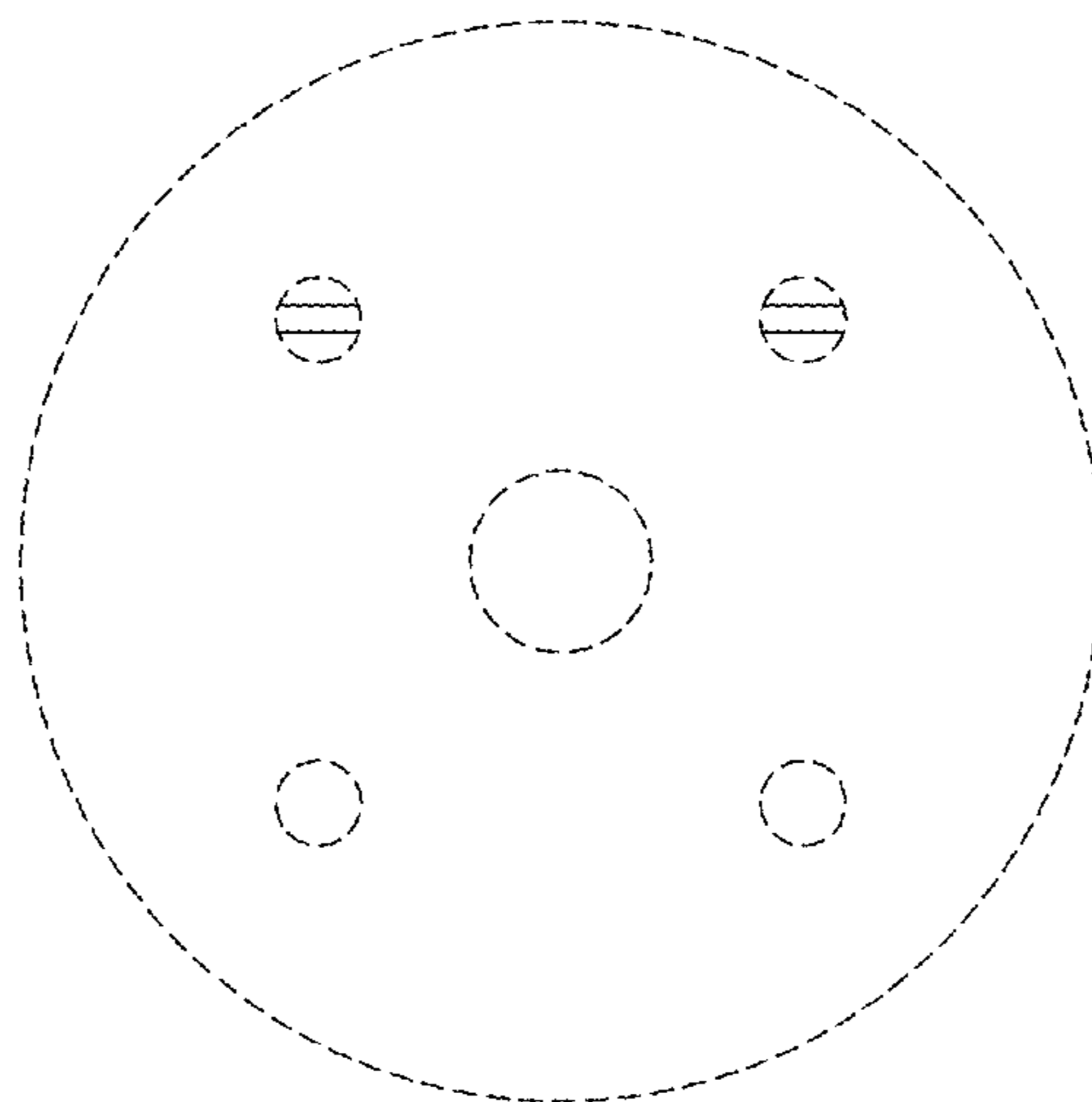


FIG. 8