



US00D776059S

(12) **United States Design Patent**
Kim et al.

(10) **Patent No.:** **US D776,059 S**
(45) **Date of Patent:** **** Jan. 10, 2017**

(54) **ELECTRICAL CONNECTOR**

(71) Applicant: **Google Inc.**, Mountain View, CA (US)

(72) Inventors: **Eliot Kim**, Los Gatos, CA (US); **Maj Isabelle Olsson**, San Francisco, CA (US); **Haley Toelle**, San Francisco, CA (US); **Brian Fitzpatrick Cutter**, Orinda, CA (US); **Michael Jastrzebski**, San Francisco, CA (US); **Yien Liu**, San Jose, CA (US); **Jeremy Evan Blum**, San Francisco, CA (US)

(73) Assignee: **Google Inc.**, Mountain View, CA (US)

(**) Term: **15 Years**

(21) Appl. No.: **29/530,231**

(22) Filed: **Jun. 15, 2015**

(51) **LOC (10) Cl.** **13-03**

(52) **U.S. Cl.**
USPC **D13/147**

(58) **Field of Classification Search**
USPC D13/133, 146, 147, 154, 184, 199;
D14/433, 434, 435, 435.1, 436, 438
CPC H01R 13/58; H01R 13/5845; H01R 13/02;
H01R 13/03; H01R 13/405; H01R 13/648;
H01R 13/506; H01R 13/516; H01R 12/57;
H01R 13/6585; H01R 24/60; H01R
2107/00; B29C 70/84; B29C
70/88; B29C 70/885

See application file for complete search history.

(56) **References Cited**

U.S. PATENT DOCUMENTS

5,941,733 A 8/1999 Lai
7,004,794 B2 2/2006 Wang et al.
D610,157 S 2/2010 Ma

D631,058 S 1/2011 Chin et al.
D665,754 S * 8/2012 Cobbett D13/147
8,305,750 B2 11/2012 Hsieh
(Continued)

FOREIGN PATENT DOCUMENTS

CN 202487868 U 10/2012
CN 202759069 U 2/2013
EM 001936576 10/2011

Primary Examiner — Daniel Bui
(74) *Attorney, Agent, or Firm* — Lerner, David,
Littenberg, Krumholz & Mentlik, LLP

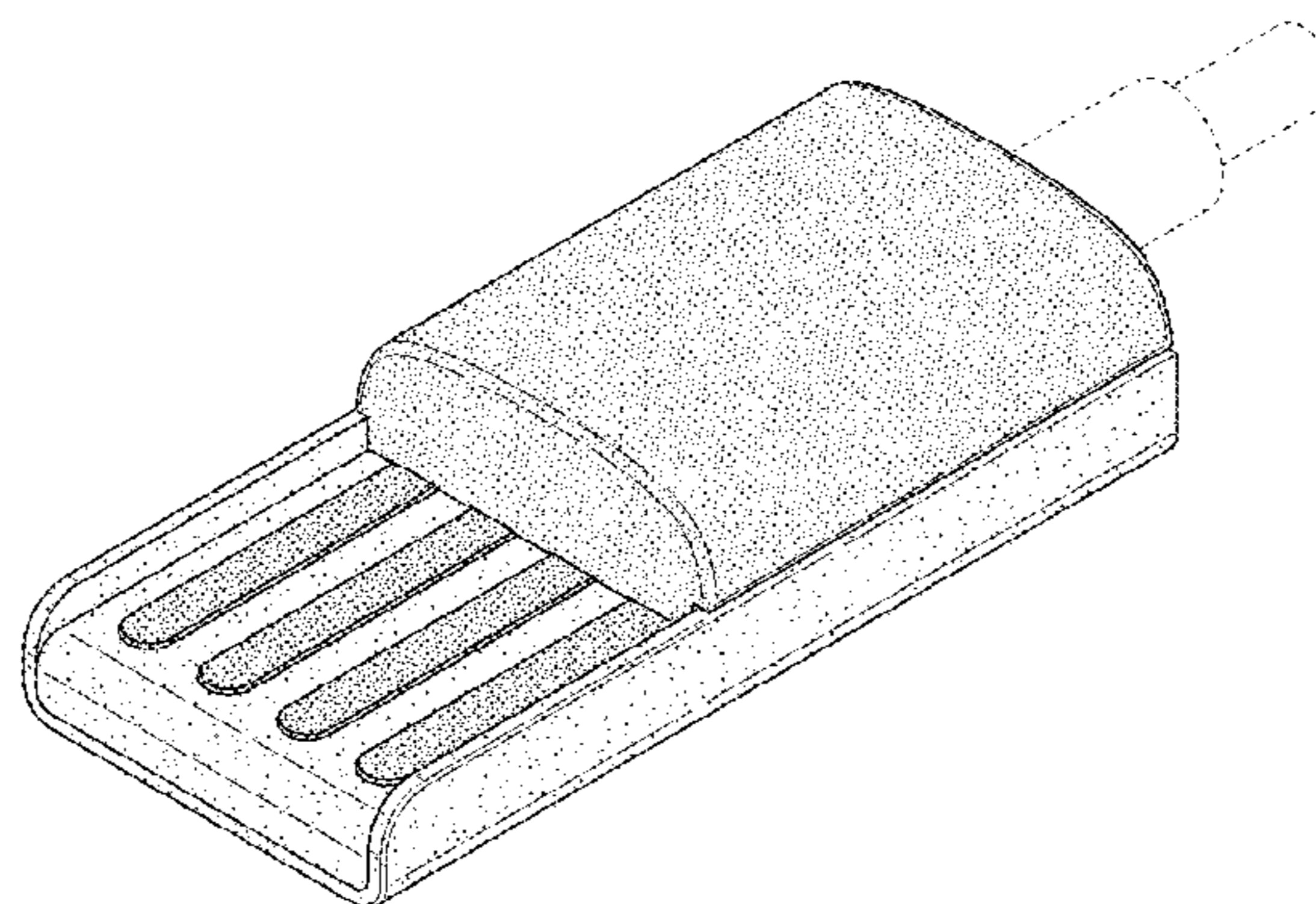
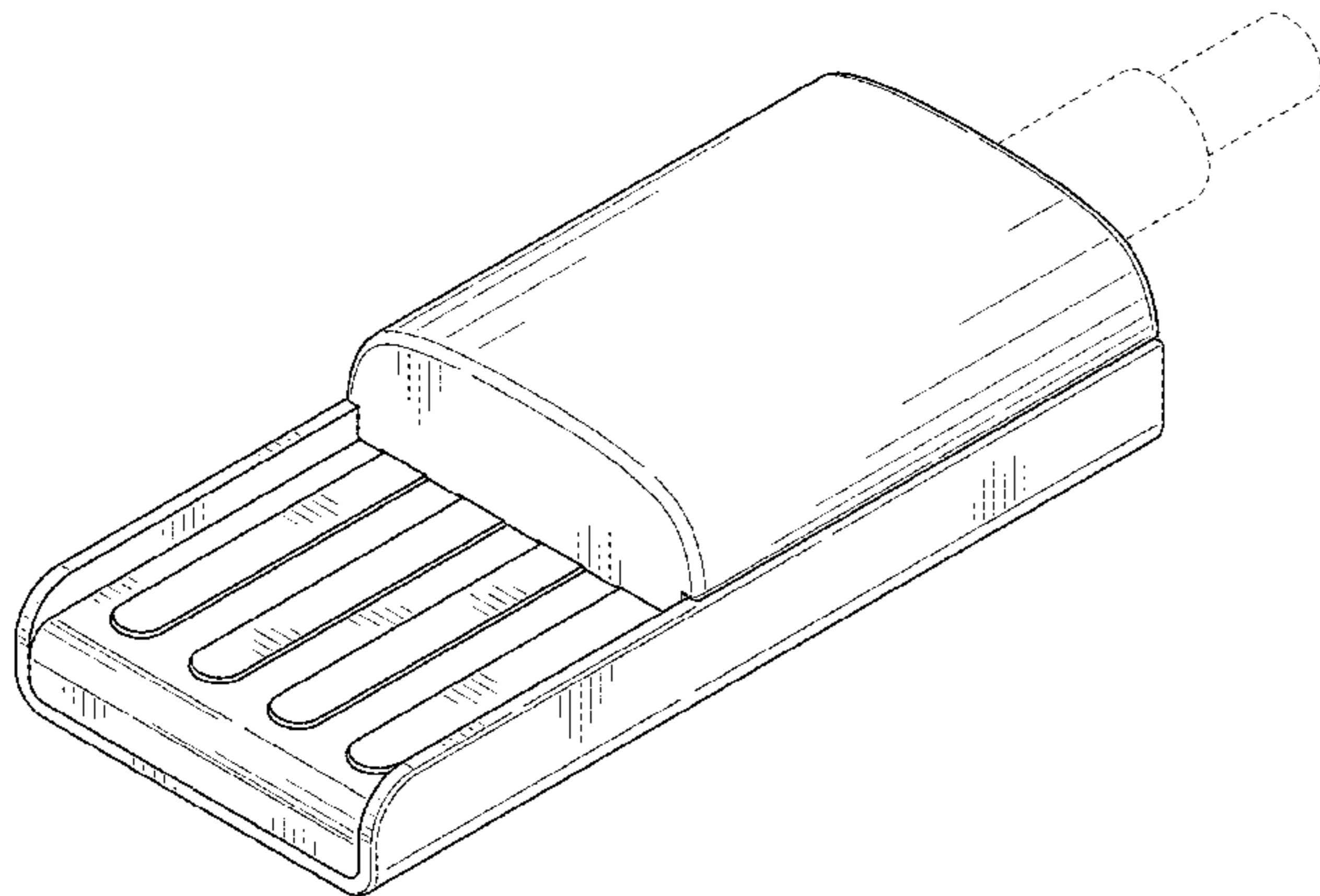
(57) **CLAIM**

The ornamental design for an electrical connector, as shown and described.

DESCRIPTION

FIG. 1 is a front perspective view of an electrical connector according to a first embodiment of our design; FIG. 2 is a front elevation view thereof; FIG. 3 is a back elevation view thereof; FIG. 4 is a right side elevation view thereof; FIG. 5 is a left side elevation view thereof; FIG. 6 is a top elevation view thereof; FIG. 7 is a bottom elevation view thereof; FIG. 8 is a front perspective view of an electrical connector according to a second embodiment of our design; FIG. 9 is a front elevation view thereof; FIG. 10 is a back elevation view thereof; FIG. 11 is a right side elevation view thereof; FIG. 12 is a left side elevation view thereof; FIG. 13 is a top elevation view thereof; and, FIG. 14 is a bottom elevation view thereof. The broken lines illustrate portions of the electrical connector that form no part of the claimed design. Areas of the design shown with stipple fill shading are to indicate a contrasting appearance, such as different colors.

1 Claim, 6 Drawing Sheets



(56)

References Cited

U.S. PATENT DOCUMENTS

D693,828 S *	11/2013	Akana	D14/436
D758,316 S *	6/2016	Graham	D13/147
D762,178 S *	7/2016	Liu	D13/147
2012/0071022 A1	3/2012	Su et al.	
2016/0134051 A1*	5/2016	Zhang	H01R 13/6205 439/39

* cited by examiner

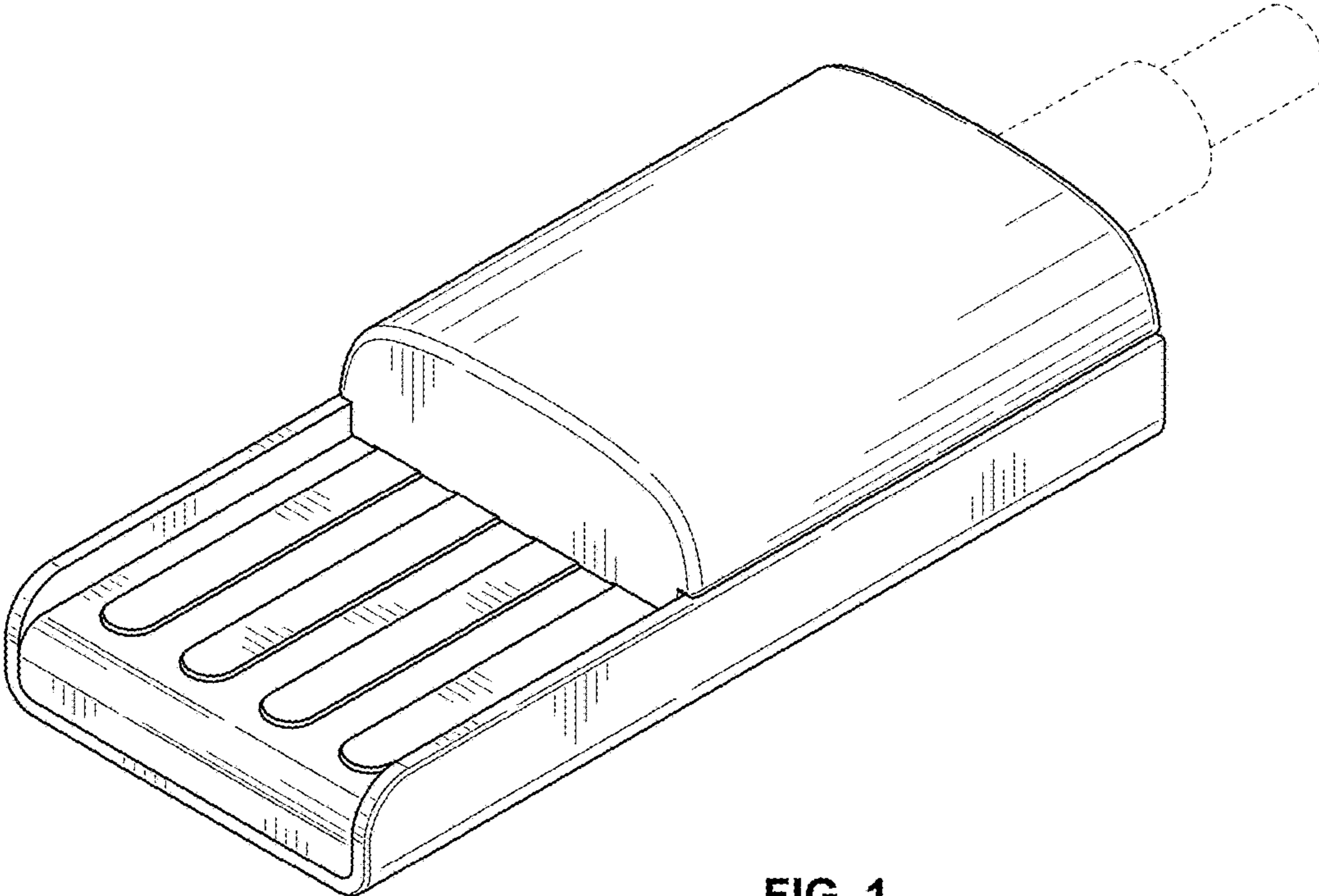


FIG. 1

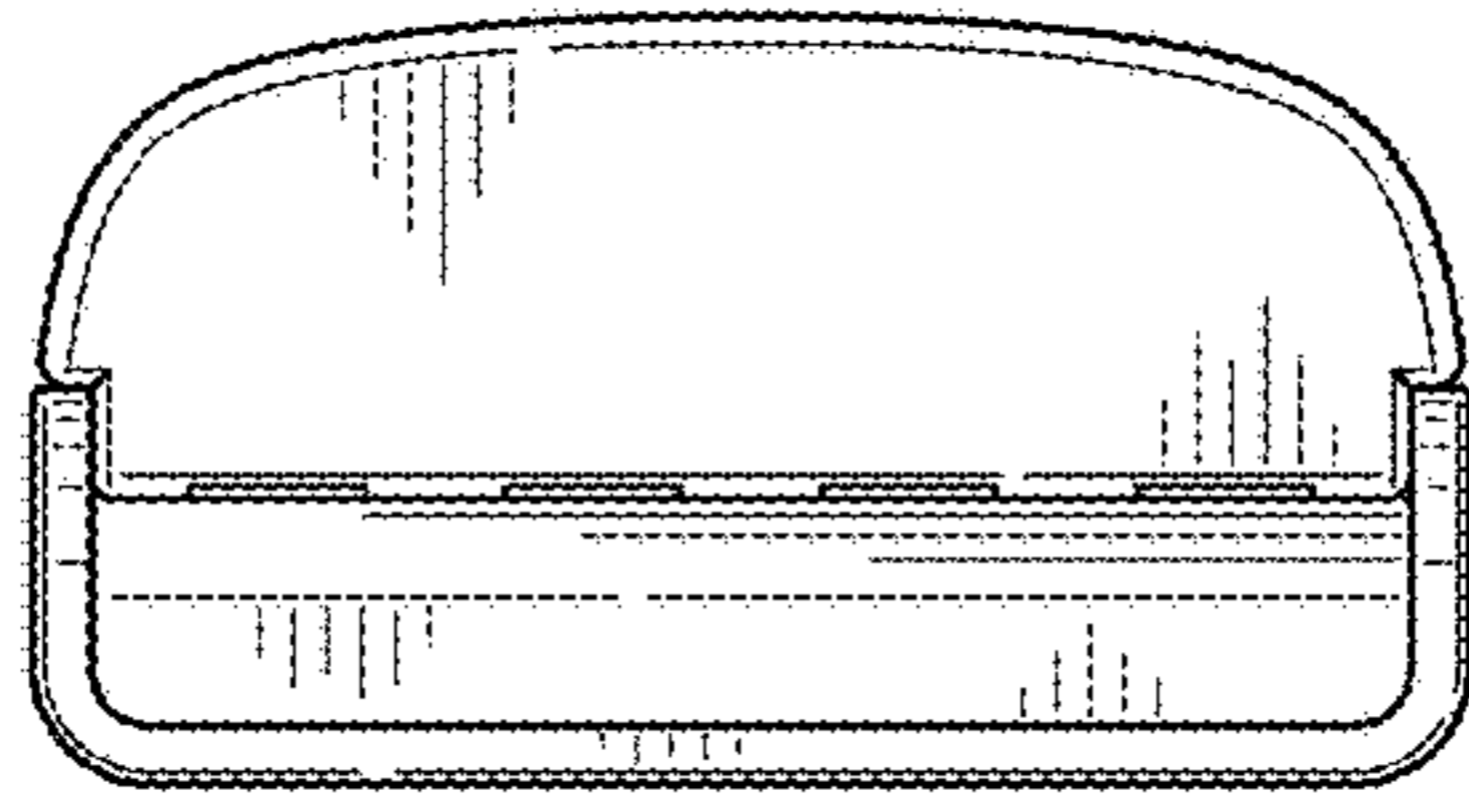


FIG. 2

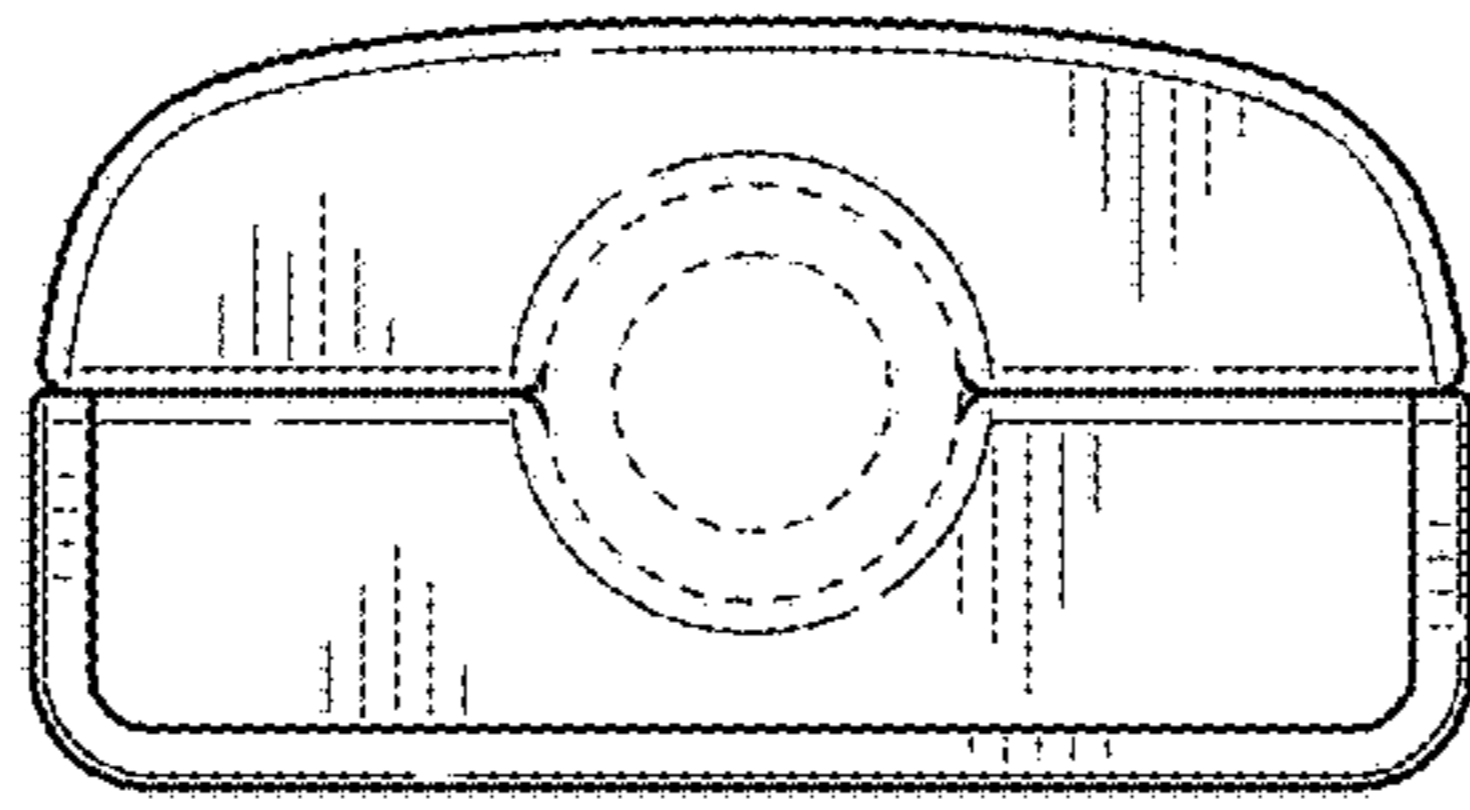


FIG. 3

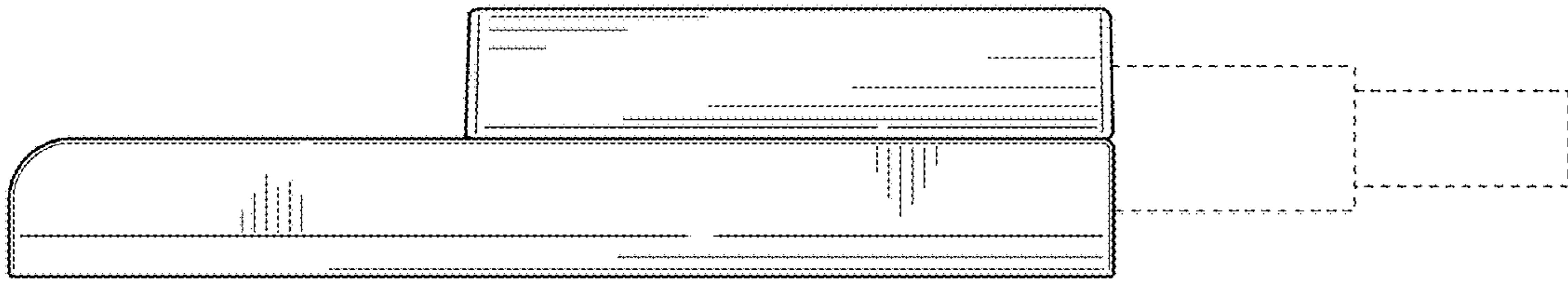


FIG. 4

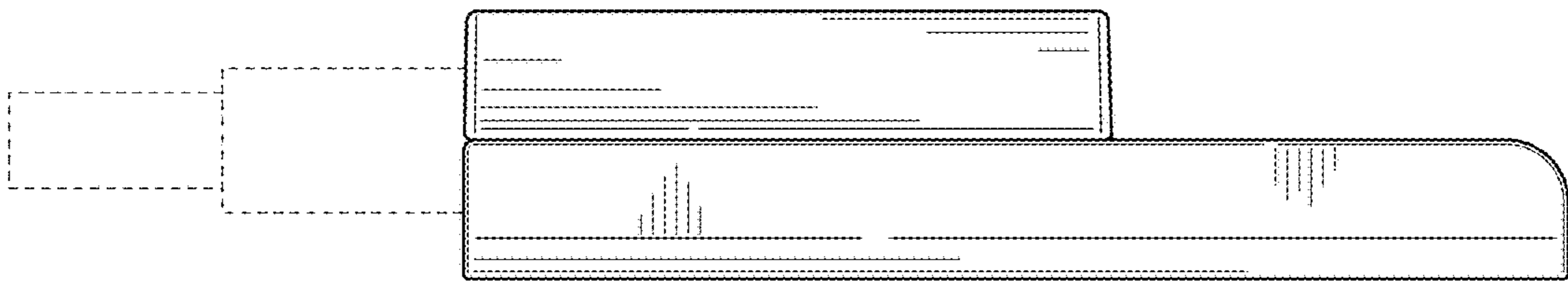


FIG. 5

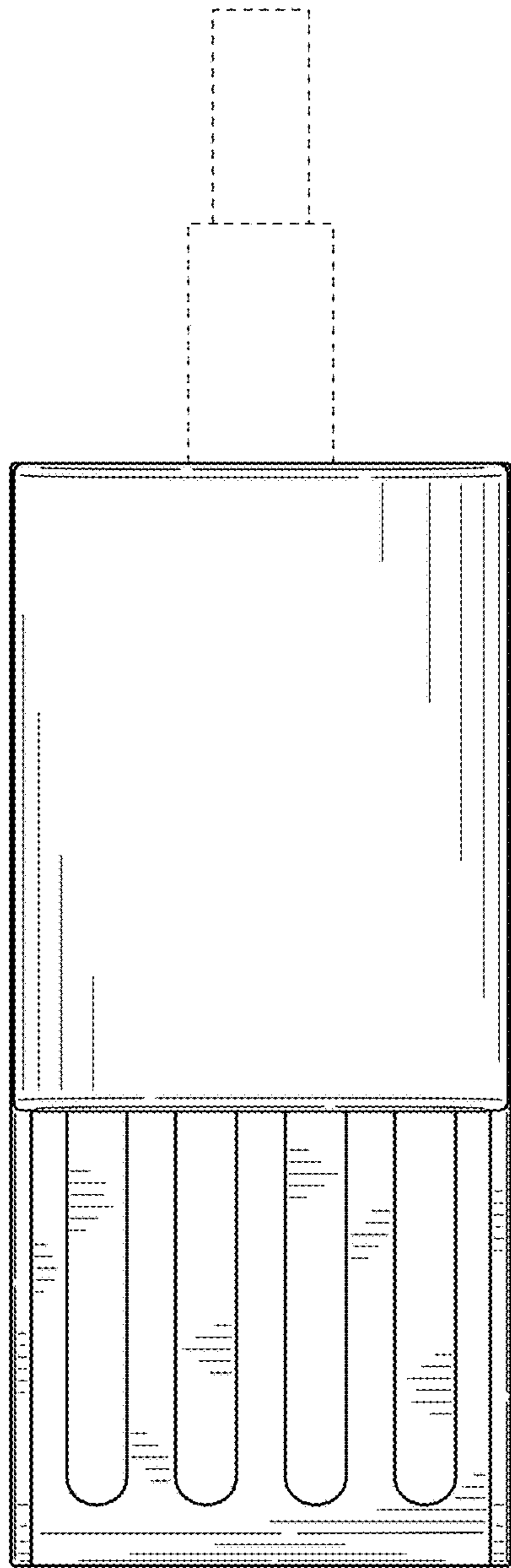


FIG. 6

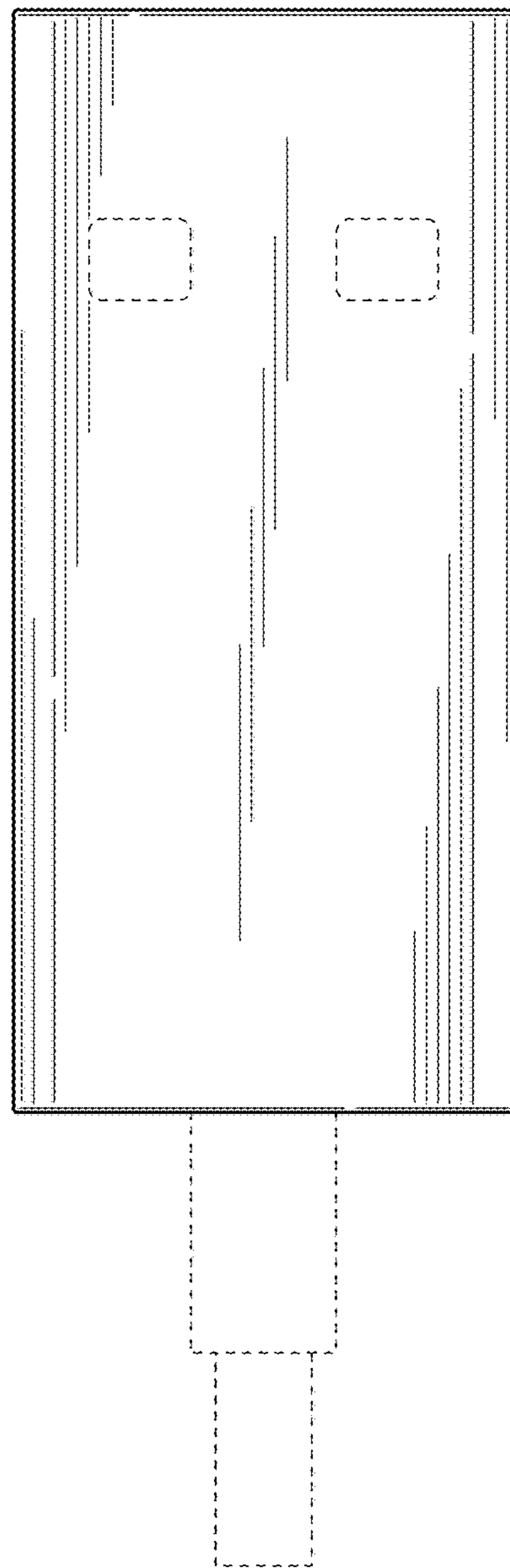


FIG. 7

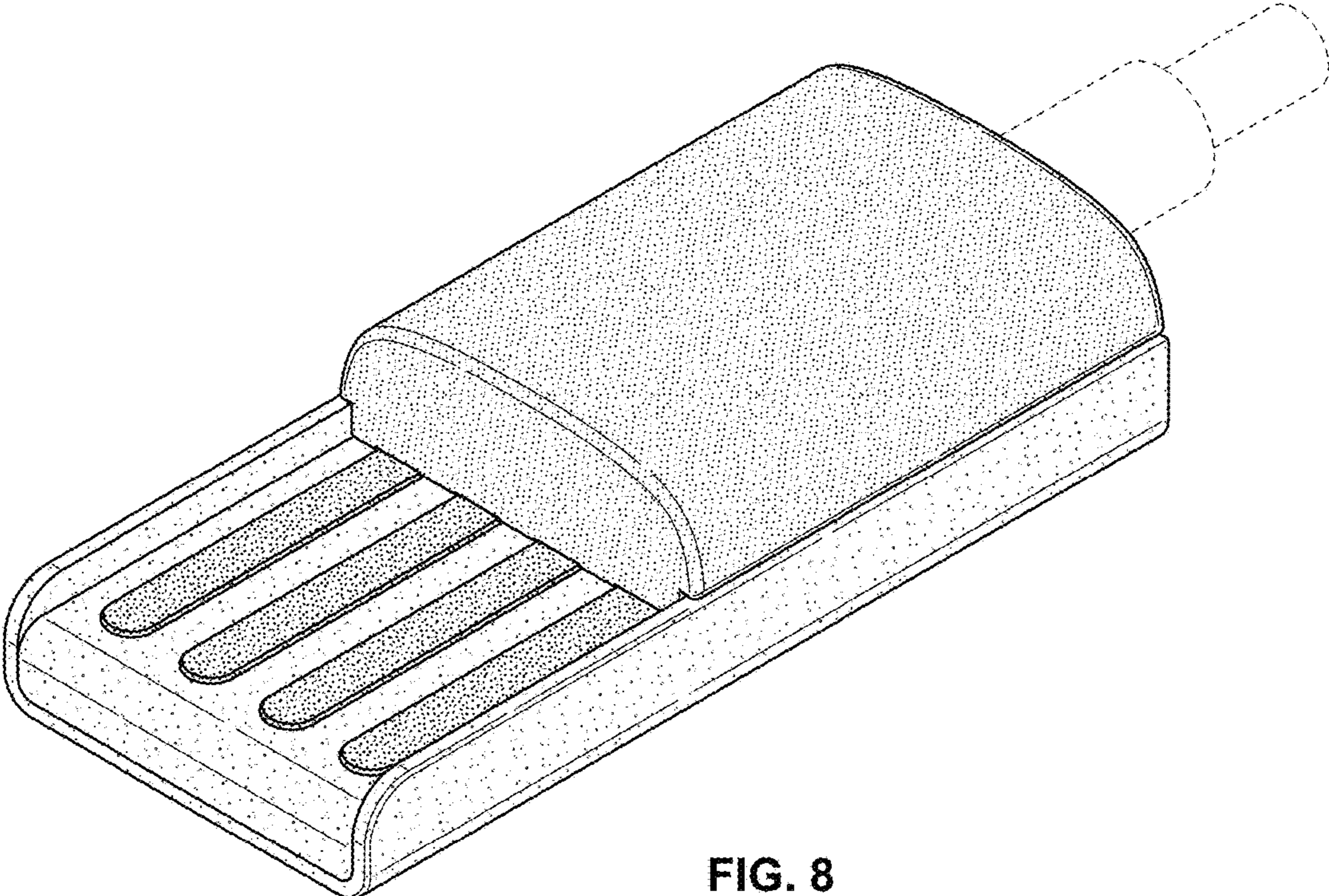


FIG. 8

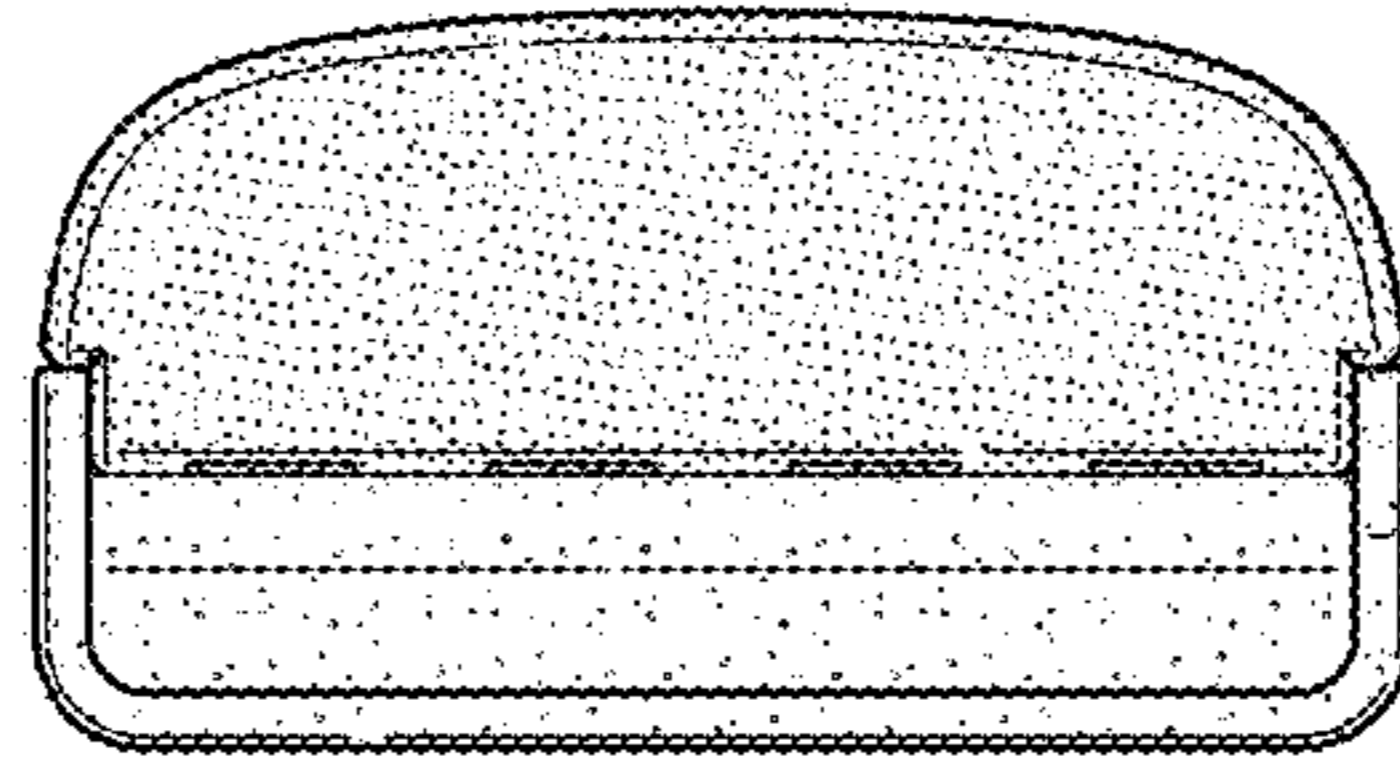


FIG. 9

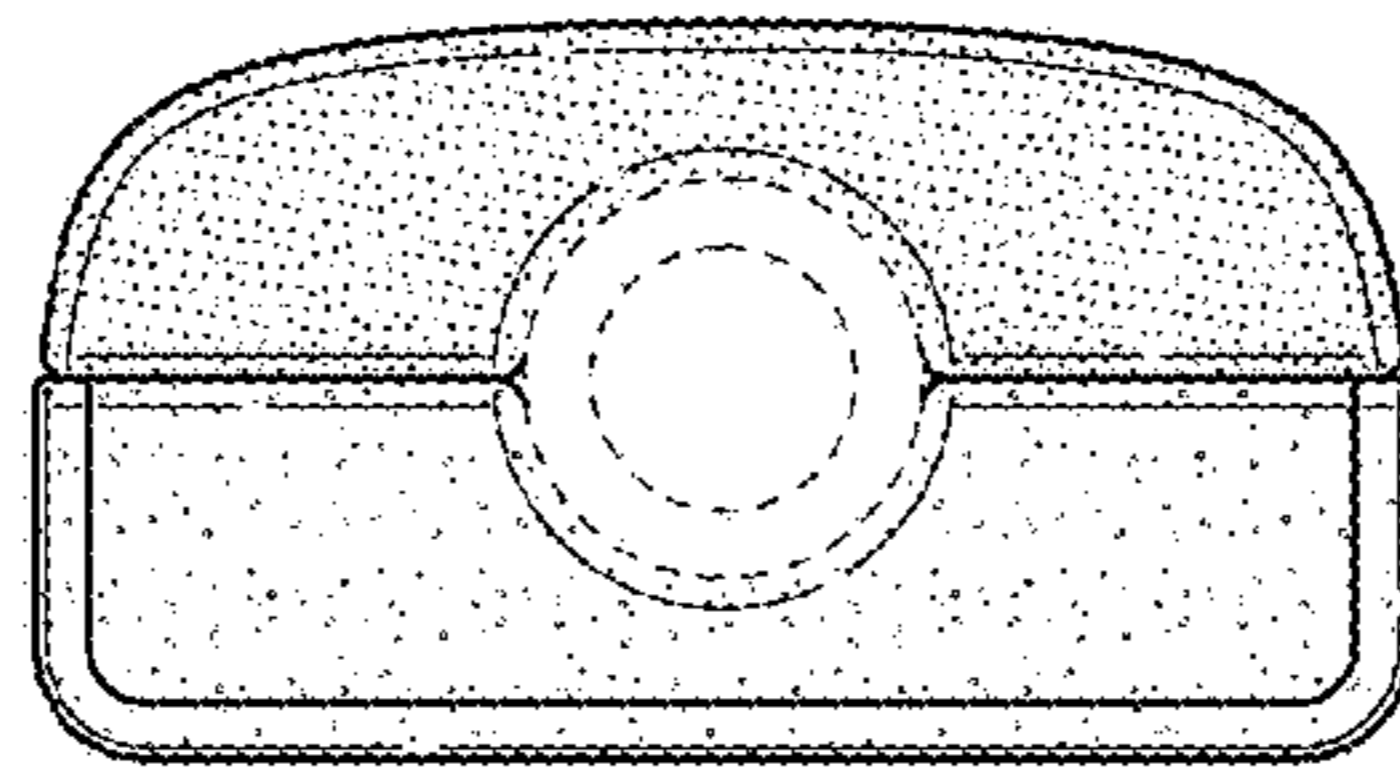


FIG. 10

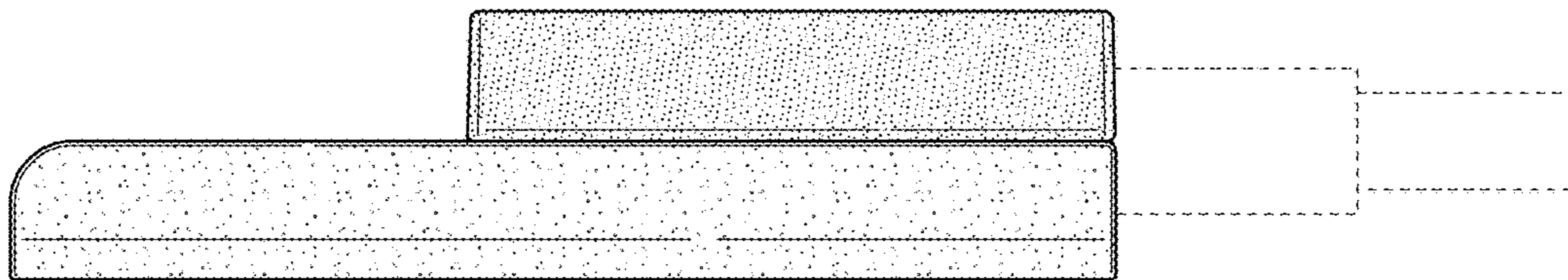


FIG. 11

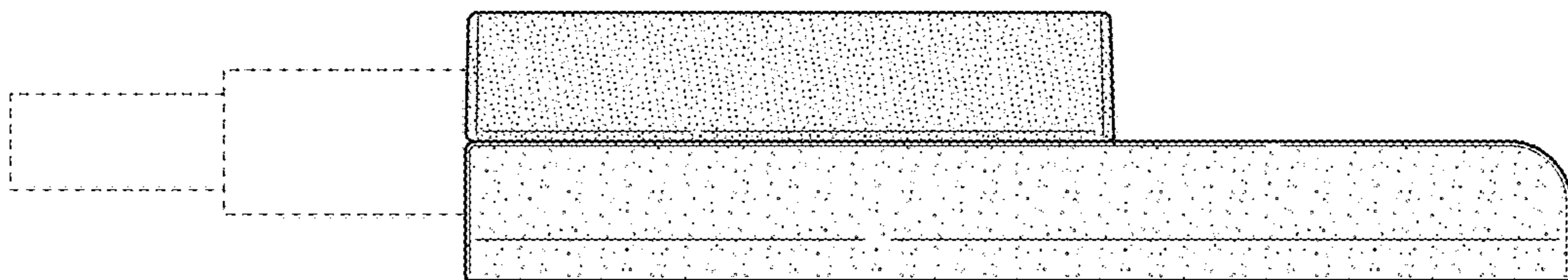


FIG. 12

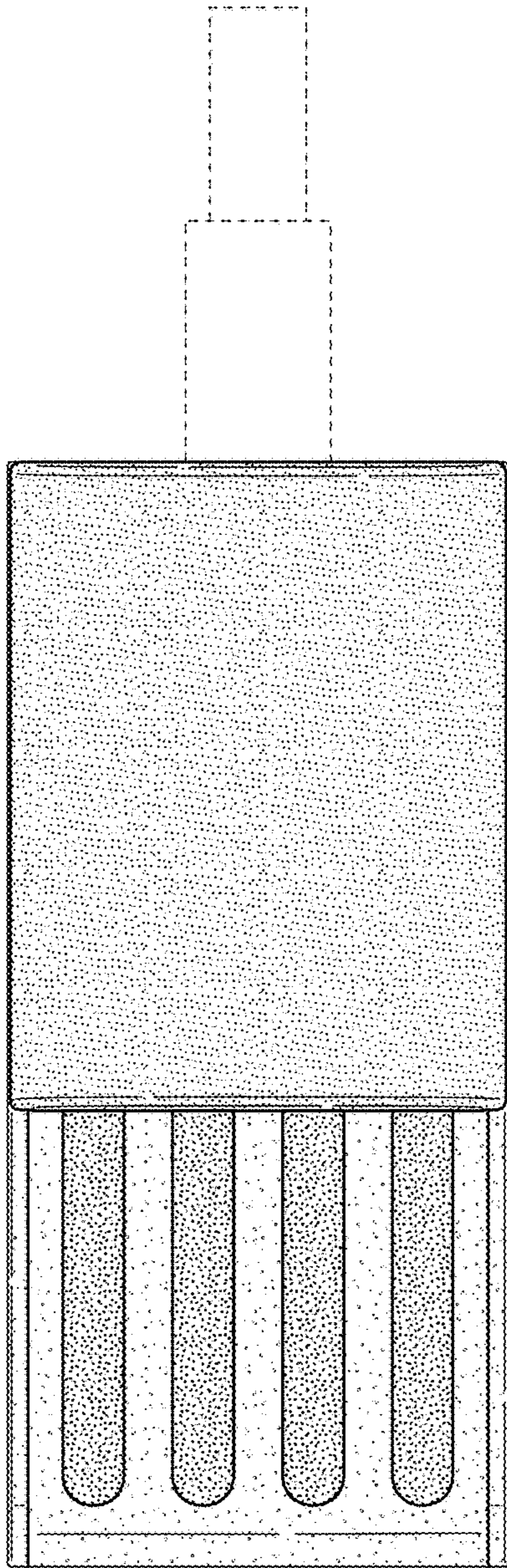


FIG. 13

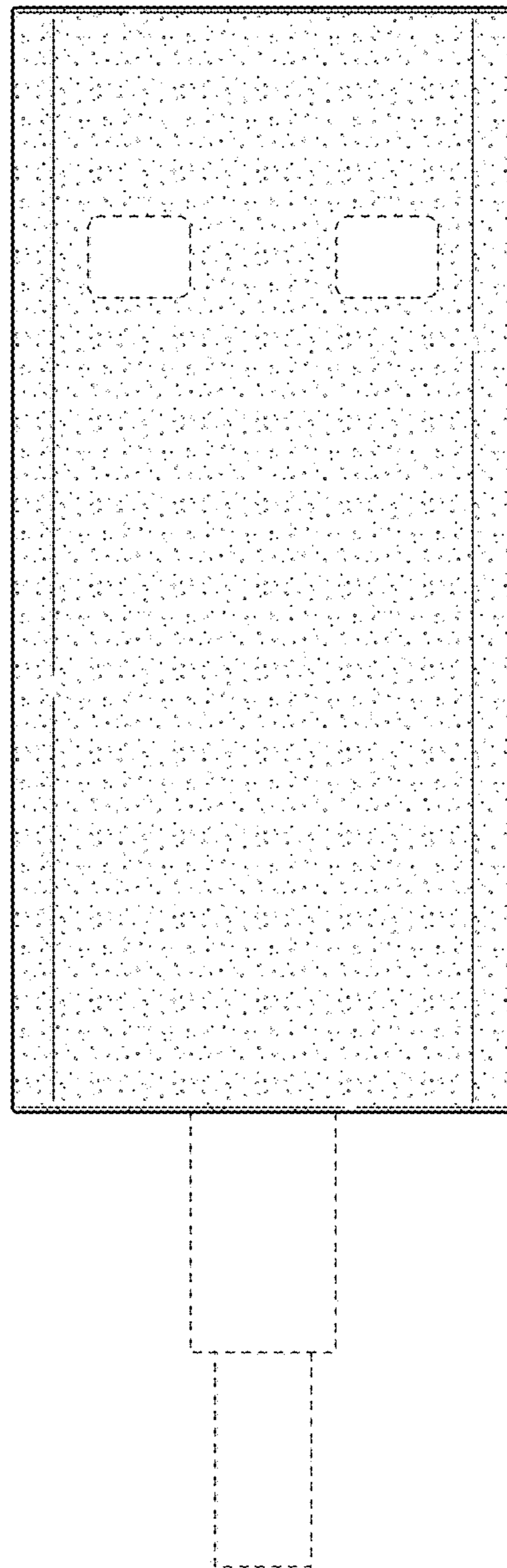


FIG. 14