



US00D776057S

(12) **United States Design Patent** (10) **Patent No.:** **US D776,057 S**
Burke (45) **Date of Patent:** **** Jan. 10, 2017**

(54) **LIGHTING CONTROL MODULE**
(71) Applicant: **Marde Burke**, Edmond, OK (US)
(72) Inventor: **Marde Burke**, Edmond, OK (US)
(**) Term: **15 Years**
(21) Appl. No.: **29/538,188**
(22) Filed: **Sep. 1, 2015**
(51) **LOC (10) Cl.** **13-03**
(52) **U.S. Cl.**
USPC **D13/137.2**
(58) **Field of Classification Search**
USPC D13/137.1-137.4, 138.1-138.2,
D13/139.1-139.8, 110; D10/106.9;
D26/26; 363/143, 146
CPC H01R 13/71; H01R 13/68; H01R 25/162
See application file for complete search history.

D716,726 S * 11/2014 Workman D13/110
D720,092 S * 12/2014 Trice D26/26
D756,303 S * 5/2016 Kellenberger D13/137.1
D763,796 S * 8/2016 Xu D13/137.1
D763,797 S * 8/2016 Xu D13/137.2
2004/0218411 A1* 11/2004 Luu H01R 31/065
363/146

* cited by examiner

Primary Examiner — Rhea Shields
(74) *Attorney, Agent, or Firm* — Resolution Legal Group;
Bruce LaBrie

(56) **References Cited**

U.S. PATENT DOCUMENTS

5,973,948 A * 10/1999 Hahn H01R 13/6675
363/143
D490,776 S * 6/2004 Hsiao D13/139.7
D572,712 S * 7/2008 Ledbetter D13/110
D575,775 S * 8/2008 Sekine D13/137.3
D649,485 S * 11/2011 Ferrino D10/106.9
D659,095 S * 5/2012 McManigal D13/110
D700,140 S * 2/2014 Loya D13/110
D700,579 S * 3/2014 Mobbs D13/137.1
D714,221 S * 9/2014 Neiser D13/139.8

(57) **CLAIM**

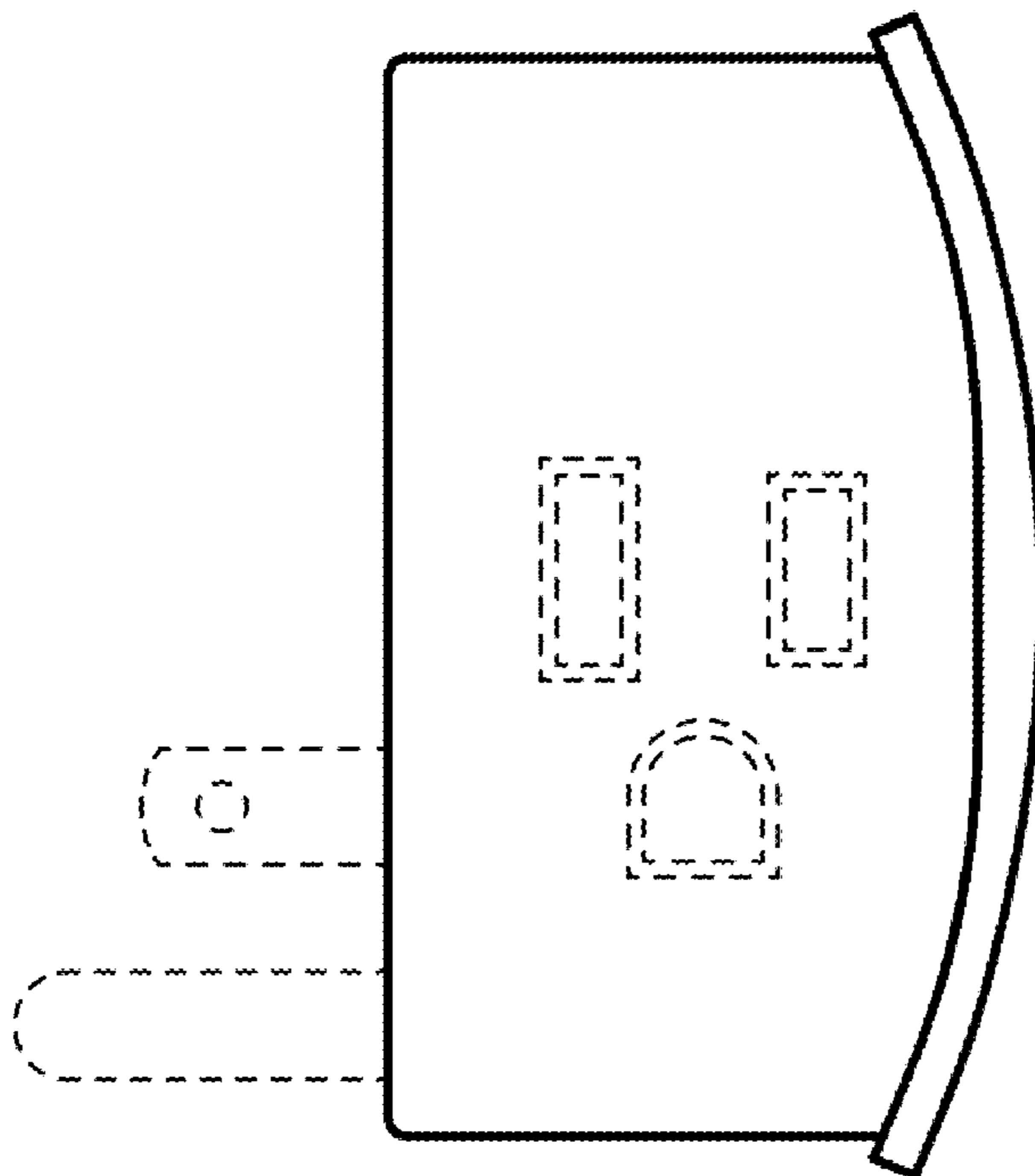
The ornamental design for a lighting control module, as shown and described.

DESCRIPTION

FIG. 1 is a left side elevational view of a lighting control module comprising the new design;
FIG. 2 is a front elevational view;
FIG. 3 is a right side elevational view;
FIG. 4 is a rear elevational view;
FIG. 5 is a top view;
FIG. 6 is a front perspective view; and
FIG. 7 is a bottom view.

In the drawings, the broken lines are for the purpose of illustrating environment only and form no part of the claimed design.

1 Claim, 2 Drawing Sheets



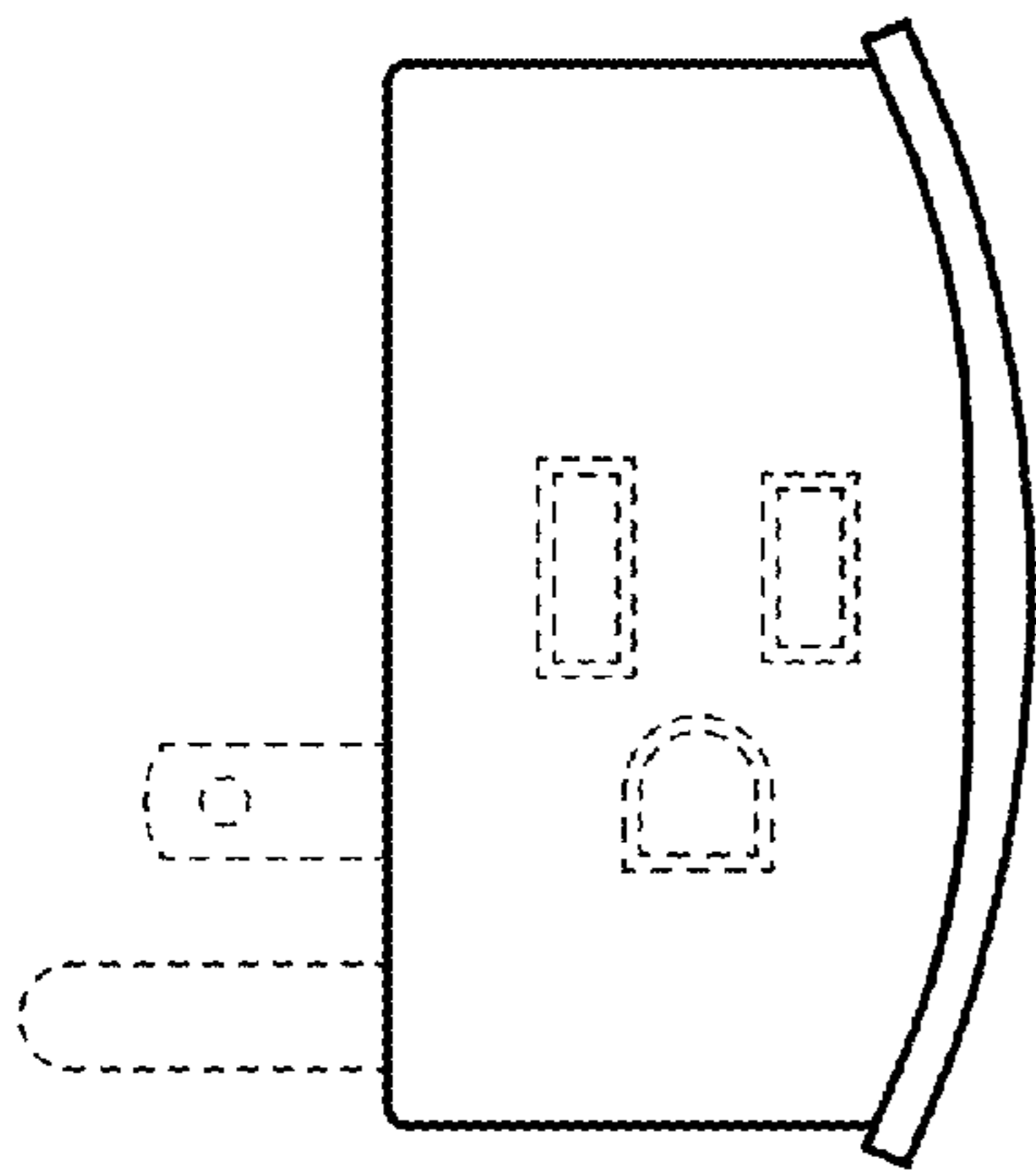


FIG. 1

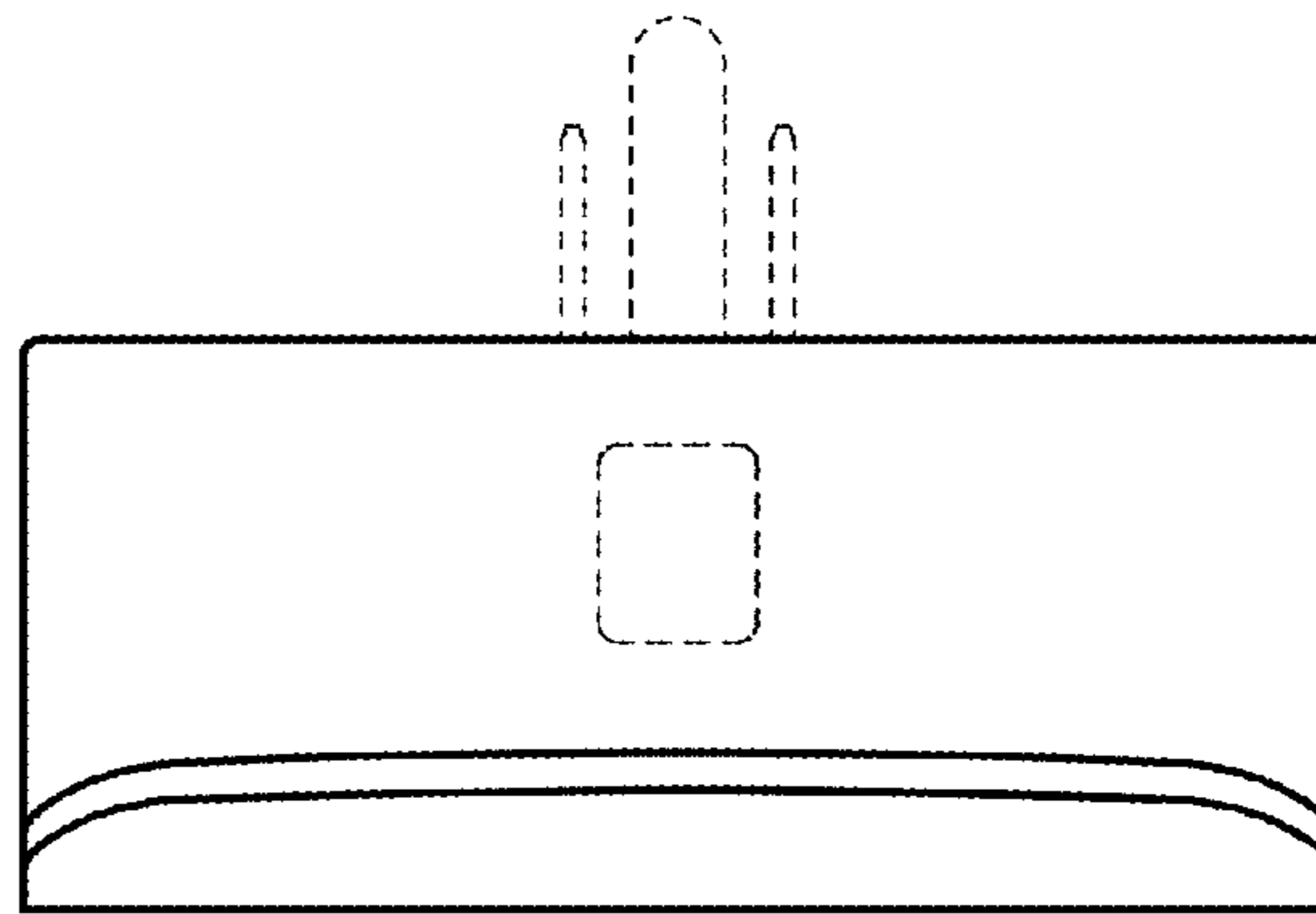


FIG. 3

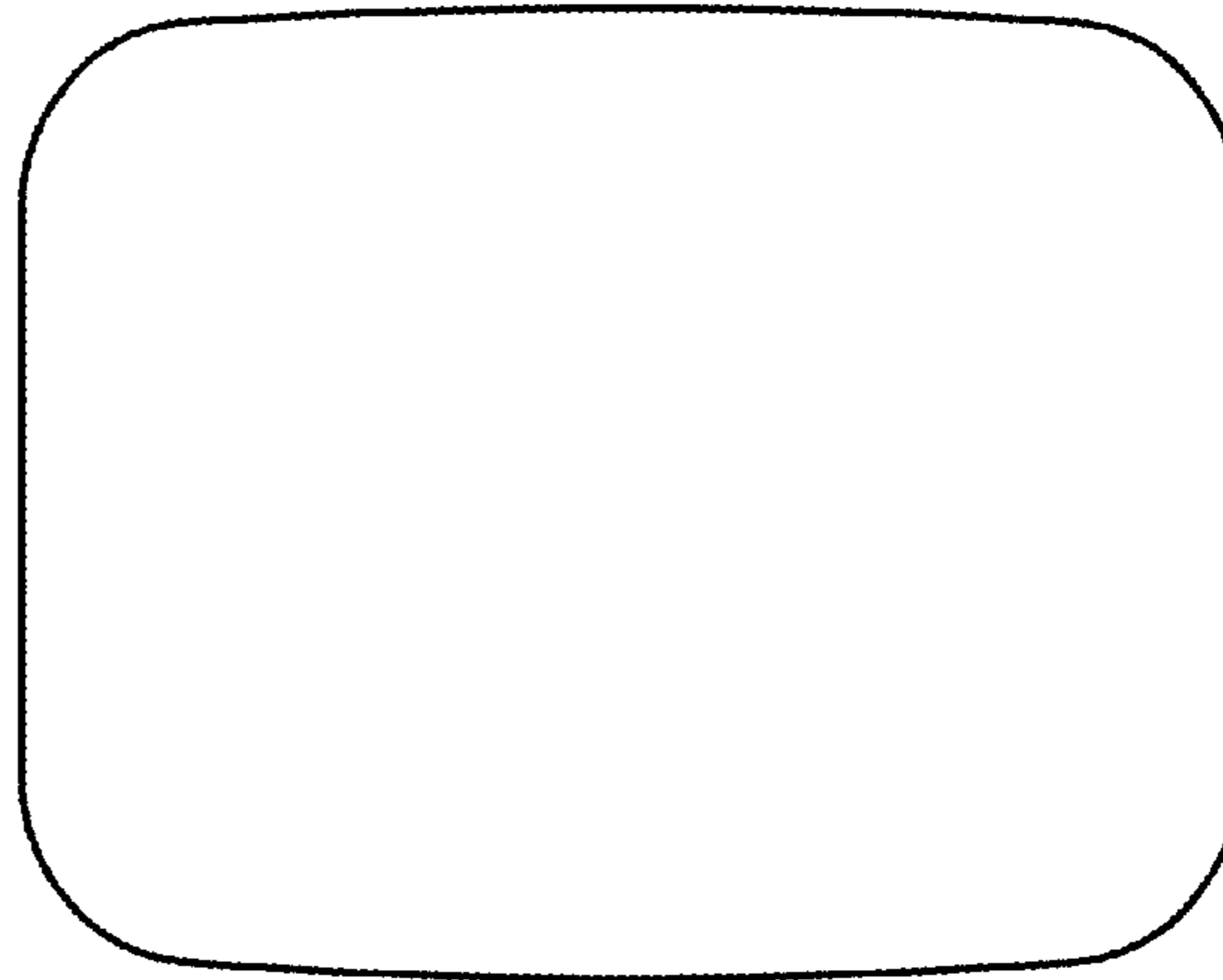


FIG. 2

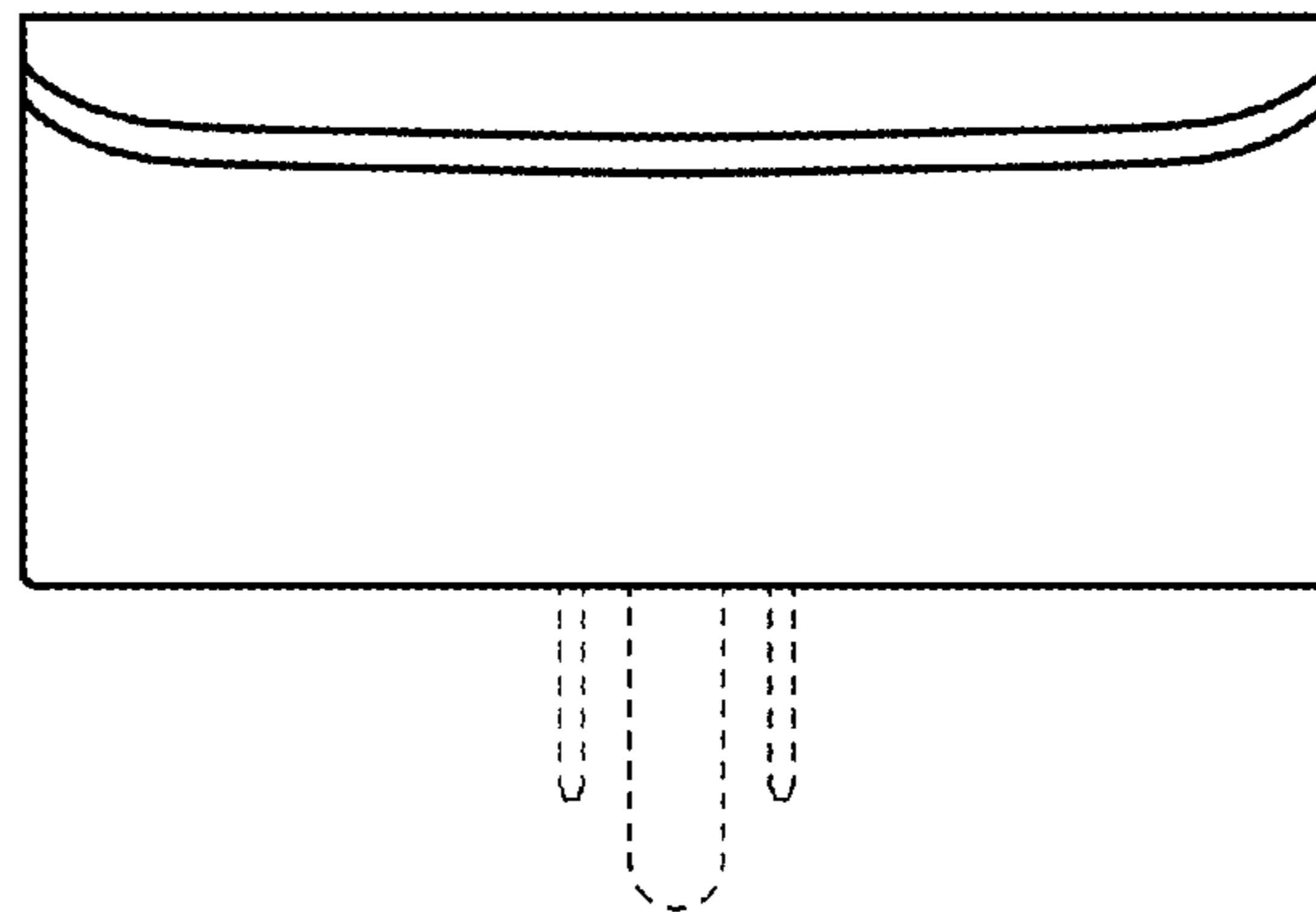


FIG. 4

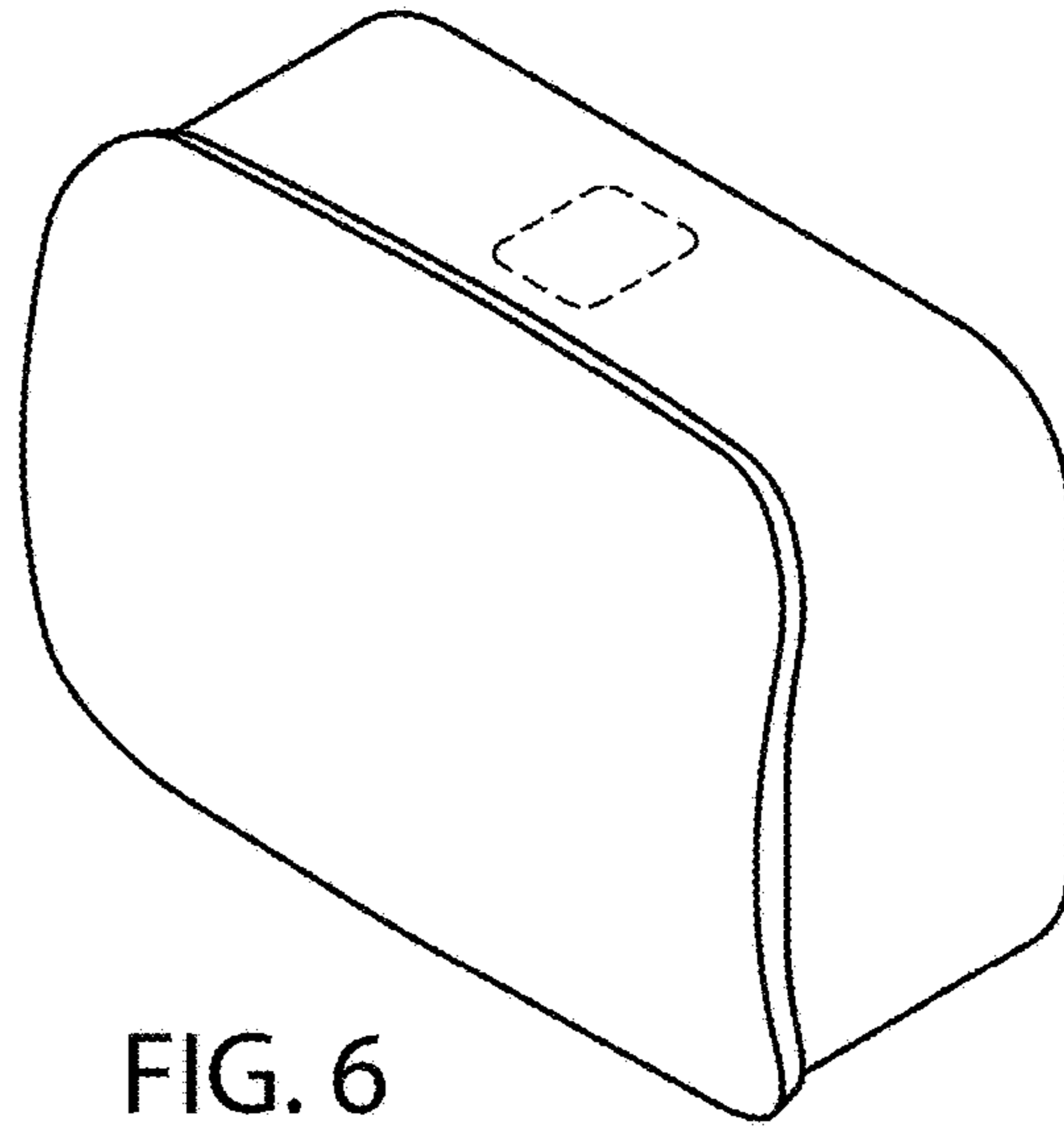


FIG. 6

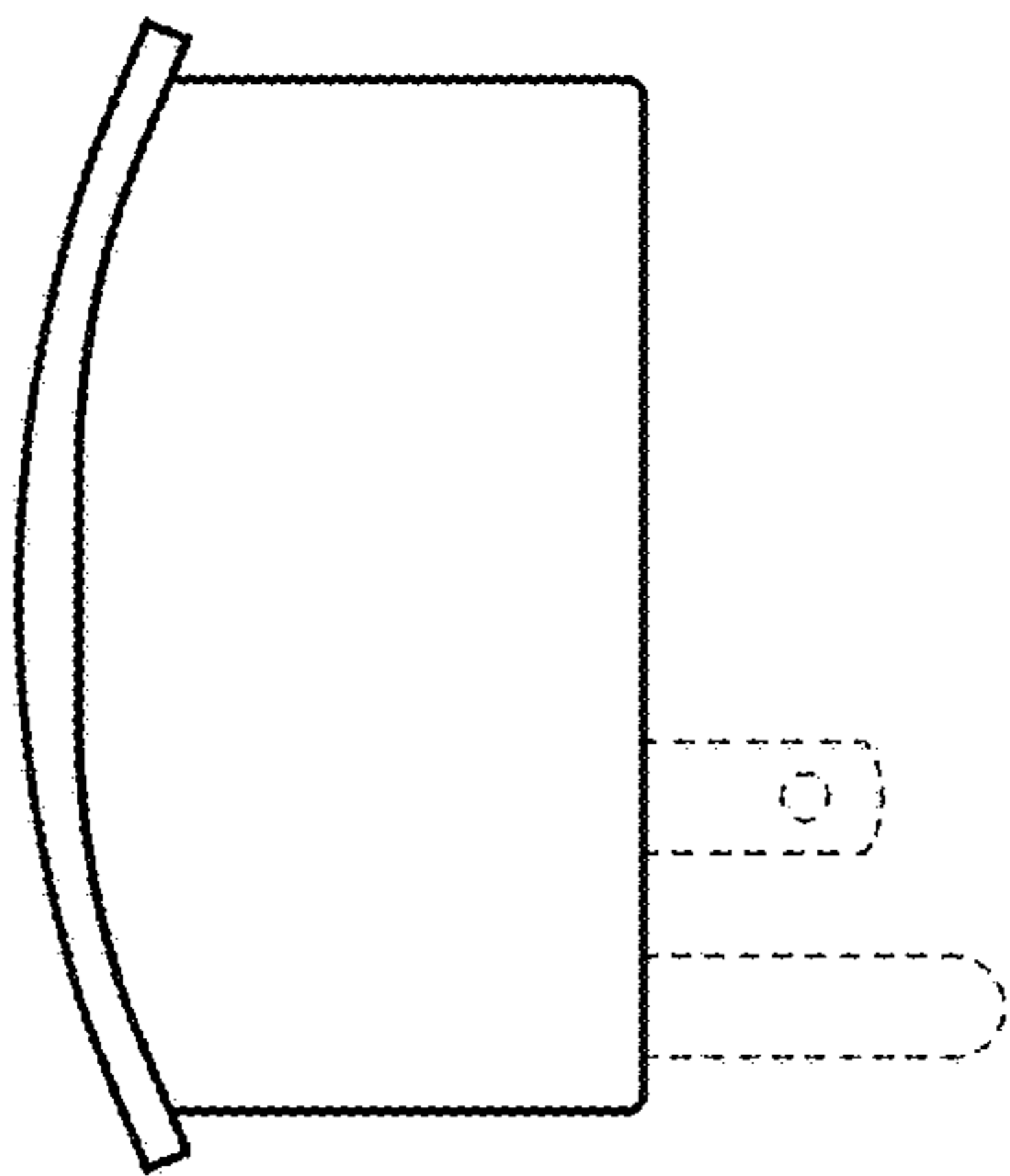


FIG. 5

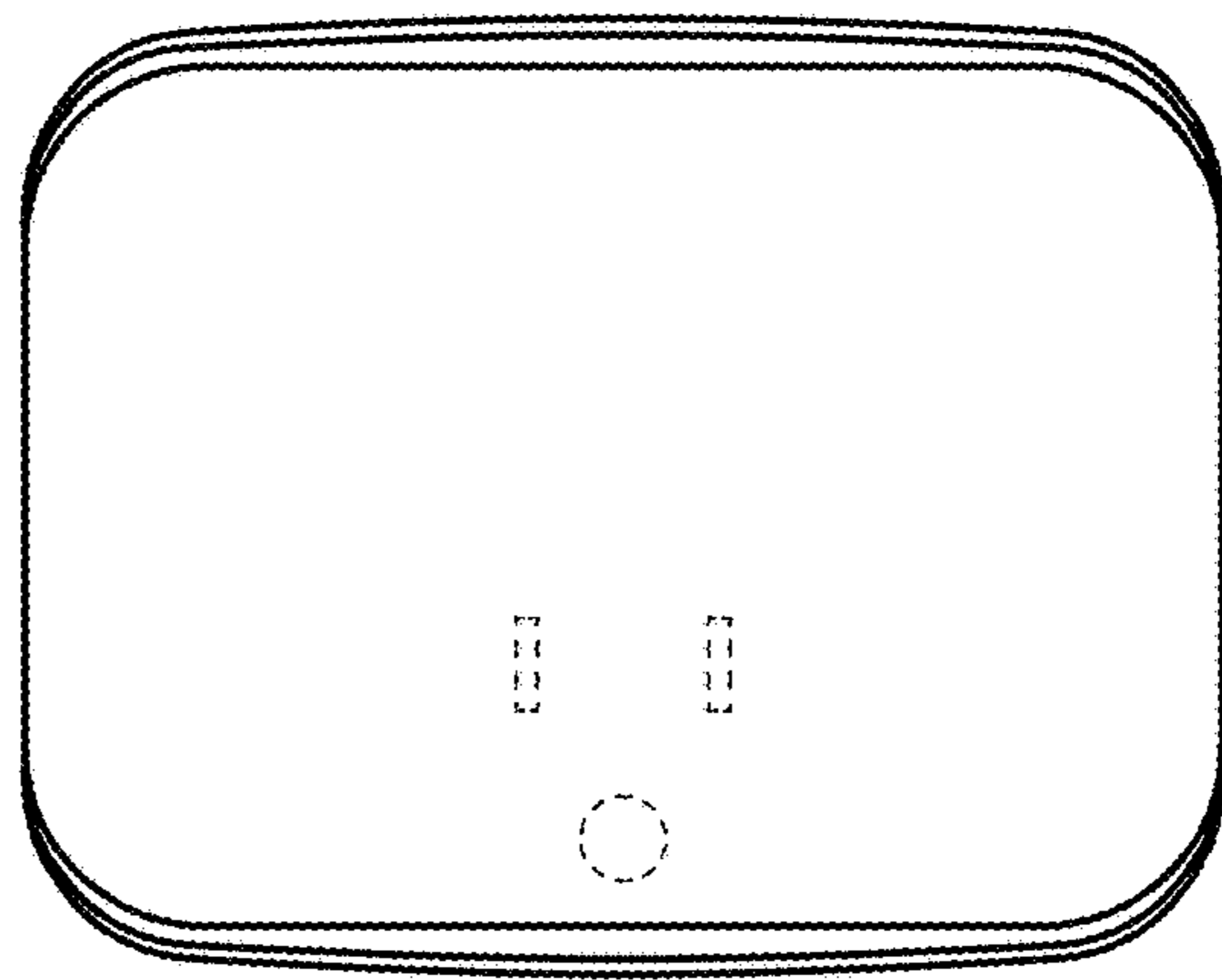


FIG. 7