



US00D776055S

(12) **United States Design Patent** (10) **Patent No.:** **US D776,055 S**
Wallace et al. (45) **Date of Patent:** **** Jan. 10, 2017**

(54) **INTEGRATED CONDUIT AND INTERFACE BOX FOR A MOTOR**

(71) Applicant: **Nidec Motor Corporation**, St. Louis, MO (US)
 (72) Inventors: **Craig E. Wallace**, Brighton, IL (US); **Douglas F. Walker**, Long Beach, CA (US); **Jason D. LeBloch**, Santa Monica, CA (US); **Jonathan R. Lucas**, Long Beach, CA (US); **John Scott Lee**, Long Beach, CA (US); **Scott J. Durfee**, Wildwood, MO (US)

(73) Assignee: **Nidec Motor Corporation**, St. Louis, MO (US)

(**) Term: **14 Years**

(21) Appl. No.: **29/492,248**

(22) Filed: **May 29, 2014**

(51) **LOC (10) Cl.** **13-01**

(52) **U.S. Cl.**
 USPC **D13/122; D13/112**

(58) **Field of Classification Search**
 USPC D13/112, 113, 114, 122, 199; D15/3, 5, D15/199; 74/606 R, 609; 310/10, 40 R, 310/42, 51, 58, 71, 85, 89, 91, 109, 236, 310/239, 254; 318/245, 255; 29/596
 CPC F02B 2063/045; F02B 2063/046; F02B 63/04; F02B 63/048; H02K 3/24; H02K 3/47; H02K 5/00; H02K 5/02; H02K 5/06; H02K 5/08

See application file for complete search history.

(56) **References Cited**

U.S. PATENT DOCUMENTS

D217,674 S *	5/1970	Jaeschke	D13/122
D325,561 S *	4/1992	Wilson	D13/118
D530,278 S *	10/2006	Lyle	D13/122
D588,061 S *	3/2009	Bao	D13/122
D594,476 S *	6/2009	Mayer	D15/5
D596,122 S *	7/2009	Imai	D13/122
D604,240 S *	11/2009	Imai	D13/122
D676,811 S *	2/2013	Marshall	D13/112

* cited by examiner

Primary Examiner — Derrick Holland

(74) *Attorney, Agent, or Firm* — Hovey Williams LLP

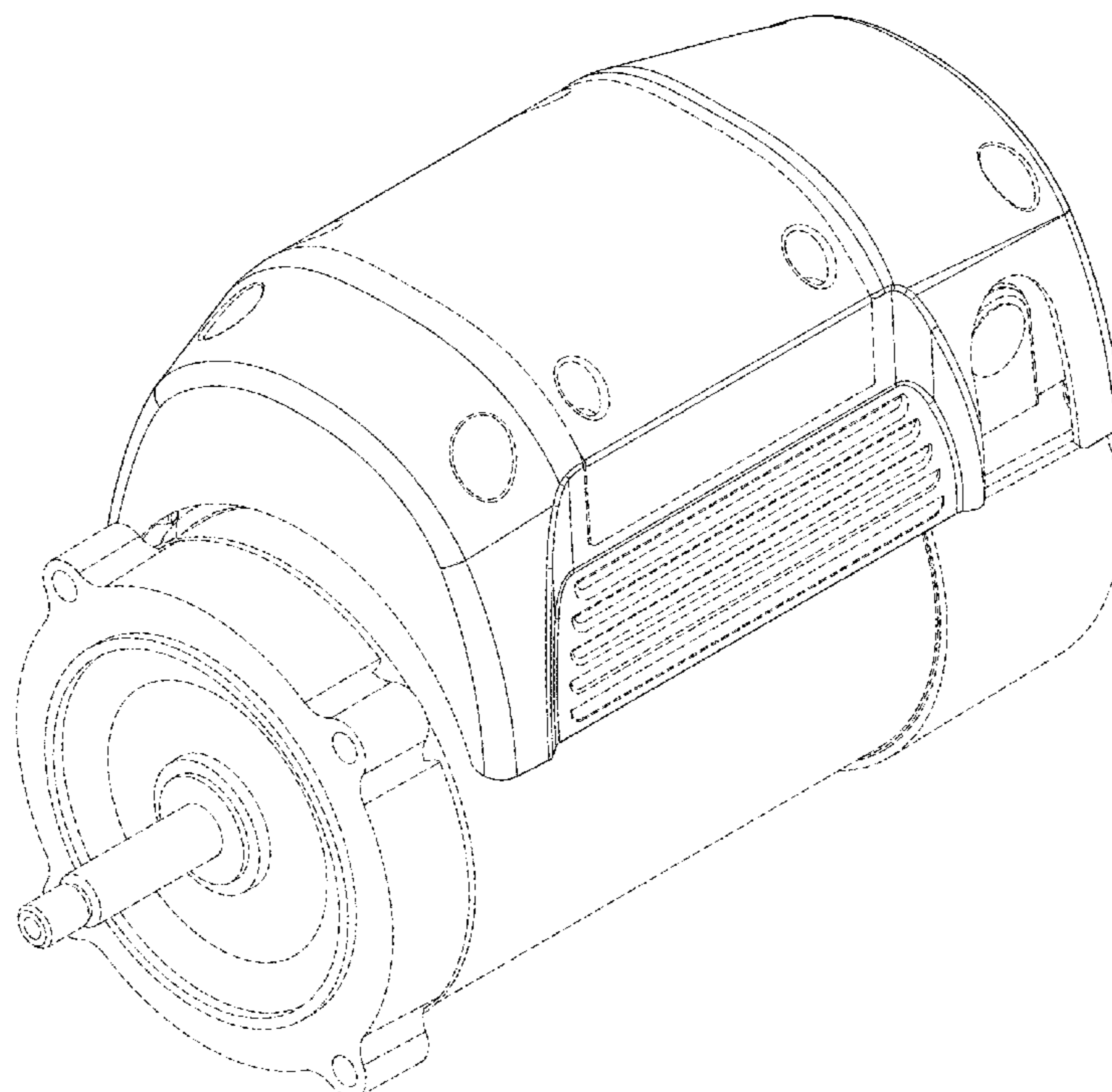
(57) **CLAIM**

The ornamental design for an integrated conduit and interface box for a motor, as shown and described.

DESCRIPTION

FIG. 1 is a front perspective view of an integrated conduit and interface box for a motor showing our new design; FIG. 2 is a side elevation view thereof, with the opposite side being a mirror image; FIG. 3 is a front elevation view thereof; FIG. 4 is a rear elevation view thereof; and, FIG. 5 is a top plan view thereof. The broken lines shown represent unclaimed subject matter and form no part of the claimed design.

1 Claim, 3 Drawing Sheets



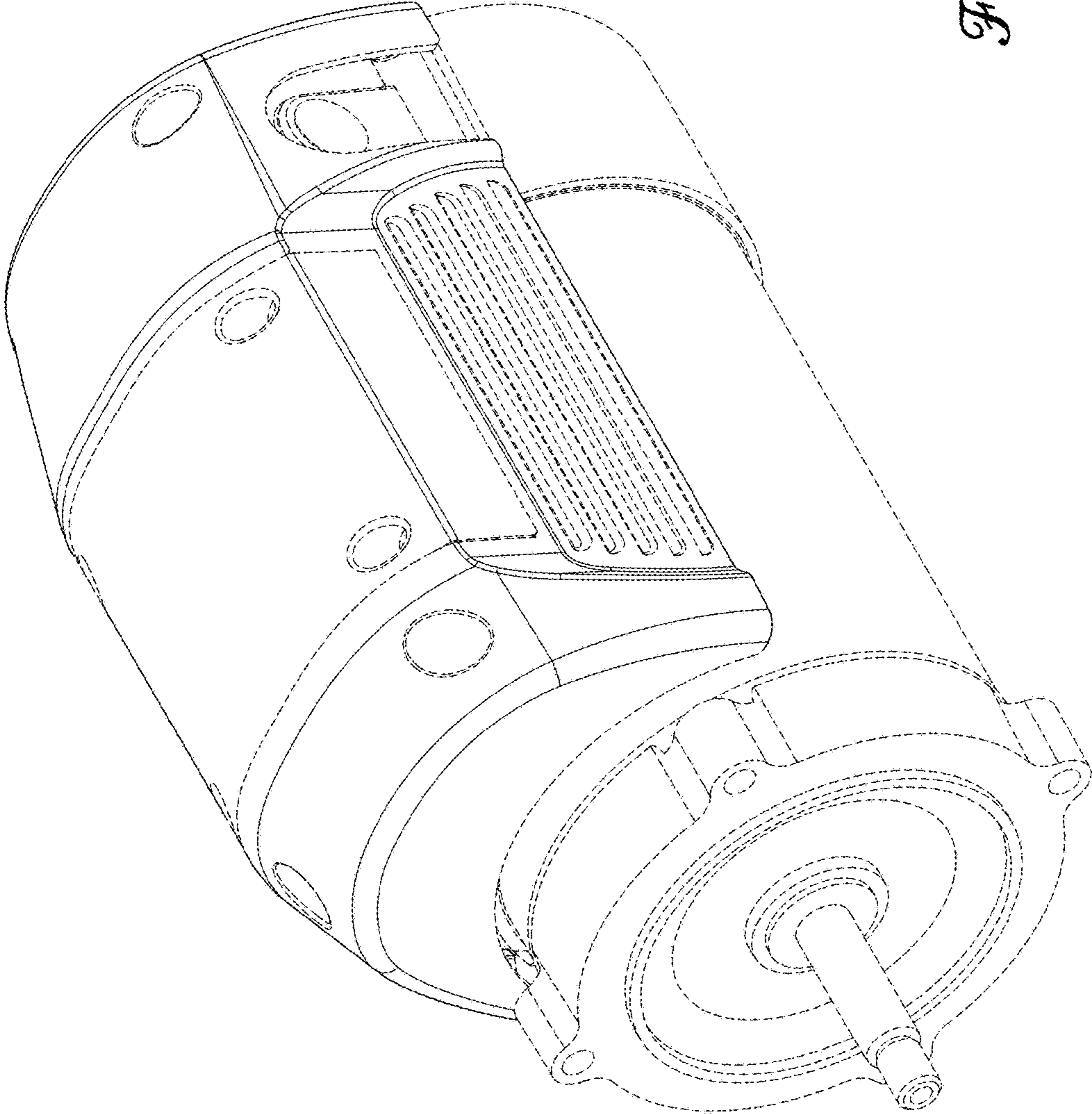


Fig. 1.

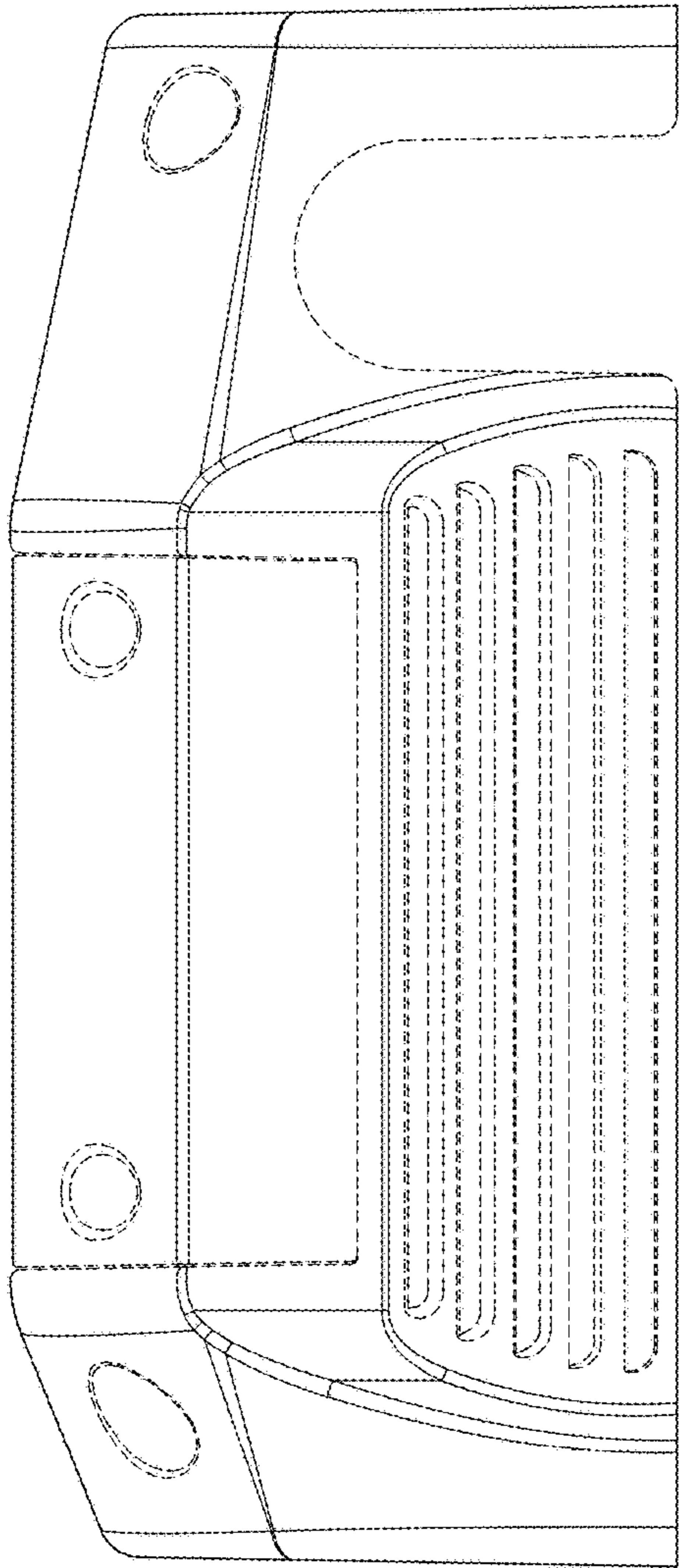


Fig. 2.

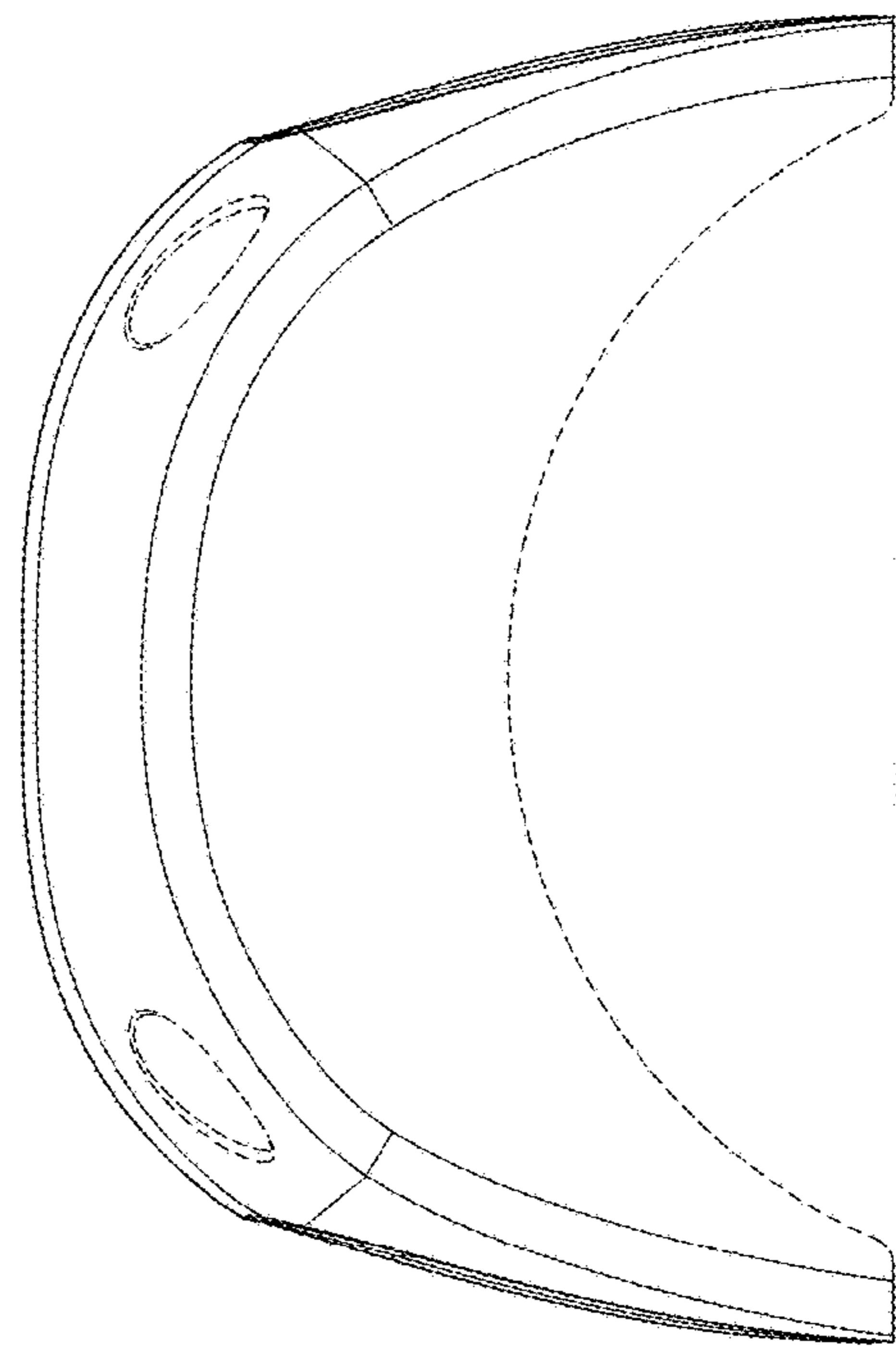


Fig. 3.

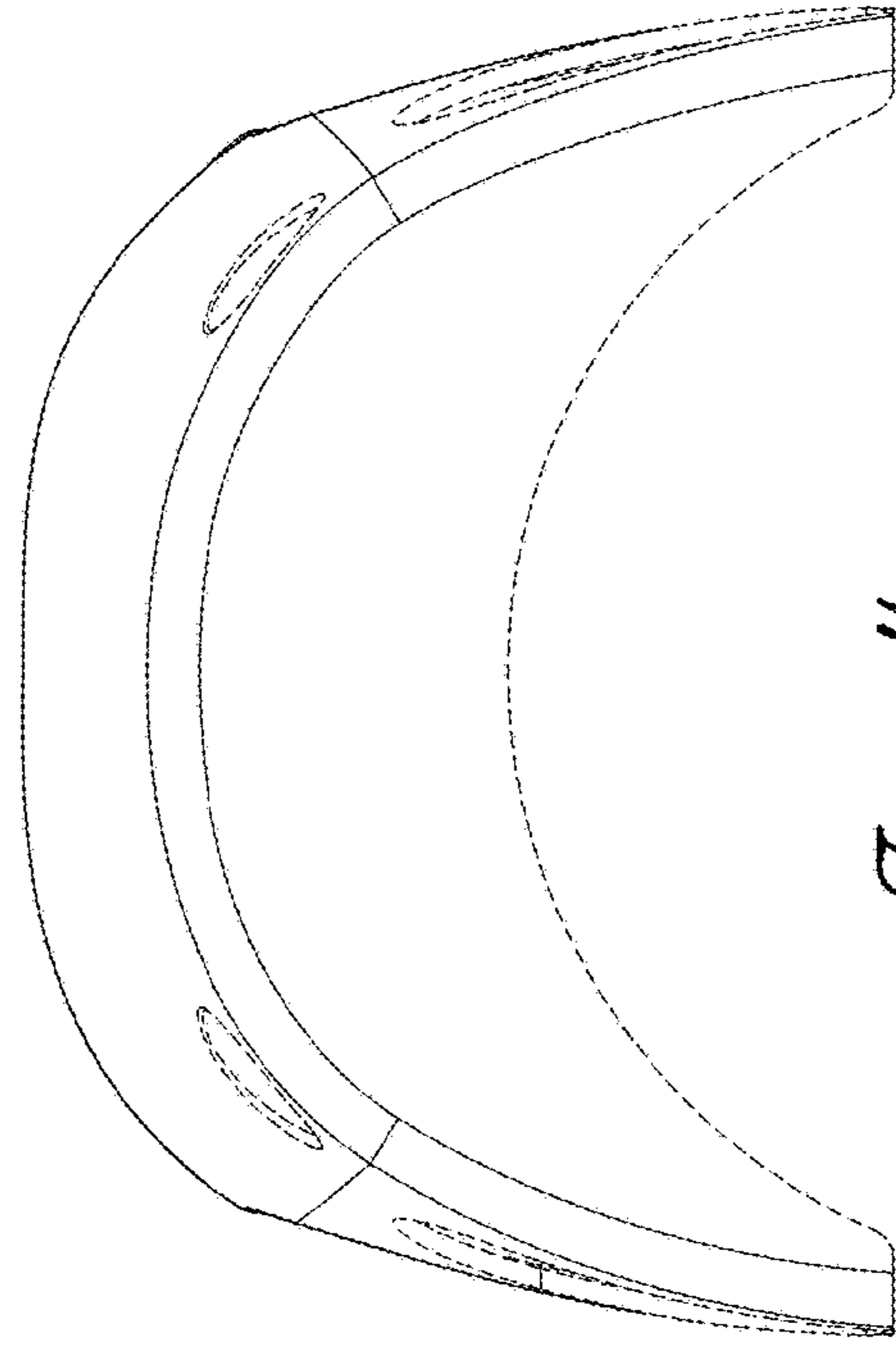


Fig. 4.

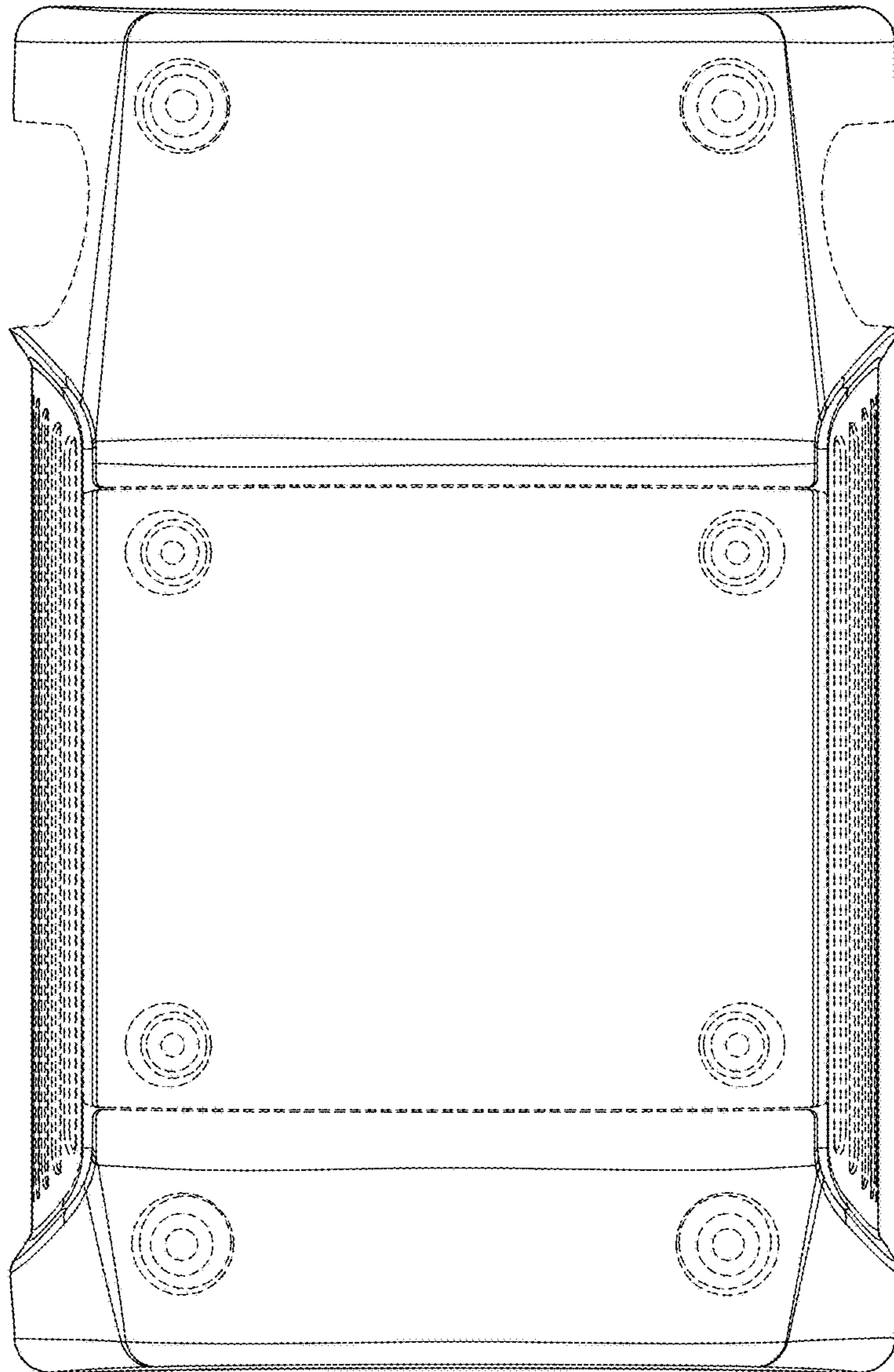


Fig. 5.