



US00D776053S

(12) **United States Design Patent**  
**Barnard**

(10) **Patent No.: US D776,053 S**

(45) **Date of Patent: \*\* Jan. 10, 2017**

(54) **INDUCTIVE CHARGING STATION**

(71) Applicant: **Brandon Barnard**, Evansville, IN (US)

(72) Inventor: **Brandon Barnard**, Evansville, IN (US)

(\*\*) Term: **14 Years**

(21) Appl. No.: **29/513,456**

(22) Filed: **Dec. 31, 2014**

(51) **LOC (10) Cl.** ..... **13-02**

(52) **U.S. Cl.**  
USPC ..... **D13/108**

(58) **Field of Classification Search**

USPC ..... D13/107-110, 118, 119, 133, 144, 184;  
D14/251, 253, 432, 434; 320/107-115  
CPC ..... Y02E 60/12; Y02T 90/14; Y02T 90/122;  
Y02T 90/128; Y02T 90/163; H02J 7/025;  
H02J 7/042; H02J 7/044; H02J  
7/0003; H02J 7/0027; H02J 7/0013; H02J  
7/0054; H02J 7/00; H02J 2001/008; H02J  
3/32; H02J 3/008; H01F 38/14; H01R  
13/6675; H01M 2/1022; H01M 2/1055;  
H01M 10/44; H01M 10/46; H01M  
10/425; B60L 11/182; B60L  
11/1809; B60L 11/1861; B60R 16/03  
See application file for complete search history.

(56) **References Cited**

**U.S. PATENT DOCUMENTS**

D645,865 S *	9/2011	Diehl	.....	D14/299
D724,025 S *	3/2015	Peek	.....	D13/108
D746,288 S *	12/2015	Mathis	.....	D14/432
2007/0135174 A1 *	6/2007	Musk	.....	H02J 7/0044
				455/569.1
2015/0002087 A1 *	1/2015	Mack	.....	H02J 7/025
				320/108
2015/0002088 A1 *	1/2015	D'Agostino	.....	H02J 7/025
				320/108

(Continued)

**OTHER PUBLICATIONS**

Mikeshouts.com: Apple Watch Is Yet to Be Available, But You Can Order the Charging Stand From DODOCase Already, published Sep. 25, 2014. Retrieved from the internet at <http://mikeshouts.com/dodocase-apple-watch-charging-stand/>, Mar. 2, 2016. 4 pages.\*

(Continued)

*Primary Examiner* — Rosemary K Tarcza

*Assistant Examiner* — James Thorn, Sr.

(74) *Attorney, Agent, or Firm* — Gary K. Price

(57) **CLAIM**

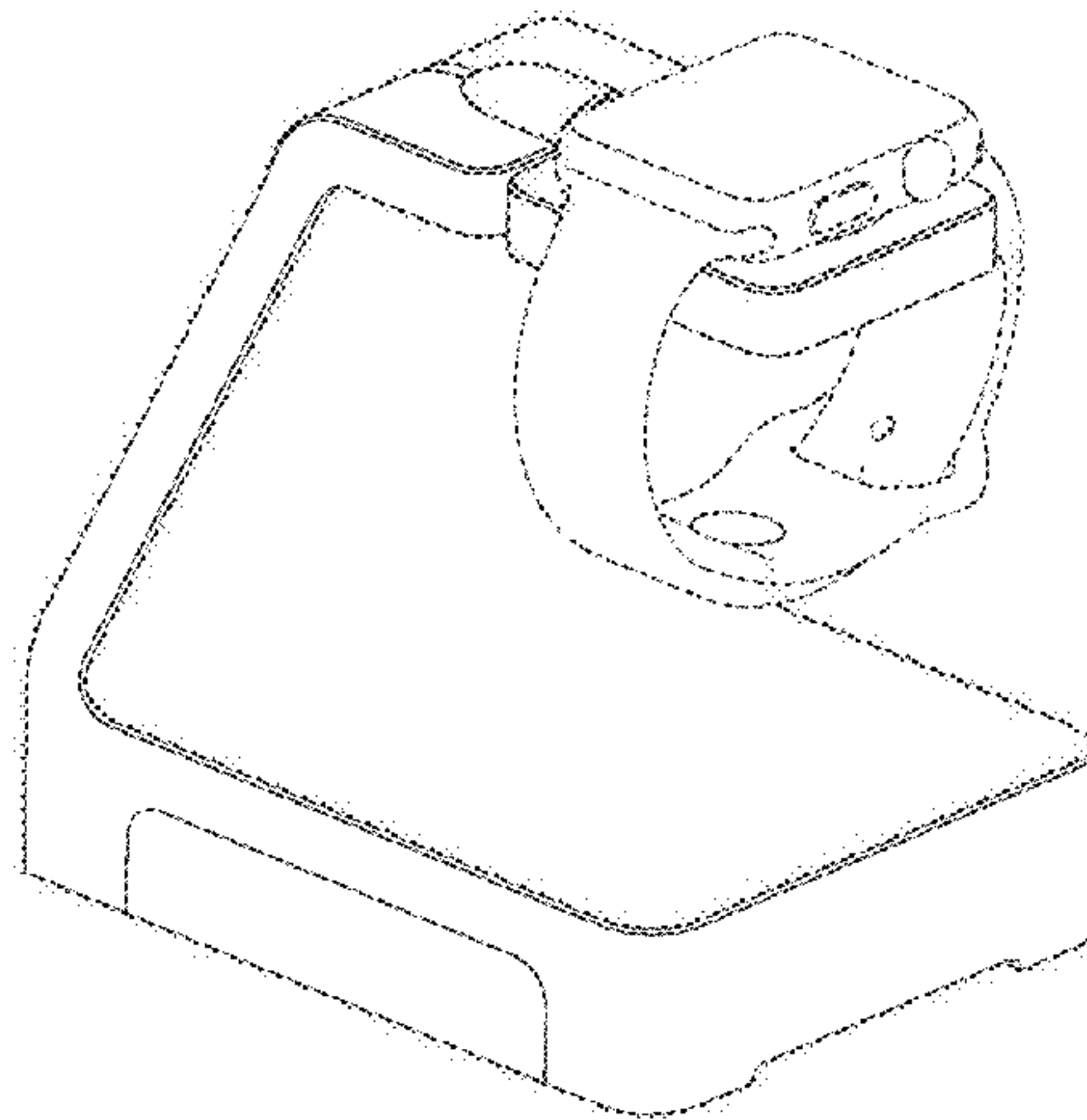
The ornamental design for an inductive charging station, as shown and described.

**DESCRIPTION**

FIG. 1 is a top perspective view showing my new design of an inductive charging station;  
FIG. 2 is a top perspective view of the inductive charging station of FIG. 1;  
FIG. 3 is a top view of the inductive charging station shown in FIG. 2;  
FIG. 4 is a side view of the inductive charging station shown in FIG. 2;  
FIG. 5 is a side view of the inductive charging station shown in FIG. 1;  
FIG. 6 is a top view of the inductive charging station shown in FIG. 1;  
FIG. 7 is a front view of the inductive charging station shown in FIG. 1;  
FIG. 8 is a front view of the inductive charging station shown in FIG. 2; and,  
FIG. 9 is a top view of the inductive charging station shown in FIG. 2.

The broken lines in the drawings are included for the purpose of illustrating environmental subject matter and form no part of the claimed design.

**1 Claim, 9 Drawing Sheets**



(56)

**References Cited**

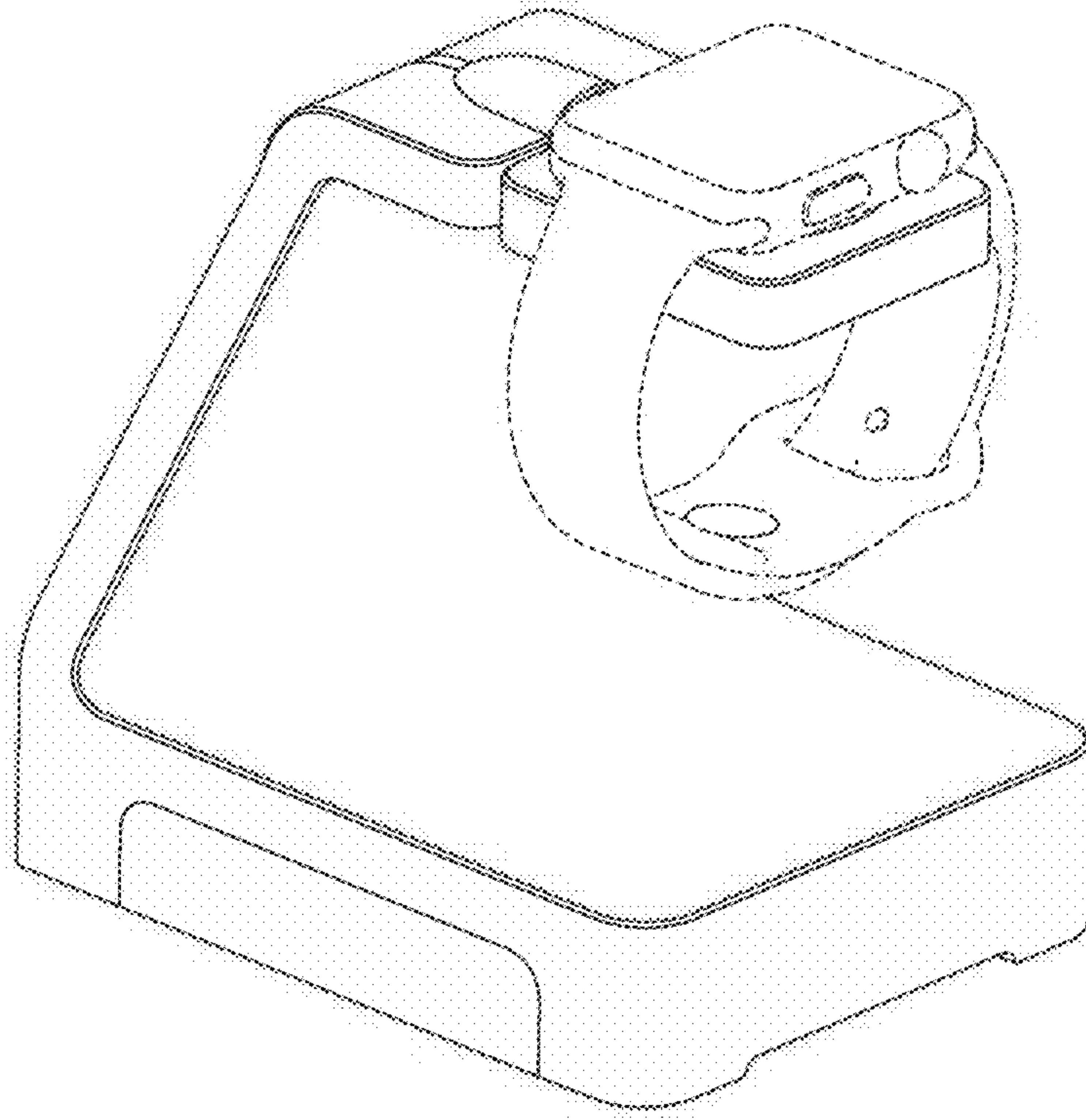
U.S. PATENT DOCUMENTS

2015/0131216 A1\* 5/2015 Huang ..... H02J 7/0045  
361/679.03

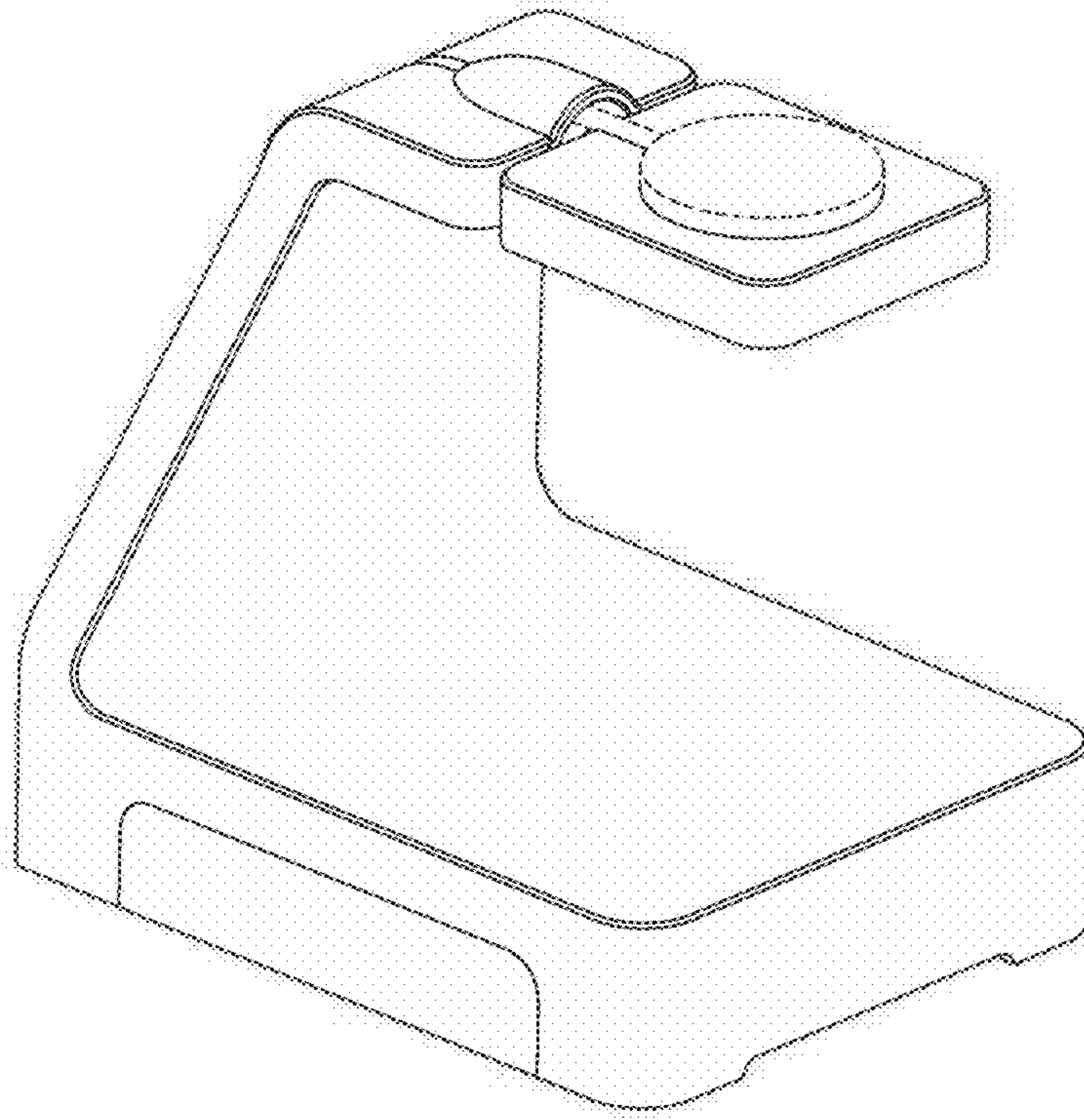
OTHER PUBLICATIONS

Prnewswire.com: Standzout Announces Bandstand Apple Watch Dock, published Jan. 5, 2015. Retrieved from the internet at <<http://www.prnewswire.com/news-releases/standzout-announces-bandstand-apple-watch-dock-300015625.html>>, Mar. 2, 2016. 7 pages.\*

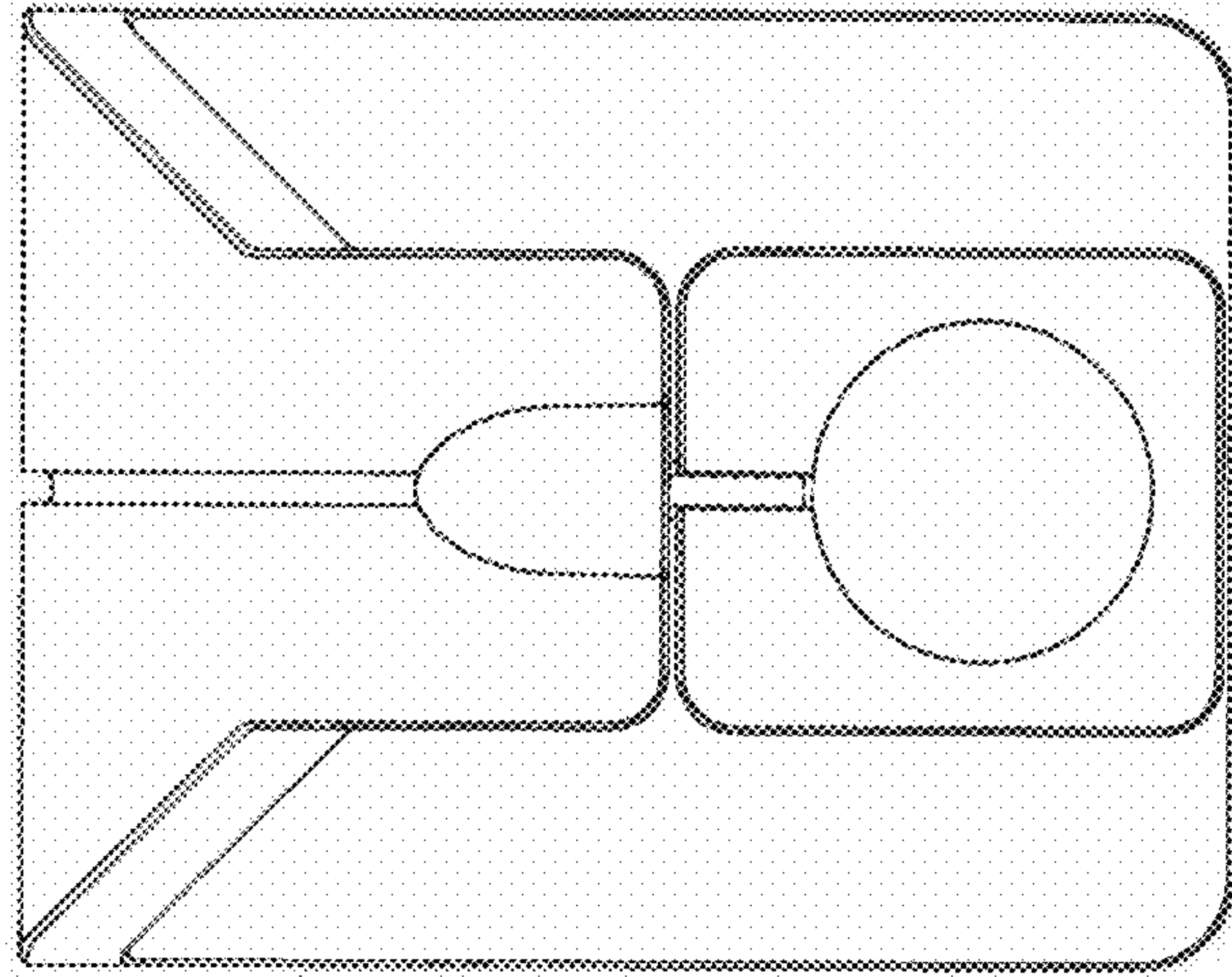
\* cited by examiner



**FIG. 1**



**FIG. 2**



**FIG. 3**

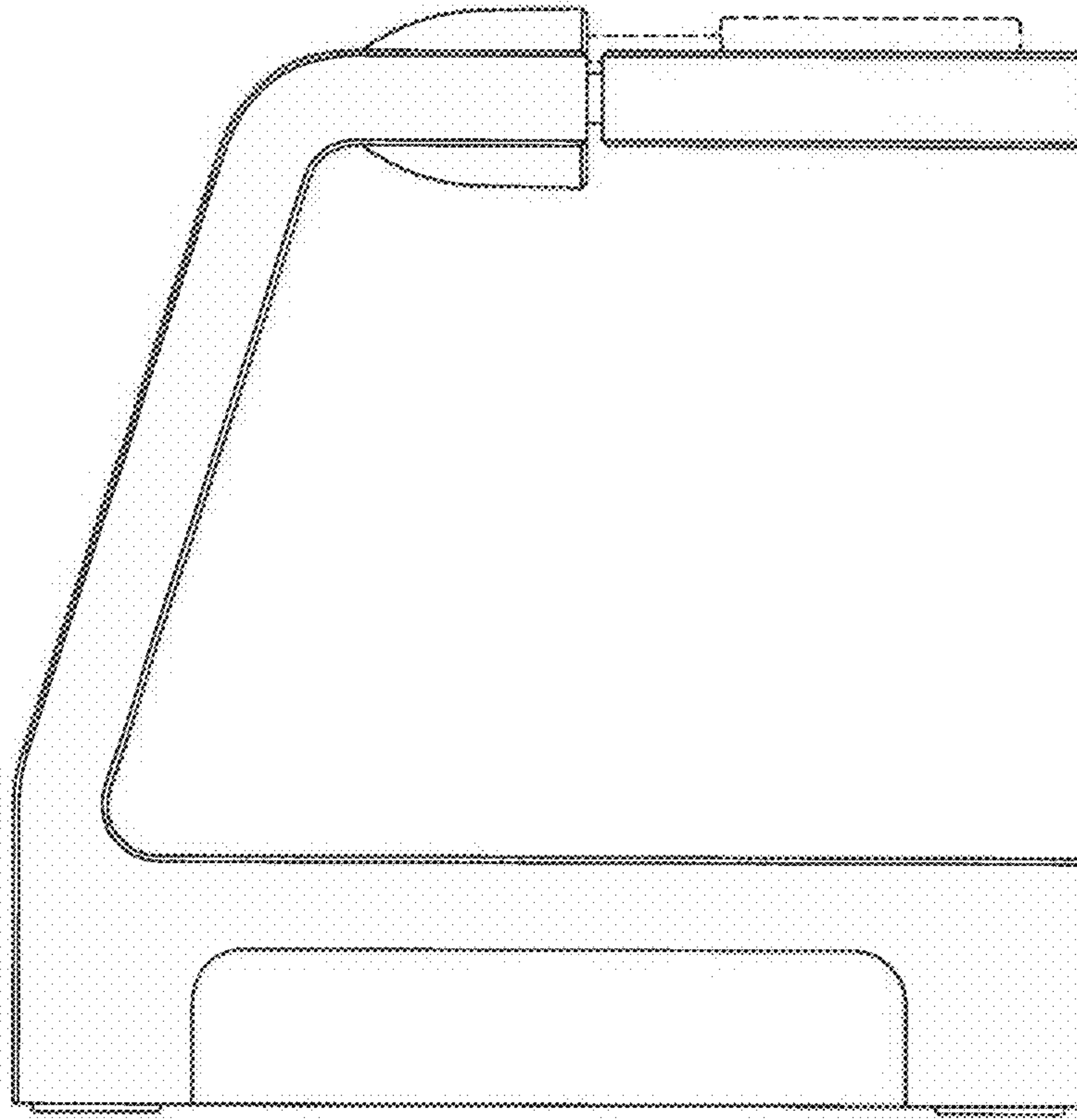


FIG. 4



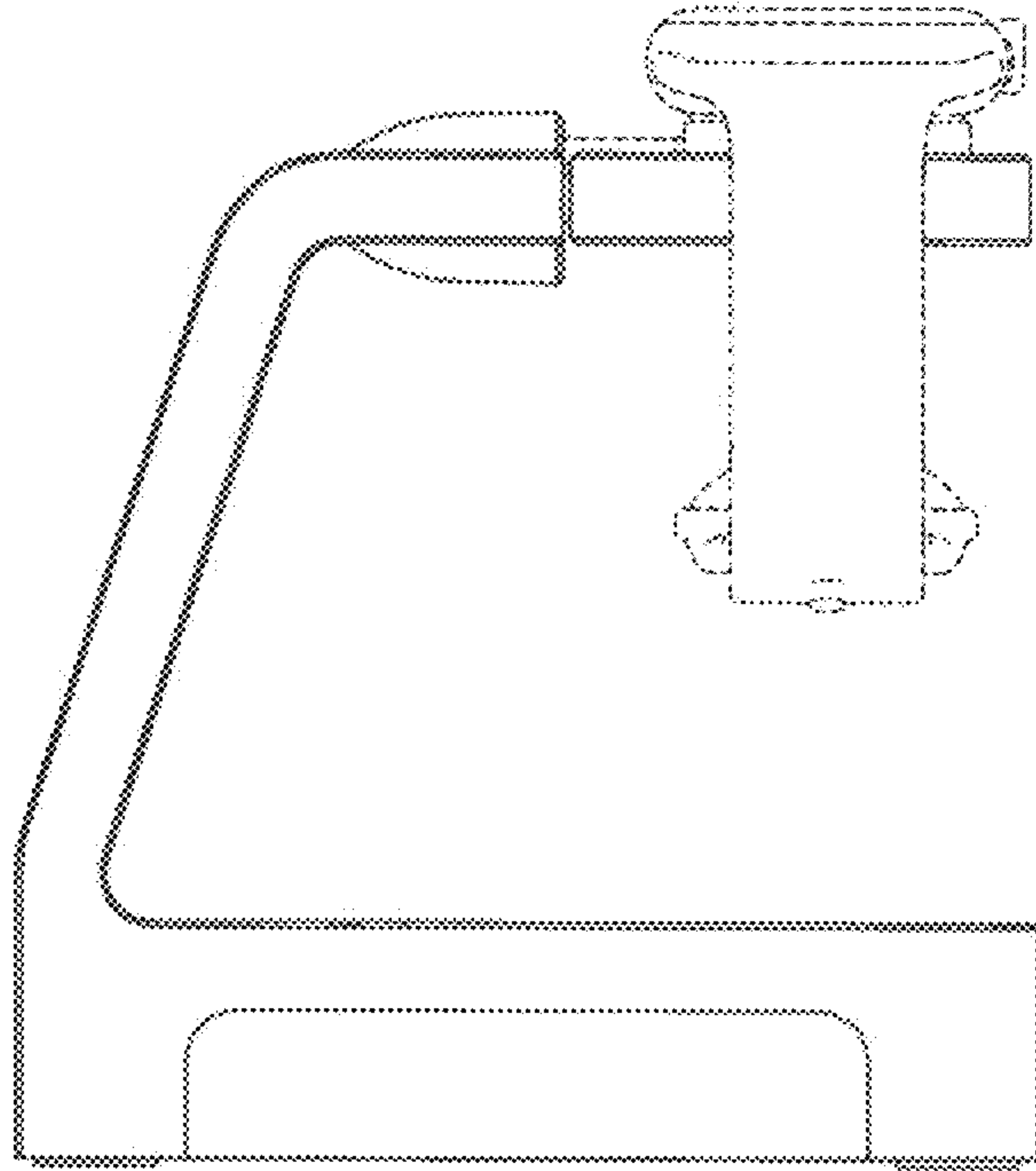


FIG. 5

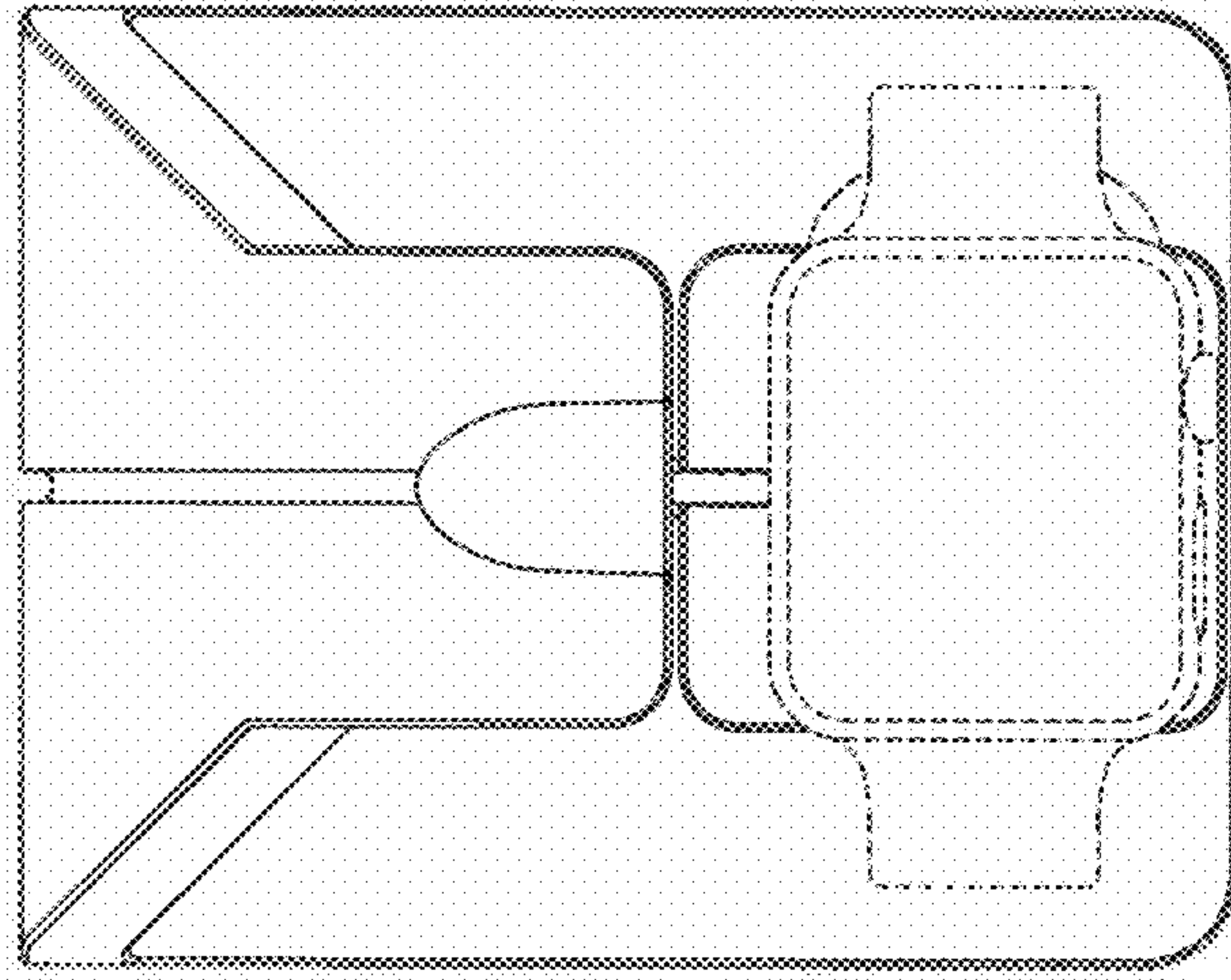


FIG. 6



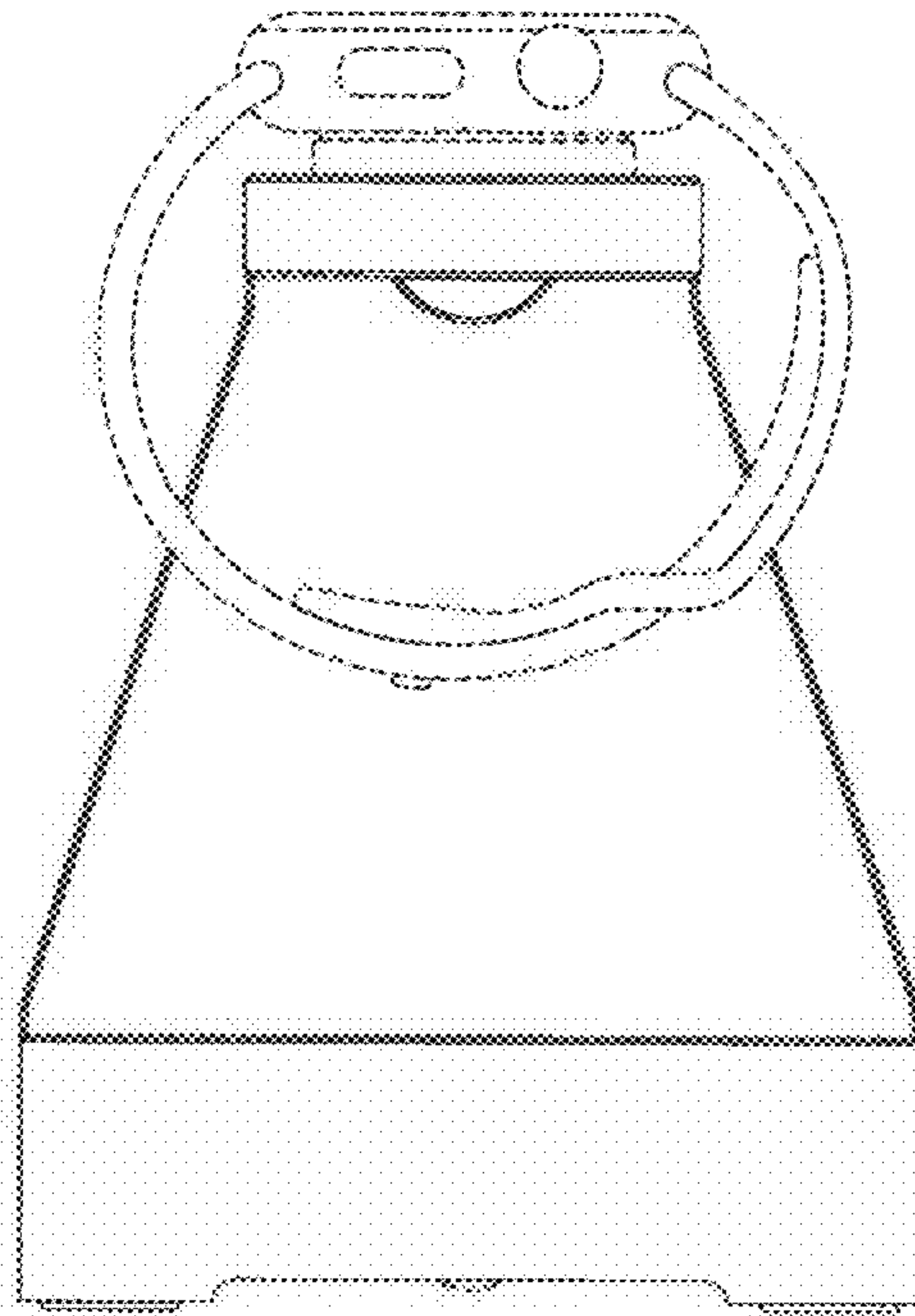
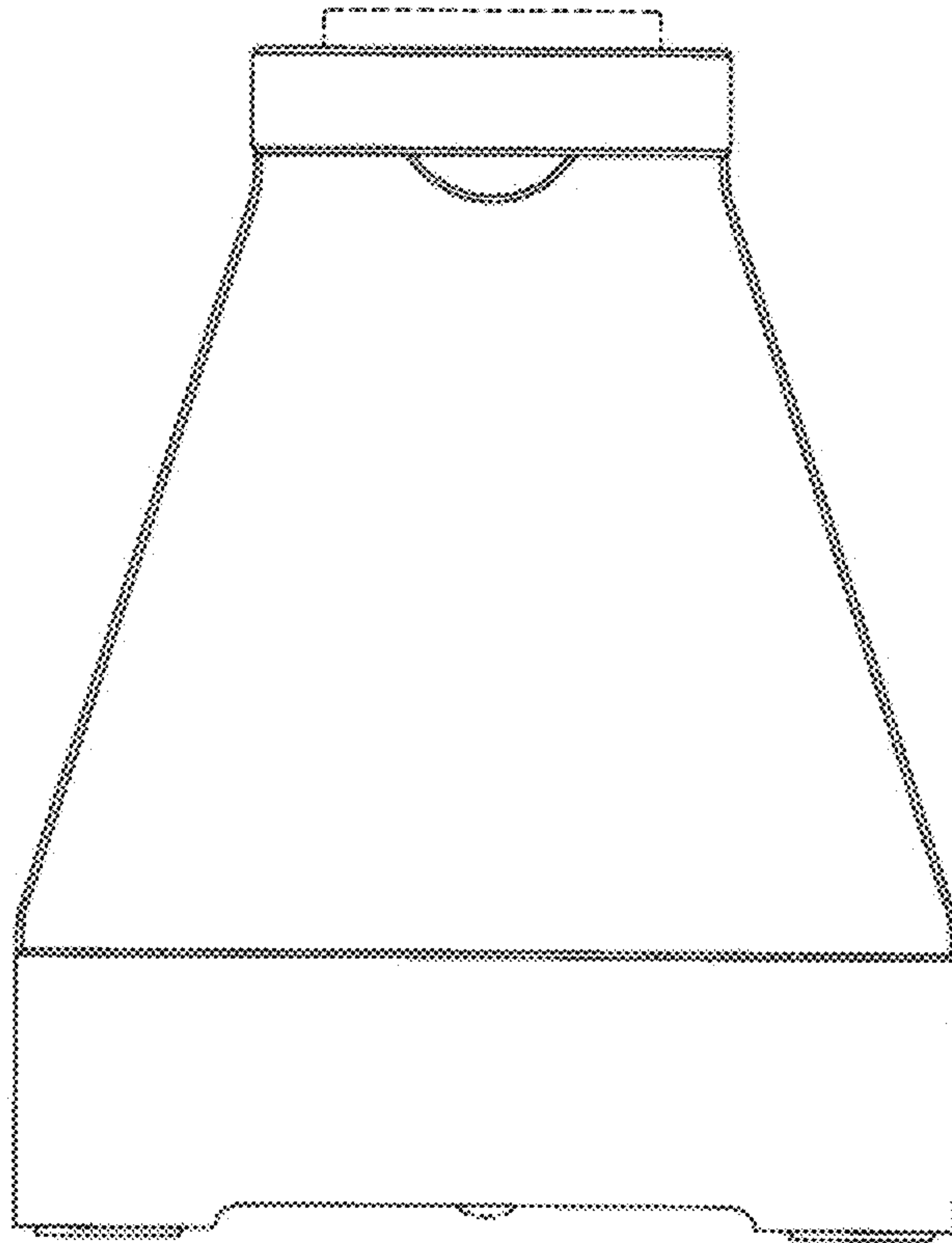


FIG. 7



**FIG. 8**

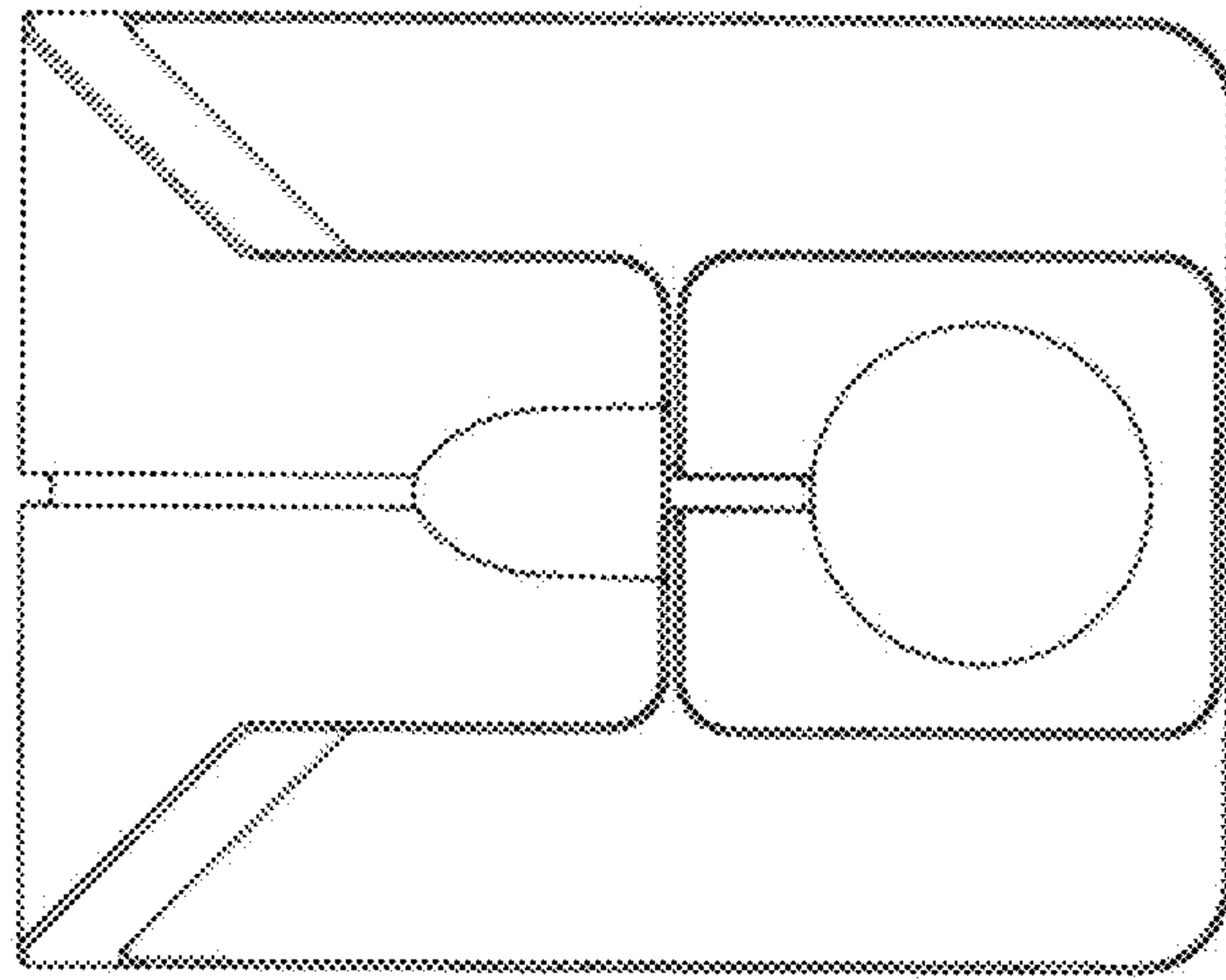


FIG. 9