



US00D776051S

(12) **United States Design Patent** (10) **Patent No.:** **US D776,051 S**
Wang (45) **Date of Patent:** **** Jan. 10, 2017**

(54) **ELECTRONIC CIGARETTE BATTERY**

(71) Applicant: **Yufei Wang**, Shenzhen (CN)

(72) Inventor: **Yufei Wang**, Shenzhen (CN)

(**) Term: **14 Years**

(21) Appl. No.: **29/517,481**

(22) Filed: **Feb. 13, 2015**

(51) **LOC (10) Cl.** **13-02**

(52) **U.S. Cl.**
USPC **D13/103; D27/101**

(58) **Field of Classification Search**
USPC D13/102-104, 110, 118-121, 184, 199;
429/96-100, 163, 176; D27/101, 183,
D27/193, 194
CPC Y02E 60/12; Y02E 60/122; Y02E 60/124;
Y02E 60/50; H01M 2/02; H01M 2/022;
H01M 2/0202; H01M 2/0207; H01M
2/0212; H01M 2/1061; H01M
2/1022; H01M 2/1055; H01M
2/1066; H01M 2/105; H01M 2/204;
H01M 10/4257; H01M 10/0436; H01M
10/48; A24F 47/00; A24F 47/002; A24F
47/004; A24F 47/008

See application file for complete search history.

(56) **References Cited**

U.S. PATENT DOCUMENTS

- 4,993,435 A * 2/1991 McCann A24F 13/00
131/175
- D433,532 S * 11/2000 Higgins D27/186
- D593,940 S * 6/2009 Nomi D13/103
- D622,213 S * 8/2010 Nomi D13/103
- D678,187 S * 3/2013 Huang D13/103
- D700,138 S * 2/2014 Walz D13/103
- D711,821 S * 8/2014 Wang D13/103
- D717,243 S * 11/2014 Liu D13/103

- D733,050 S * 6/2015 Chiang D13/103
- D733,651 S * 7/2015 Liu D13/108
- D741,794 S * 10/2015 Wright D13/103
- D753,336 S * 4/2016 Chen D27/101
- D761,999 S * 7/2016 Liu D27/101
- D765,594 S * 9/2016 Li D13/103
- 2010/0313901 A1 * 12/2010 Fernando A24F 47/008
131/330
- 2014/0202454 A1 * 7/2014 Buchberger A24F 47/008
128/200.14
- 2014/0217085 A1 * 8/2014 Alima F23Q 7/16
219/474
- 2014/0299491 A1 * 10/2014 Liu A24F 15/18
206/236

* cited by examiner

Primary Examiner — Rosemary K Tarca

(74) *Attorney, Agent, or Firm* — Novoclaims Patent Services LLC; Mei Lin Wong

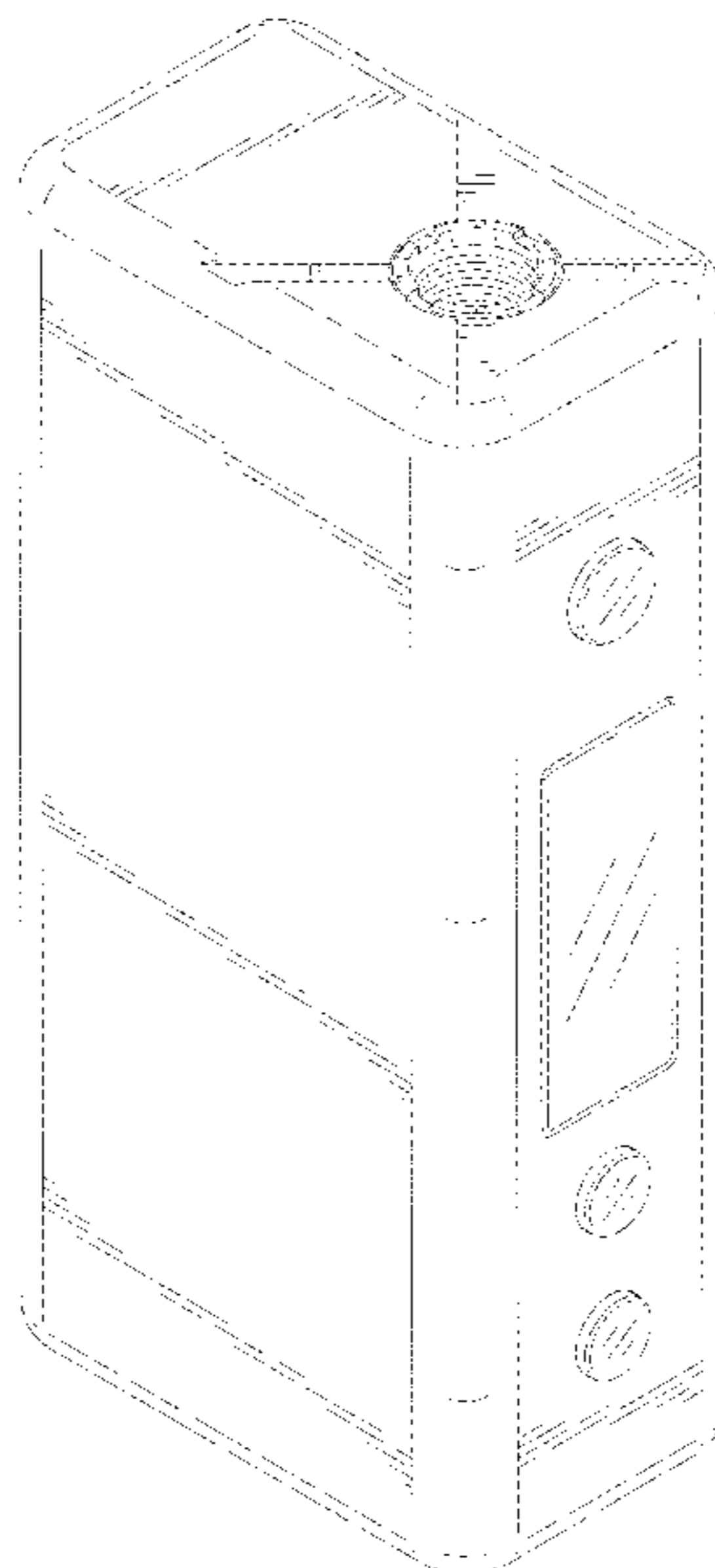
(57) **CLAIM**

The ornamental design for an electronic cigarette battery, as shown and described.

DESCRIPTION

FIG. 1 is a perspective view of an electronic cigarette battery in accordance with the present invention.
 FIG. 2 is another perspective view thereof.
 FIG. 3 is another perspective view thereof.
 FIG. 4 is a front view thereof.
 FIG. 5 is a rear view thereof.
 FIG. 6 is a left end view thereof.
 FIG. 7 is a right end view thereof.
 FIG. 8 is a top view thereof; and,
 FIG. 9 is a bottom view thereof.
 The broken lines shown in the drawings are included for the purpose of illustrating unclaimed portions of the electronic cigarette battery, and form no part of the claimed design.

1 Claim, 9 Drawing Sheets



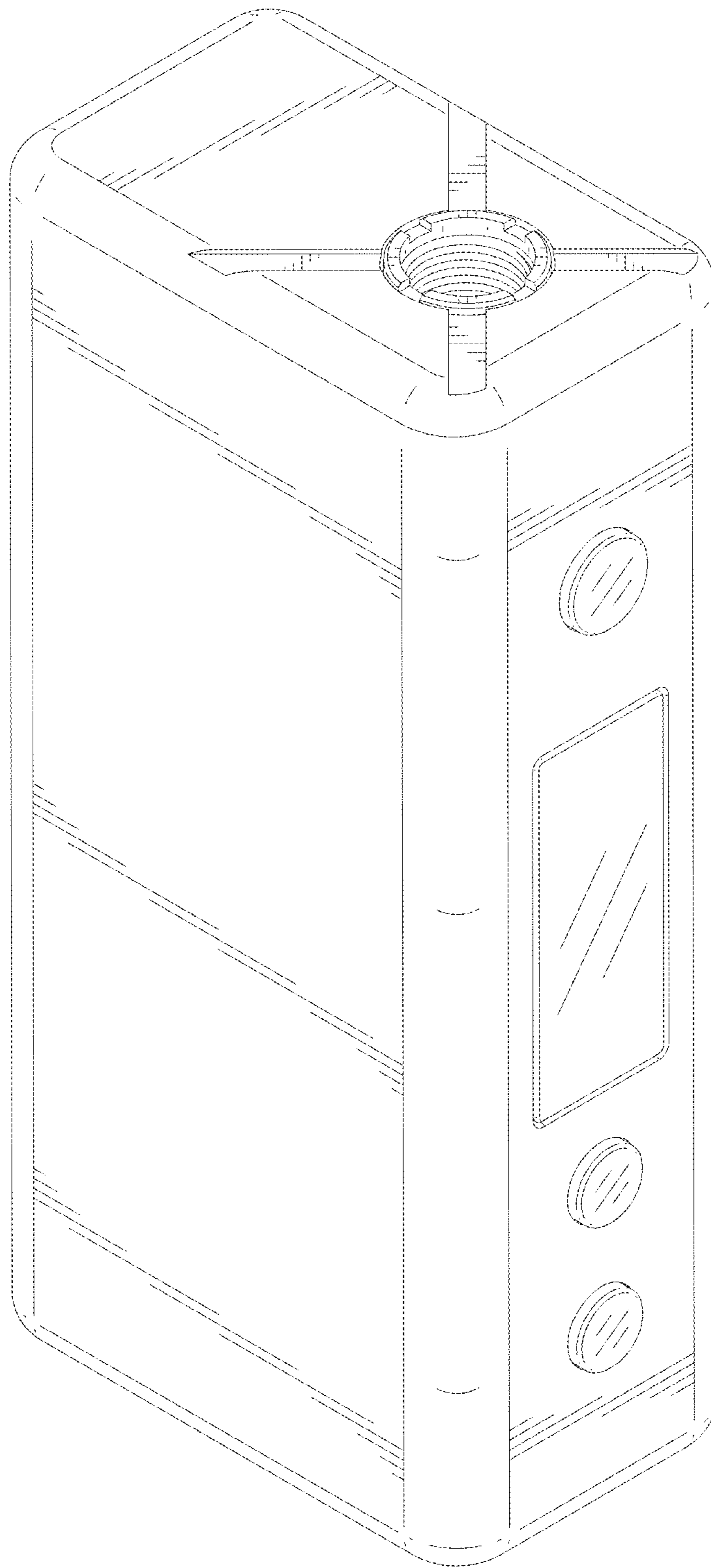


FIG.1

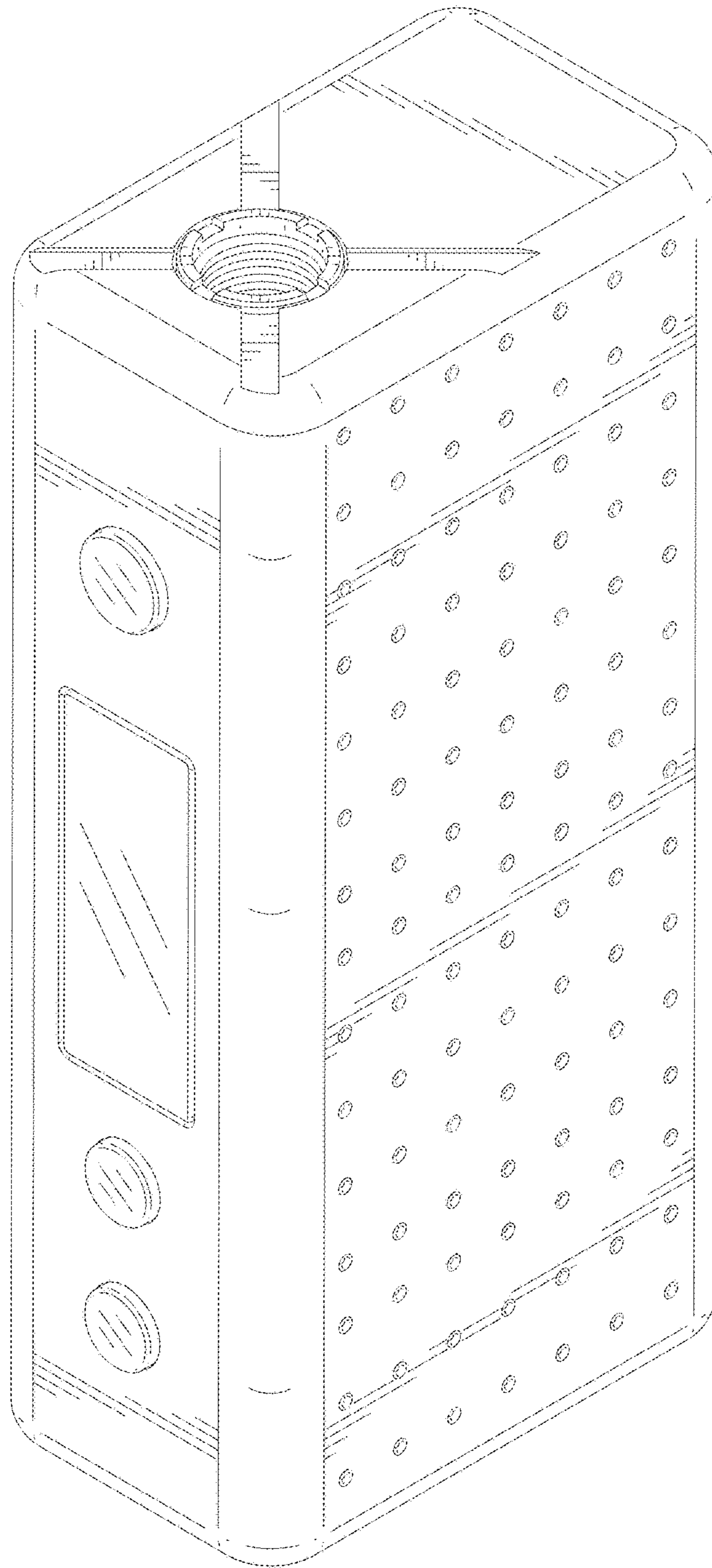


FIG.2

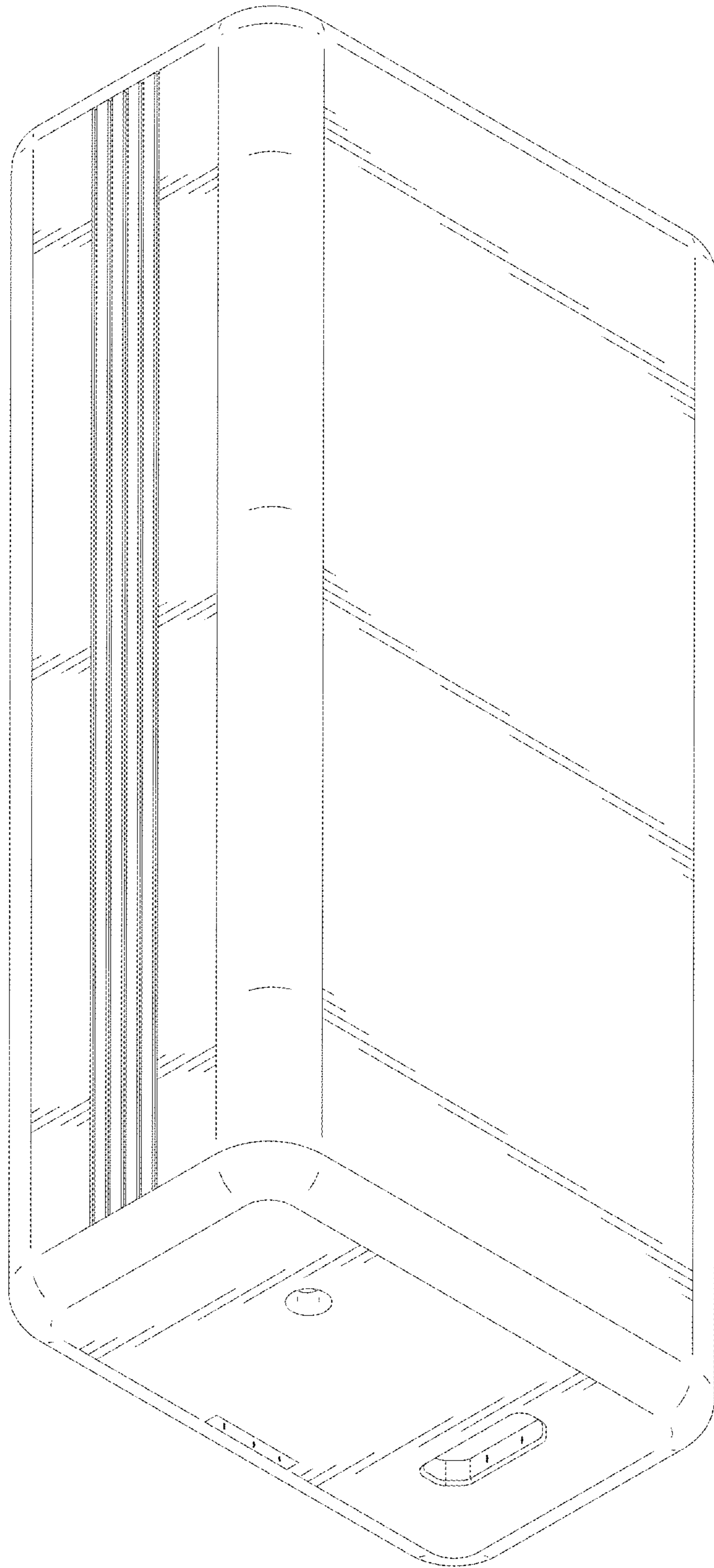


FIG.3

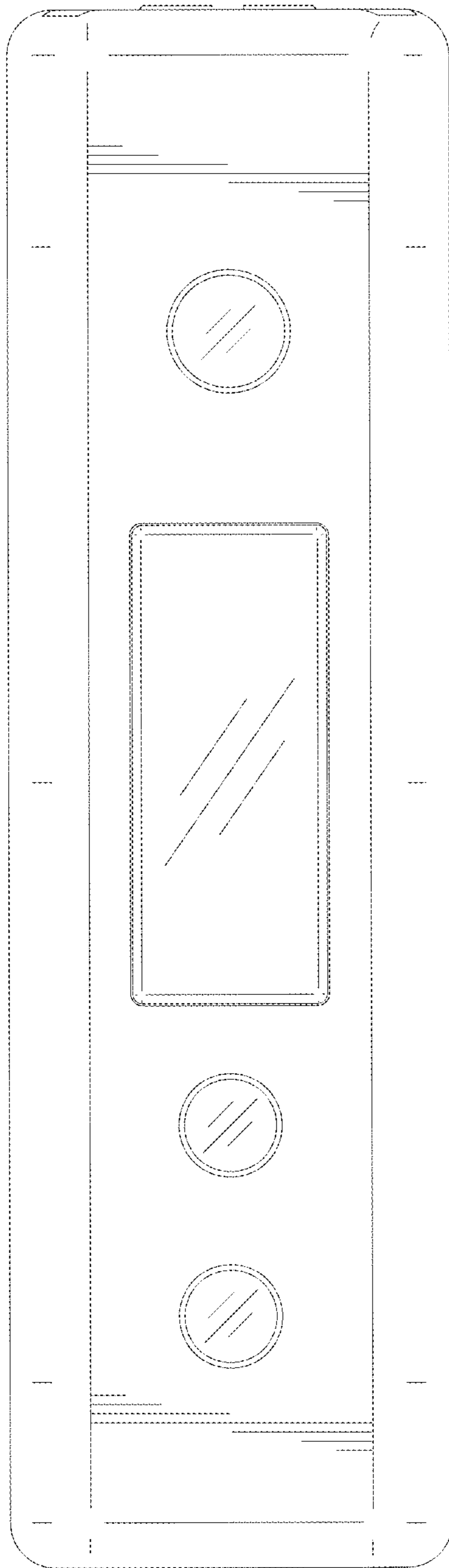


FIG.4

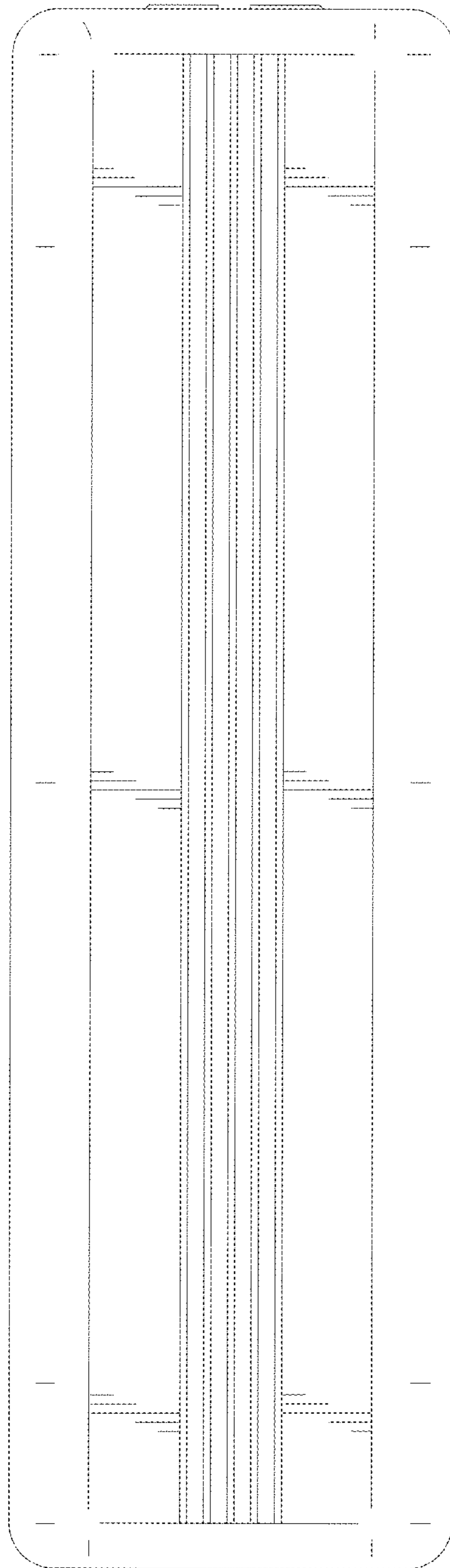


FIG.5

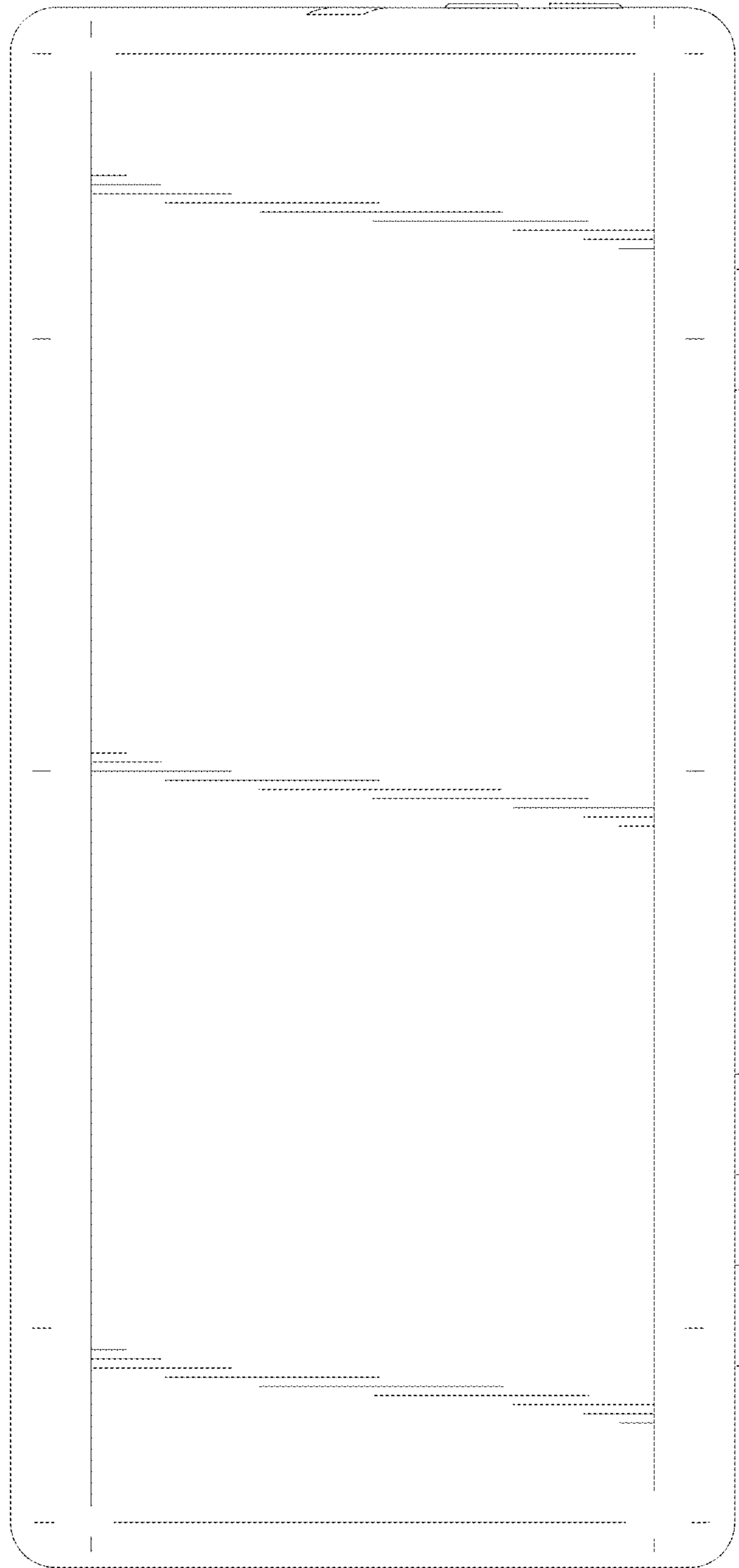


FIG.6

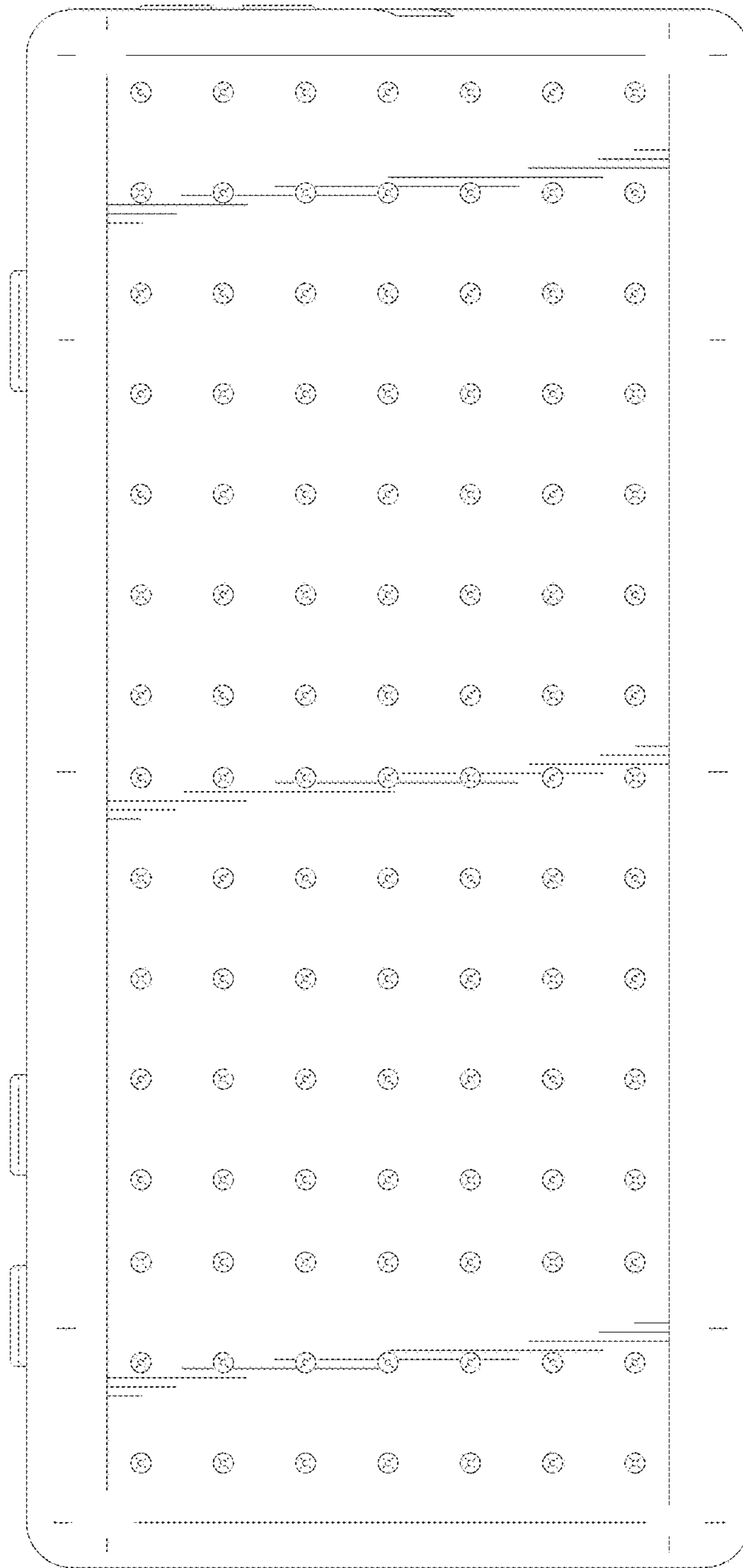


FIG.7

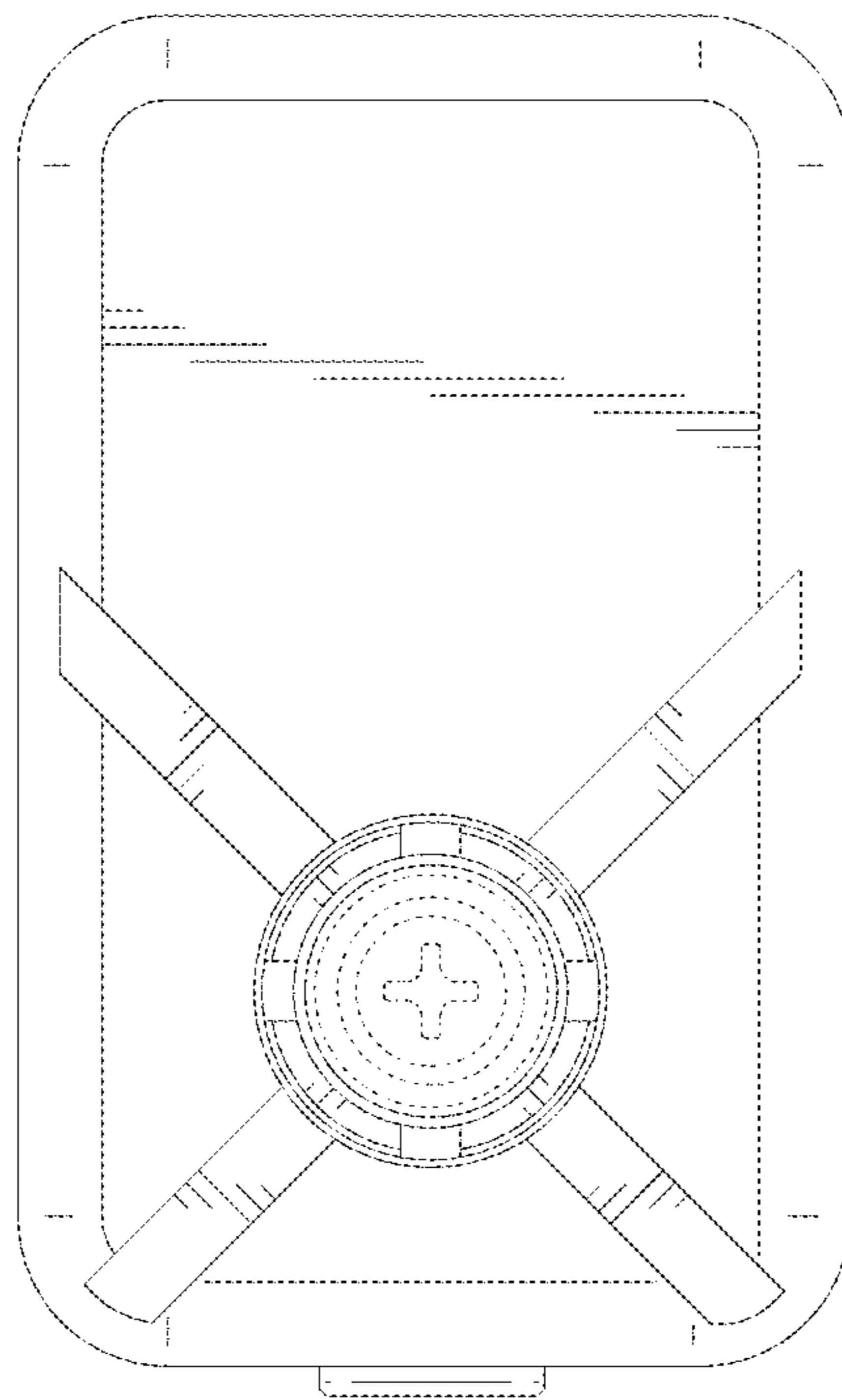


FIG. 8

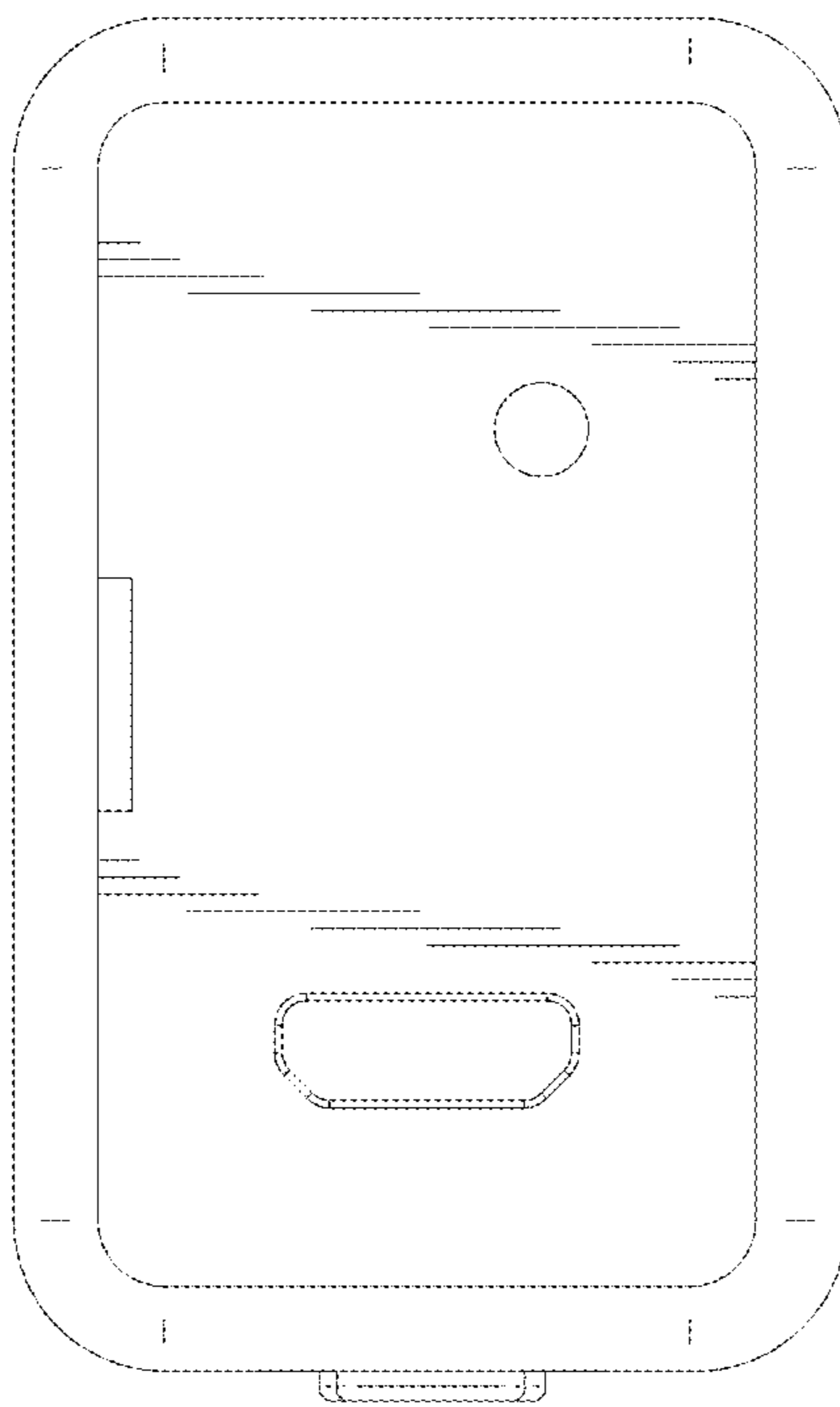


FIG.9