



US00D776043S

(12) **United States Design Patent**
Ding et al.

(10) **Patent No.:** **US D776,043 S**
(45) **Date of Patent:** **** Jan. 10, 2017**

(54) **TIRE TREAD**

D701,487 S * 3/2014 Ebel D12/588
D724,010 S * 3/2015 Lim D12/584
D732,466 S * 6/2015 Ma D12/590

(71) Applicant: **Aeolus Tyre Co., Ltd.**, Jiaozuo (CN)

(72) Inventors: **Guocai Ding**, Jiaozuo (CN); **Aiping Zhang**, Jiaozuo (CN); **Ke Peng**, Jiaozuo (CN); **Qing Wang**, Jiaozuo (CN); **Xiaochen Liu**, Jiaozuo (CN)

(73) Assignee: **Aeolus Tyre Co., Ltd.**, Jiaozuo (CN)

(**) Term: **14 Years**

(21) Appl. No.: **29/494,446**

(22) Filed: **Jun. 20, 2014**

(30) **Foreign Application Priority Data**

Dec. 20, 2013 (CN) 2013 3 0635120

(51) **LOC (10) Cl.** **12-15**

(52) **U.S. Cl.**
USPC **D12/588**; D12/584

(58) **Field of Classification Search**
USPC D12/500-568, 580-604, 900
CPC B60C 1/0016; B60C 11/0306; B60C 11/0302; B60C 3/06; B60C 9/17
See application file for complete search history.

(56) **References Cited**

U.S. PATENT DOCUMENTS

D402,942 S * 12/1998 Custons, Jr. D12/585
D415,451 S * 10/1999 Weber D12/586
D472,517 S * 4/2003 Hutz D12/590
D472,518 S * 4/2003 McKisson D12/590
D502,682 S * 3/2005 Hildebrand D12/588
D553,559 S * 10/2007 Irie D12/601

OTHER PUBLICATIONS

Aeolus Touring Ace AGO3 Tire found online [Feb. 17, 2016]
<http://www.aeolustireamerica.com/products/touring-tire-ag03>.*

* cited by examiner

Primary Examiner — Robert M Spear

Assistant Examiner — John Voytek

(74) *Attorney, Agent, or Firm* — Schwegman Lundberg & Woessner, P.A.

(57) **CLAIM**

The ornamental design for a tire tread, as shown and described.

DESCRIPTION

FIG. 1 is a front perspective view of a tire tread showing our new design;

FIG. 2 is a front elevational view thereof;

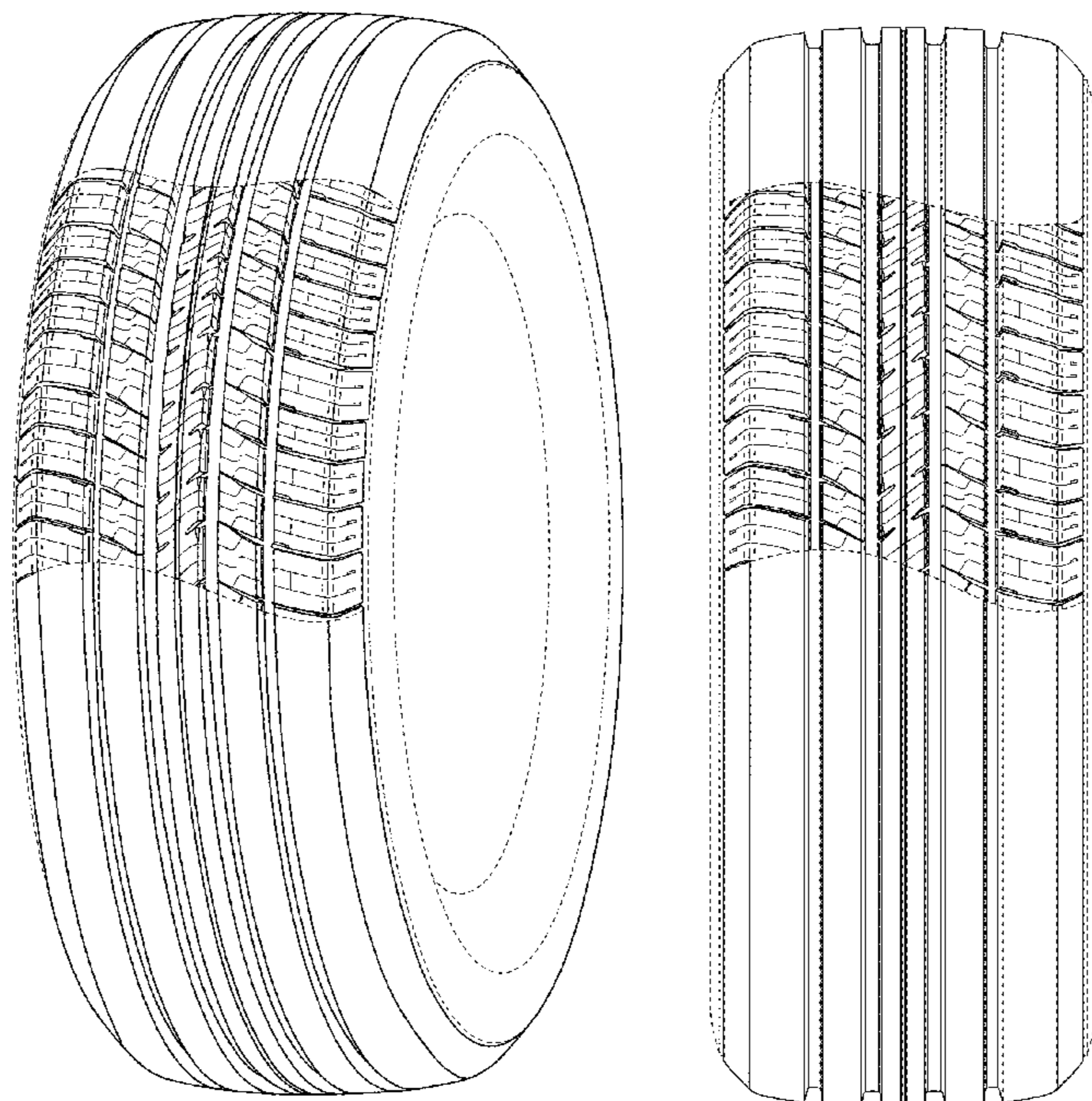
FIG. 3 is a side elevational view thereof; and,

FIG. 4 is an enlarged front perspective view thereof.

The tread pattern is understood to repeat uniformly throughout the circumference of the tire, as shown schematically in solid lines.

The broken lines shown are included for the purpose of illustrating the unclaimed portions of the article and form no part of the claimed design.

1 Claim, 4 Drawing Sheets



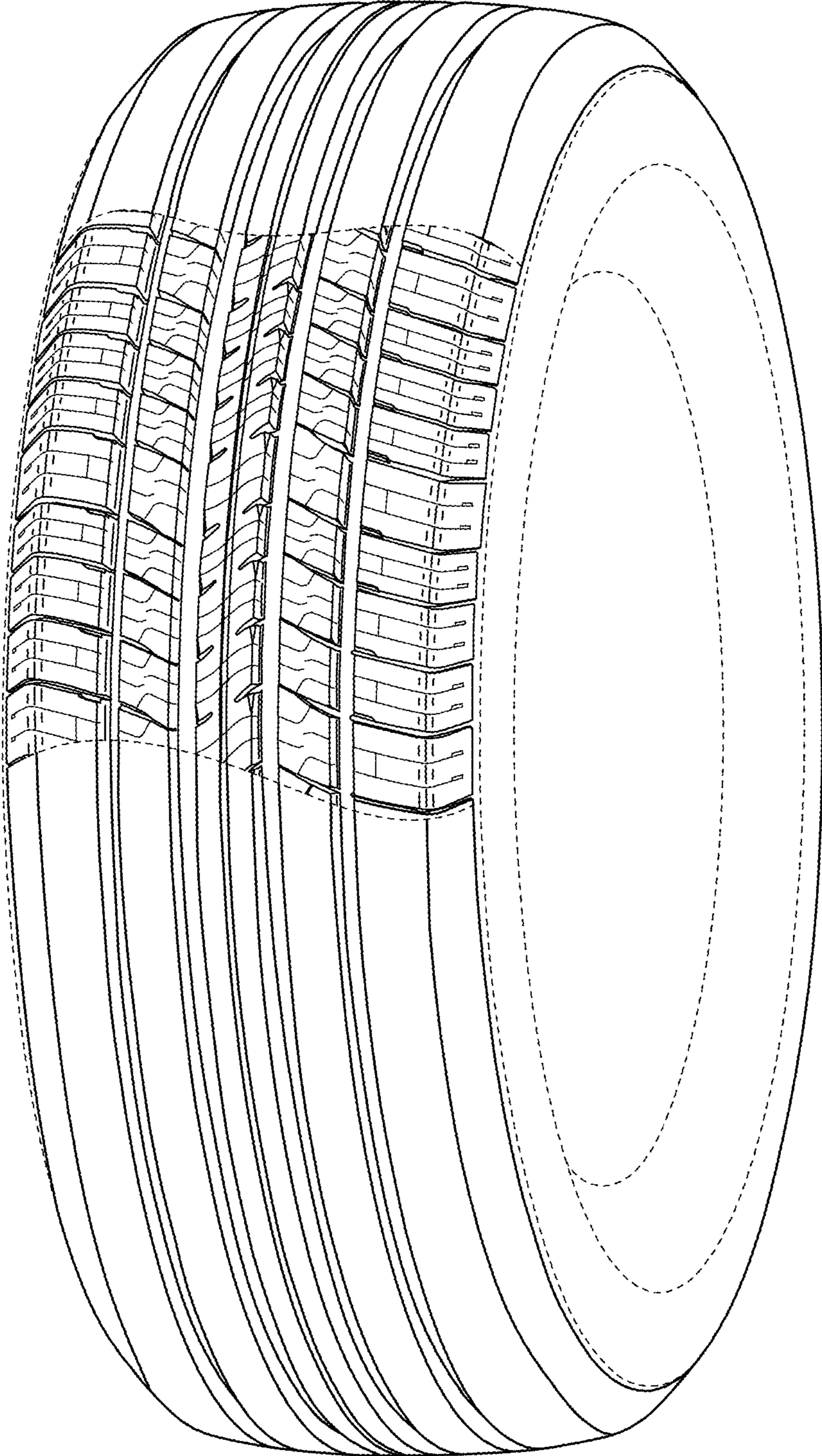


FIG. 1

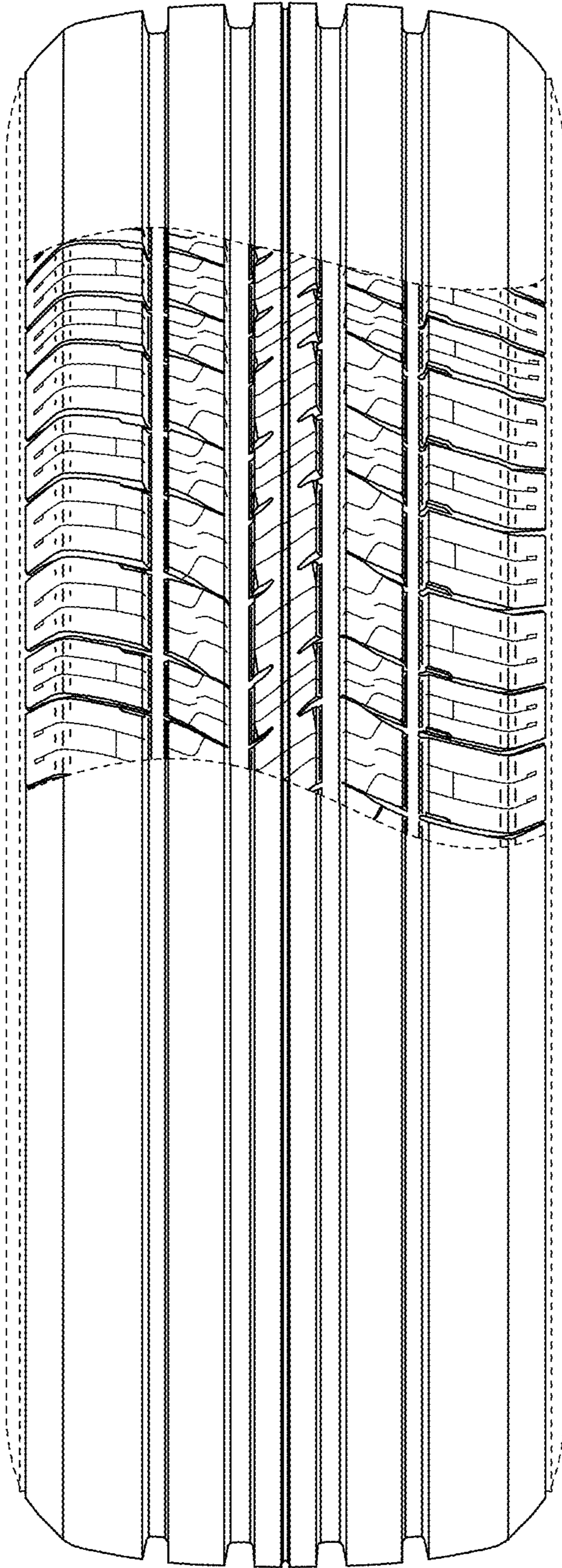


FIG. 2

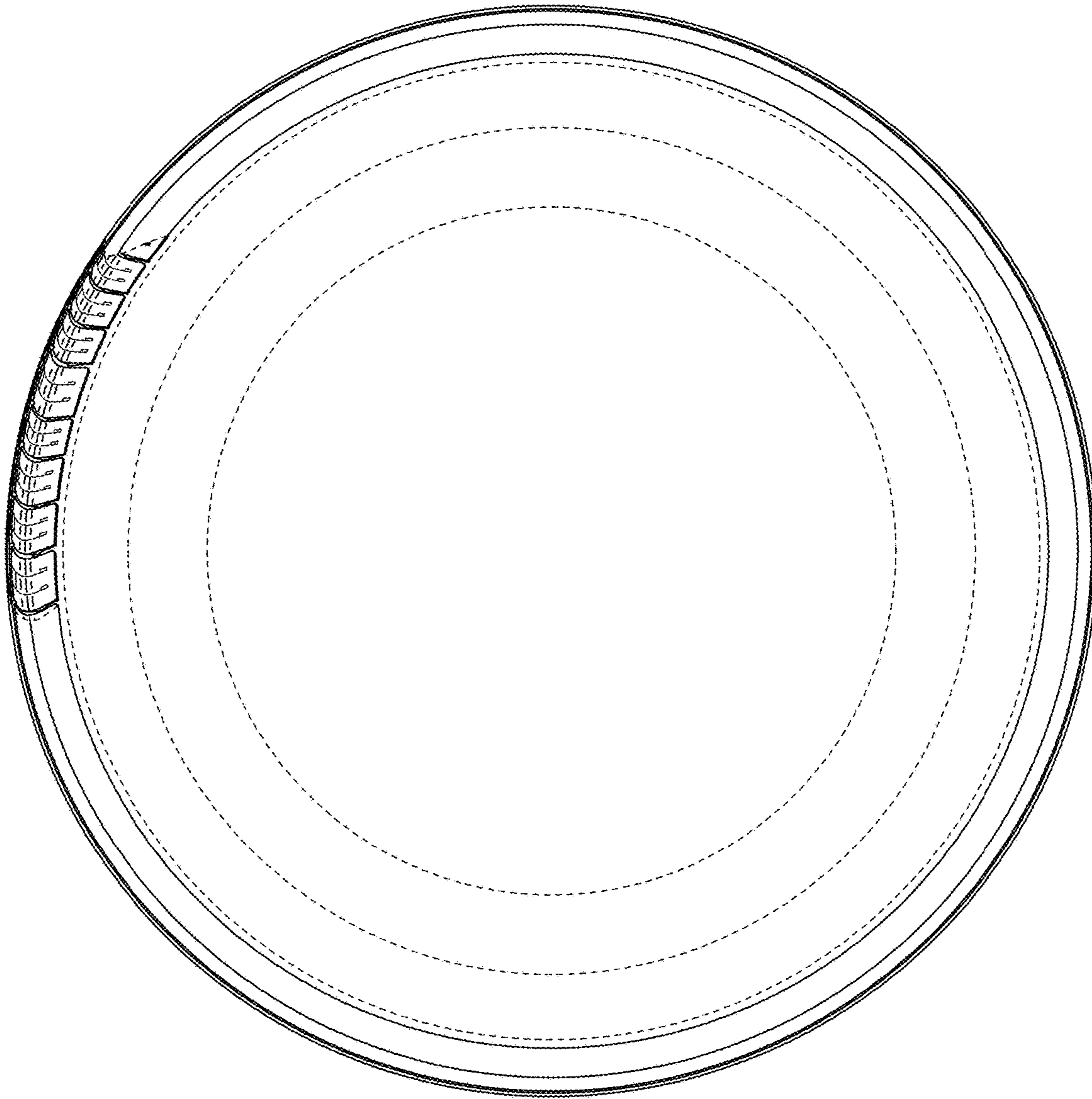


FIG. 3

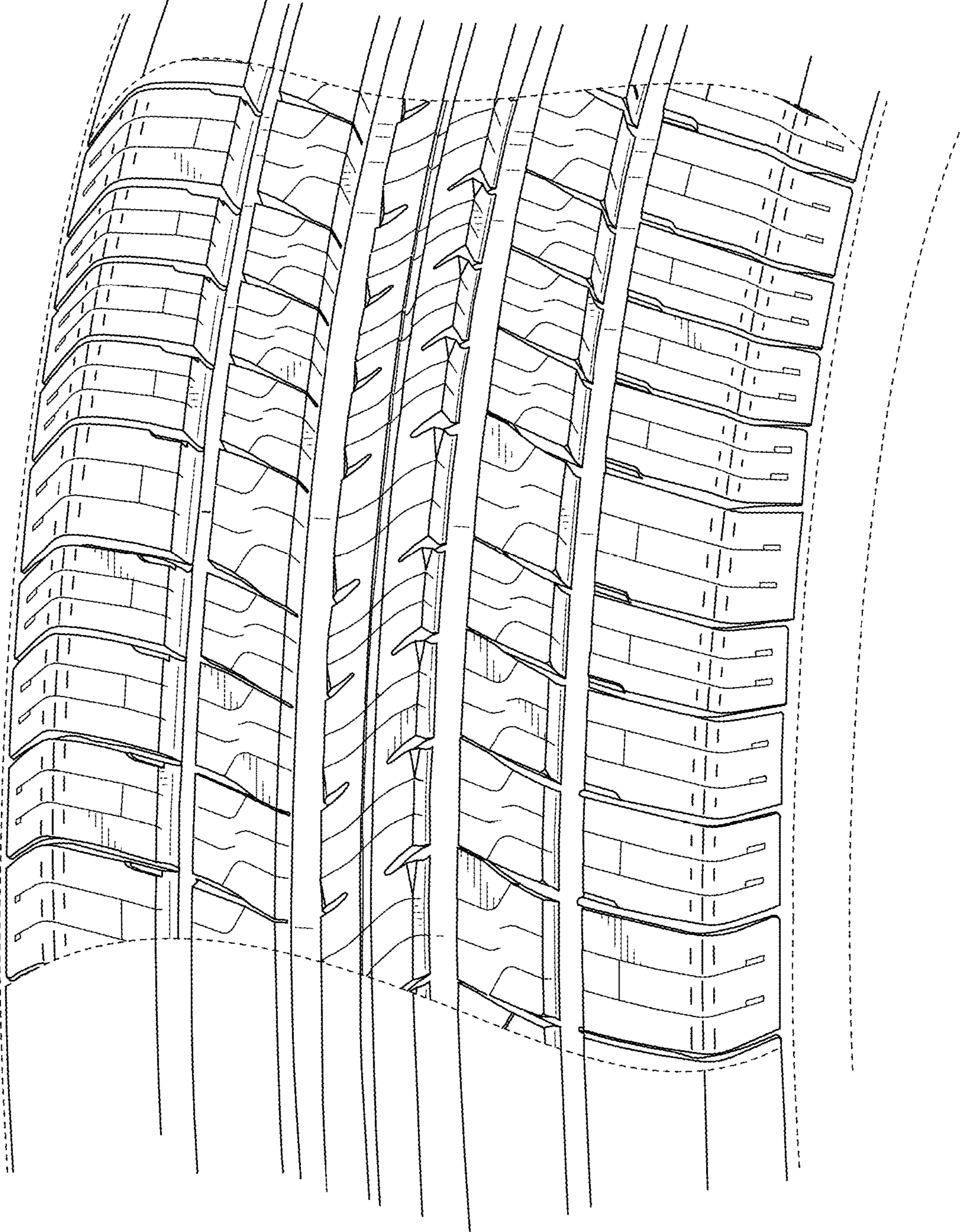


FIG. 4

UNITED STATES PATENT AND TRADEMARK OFFICE
CERTIFICATE OF CORRECTION

PATENT NO. : D776,043 S
APPLICATION NO. : 29/494446
DATED : January 10, 2017
INVENTOR(S) : Ding et al.

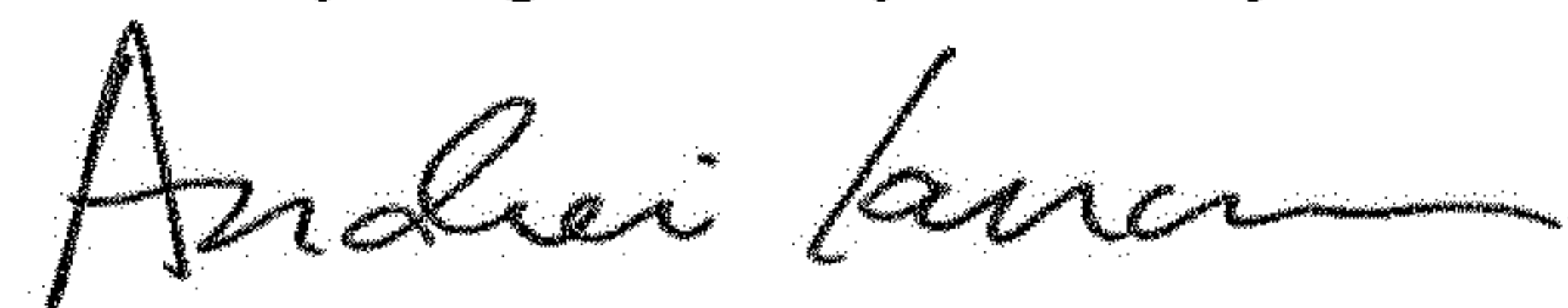
Page 1 of 1

It is certified that error appears in the above-identified patent and that said Letters Patent is hereby corrected as shown below:

On the Title Page

In item (30), in "Foreign Application Priority Data", in Column 1, Line 1, delete "2013 3 0635120"
and insert --201330635120.5-- therefor

Signed and Sealed this
Twenty-eighth Day of May, 2019



Andrei Iancu
Director of the United States Patent and Trademark Office