



US00D776040S

(12) **United States Design Patent**
Zhao

(10) **Patent No.:** **US D776,040 S**

(45) **Date of Patent:** **** Jan. 10, 2017**

- (54) **AUTOMOBILE WHEEL**
- (71) Applicant: **WAH HUNG GROUP INC.**, Monterey Park, CA (US)
- (72) Inventor: **John Zhao**, Monterey Park, CA (US)
- (73) Assignee: **Wah Hung Group Inc.**, Monterey Park, CA (US)
- (**) Term: **15 Years**
- (21) Appl. No.: **29/532,253**
- (22) Filed: **Jul. 2, 2015**
- (51) **LOC (10) Cl.** **12-16**
- (52) **U.S. Cl.**
USPC **D12/211**
- (58) **Field of Classification Search**
USPC D12/204–213
CPC B60B 7/00; B60B 7/02; B60B 7/04;
B60B 7/01; B60B 7/06; B60B 3/02; B60B 3/04;
B60B 3/06; B60B 3/10; B60B 1/00;
B60B 1/08; B60B 1/10; B60B 1/12
See application file for complete search history.

D706,196 S *	6/2014	Lee	D12/211
D726,621 S	4/2015	Alfonso	
D751,481 S *	3/2016	Chung	D12/209
D751,966 S *	3/2016	Zhao	D12/211
D758,947 S *	6/2016	Zhao	D12/211

OTHER PUBLICATIONS

Search Results for IN/ernie and IN/alfonso on Dec. 21, 2014.
 Search results of IN/john and TTL/wheel and IN/zhaio on Dec. 19, 2014.
 U.S. Appl. No. 29/508,262, Ernie Alfonso, filed Nov. 4, 2014.
 U.S. Appl. No. 29/508,266, Ernie Alfonso, filed Nov. 4, 2014.
 U.S. Appl. No. 29/508,268, Ernie Alfonso, filed Nov. 4, 2014.
 U.S. Appl. No. 29/508,269, Ernie Alfonso, filed Nov. 4, 2014.
 U.S. Appl. No. 29/508,270, Ernie Alfonso, filed Nov. 4, 2014.
 U.S. Appl. No. 29/508,271, Ernie Alfonso, filed Nov. 4, 2014.

* cited by examiner

Primary Examiner — Stacia Cadmus

(74) *Attorney, Agent, or Firm* — Payam Moradian

(57) **CLAIM**

I claim the ornamental design for an automobile wheel, as shown and described.

(56) **References Cited**

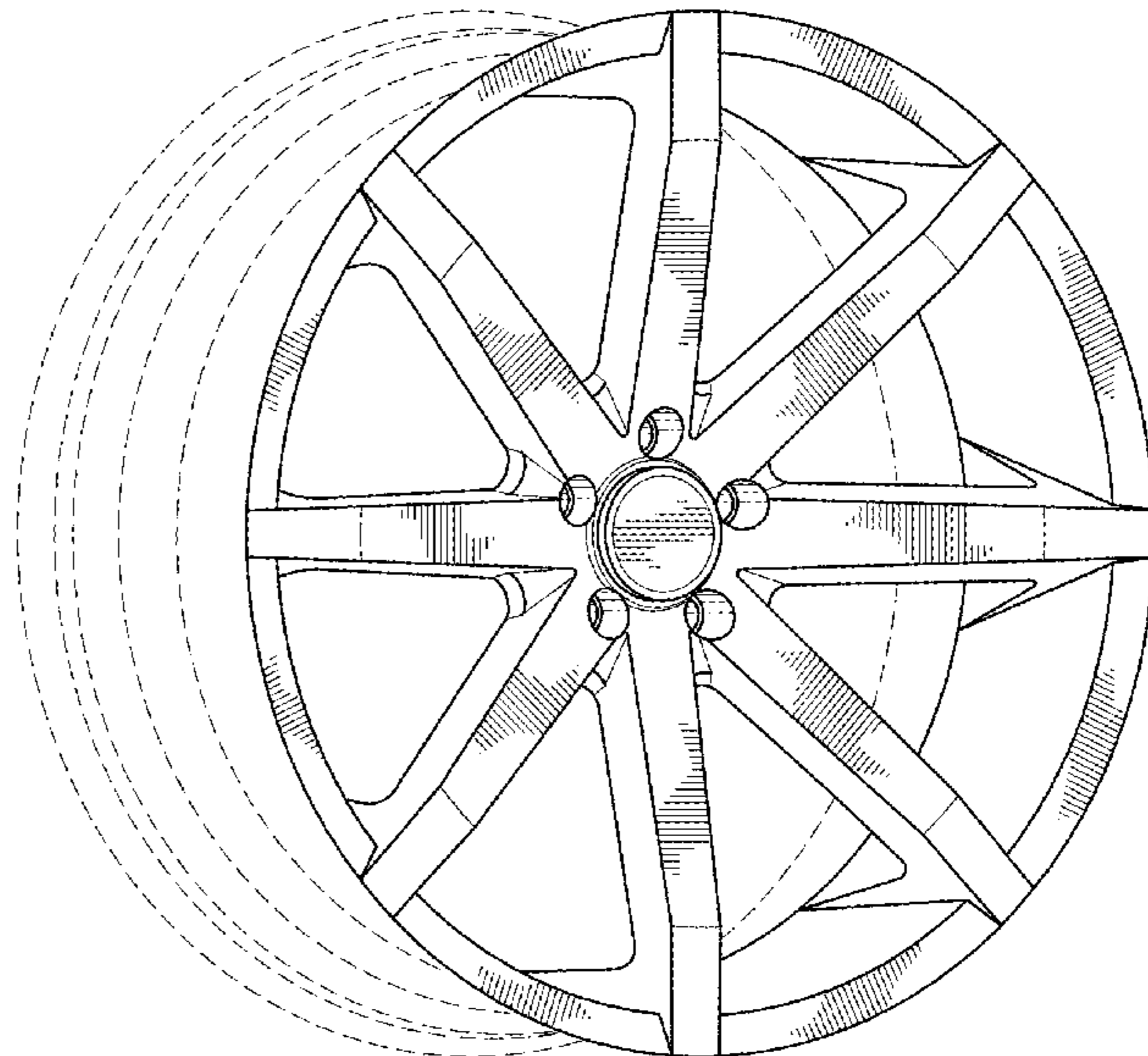
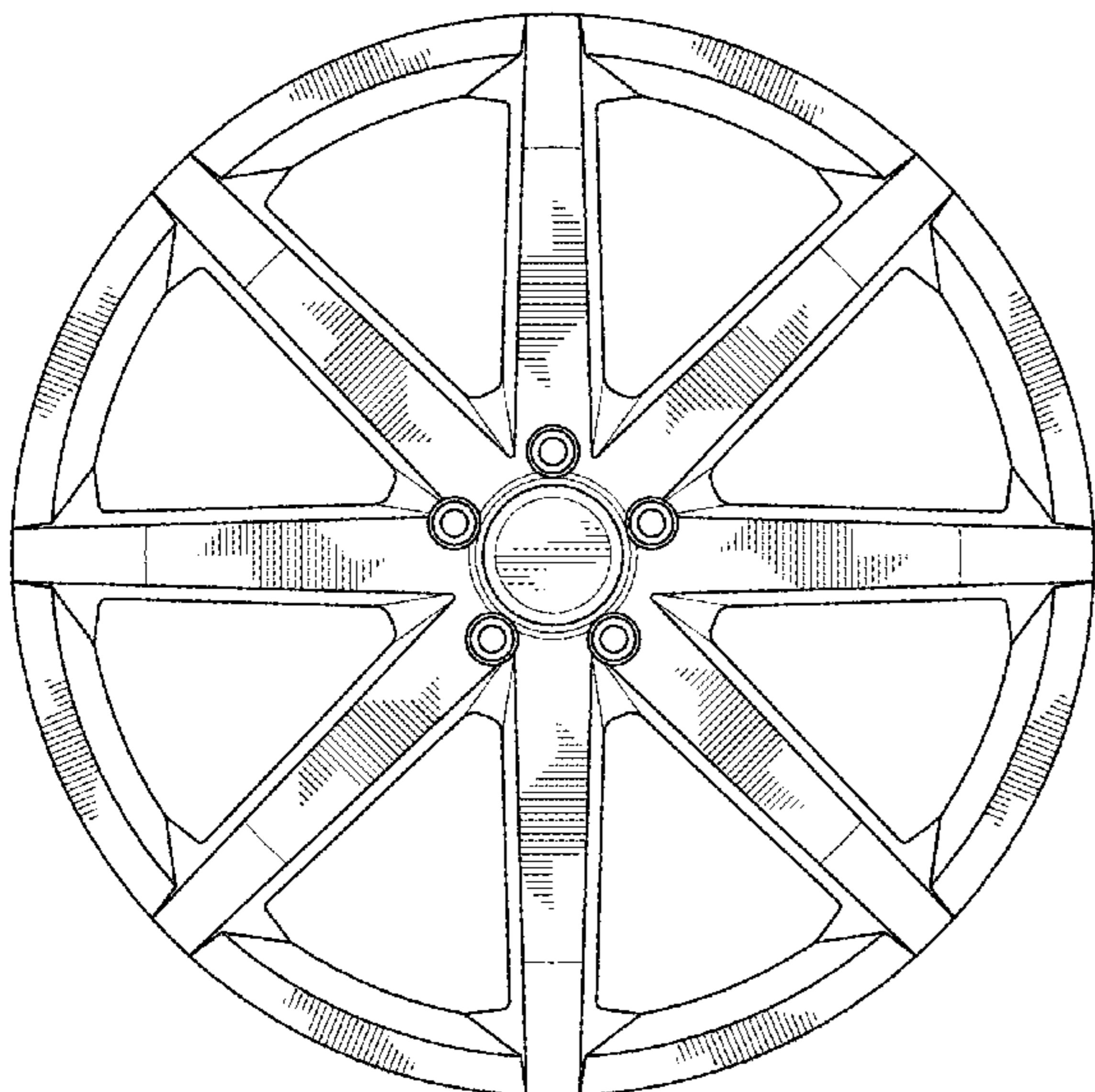
U.S. PATENT DOCUMENTS

D456,332 S *	4/2002	Vian	D12/211
D482,996 S *	12/2003	Sulahian	D12/211
D505,905 S *	6/2005	Walbey, Jr.	D12/209
D514,051 S *	1/2006	Sands	D12/211
D543,922 S *	6/2007	Young	D12/209
D548,167 S *	8/2007	Groom	D12/211
D582,830 S *	12/2008	Musser	D12/211
D660,220 S *	5/2012	Chan	D12/211
D691,542 S *	10/2013	Chan	D12/209
D699,173 S *	2/2014	Zhao	D12/211

DESCRIPTION

FIG. 1 is a front elevational view of an automobile wheel; and,
 FIG. 2 is a perspective view thereof.
 The broken line showing of the rear portion of the wheel is included for the purpose of illustrating environment and forms no part of the claimed design.

1 Claim, 2 Drawing Sheets



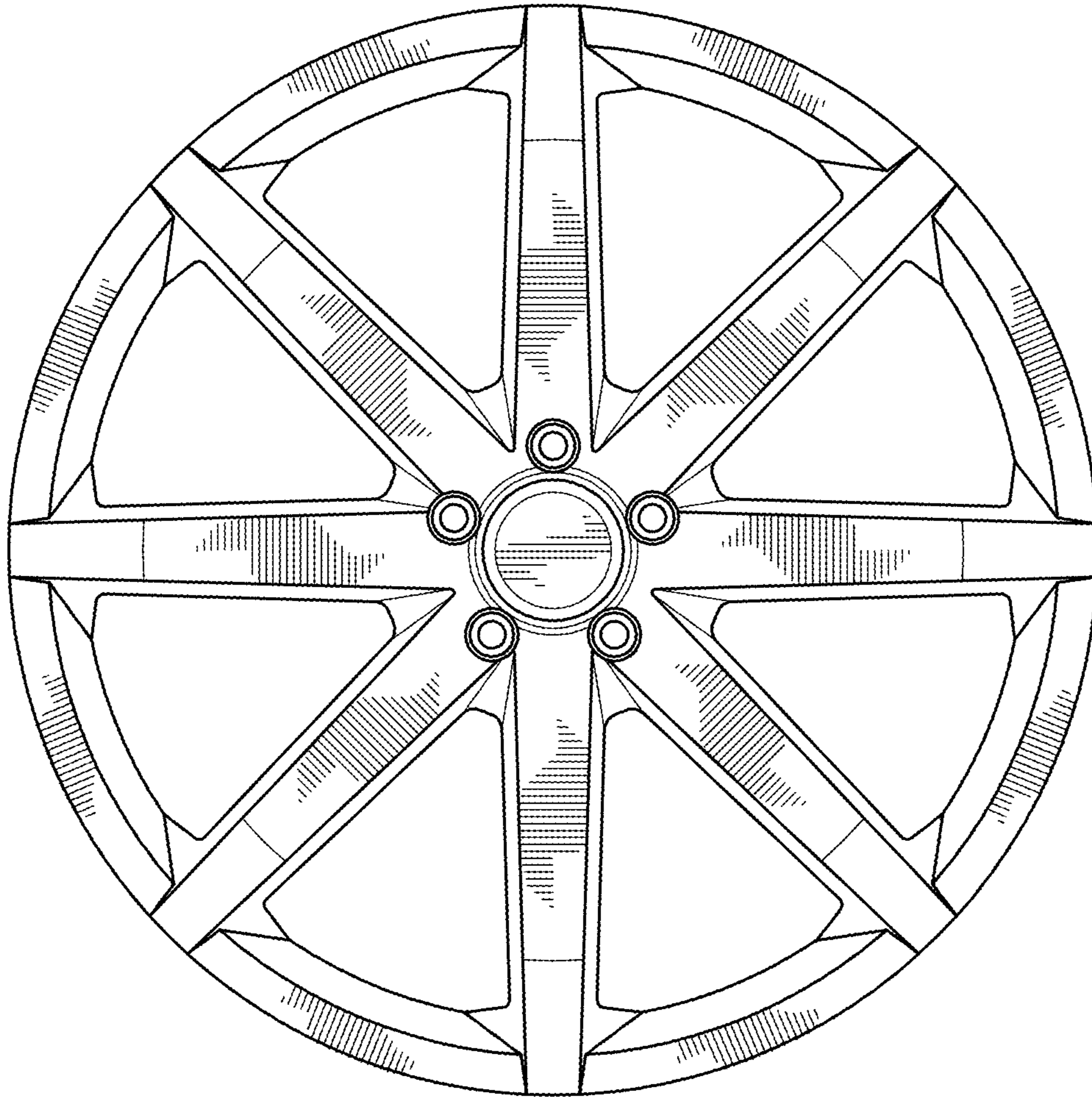


FIG. 1

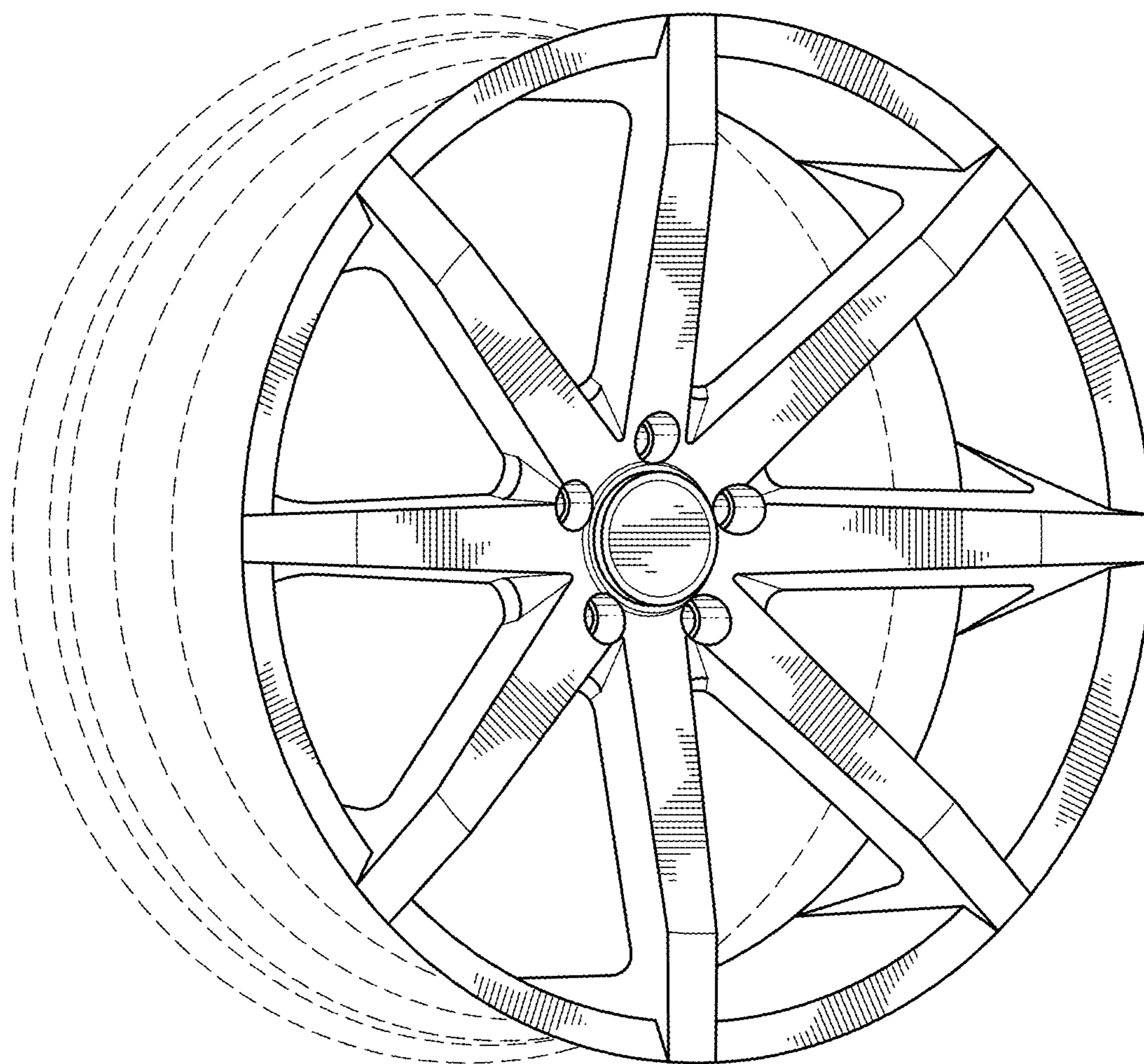


FIG. 2