



US00D776038S

(12) **United States Design Patent**  
**Hensel et al.**

(10) **Patent No.:** **US D776,038 S**

(45) **Date of Patent:** **\*\* Jan. 10, 2017**

(54) **HUB**

(71) Applicants: **Leonard A. Hensel**, Oswego, IL (US);  
**Bradley R. Layne**, Armstrong, IA (US)

(72) Inventors: **Leonard A. Hensel**, Oswego, IL (US);  
**Bradley R. Layne**, Armstrong, IA (US)

(73) Assignee: **GKN Armstrong Wheels, Inc.**,  
Armstrong, IA (US)

(\*\*) Term: **15 Years**

(21) Appl. No.: **29/530,859**

(22) Filed: **Jun. 19, 2015**

(51) **LOC (10) Cl.** ..... **12-16**

(52) **U.S. Cl.**  
USPC ..... **D12/207**

(58) **Field of Classification Search**  
USPC ..... D12/204-213; 280/250.1, 279; 301/59,  
301/110.5, 108.5; 384/545

(Continued)

(56) **References Cited**

**U.S. PATENT DOCUMENTS**

D28,400 S \* 3/1898 Pancost ..... D12/207  
D45,829 S \* 5/1914 Ash ..... D12/207

(Continued)

*Primary Examiner* — Stacia Cadmus

(74) *Attorney, Agent, or Firm* — Reinhart Boerner Van  
Deuren P.C.

(57) **CLAIM**

We claim the ornamental design for the hub assembly, as  
shown and described.

**DESCRIPTION**

FIG. 1 is a front left side perspective view of a hub assembly  
showing our new design;

FIG. 2 is a back left side perspective view of the hub  
assembly of FIG. 1;

FIG. 3 is an enlarged cross sectional view taken along line  
3-3 in FIG. 2;

FIG. 4 is an enlarged cross sectional view taken along line  
4-4 in FIG. 2;

FIG. 5 is a right side view of FIG. 1;

FIG. 6 is a left side view of FIG. 1;

FIG. 7 is a front view of FIG. 1;

FIG. 8 is a back view of FIG. 1;

FIG. 9 is a bottom view of FIG. 1; and

FIG. 10 is a top view of FIG. 1.

FIG. 11 is a front left side perspective view of a hub  
assembly of a second embodiment of the new design:

FIG. 12 is a back left side perspective view of the hub  
assembly of FIG. 11;

FIG. 13 is an enlarged cross sectional view taken along line  
13-13 in FIG. 12;

FIG. 14 is an enlarged cross sectional view taken along line  
14-14 in FIG. 12;

FIG. 15 is a right side view of FIG. 11;

FIG. 16 is a left side view of FIG. 11;

FIG. 17 is a front view of FIG. 11;

FIG. 18 is a back view of FIG. 11;

FIG. 19 is a bottom view of FIG. 11; and

FIG. 20 is a top view of FIG. 11.

FIG. 21 is front left side perspective view of a hub assembly  
of a third embodiment of the new design:

FIG. 22 is a back left side perspective view of the hub  
assembly of FIG. 21;

FIG. 23 is an enlarged cross sectional view taken along line  
23-23 in FIG. 22;

FIG. 24 is a cross sectional view taken along line 24-24 in  
FIG. 22;

FIG. 25 is a right side view of FIG. 21;

FIG. 26 is a left side view of FIG. 21;

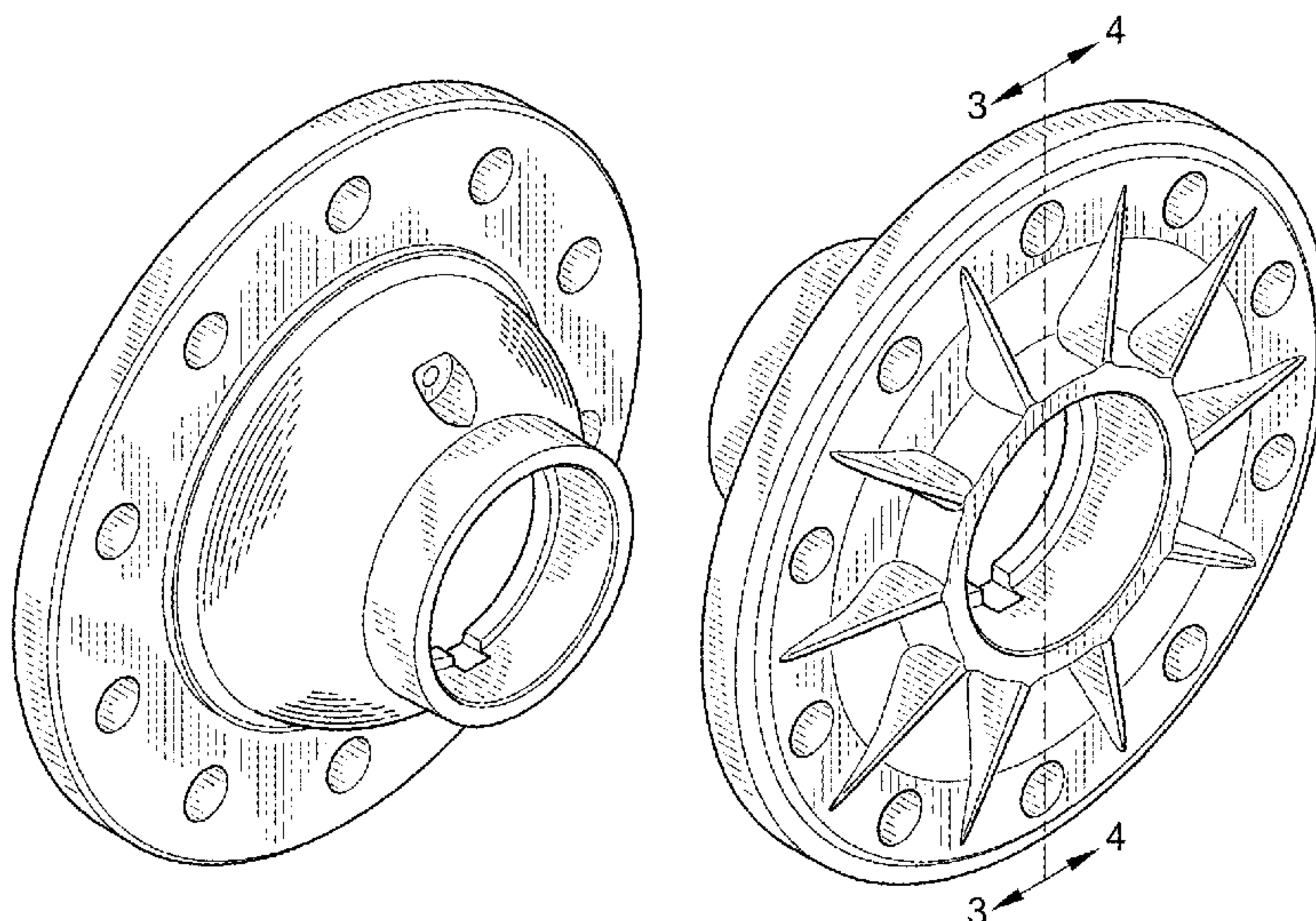
FIG. 27 is a front view of FIG. 21;

FIG. 28 is a back view of FIG. 21;

FIG. 29 is a bottom view of FIG. 21; and,

FIG. 30 is a top view of FIG. 21.

**1 Claim, 15 Drawing Sheets**



(58) **Field of Classification Search**

CPC ..... B60B 7/00; B60B 7/02; B60B 7/04;  
B60B 7/01; B60B 7/06; B60B 3/02; B60B  
3/04; B60B 3/06; B60B 3/10; B60B 1/00;  
B60B 1/08; B60B 1/10; B60B 1/12; B60B  
27/02; B60B 27/0052; B60B  
27/0078; B60B 27/026; B60B  
27/0057; B60B 1/042; B62K 25/02

See application file for complete search history.

(56) **References Cited**

U.S. PATENT DOCUMENTS

2,349,220 A \* 5/1944 Eksergian ..... B60B 27/02  
301/105.1  
D207,053 S \* 2/1967 Cecil ..... D12/207  
D274,716 S \* 7/1984 Mahnig ..... D12/207  
D359,021 S \* 6/1995 Snook ..... D12/207  
5,492,391 A \* 2/1996 Snook ..... B60B 1/042  
301/105.1  
D381,615 S \* 7/1997 Smith ..... D12/207  
6,612,657 B1 \* 9/2003 Fakhoury ..... B60B 27/02  
301/105.1  
D504,377 S \* 4/2005 Caudill ..... D12/207  
D591,215 S \* 4/2009 Weigand ..... D12/207  
8,287,052 B2 \* 10/2012 Fakhoury ..... B60B 27/02  
301/105.1  
D749,482 S \* 2/2016 Schroeder ..... D12/207  
9,333,800 B2 \* 5/2016 Wiechmann ..... B60B 27/0057

\* cited by examiner

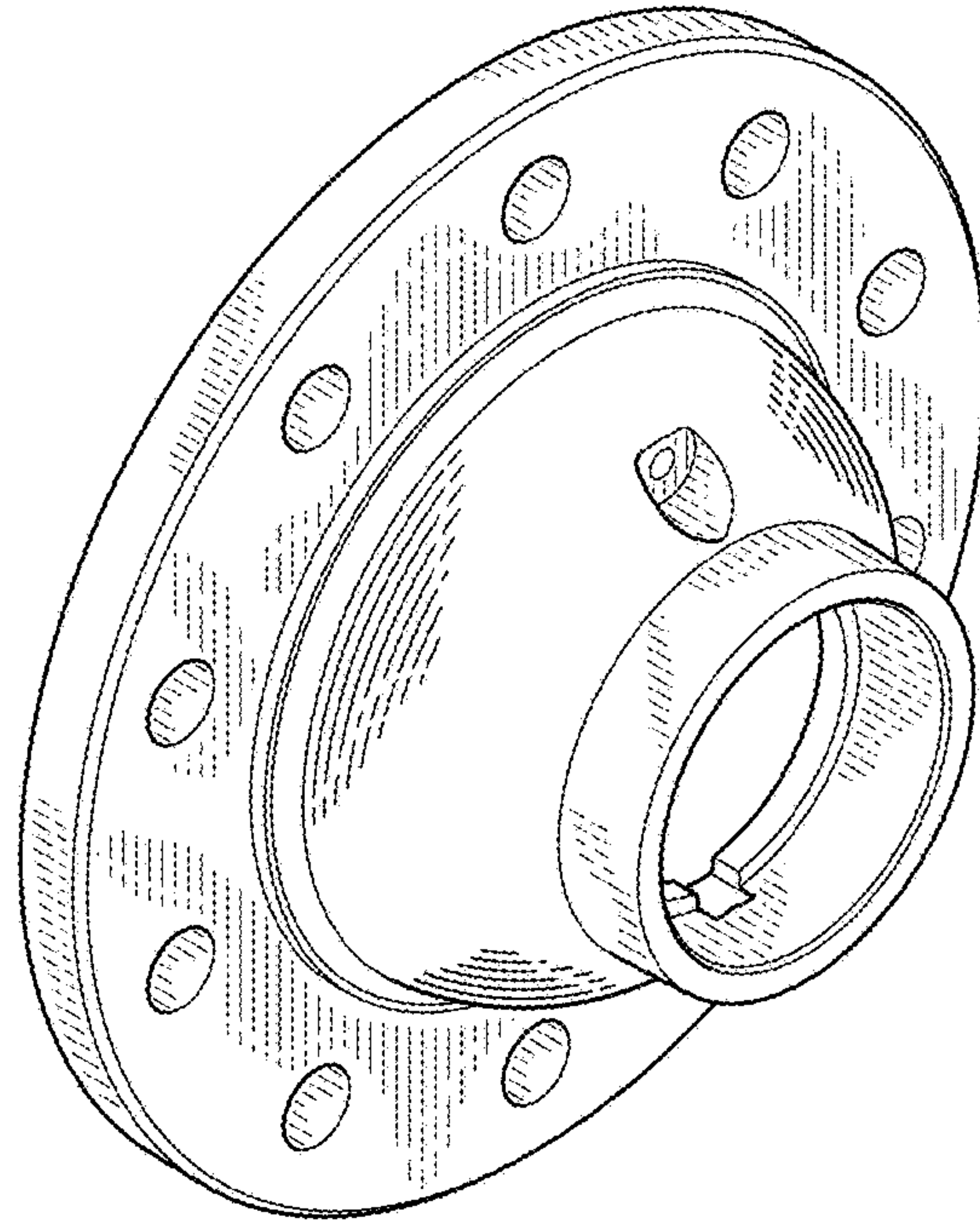


FIG. 1

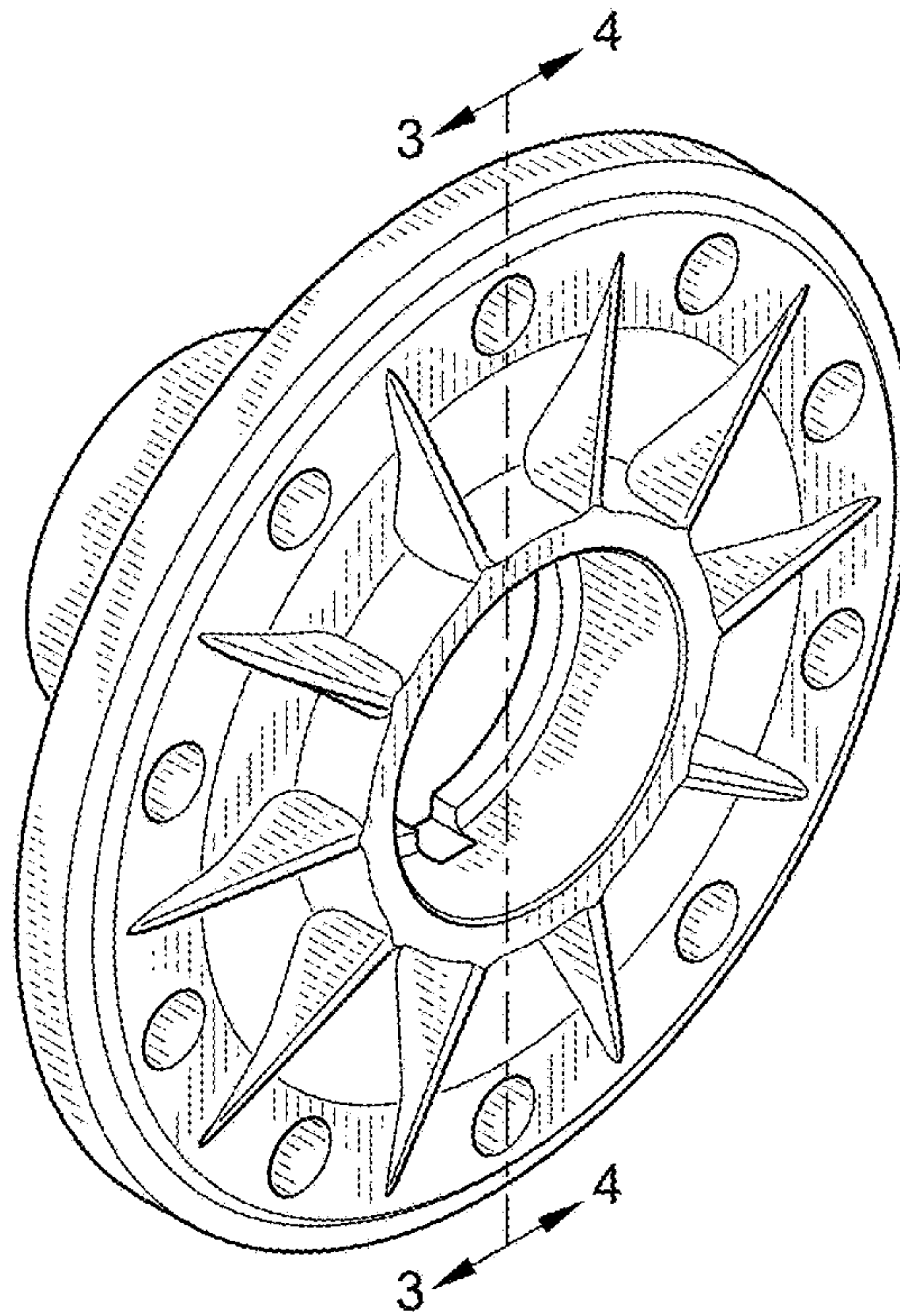


FIG. 2



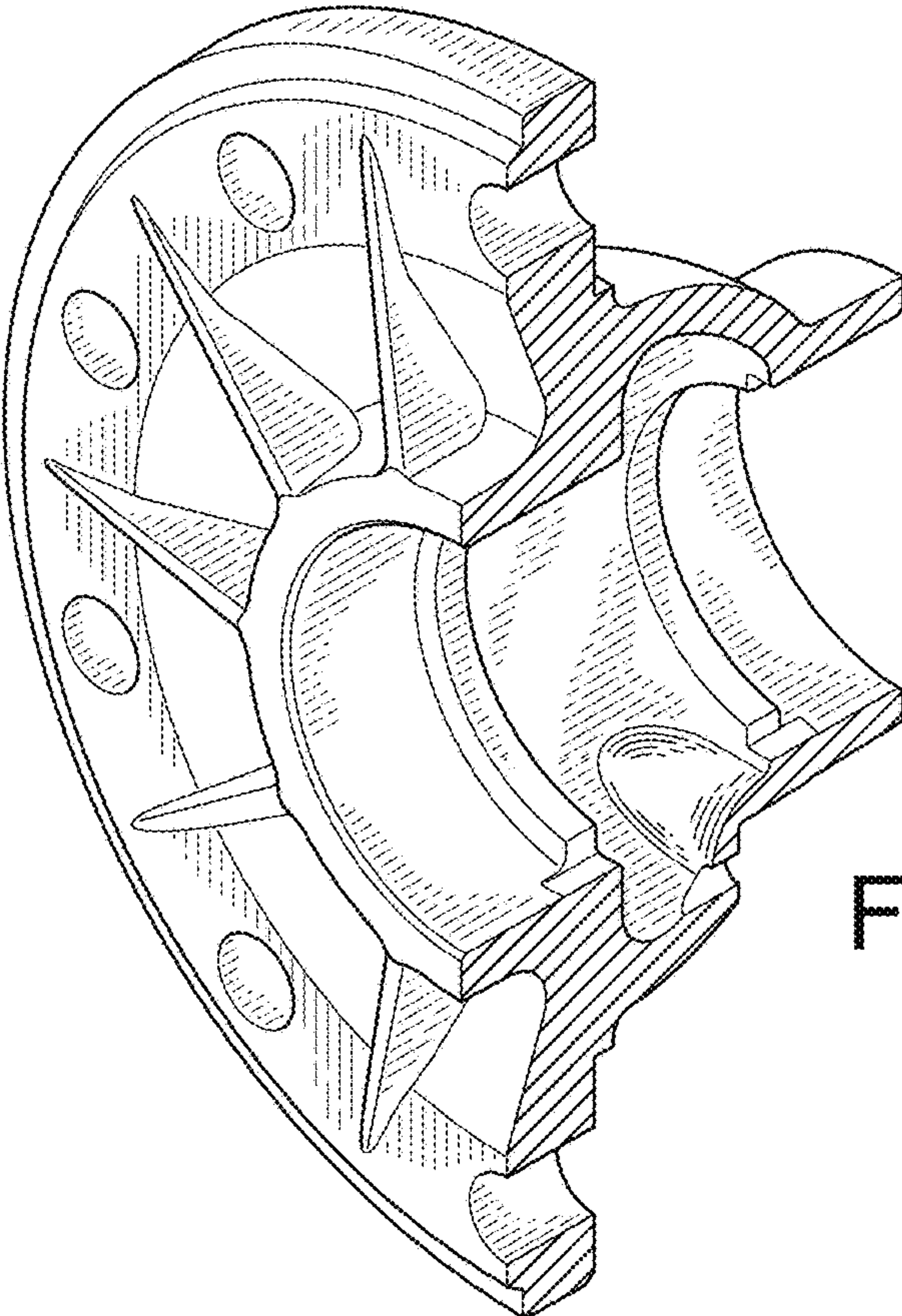


FIG. 3

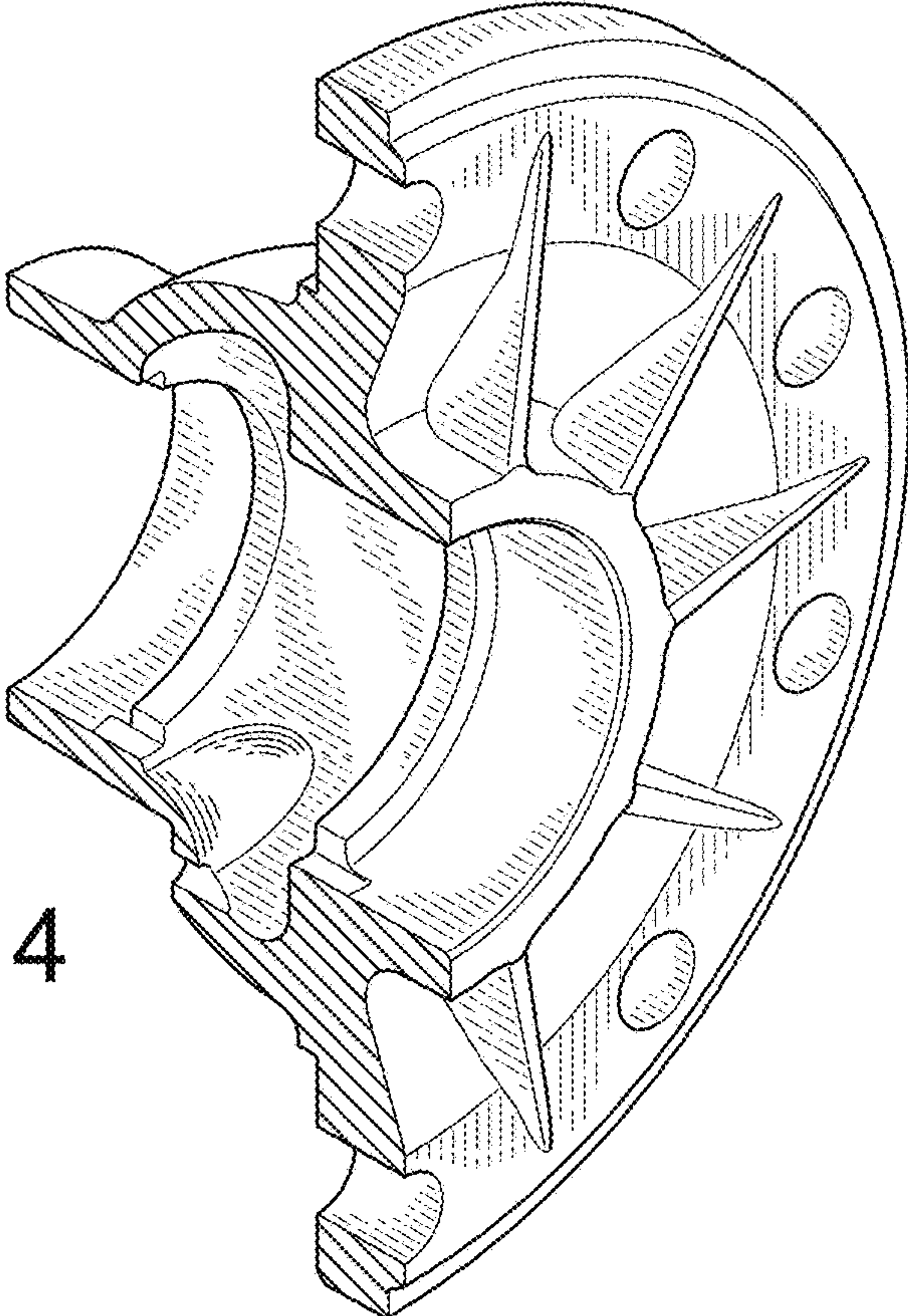


FIG. 4

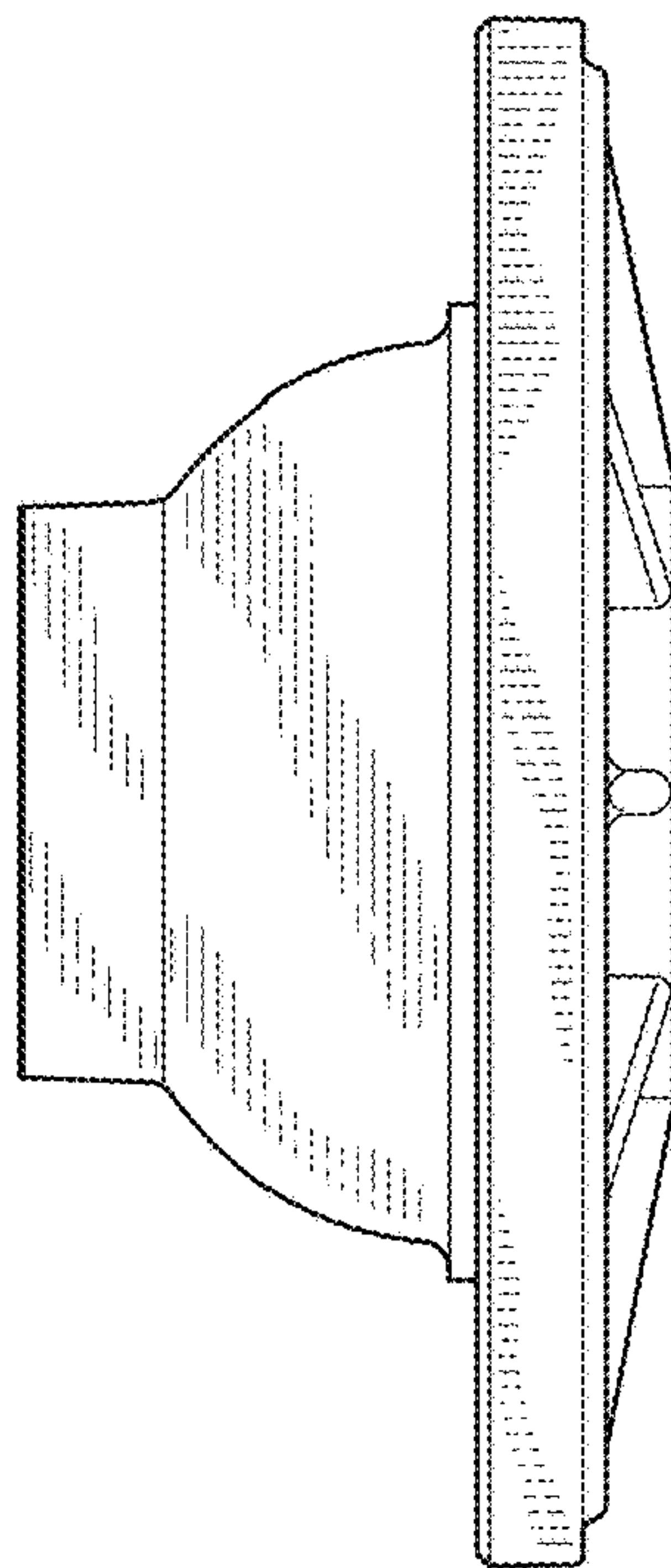


FIG. 5

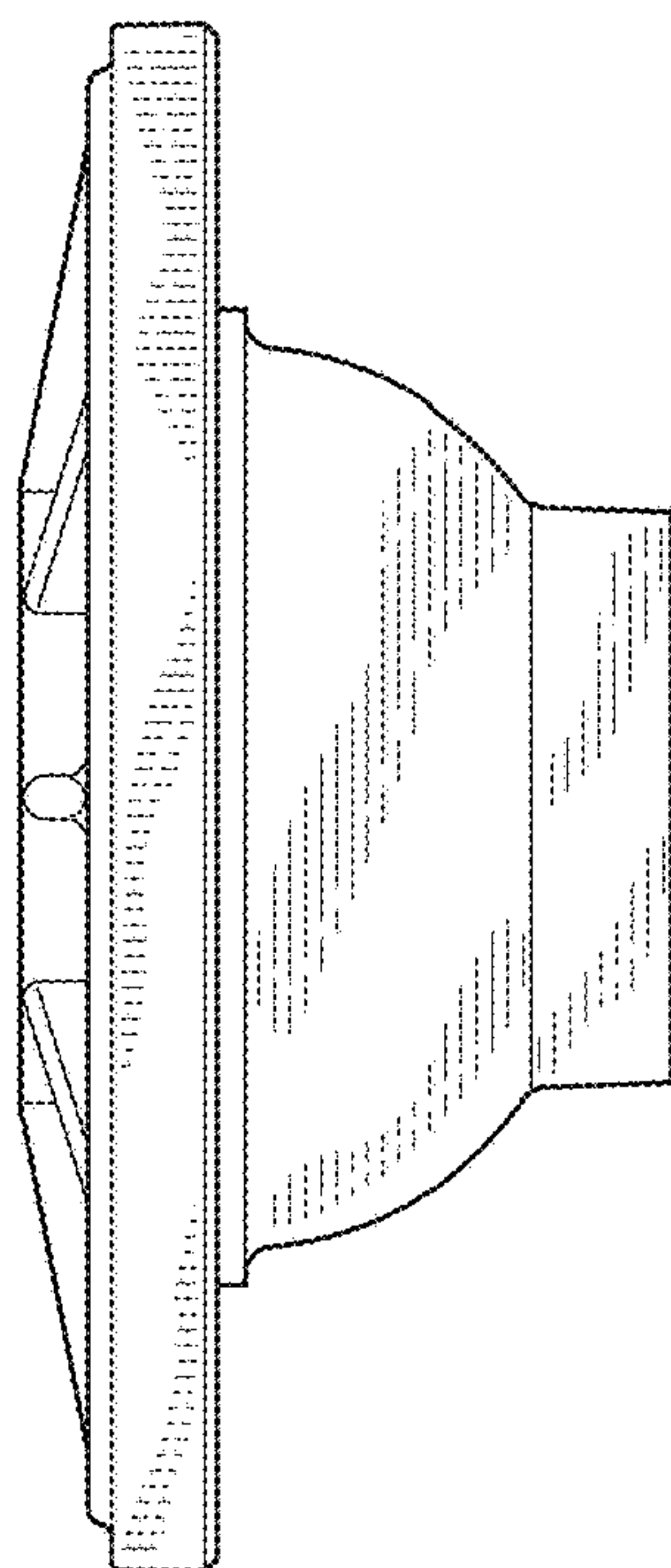


FIG. 6

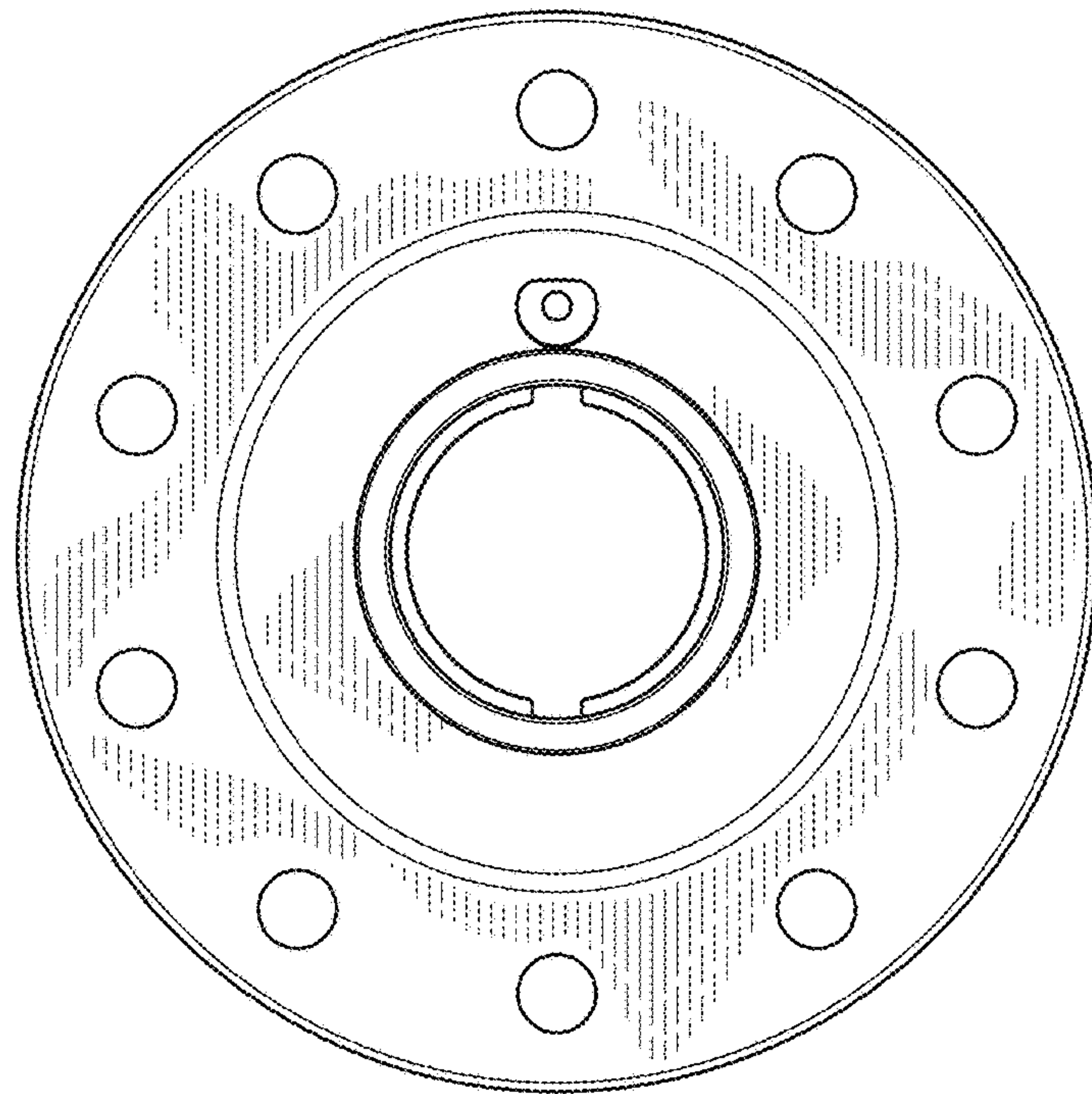


FIG. 7

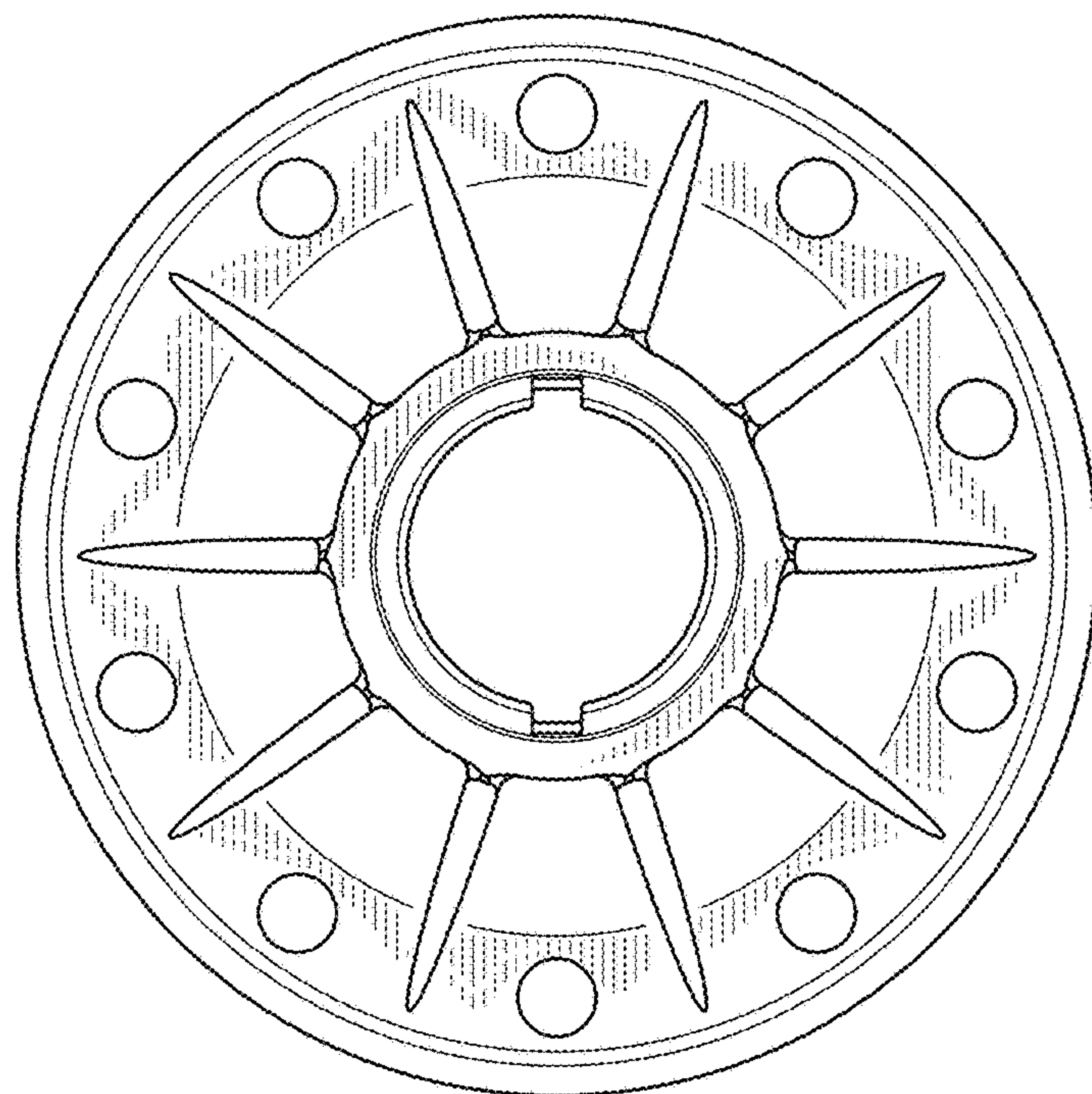


FIG. 8



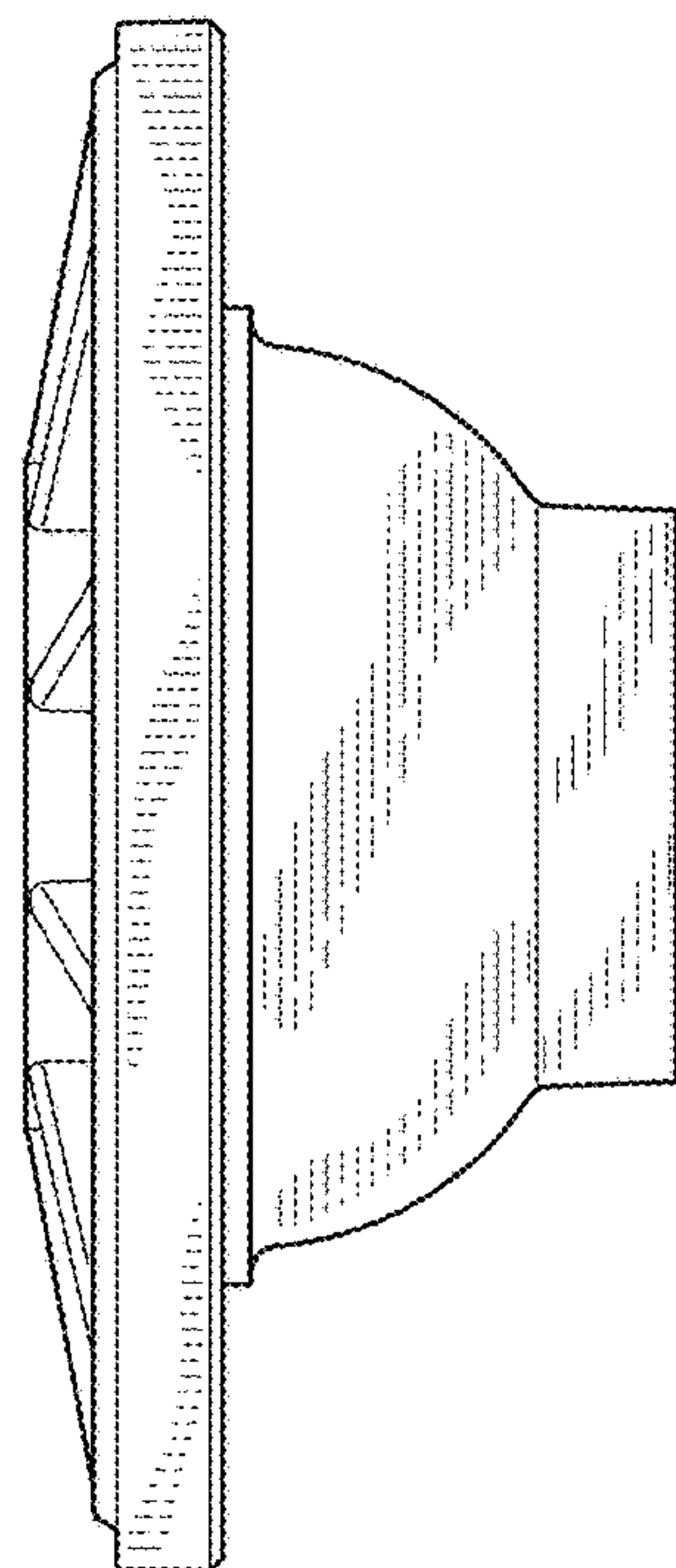


FIG. 9

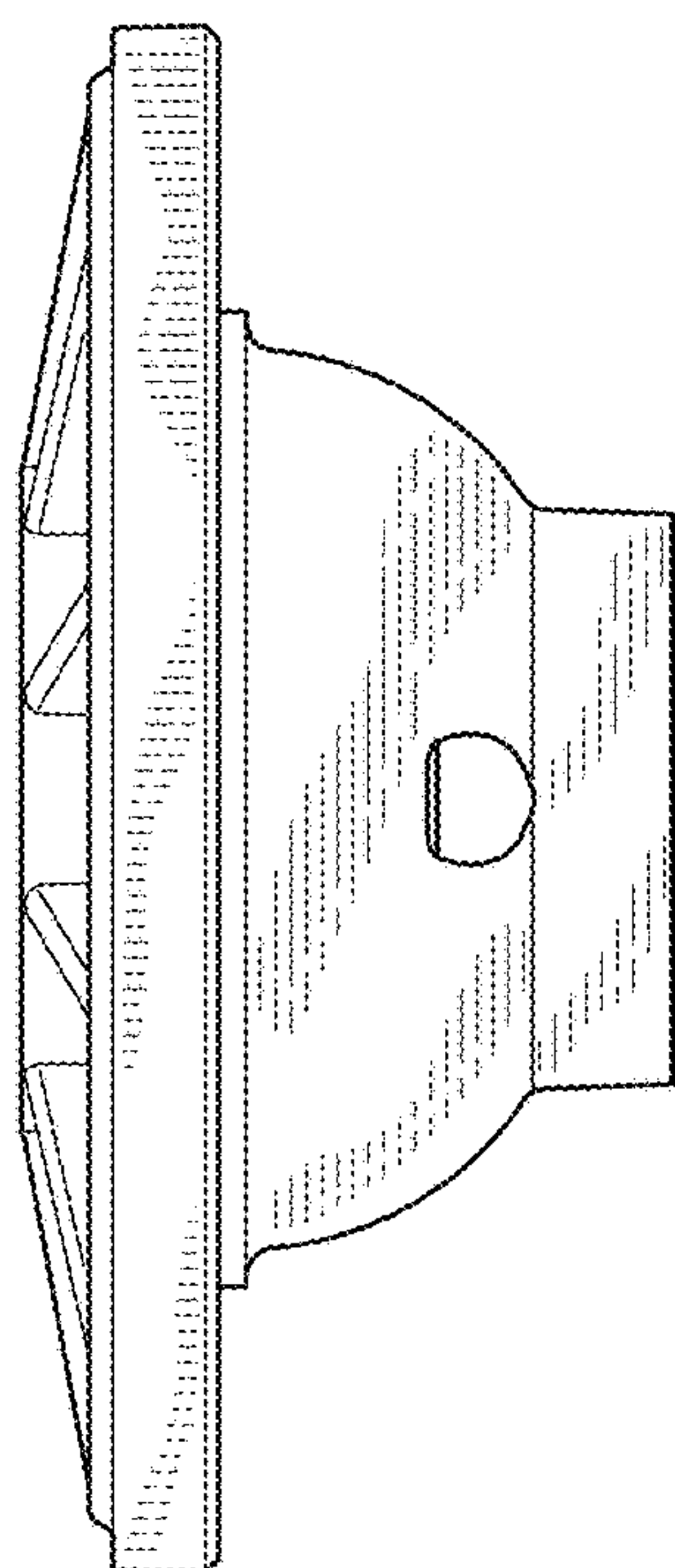


FIG. 10

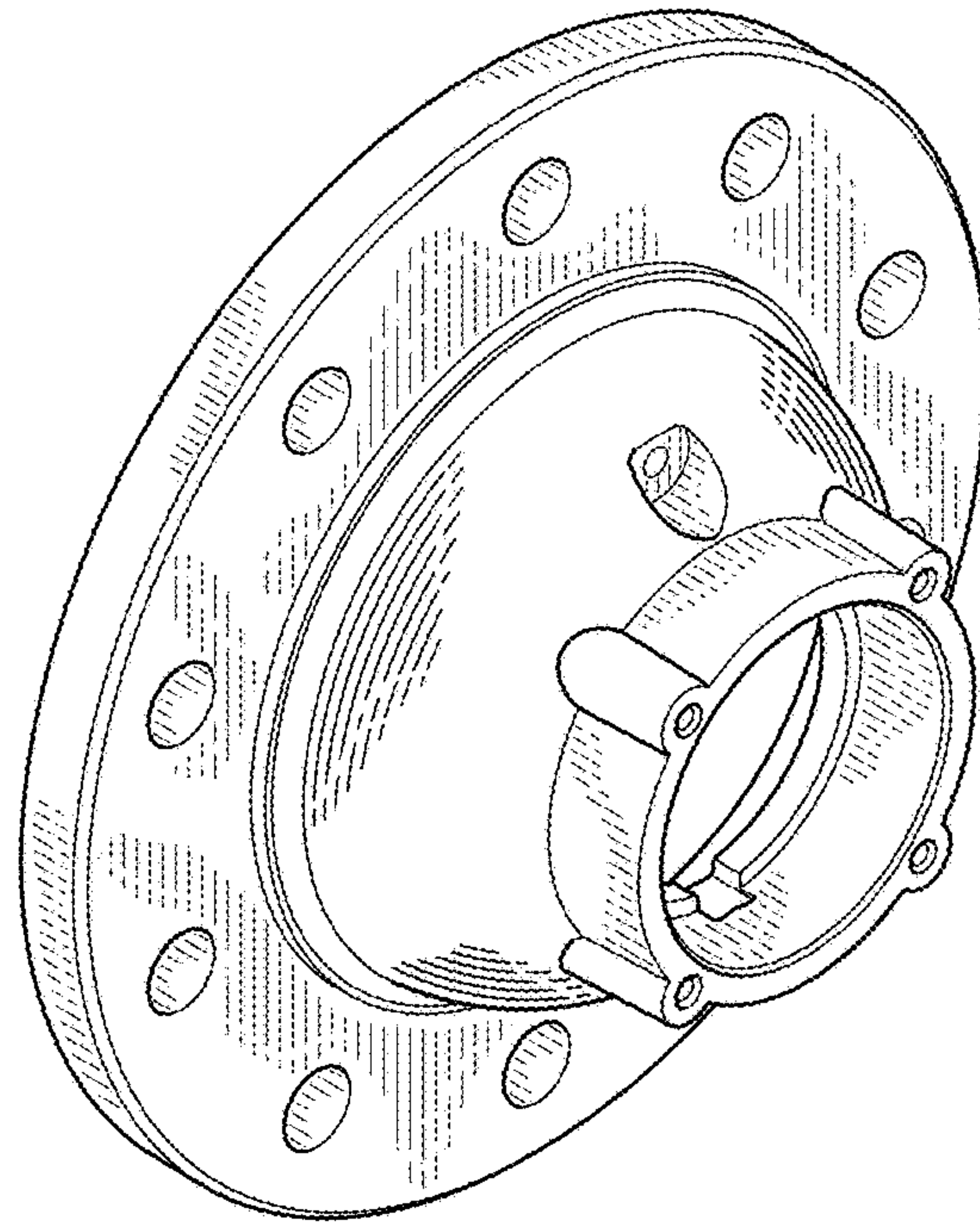


FIG. 11

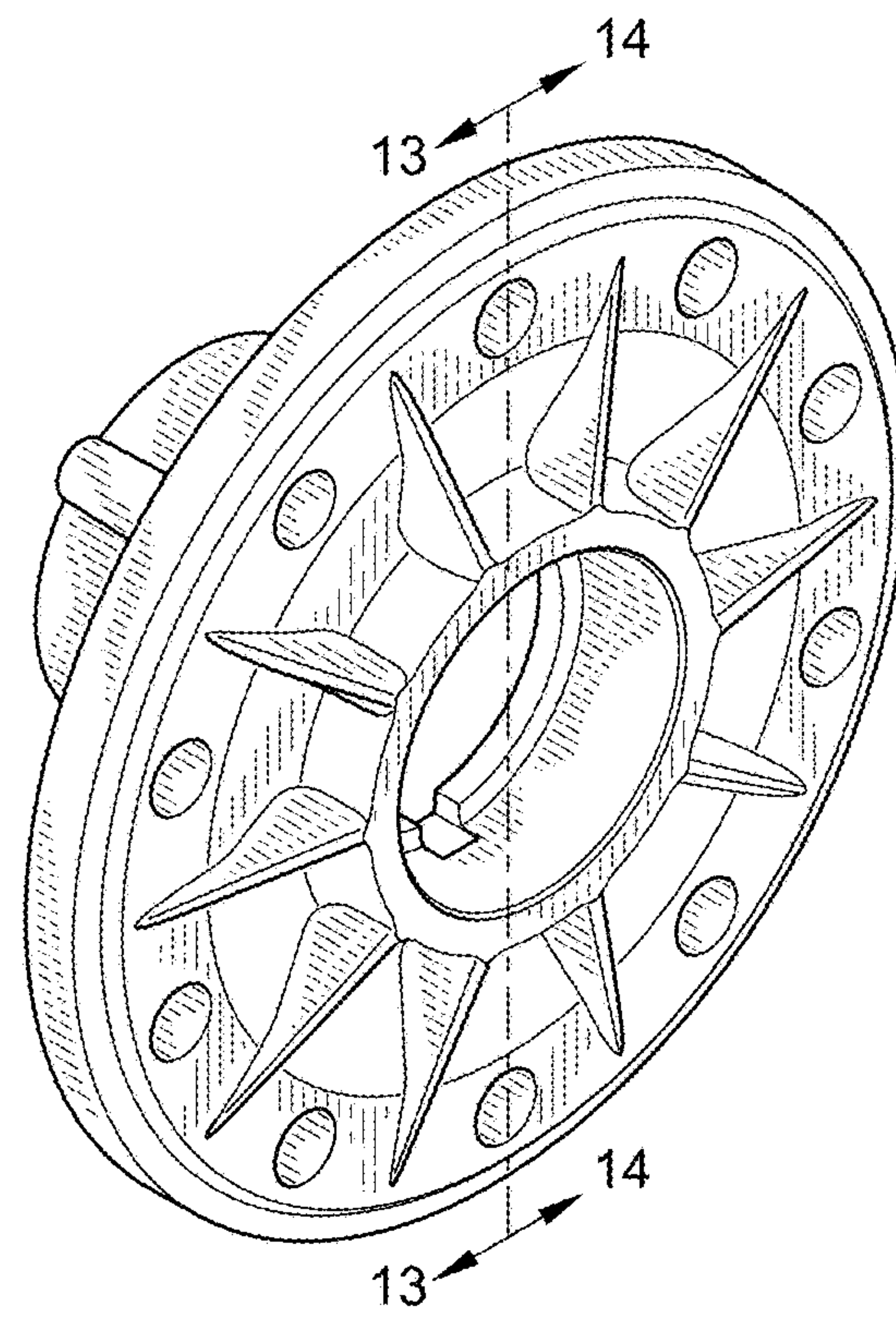


FIG. 12



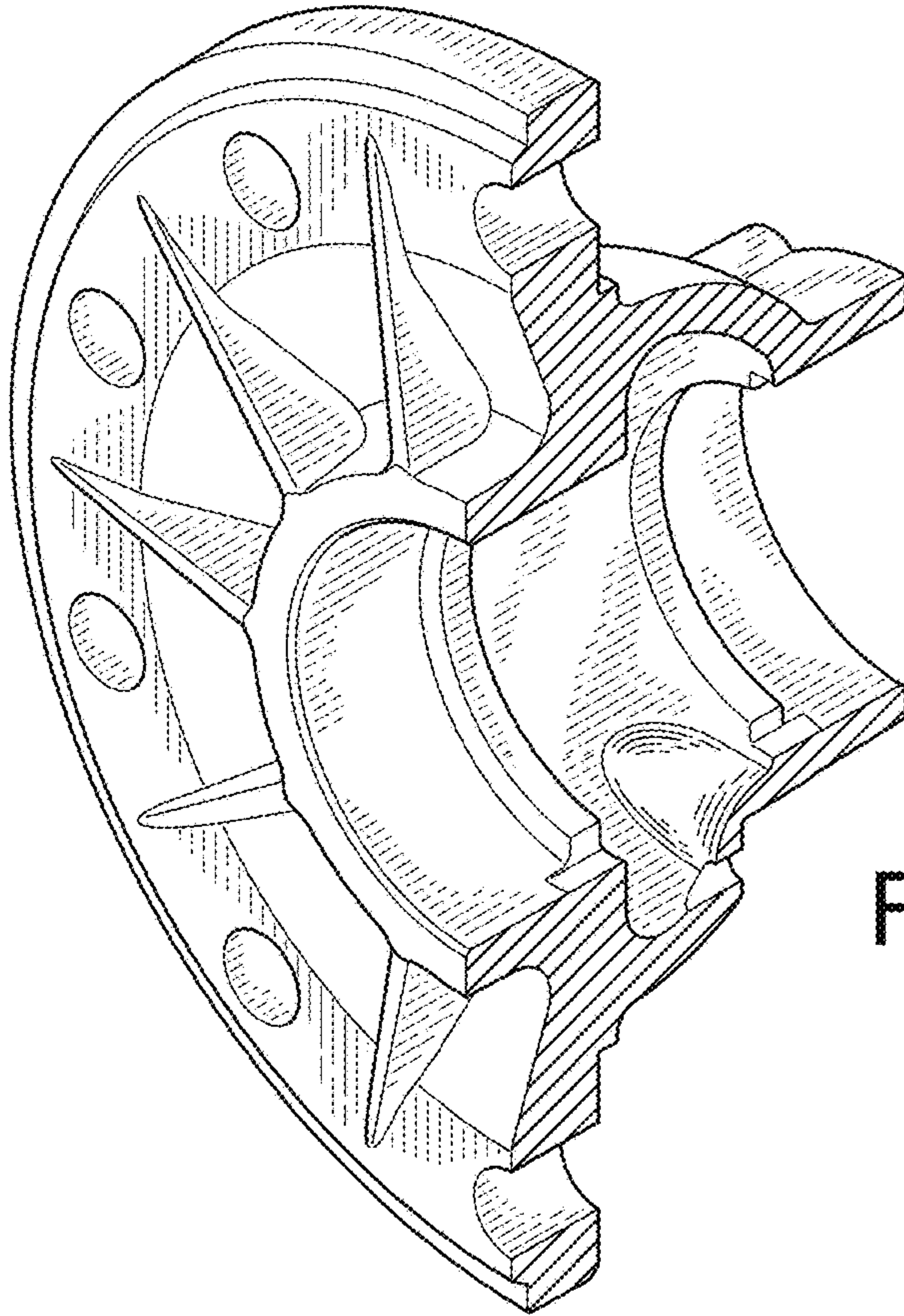


FIG. 13

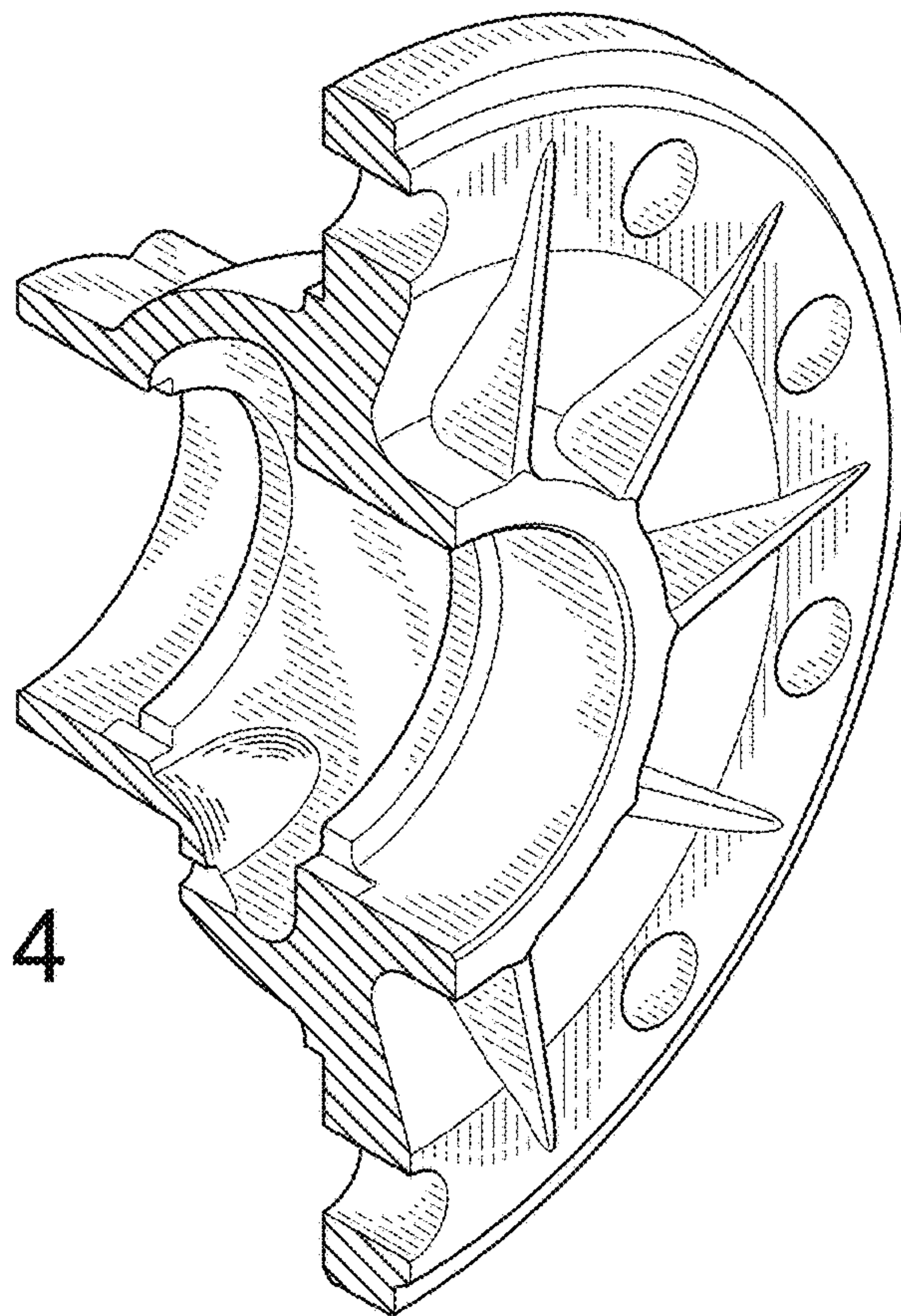


FIG. 14

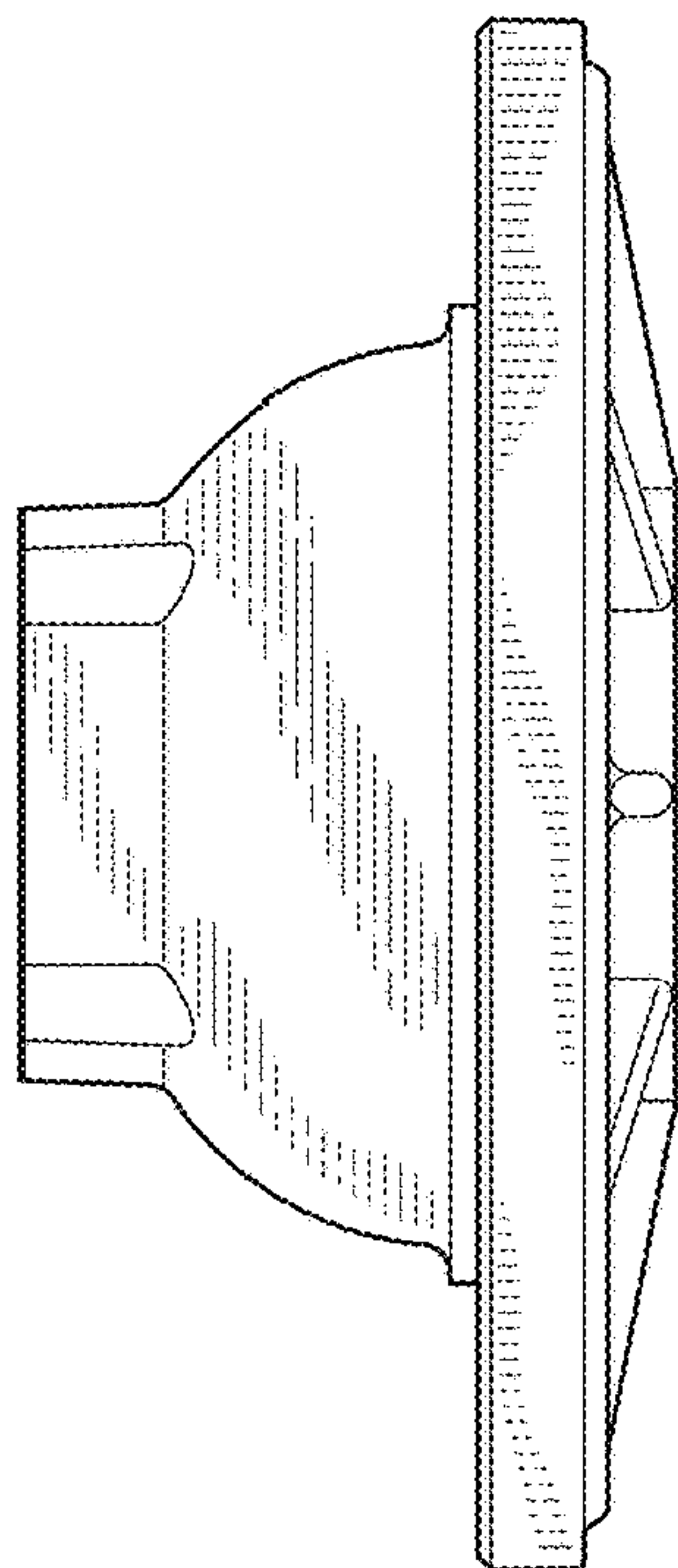


FIG. 15

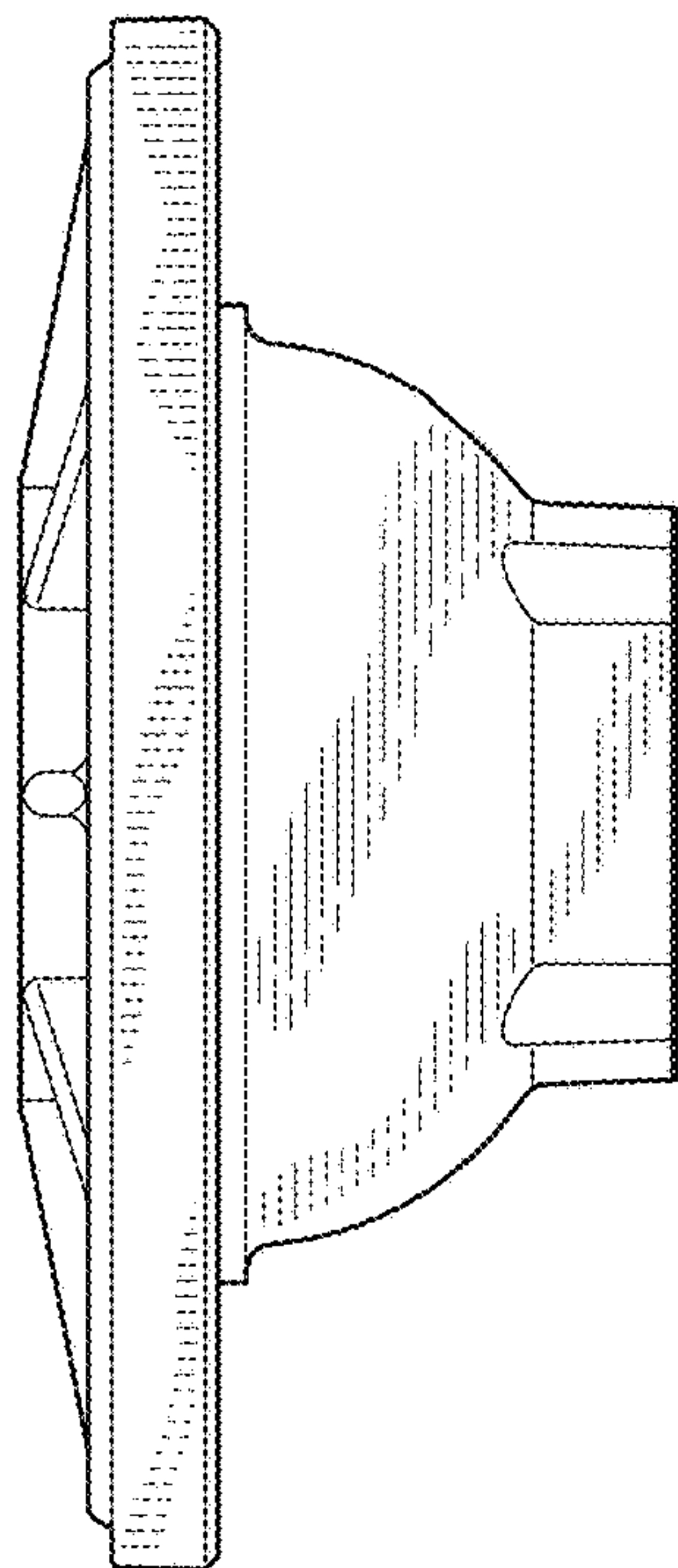


FIG. 16

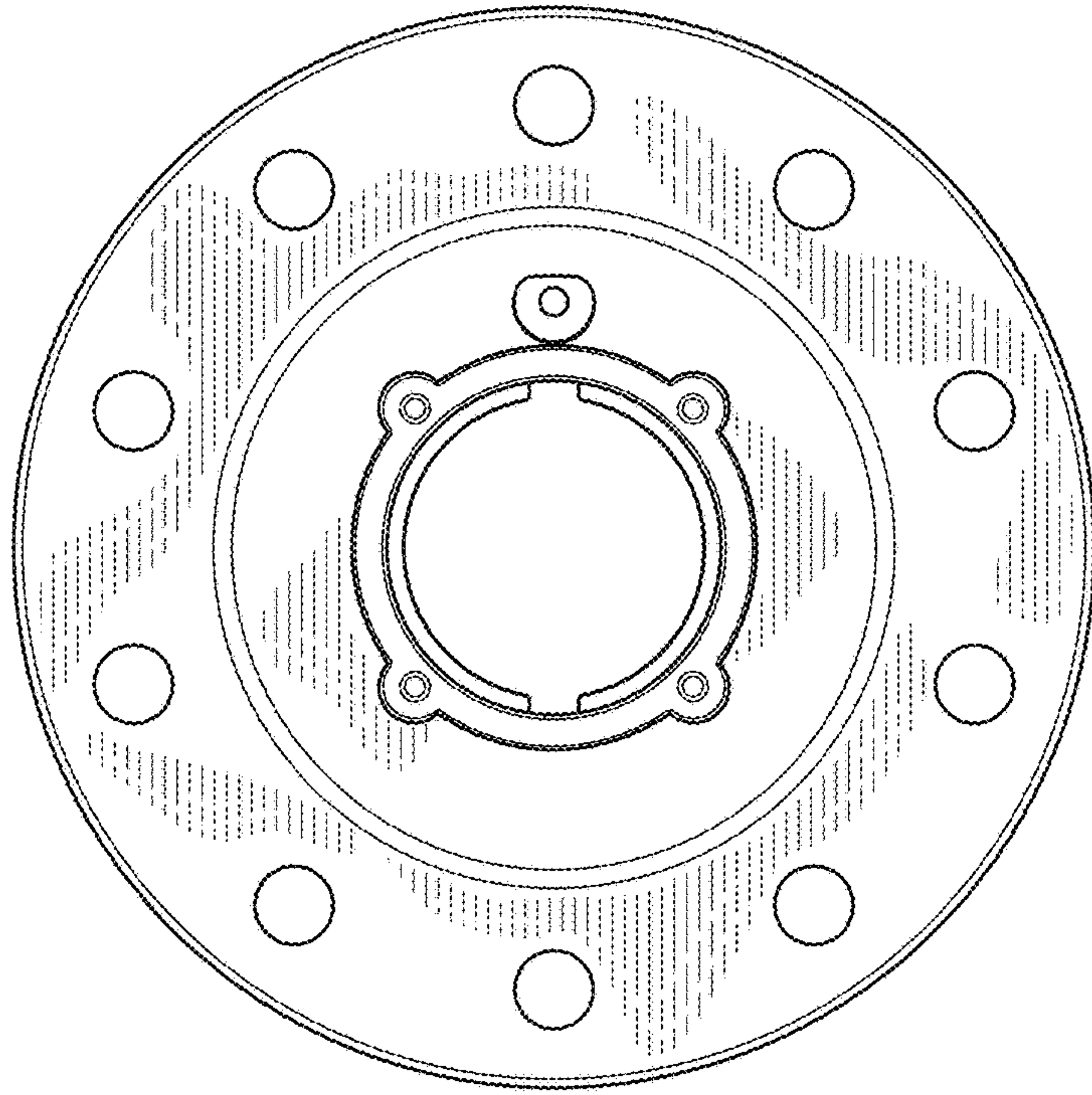


FIG. 17

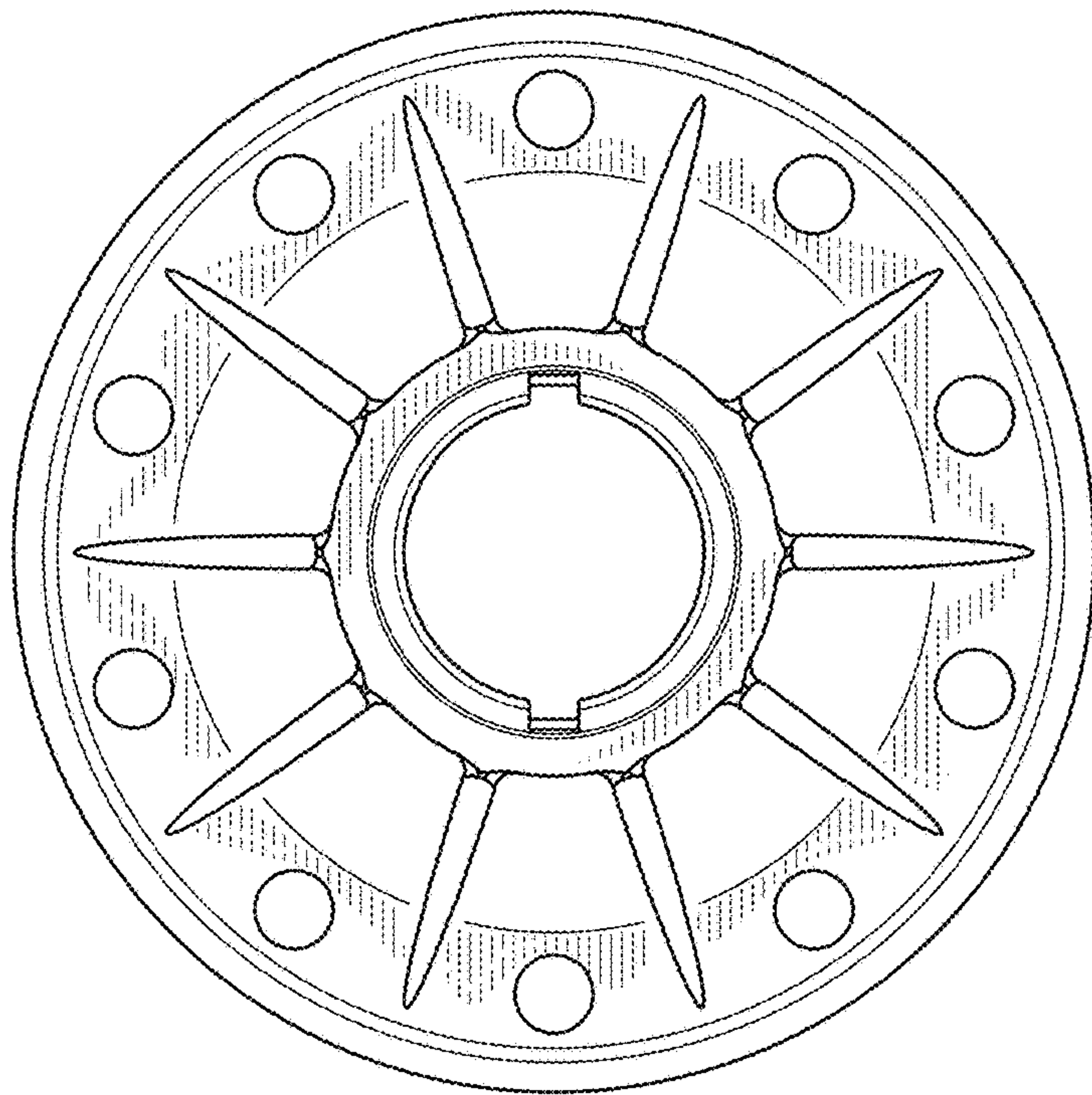


FIG. 18



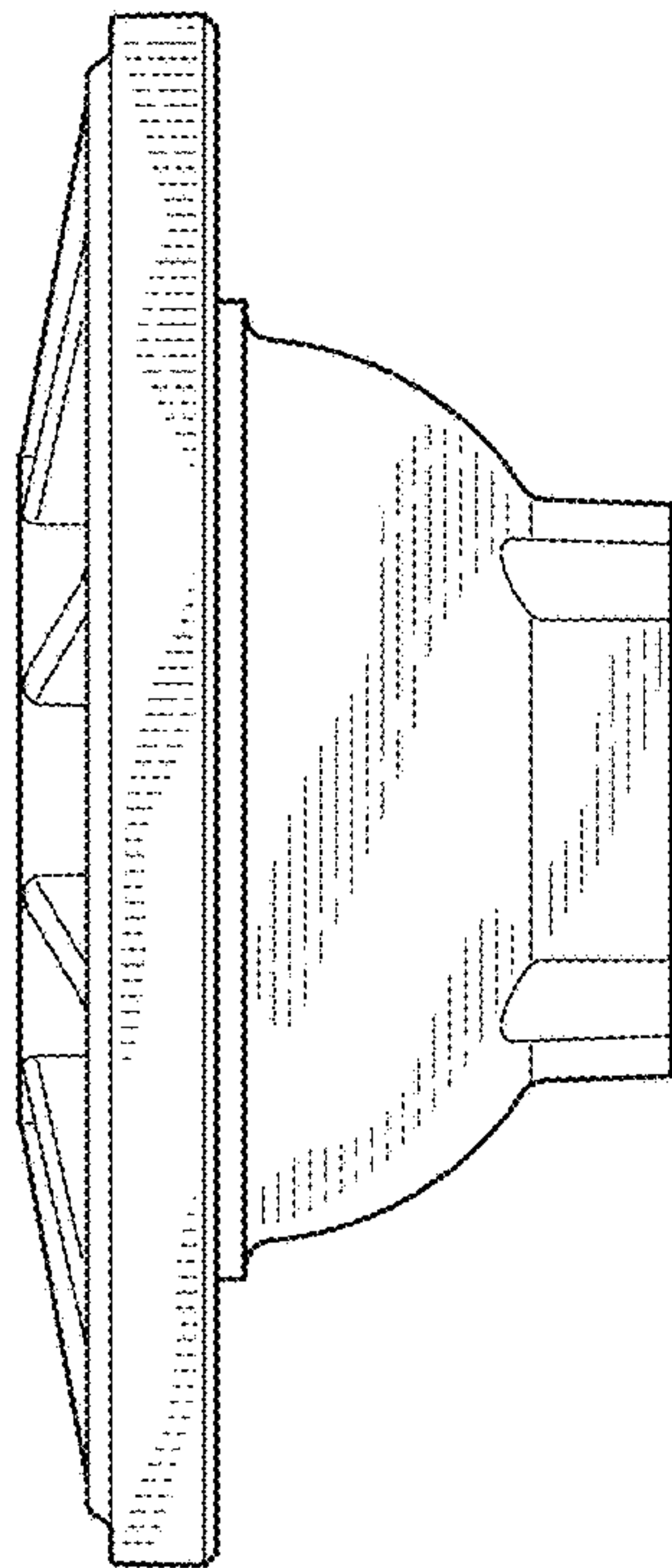


FIG. 19

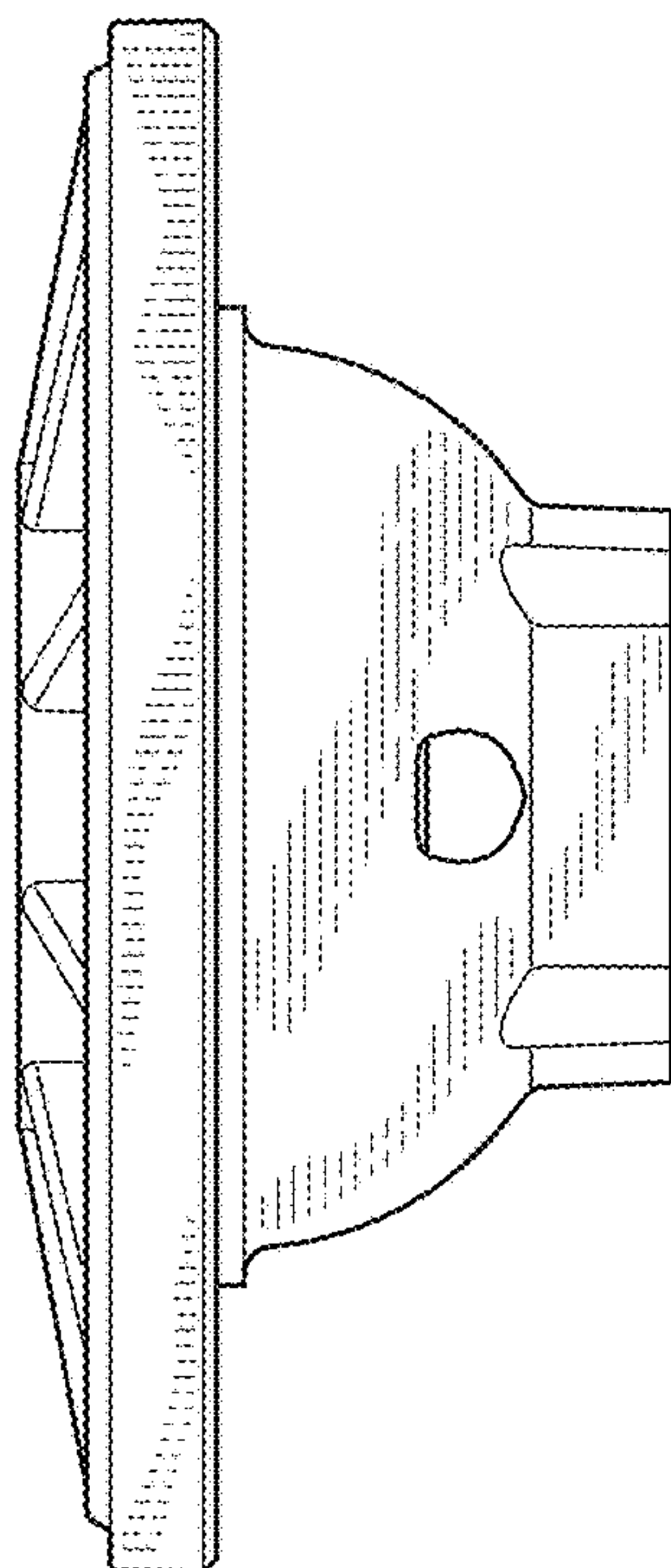


FIG. 20

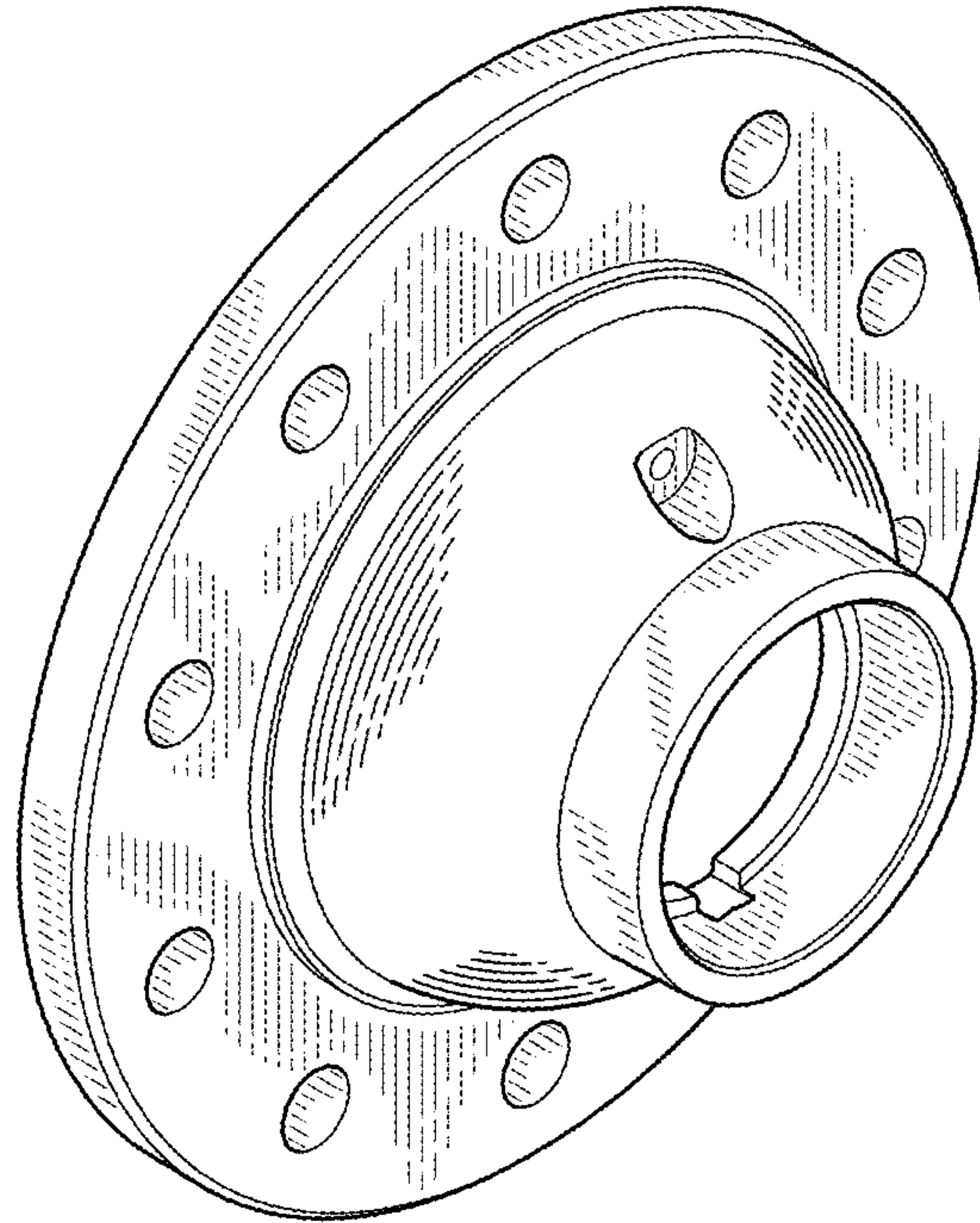


FIG. 21

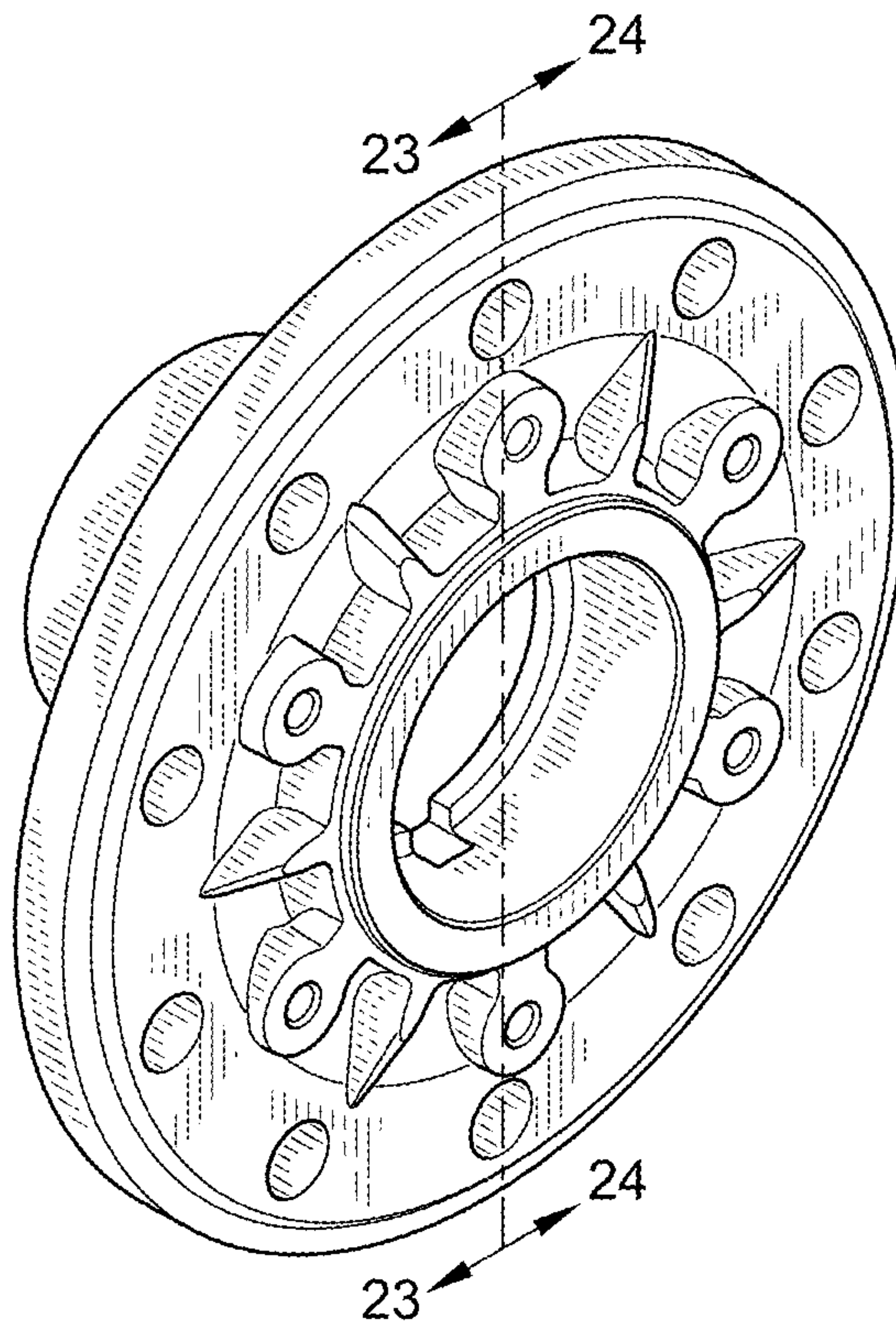


FIG. 22

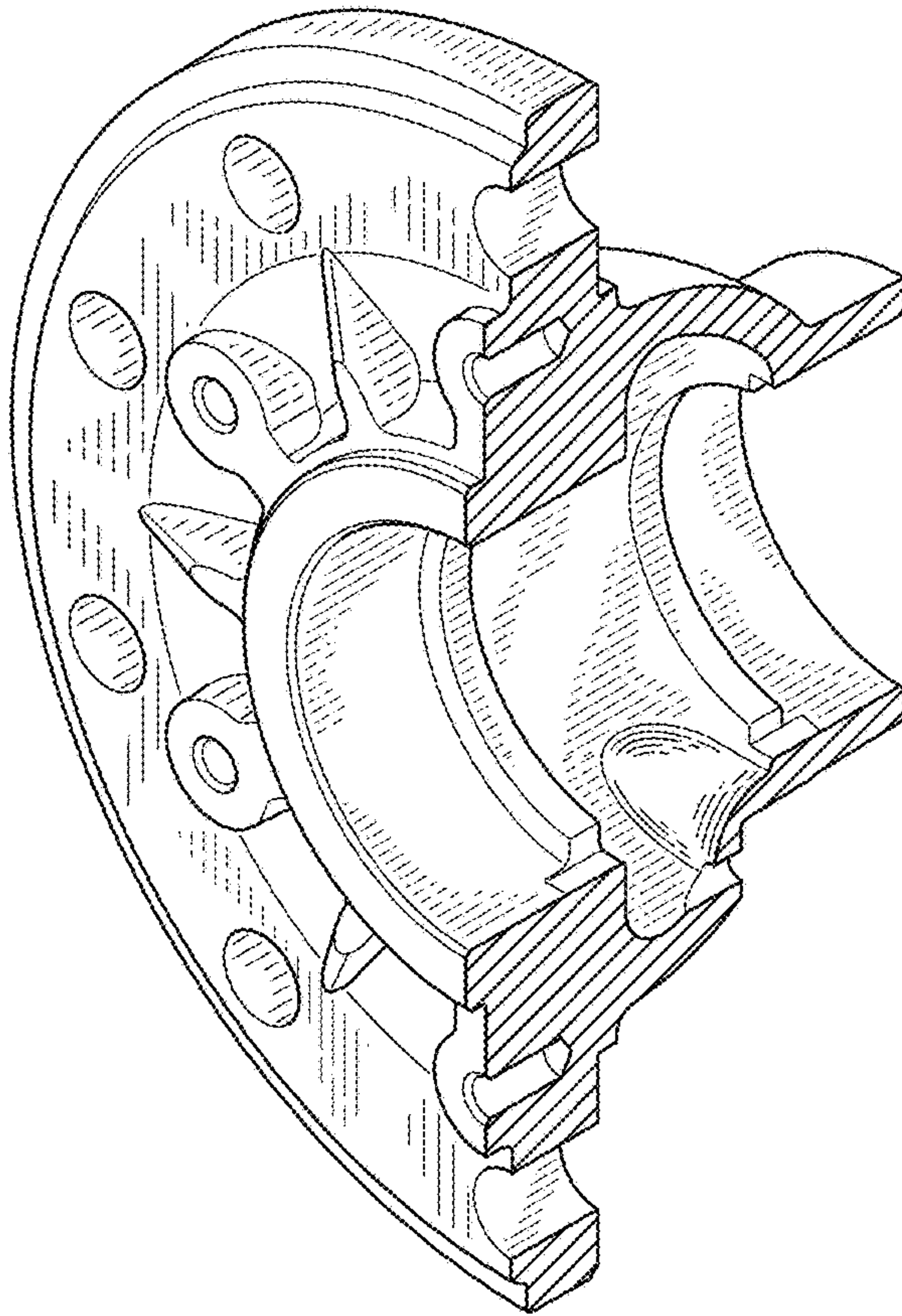


FIG. 23

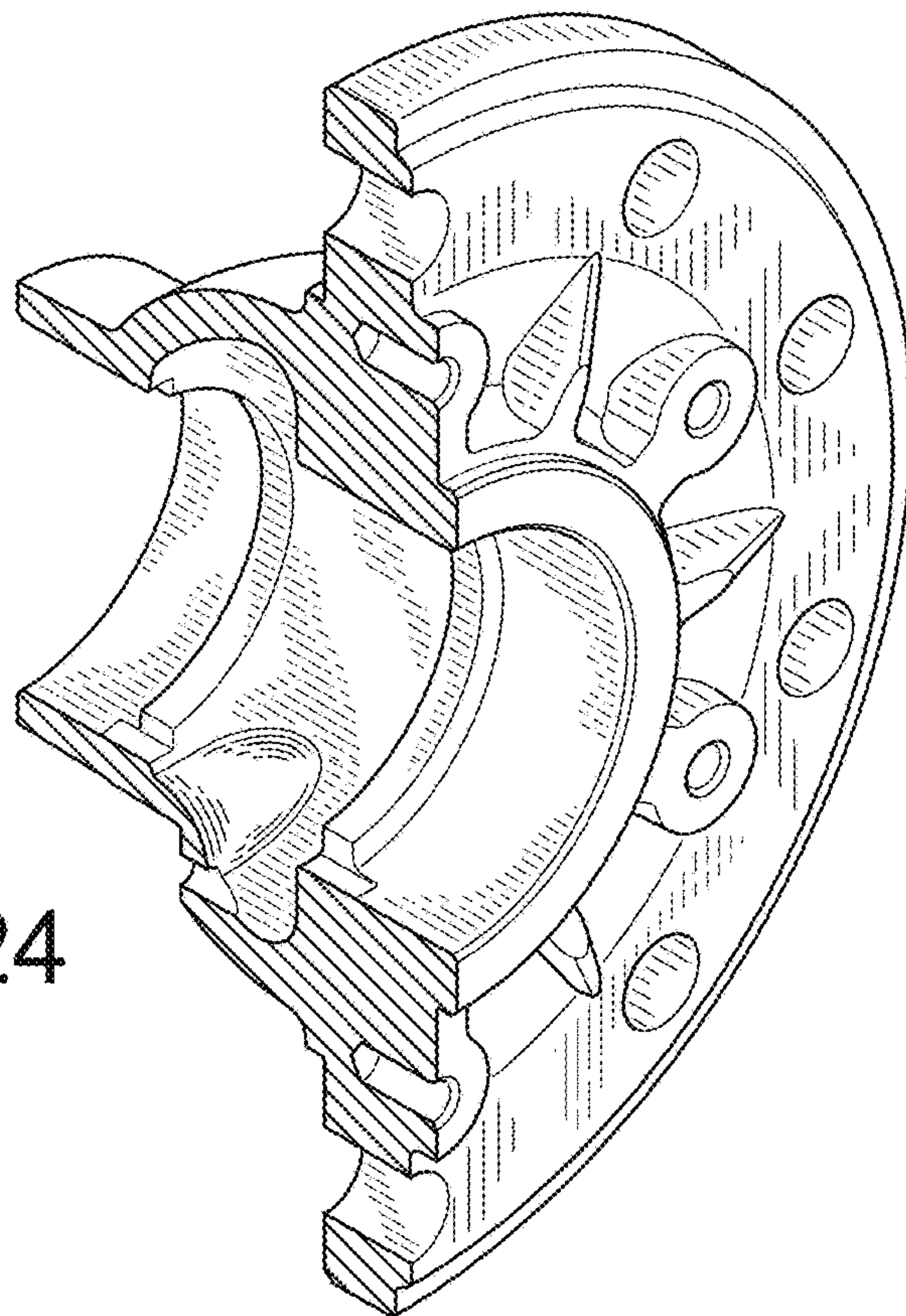


FIG. 24



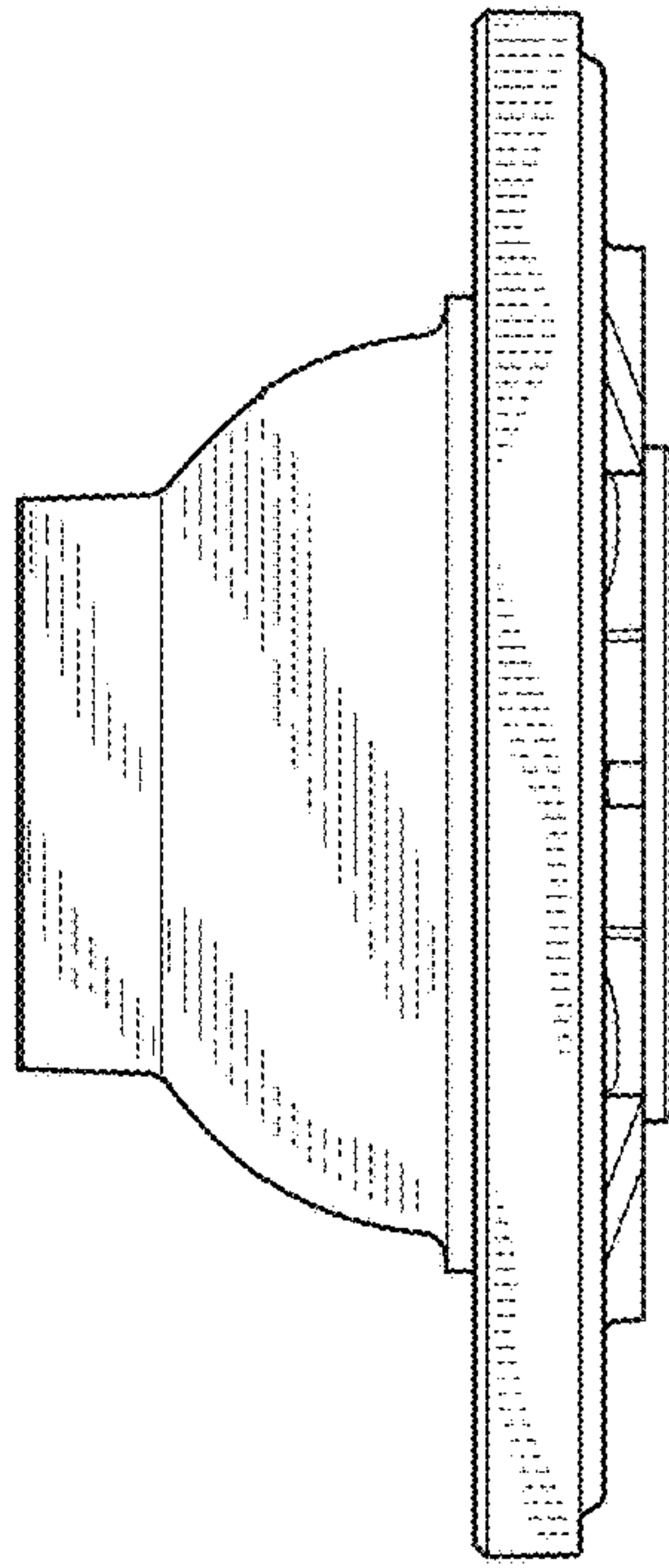


FIG. 25

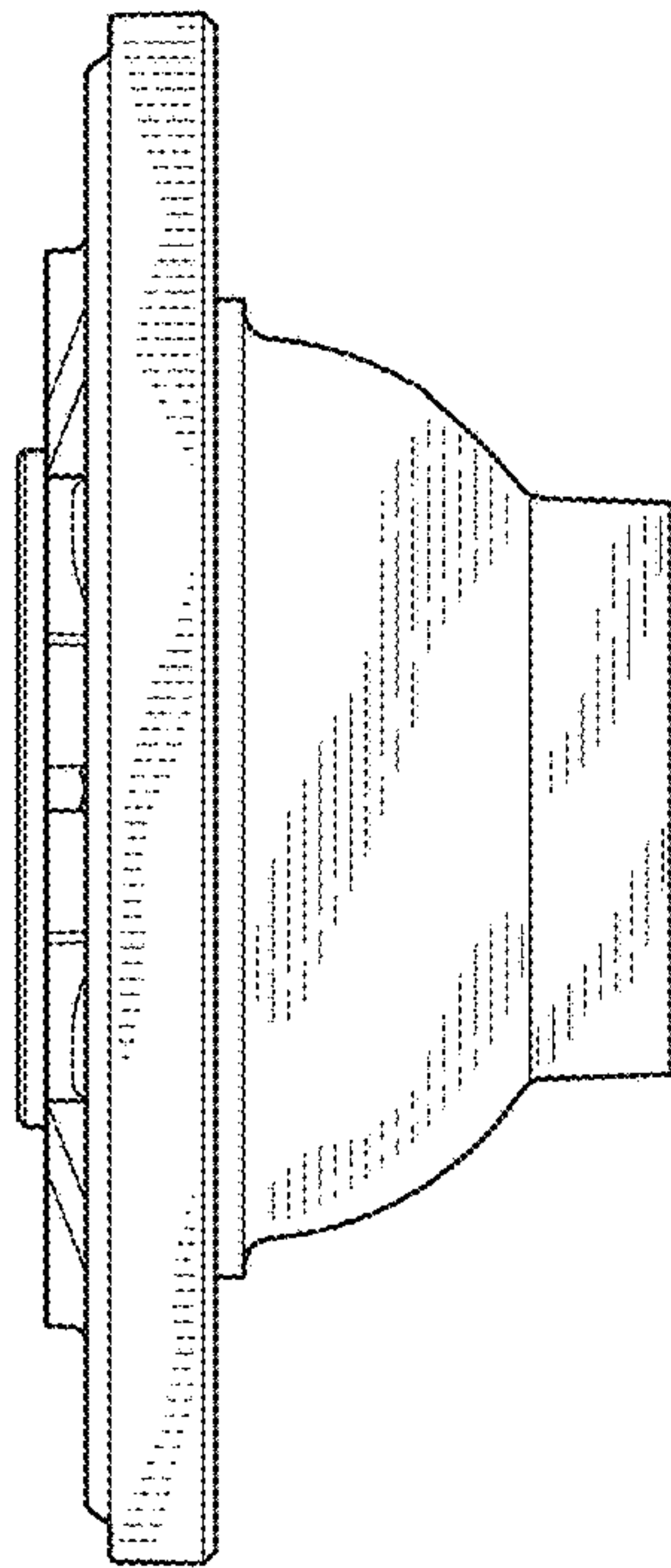


FIG. 26

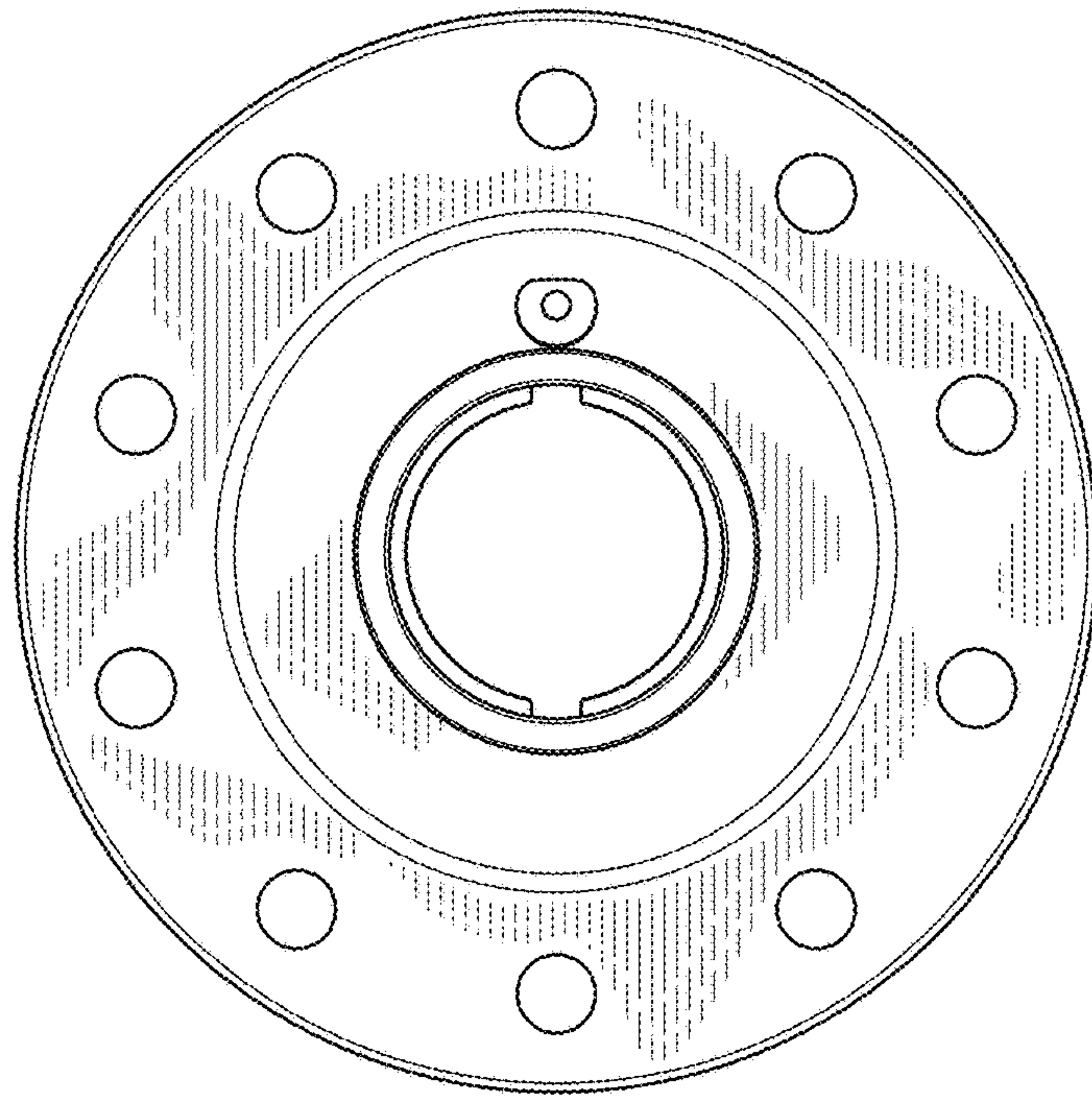


FIG. 27

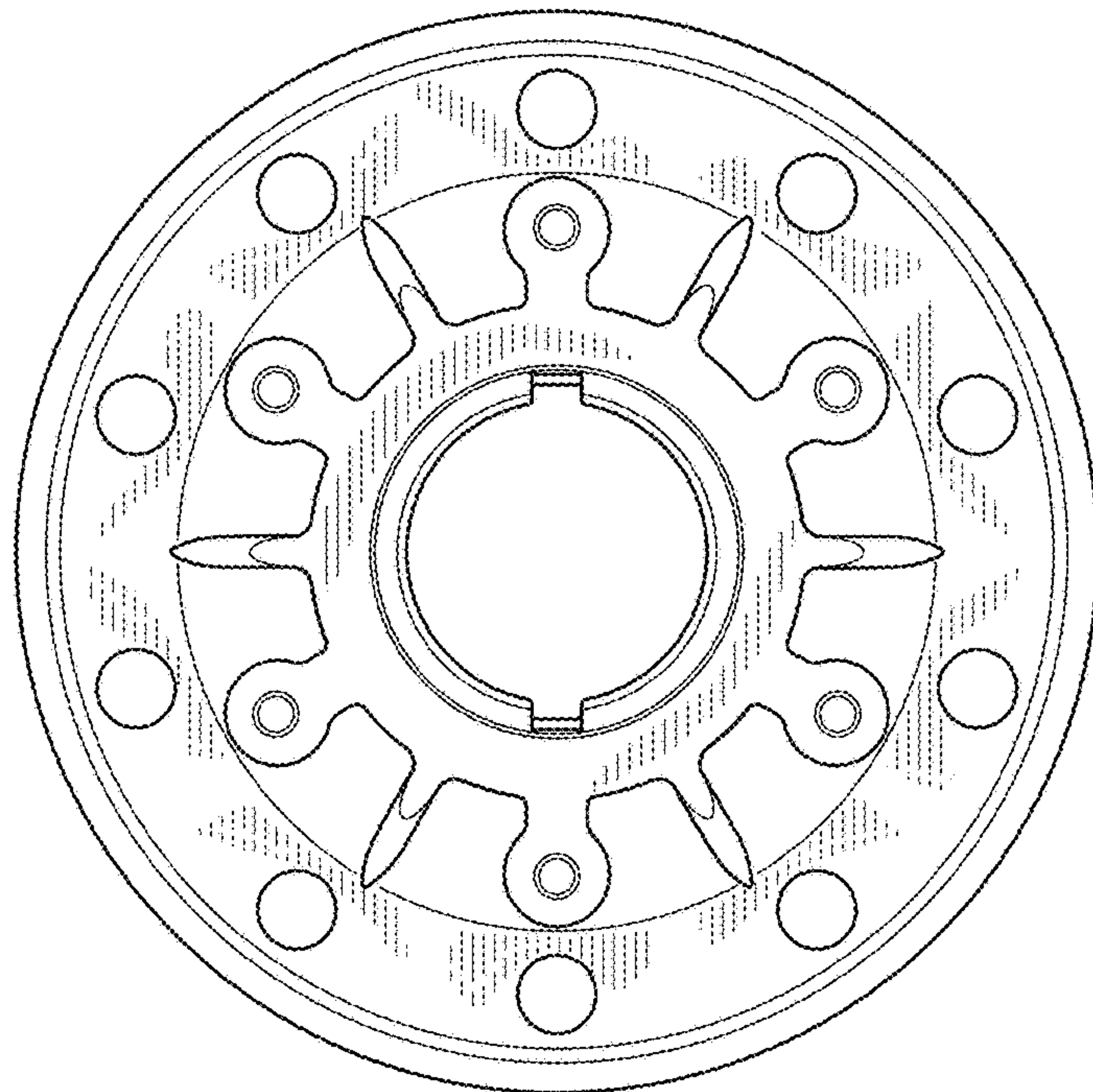


FIG. 28

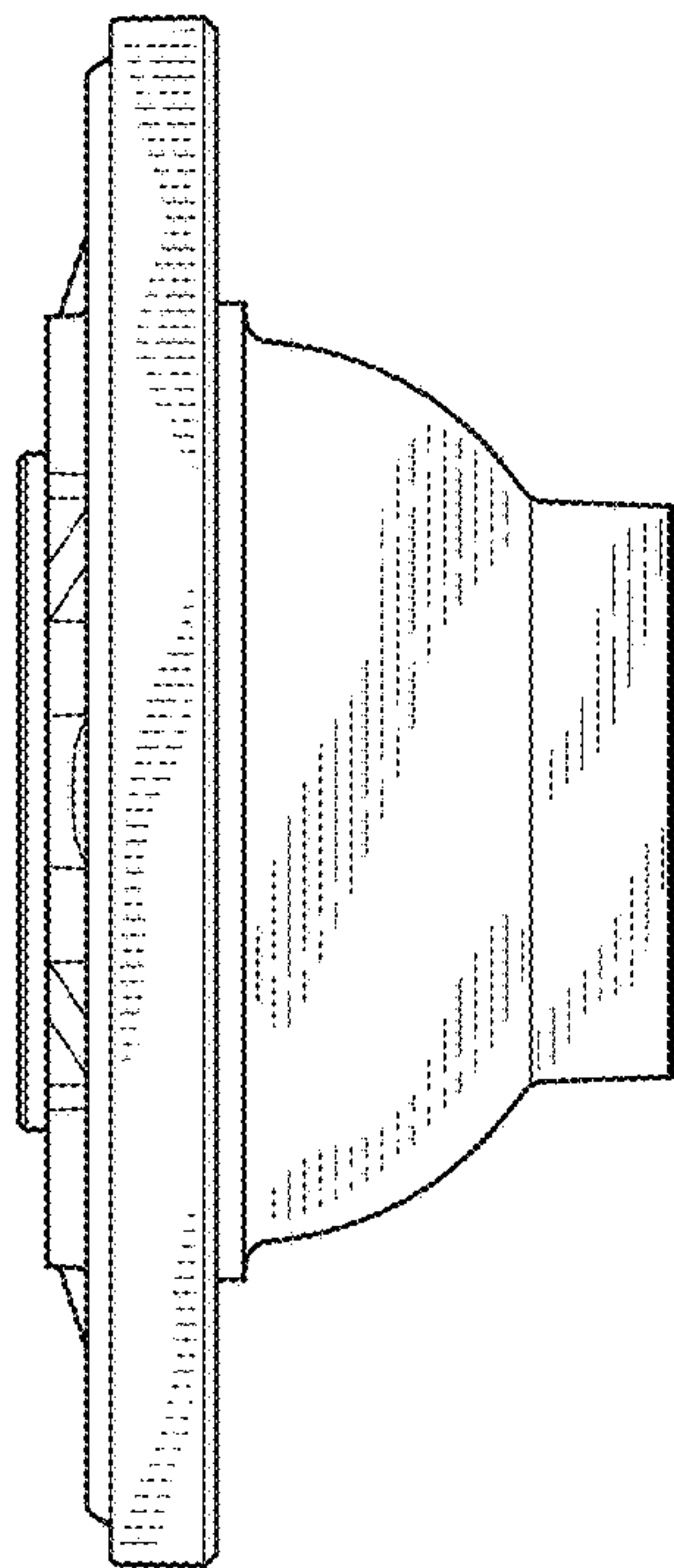


FIG. 29

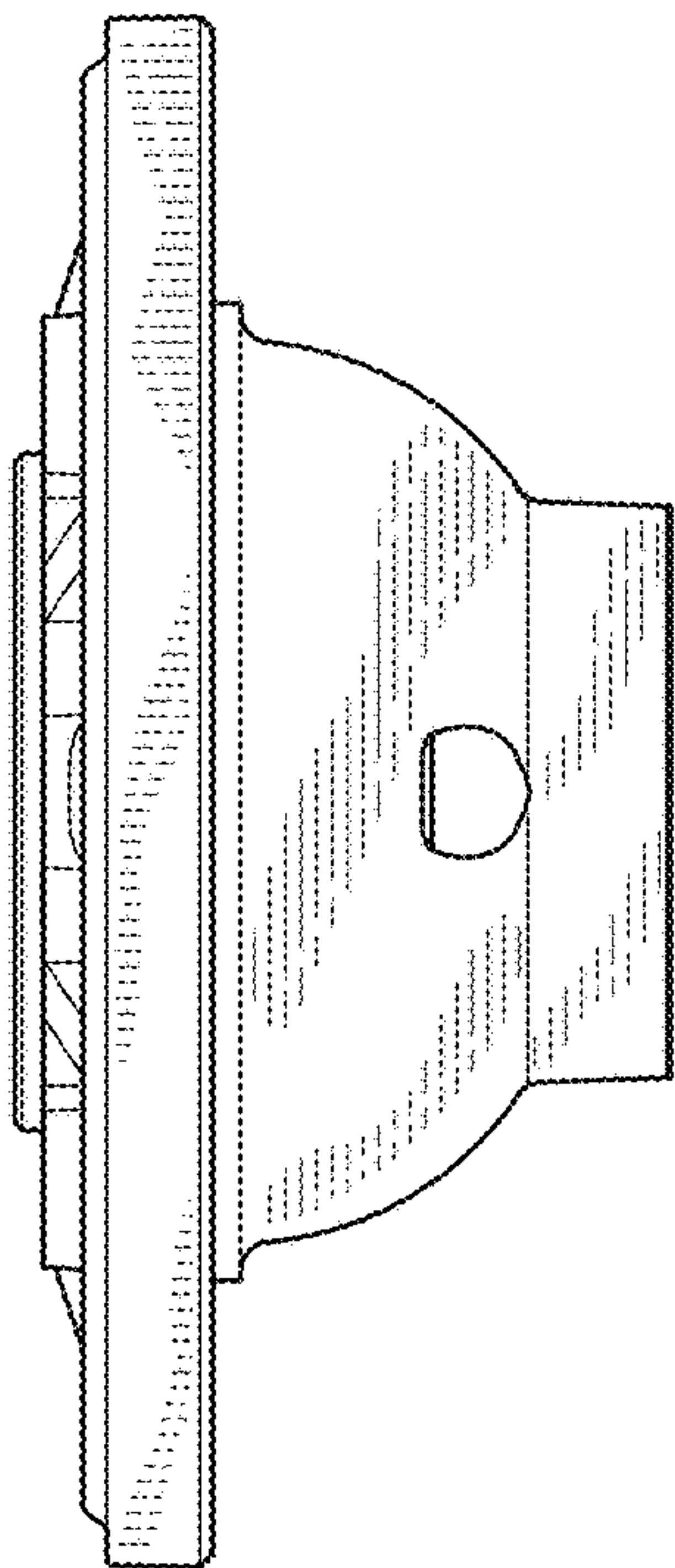


FIG. 30