



US00D776031S

(12) **United States Design Patent**
Holman

(10) **Patent No.:** **US D776,031 S**

(45) **Date of Patent:** **** Jan. 10, 2017**

(54) **EXHAUST PIPE TIP**

(71) Applicant: **Raymond A. Holman**, Grand Rapids,
MI (US)

(72) Inventor: **Raymond A. Holman**, Grand Rapids,
MI (US)

(**) Term: **14 Years**

(21) Appl. No.: **29/522,339**

(22) Filed: **Mar. 30, 2015**

(51) **LOC (10) Cl.** **12-16**

(52) **U.S. Cl.**
USPC **D12/194**

(58) **Field of Classification Search**
USPC D12/194; D15/5
CPC F01N 13/082; F01N 13/1805; F01N 13/20
See application file for complete search history.

(56) **References Cited**

U.S. PATENT DOCUMENTS

D351,579 S	10/1994	Simpson	
D447,456 S	9/2001	Larson et al.	
D465,181 S *	11/2002	Wang	D12/194
D523,796 S	6/2006	Marques et al.	
D563,301 S *	3/2008	Douglas	D12/194

D605,100 S *	12/2009	Douglas	D12/194
D654,839 S	2/2012	Contreras	
D740,733 S *	10/2015	Rich	D12/194
D747,746 S *	1/2016	Giordano	D12/114

* cited by examiner

Primary Examiner — Michael A Pratt

(74) *Attorney, Agent, or Firm* — Gardner, Linn, Burkhardt & Flory, LLP

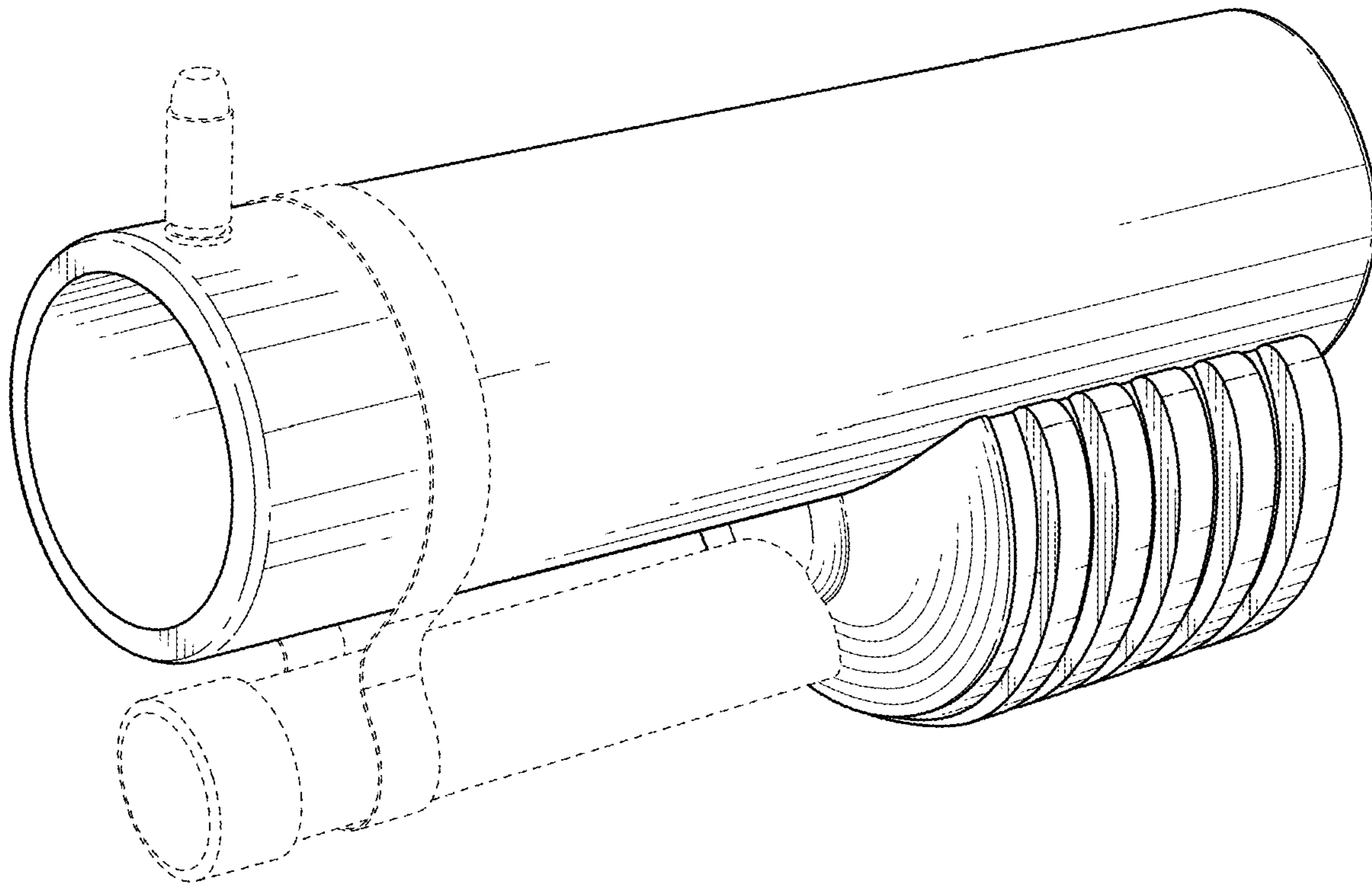
(57) **CLAIM**

The ornamental design for an exhaust pipe tip, as shown and described.

DESCRIPTION

FIG. 1 is a top perspective view of an exhaust pipe tip showing the new design;
 FIG. 2 is a front elevation of the exhaust pipe tip of FIG. 1;
 FIG. 3 is a right side elevation of the exhaust pipe tip of FIG. 1, wherein a left side elevation view is a mirror image of FIG. 2;
 FIG. 4 is a top plan view of the exhaust pipe tip of FIG. 1;
 and,
 FIG. 5 is a bottom plan view of the exhaust pipe tip of FIG. 1.
 A rear elevation of the exhaust pipe tip constitutes no part of the claimed design. In the drawings, the broken lines depict unclaimed subject matter only and form no part of the claimed design.

1 Claim, 2 Drawing Sheets



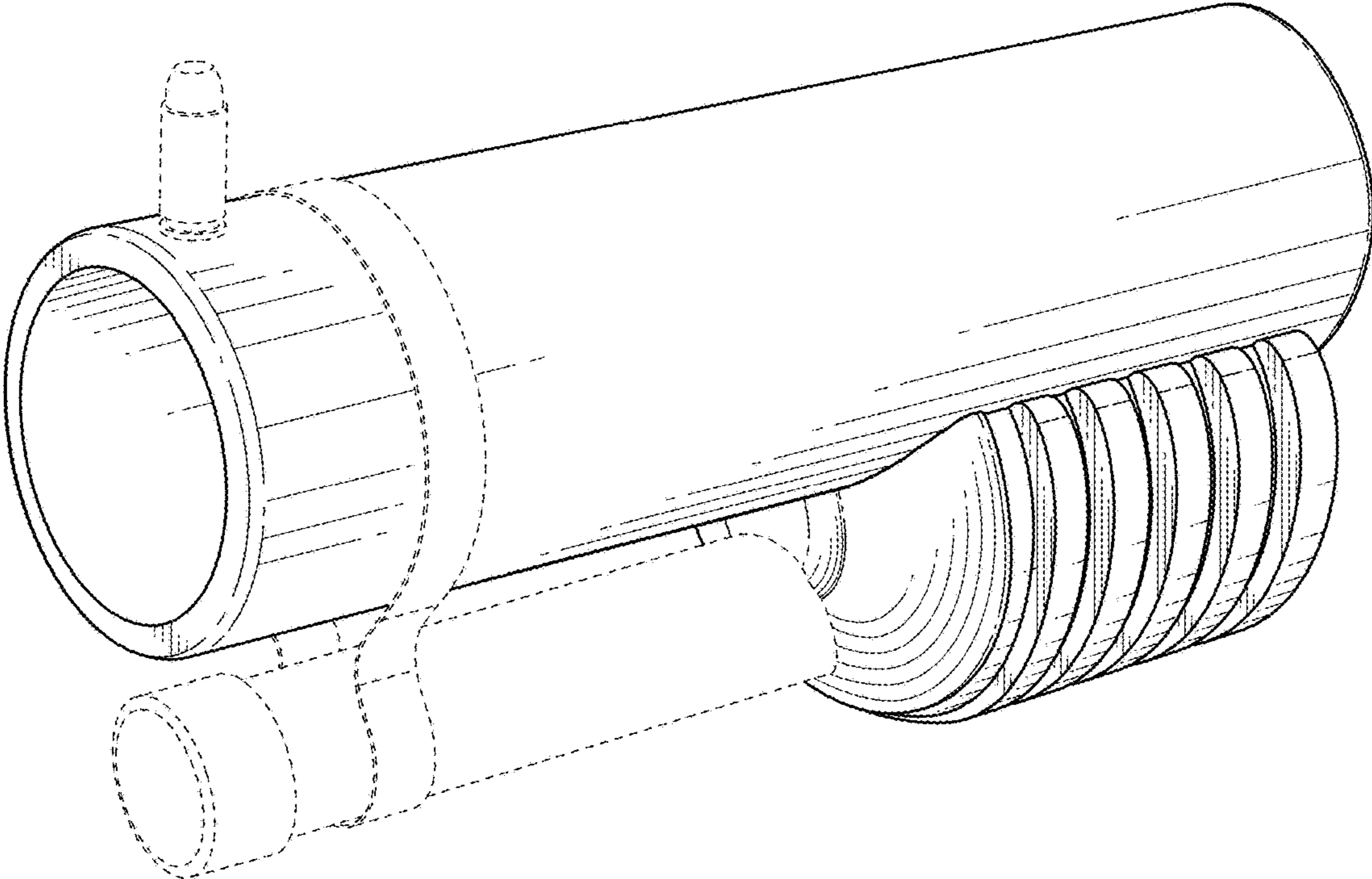


FIG. 1

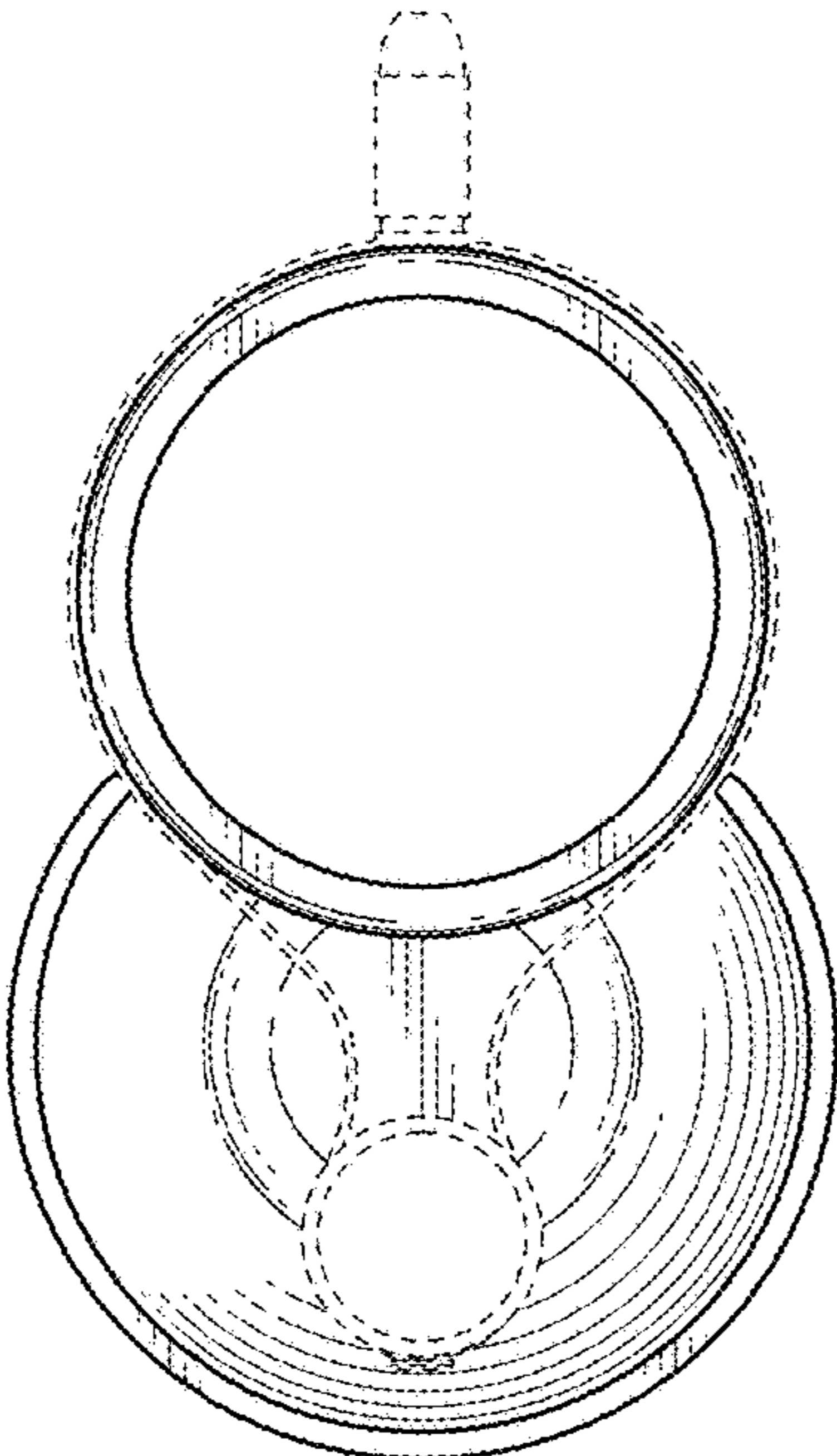


FIG. 2

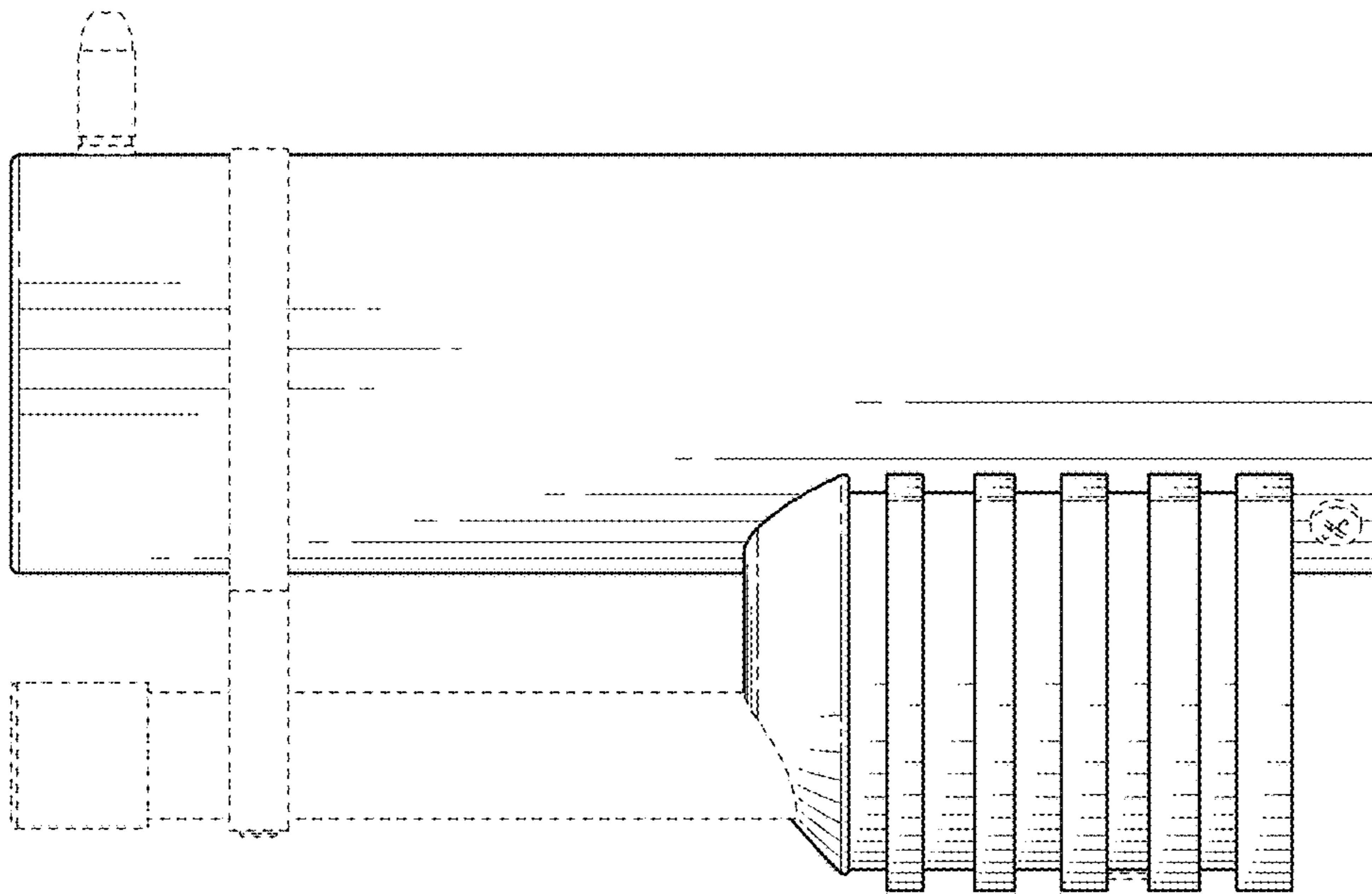


FIG. 3

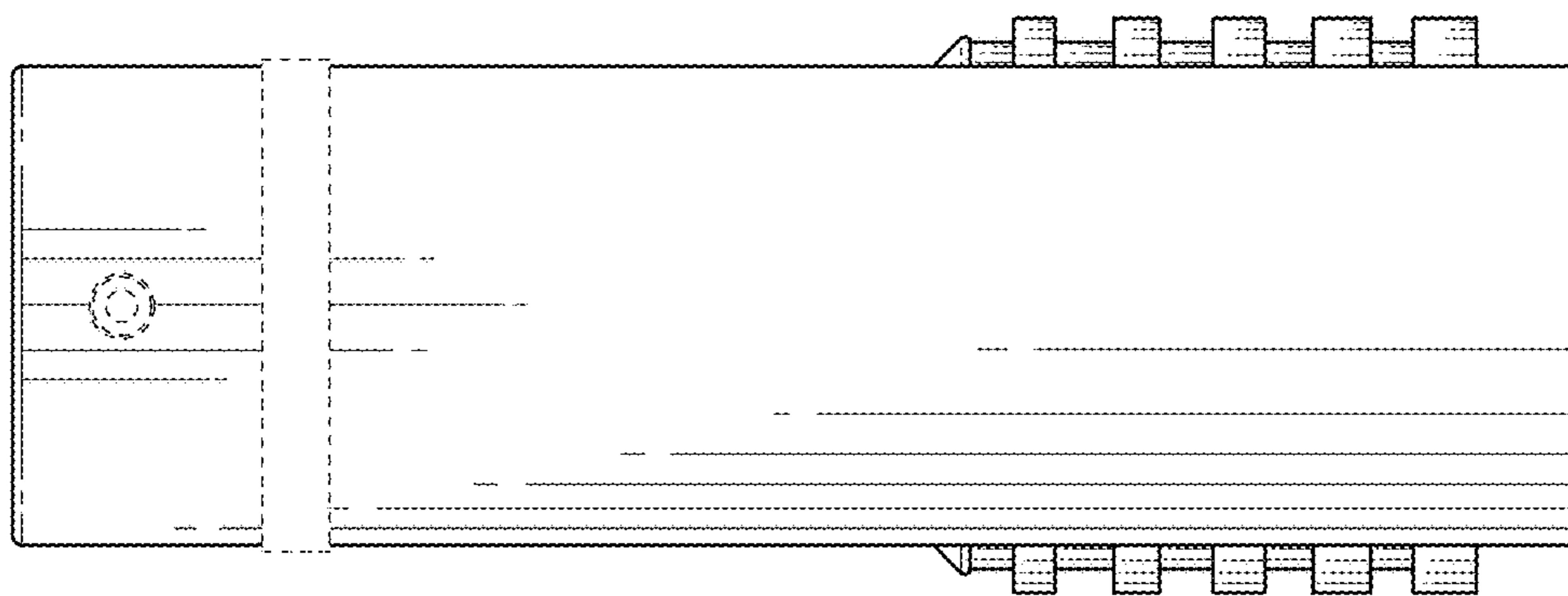


FIG. 4

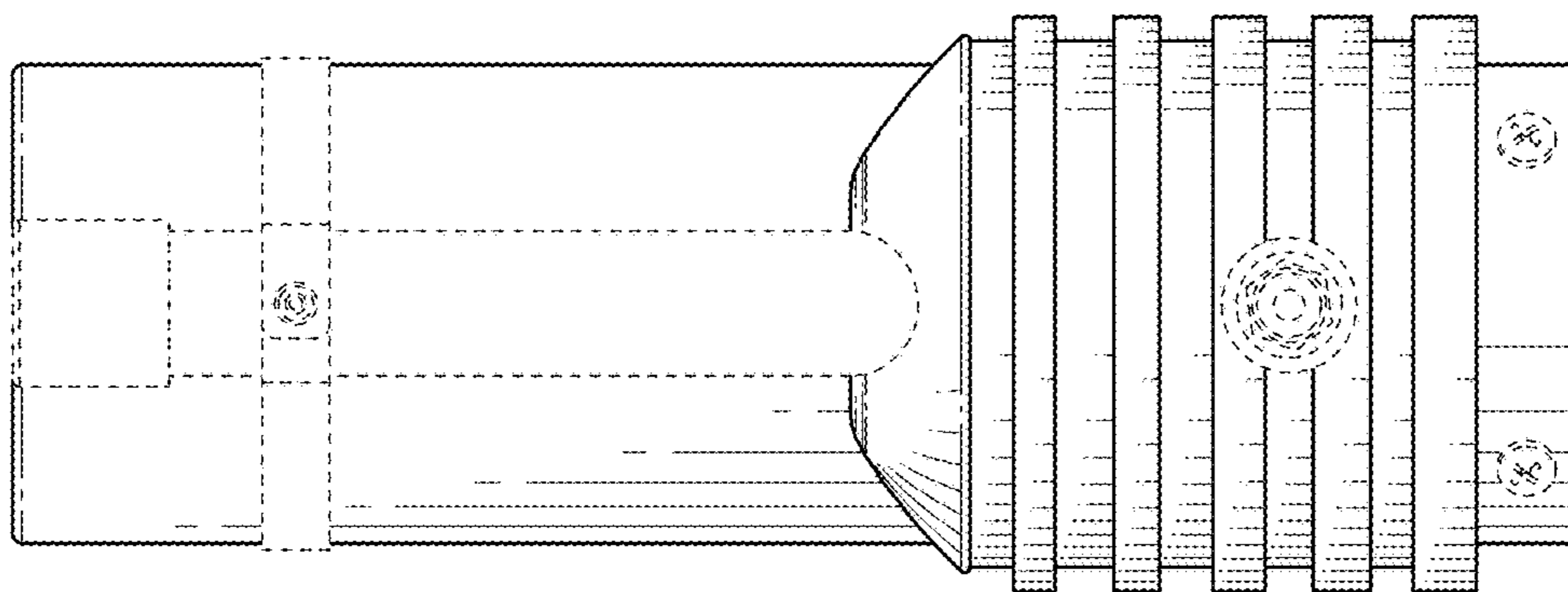


FIG. 5