



US00D776030S

(12) **United States Design Patent**  
**Nathan et al.**

(10) **Patent No.:** **US D776,030 S**  
(45) **Date of Patent:** **\*\* Jan. 10, 2017**

(54) **LICENSE PLATE FRAME WITH FOOTBALL HELMET AND FACE MASK**

(71) Applicants: **Reuben D Nathan**, Newport Beach, CA (US); **Neil Mason**, Newport Beach, CA (US)

(72) Inventors: **Reuben D Nathan**, Newport Beach, CA (US); **Neil Mason**, Newport Beach, CA (US)

(\*\*) Term: **14 Years**

(21) Appl. No.: **29/510,505**

(22) Filed: **Nov. 29, 2014**

(51) **LOC (10) Cl.** ..... **12-16**

(52) **U.S. Cl.**  
USPC ..... **D12/193**

(58) **Field of Classification Search**  
USPC ..... D12/193, 162, 400; D29/111; D20/13, D20/29, 27; D6/300, 301, 303, 309, D6/310-314  
CPC .. B60R 13/10; B60R 13/105; B60R 2011/004; G09F 21/04  
See application file for complete search history.

(56) **References Cited**

**U.S. PATENT DOCUMENTS**

D280,460 S *	9/1985	Gronborg .....	D29/111
D289,568 S *	4/1987	Nimmons .....	D29/111
D298,868 S *	12/1988	Klindt .....	D29/111
D381,127 S *	7/1997	Rothwell .....	D29/111
D382,241 S *	8/1997	Moureaux .....	D12/193
D396,561 S *	8/1998	Gregory .....	D6/303
D463,885 S *	10/2002	Burns .....	D29/111
D508,298 S *	8/2005	Bernacchi .....	D29/111
D557,647 S *	12/2007	Parenti .....	D12/193
7,316,433 B2 *	1/2008	Levine .....	B60R 19/00 293/102
D576,934 S *	9/2008	Hirth .....	D12/193
D590,311 S *	4/2009	Pacleb .....	D12/193

D623,106 S *	9/2010	Hu .....	D12/193
D644,582 S *	9/2011	Palmer .....	D12/193
D654,227 S *	2/2012	Stout .....	D29/111
D663,663 S *	7/2012	Perez .....	D12/193

(Continued)

**OTHER PUBLICATIONS**

Champro Softball Defensive Facemask, "The Grill"—Youth, posted on amazon.com, earliest product review posted Apr. 12, 2014. [online], [site visited Aug. 17, 2016], Available from Internet, <URL: <https://www.amazon.com/Champro-Softball-Defensive-Facemask-Grill/dp/B00HNV7NOK>>.\*

(Continued)

*Primary Examiner* — Eric Goodman

*Assistant Examiner* — Fritzgerald Butac

(74) *Attorney, Agent, or Firm* — William L. Chapin

(57) **CLAIM**

The ornamental design for a license plate frame with football helmet and face mask, as shown and described.

**DESCRIPTION**

FIG. 1 is a front perspective view of a license plate frame with football helmet and face mask according to the present invention, showing the frame attached to a vehicle and holding a license plate.

FIG. 2 is another front perspective view thereof.

FIG. 3 is a front elevation view thereof.

FIG. 4 is a right side elevation view thereof, the left side elevation view being a mirror image thereof.

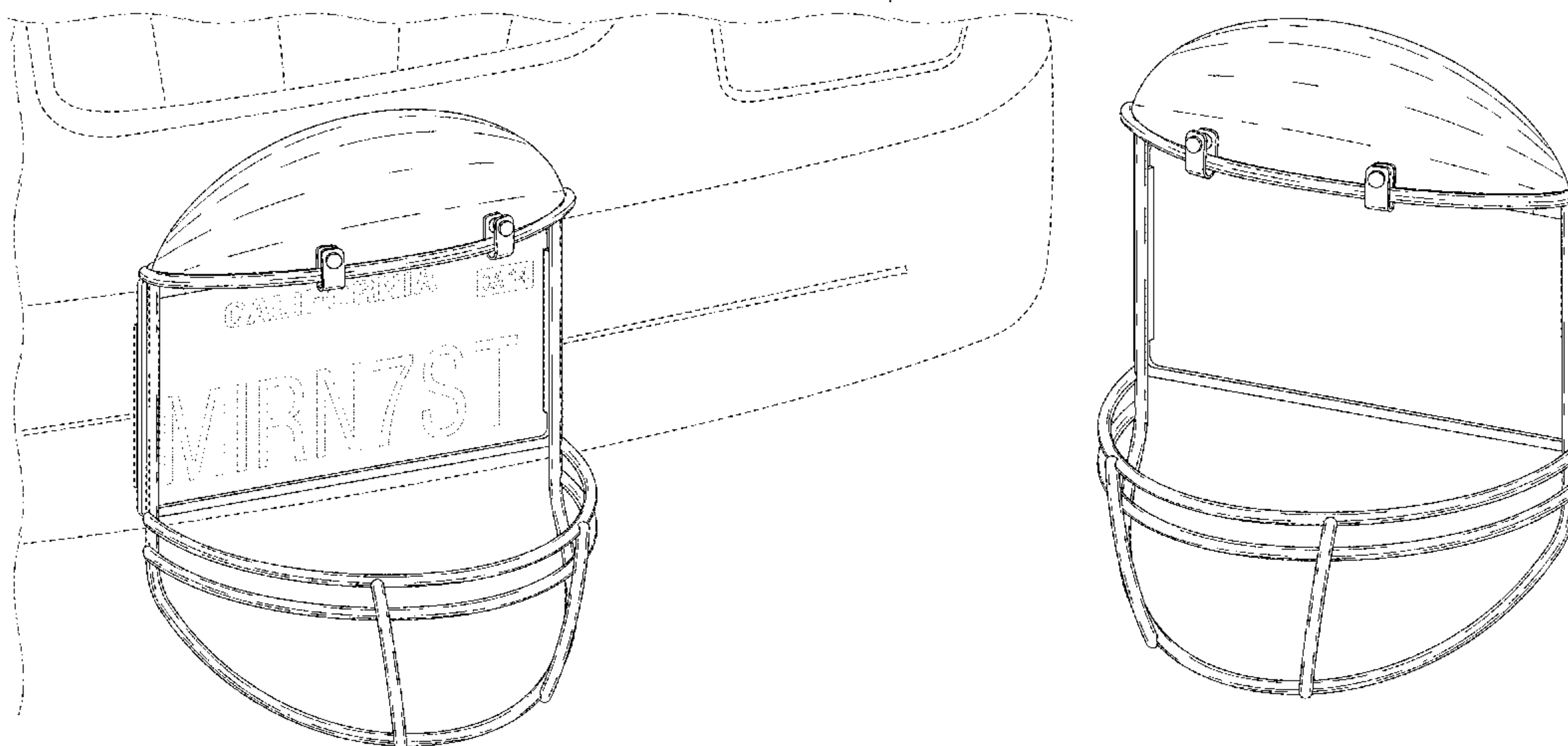
FIG. 5 is a top view thereof.

FIG. 6 is a bottom view thereof; and,

FIG. 7 is a rear elevation view thereof.

The broken line showing is for the purpose of illustrating environmental subject matter and forms no part of the claimed design.

**1 Claim, 6 Drawing Sheets**



(56)

**References Cited**

U.S. PATENT DOCUMENTS

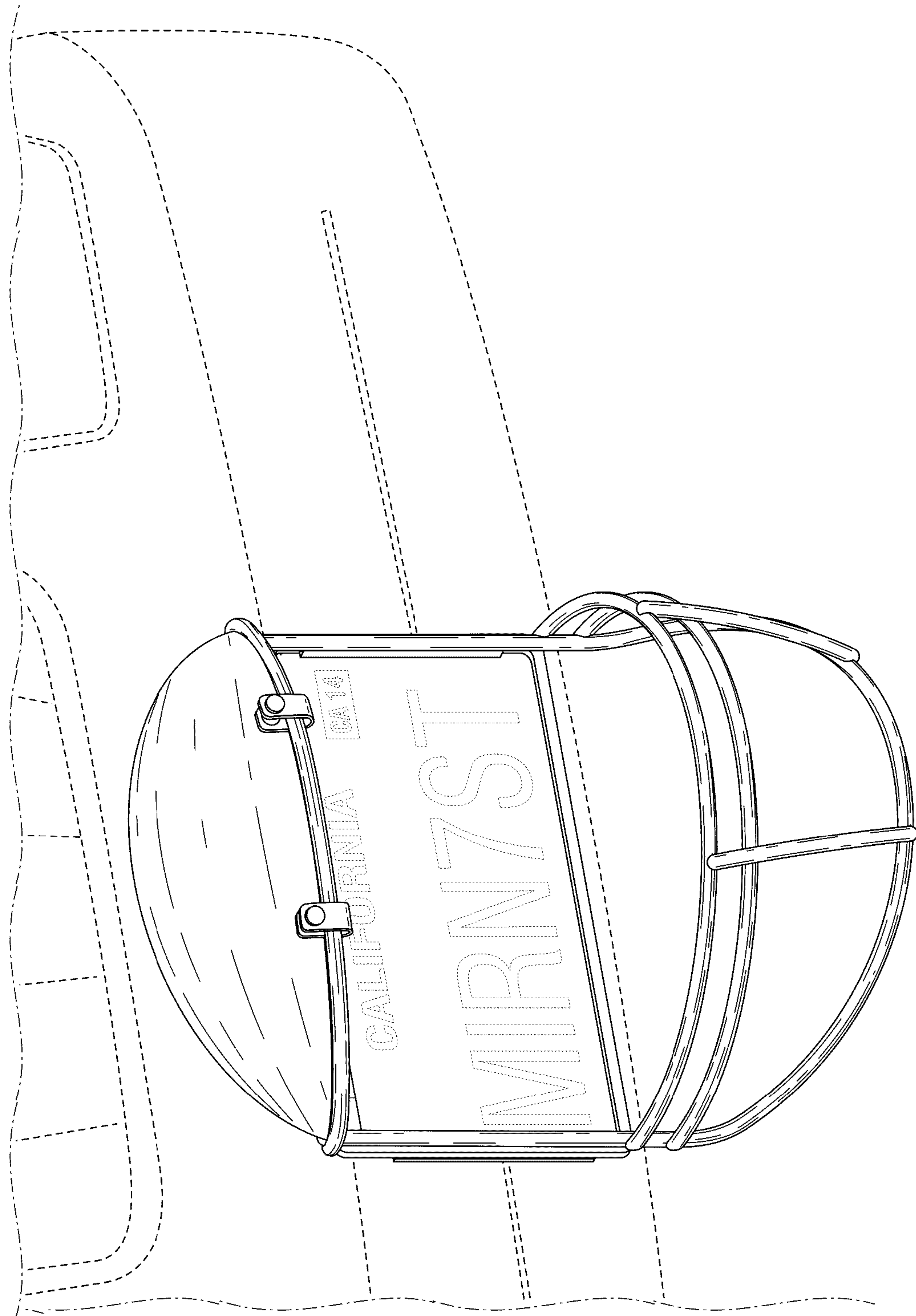
D672,297 S \* 12/2012 Dong ..... D12/193  
D677,204 S \* 3/2013 Perez ..... D12/193  
D714,697 S \* 10/2014 Perez ..... D12/193

OTHER PUBLICATIONS

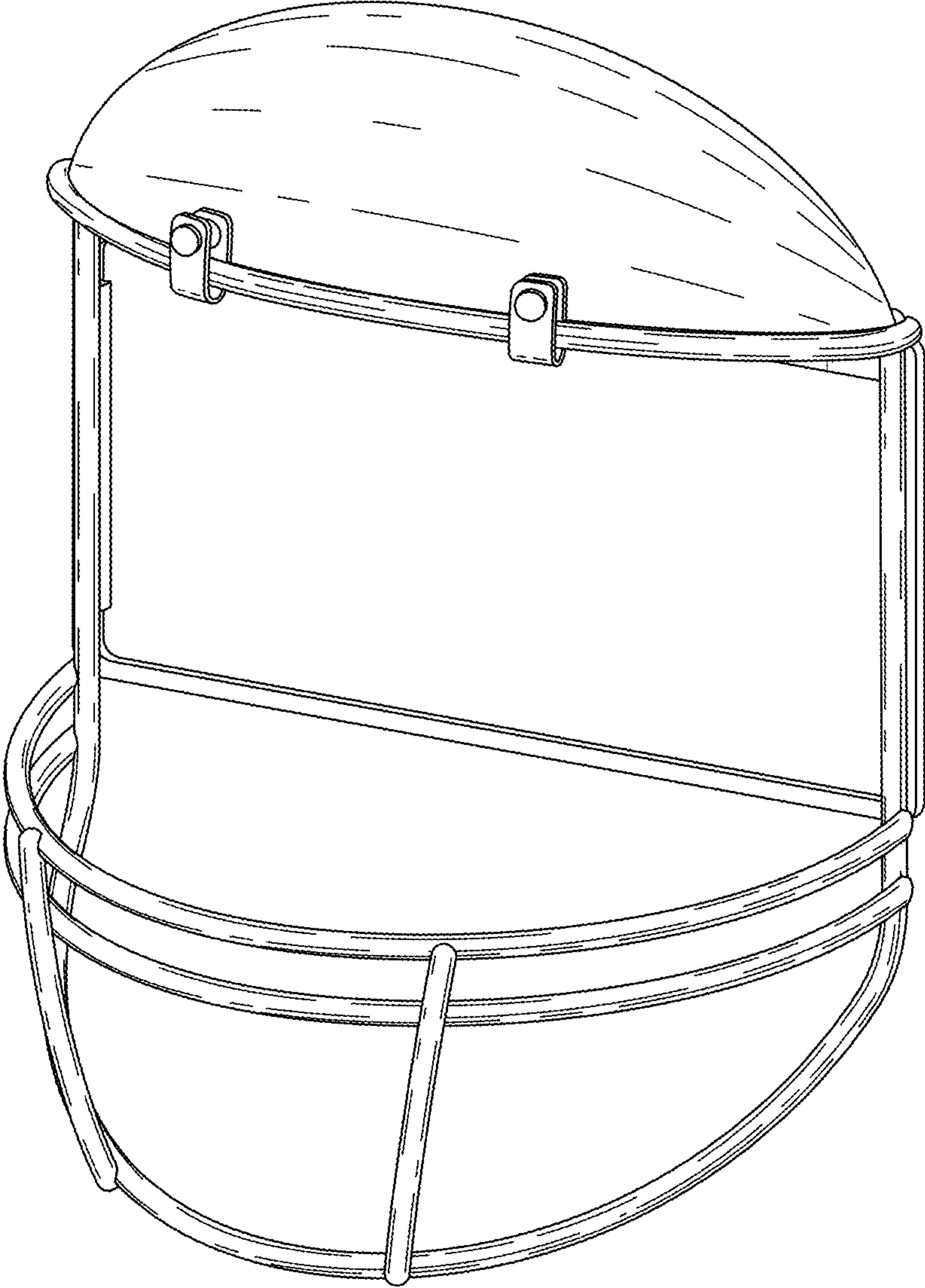
Interview on 4Bumpers, posted at youtube.com, posted Feb. 24, 2010, [online], [site visited Aug. 17, 2016], Available on internet, <URL: [https://www.youtube.com/watch?v=B\\_0l-806nFU](https://www.youtube.com/watch?v=B_0l-806nFU)>.\*

\* cited by examiner

Fig. 1

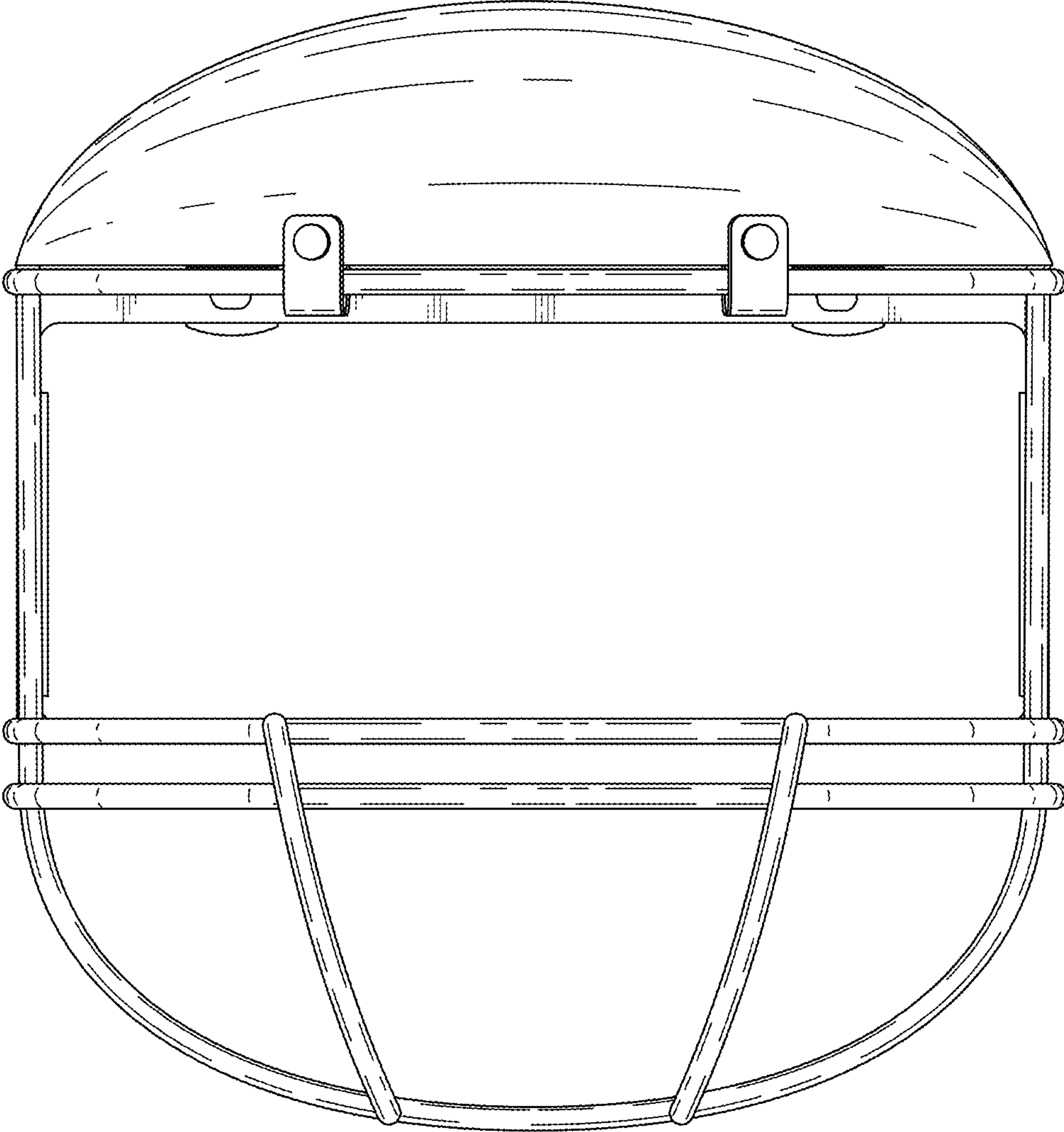


*Fig. 2*

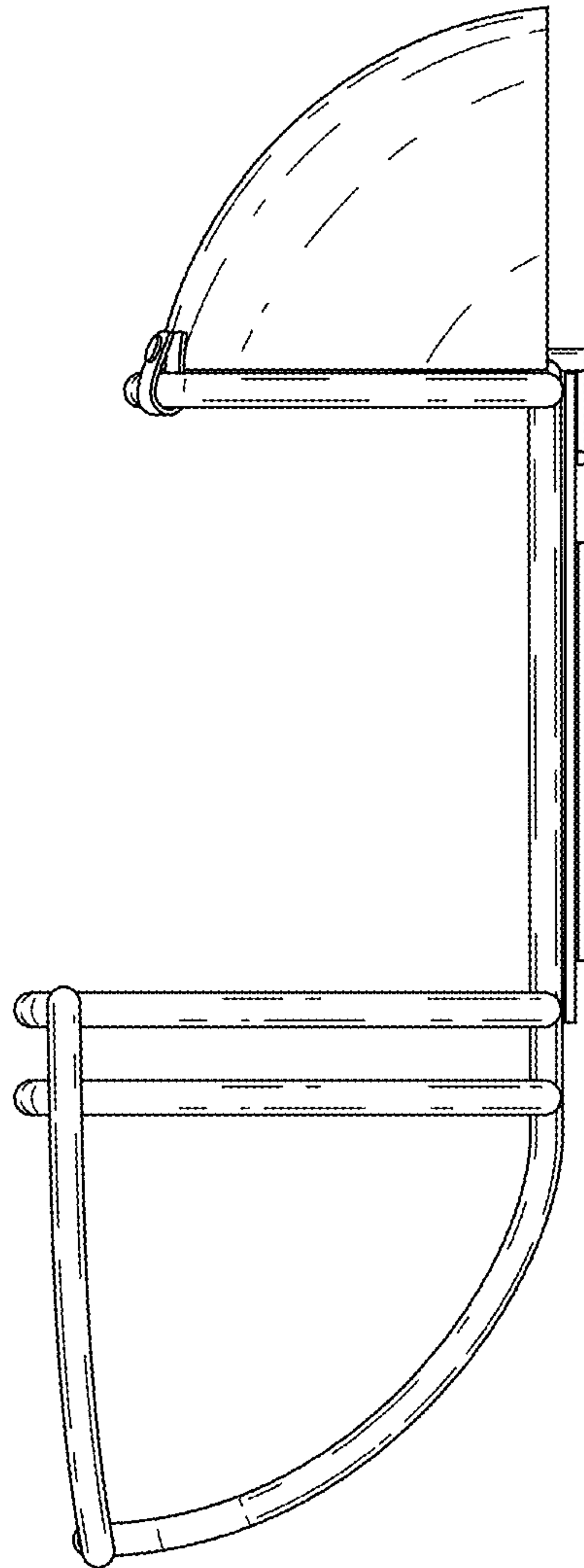




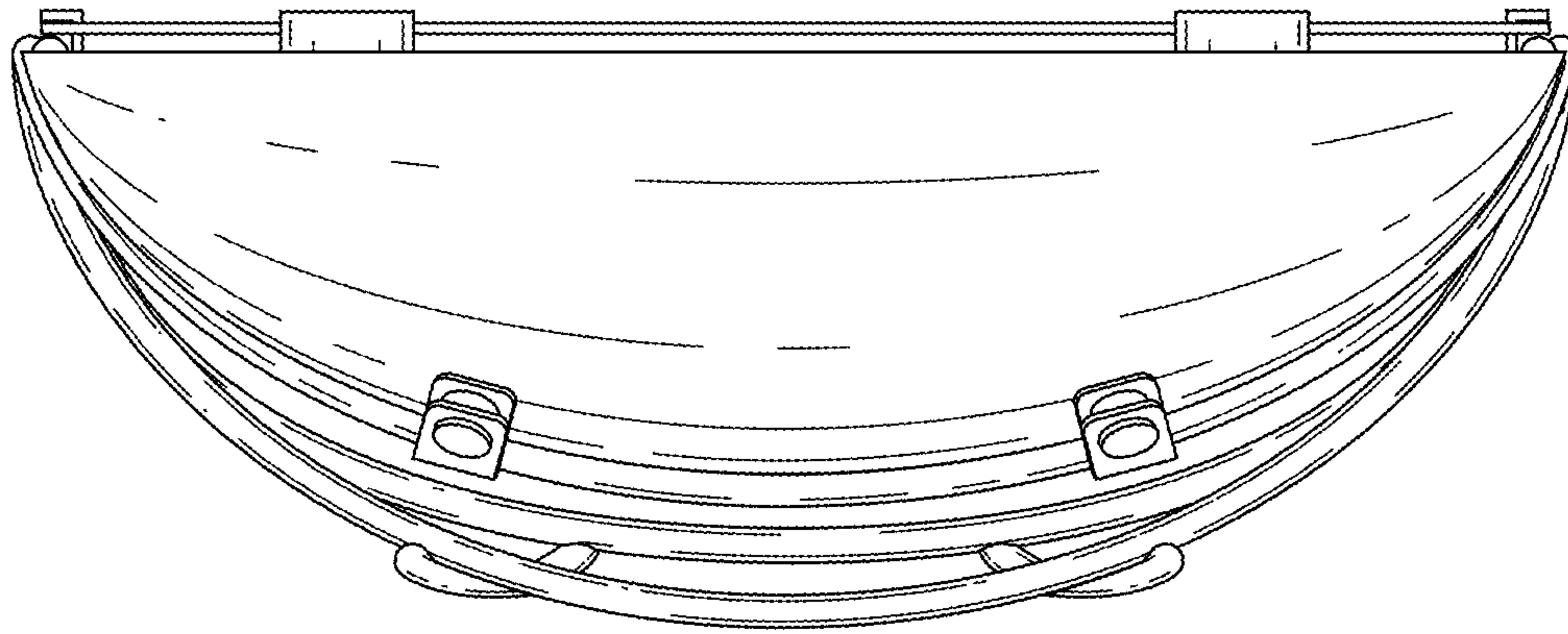
*Fig. 3*



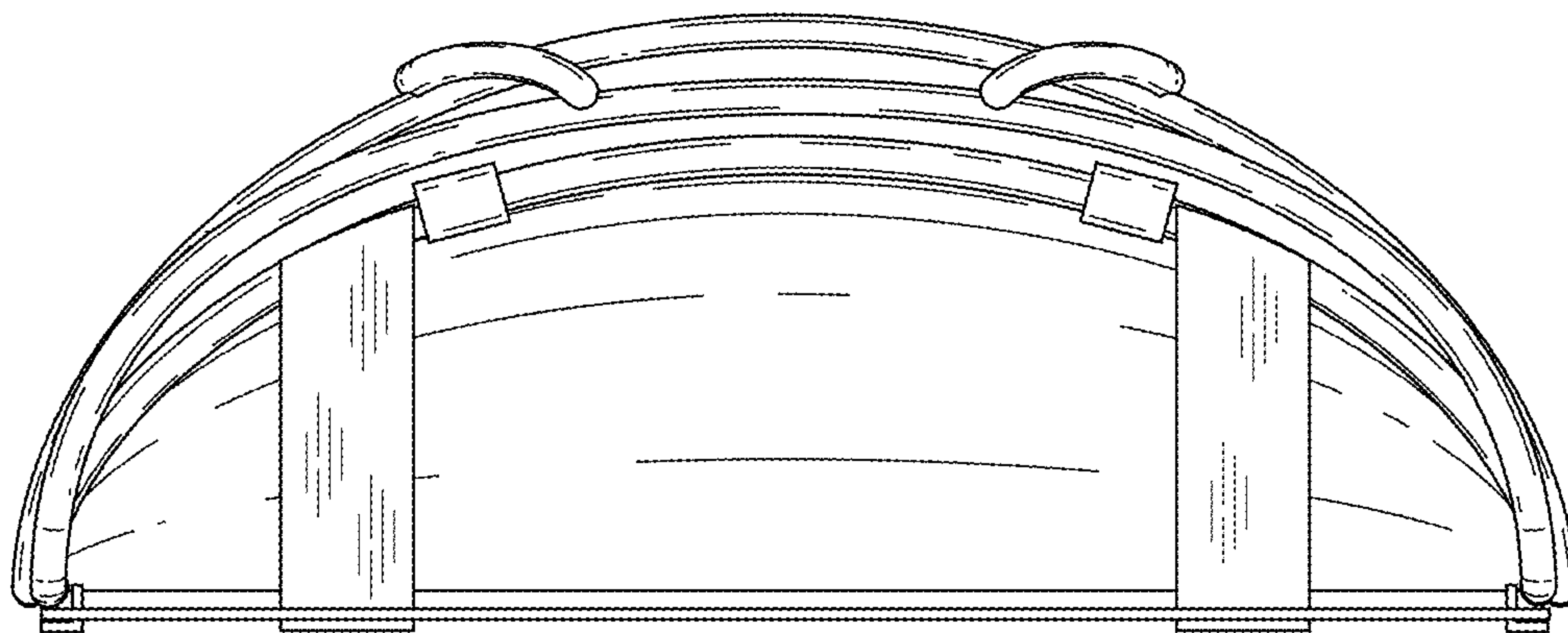
*Fig. 4*



*Fig. 5*



*Fig. 6*



*Fig. 7*

