



US00D776029S

(12) **United States Design Patent**
Callum et al.

(10) **Patent No.:** **US D776,029 S**
(45) **Date of Patent:** **** Jan. 10, 2017**

- (54) **VEHICLE INSTRUMENT PANEL**
- (71) Applicant: **Ford Global Technologies, LLC**,
Dearborn, MI (US)
- (72) Inventors: **Moray S. Callum**, Ann Arbor, MI
(US); **Soo Kang-Morales**, Northville,
MI (US); **James Smithbauer**, West
Bloomfield, MI (US); **Rick Mason**,
Novi, MI (US); **David Woodhouse**,
Troy, MI (US)
- (73) Assignee: **Ford Global Technologies, LLC**,
Dearborn, MI (US)
- (**) Term: **15 Years**
- (21) Appl. No.: **29/505,613**
- (22) Filed: **Dec. 23, 2015**
- (51) **LOC (10) Cl.** **12-16**
- (52) **U.S. Cl.**
USPC **D12/192**
- (58) **Field of Classification Search**
USPC D12/192, 415, 110, 114; D15/17, 28;
D10/122-127
CPC ... G08G 1/096883; G01C 21/30; G01C 21/16;
G01C 21/3688
See application file for complete search history.

- D727,231 S * 4/2015 Narita D12/192
- D730,793 S * 6/2015 Ishikawa D12/192
- D731,940 S * 6/2015 Okabe D12/192
- D733,021 S * 6/2015 Takagi D12/192
- D737,186 S * 8/2015 Nakao D12/192
- D762,152 S * 7/2016 Inagaki D12/192
- D763,154 S * 8/2016 Chang D12/192
- D763,155 S * 8/2016 Sahs D12/192

* cited by examiner

Primary Examiner — Katrina A Betton
(74) *Attorney, Agent, or Firm* — Damian Porcari

(56) **References Cited**

U.S. PATENT DOCUMENTS

- D705,711 S * 5/2014 Yamamoto D12/192
- D726,612 S * 4/2015 Wiedeman D12/192

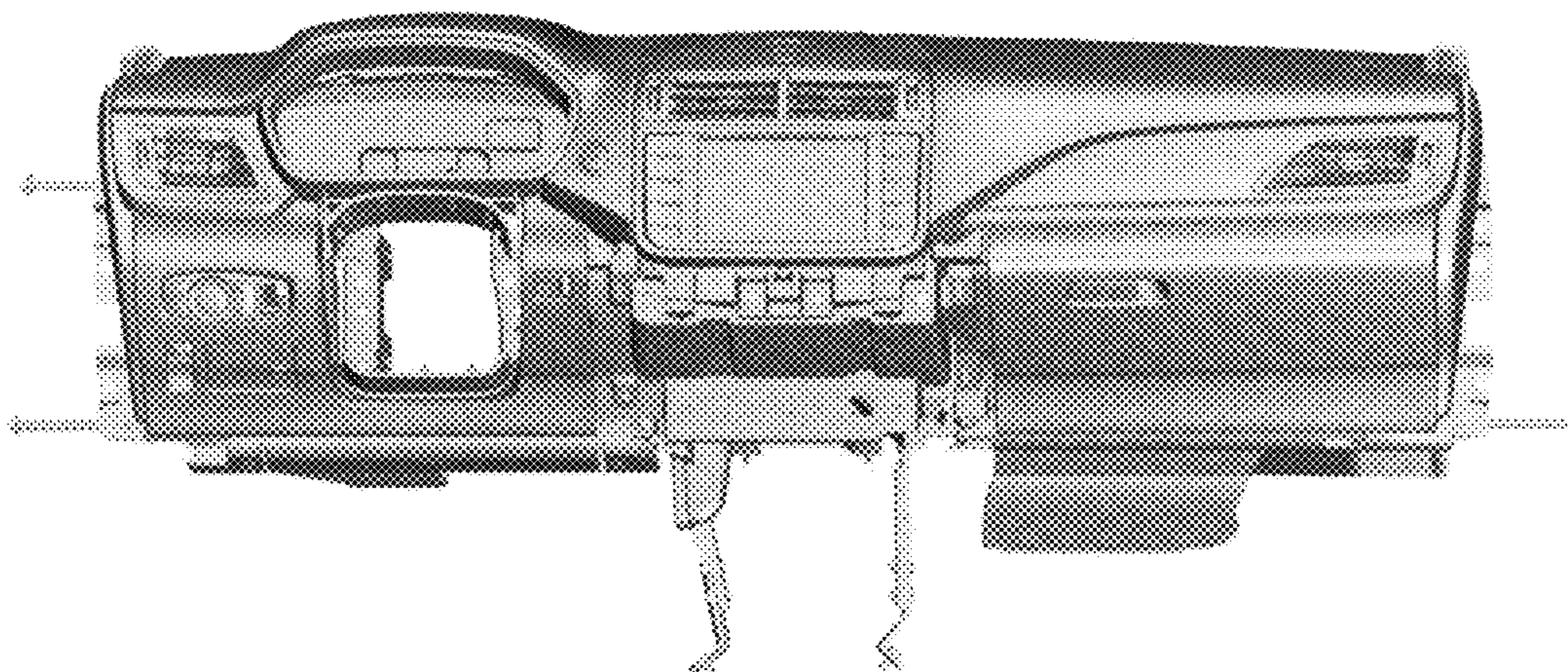
(57) **CLAIM**

The ornamental design for a vehicle instrument panel, as shown and described.

DESCRIPTION

FIG. 1 is a top, front, and left side perspective view of the vehicle instrument panel, showing our new design; FIG. 2 is a bottom, front, and left side perspective view thereof; FIG. 3 is a top rear perspective view thereof; FIG. 4 is a front elevational view thereof; FIG. 5 is a rear elevational view thereof; FIG. 6 is a left side elevational view thereof; FIG. 7 is a right side elevational view thereof; FIG. 8 is a top plan view thereof; and, FIG. 9 is a bottom plan view thereof.

1 Claim, 9 Drawing Sheets



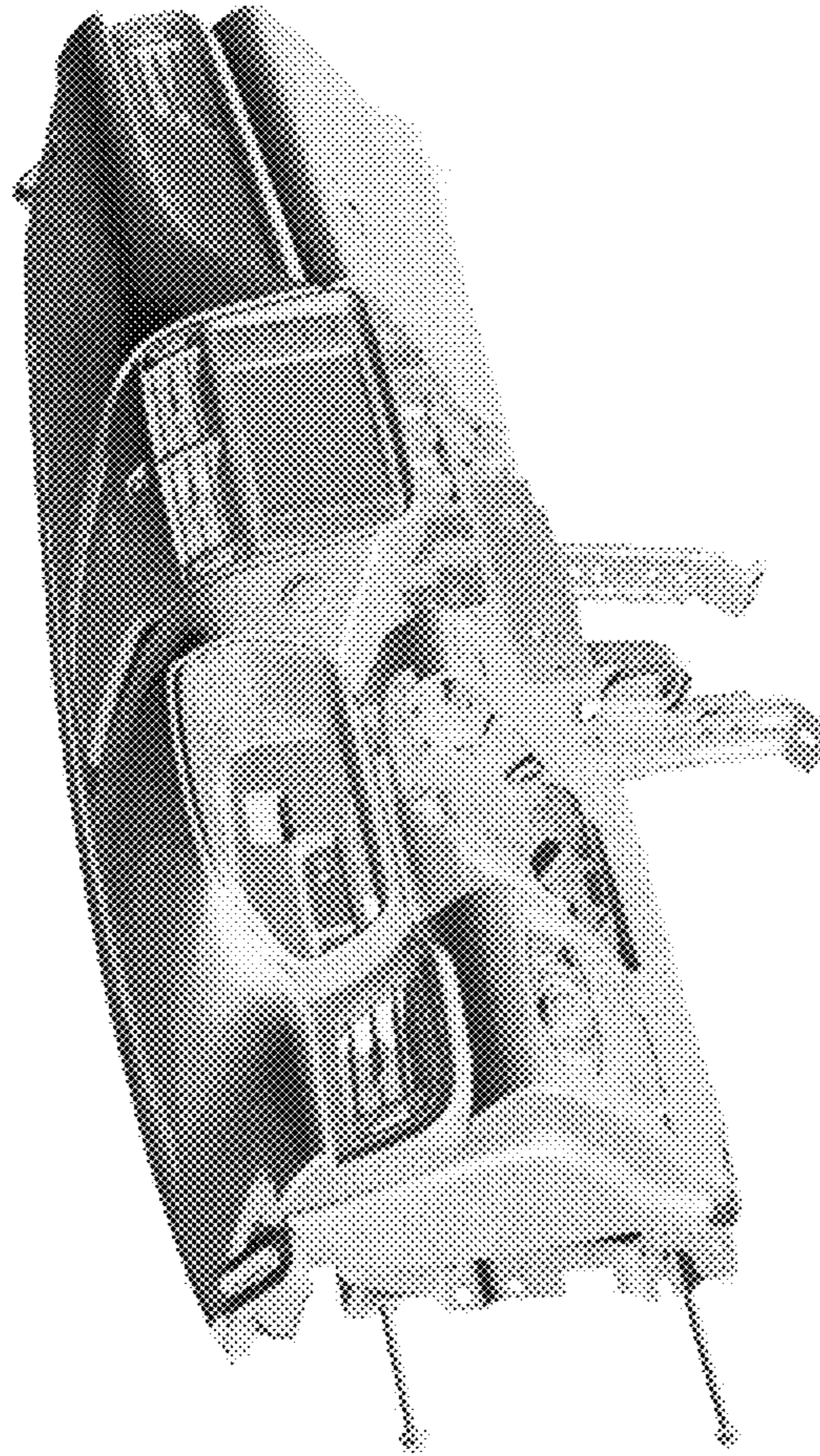


Figure 1

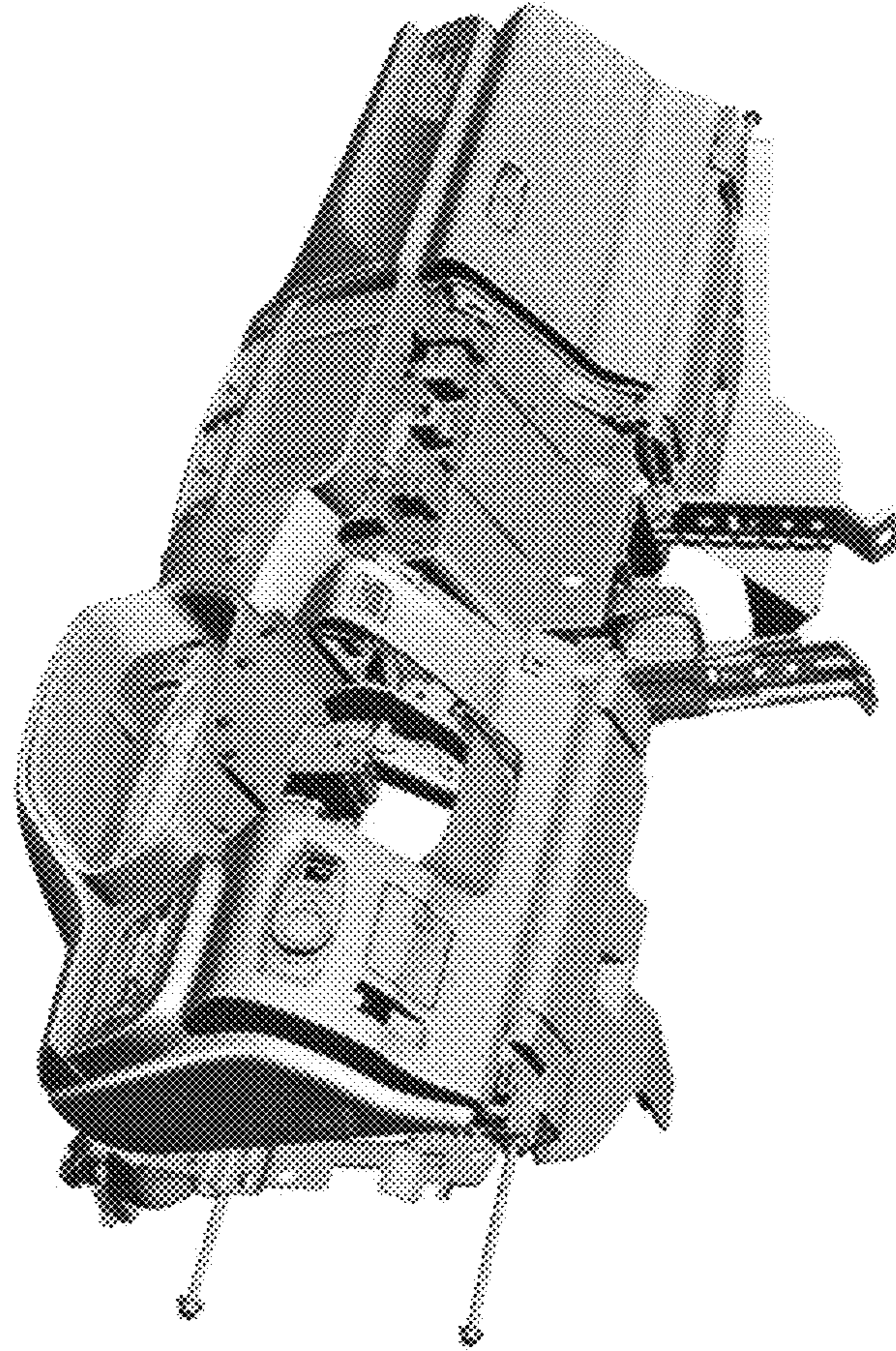


Figure 2

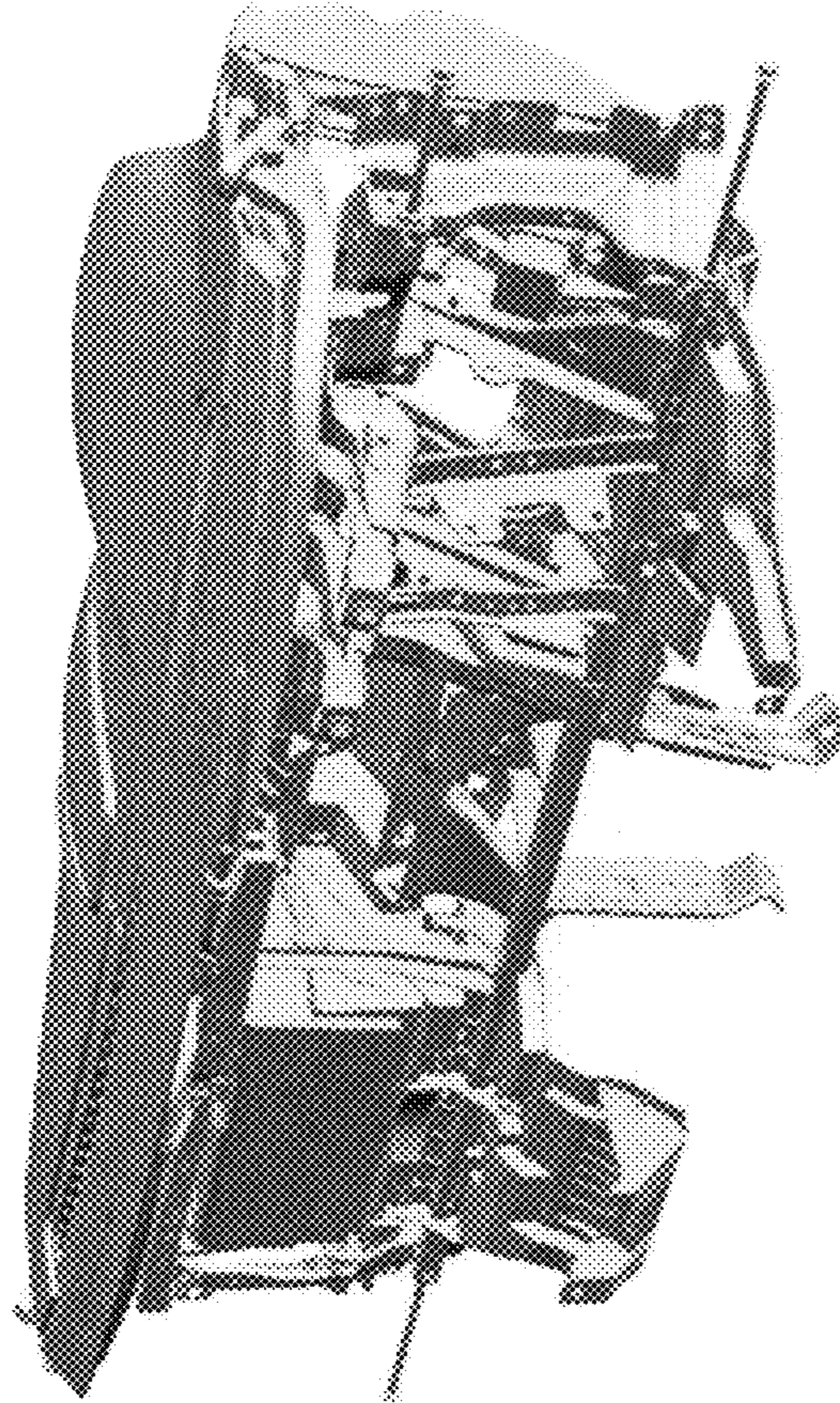


Figure 3

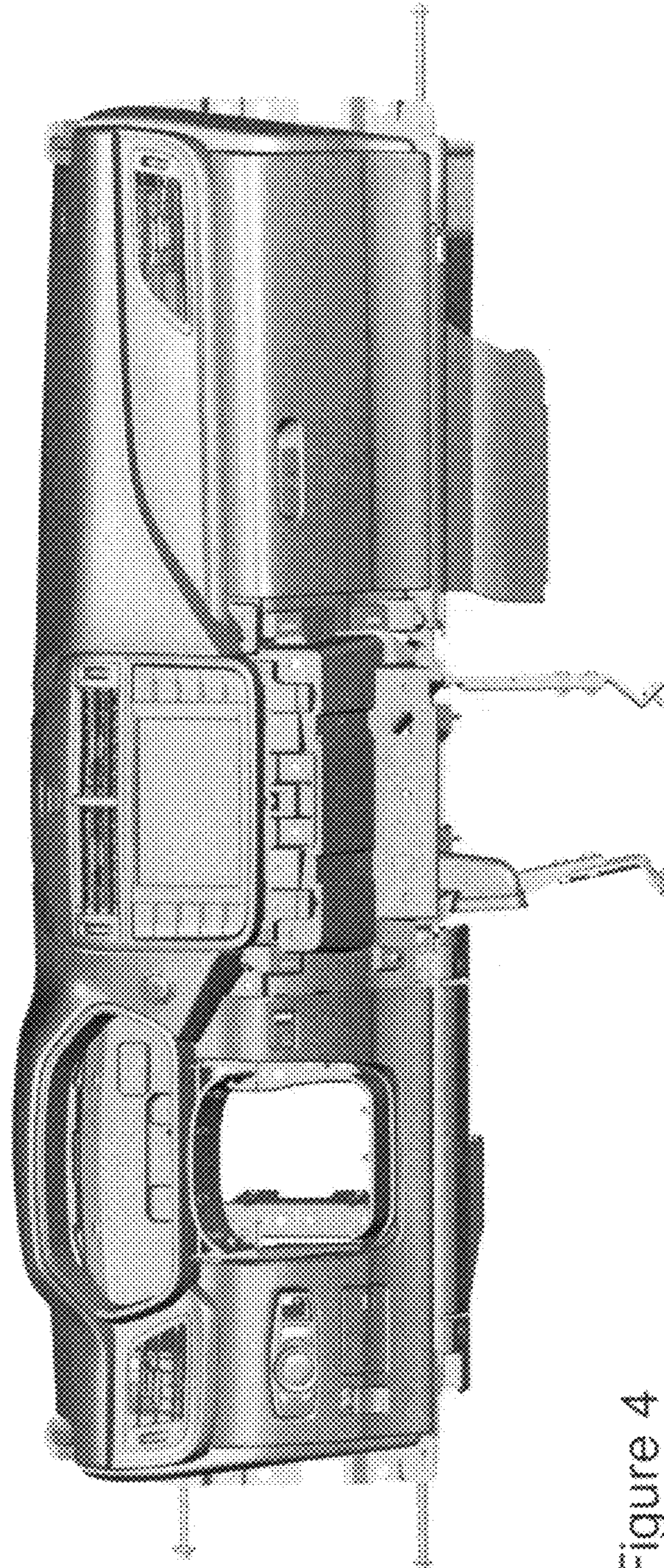


Figure 4

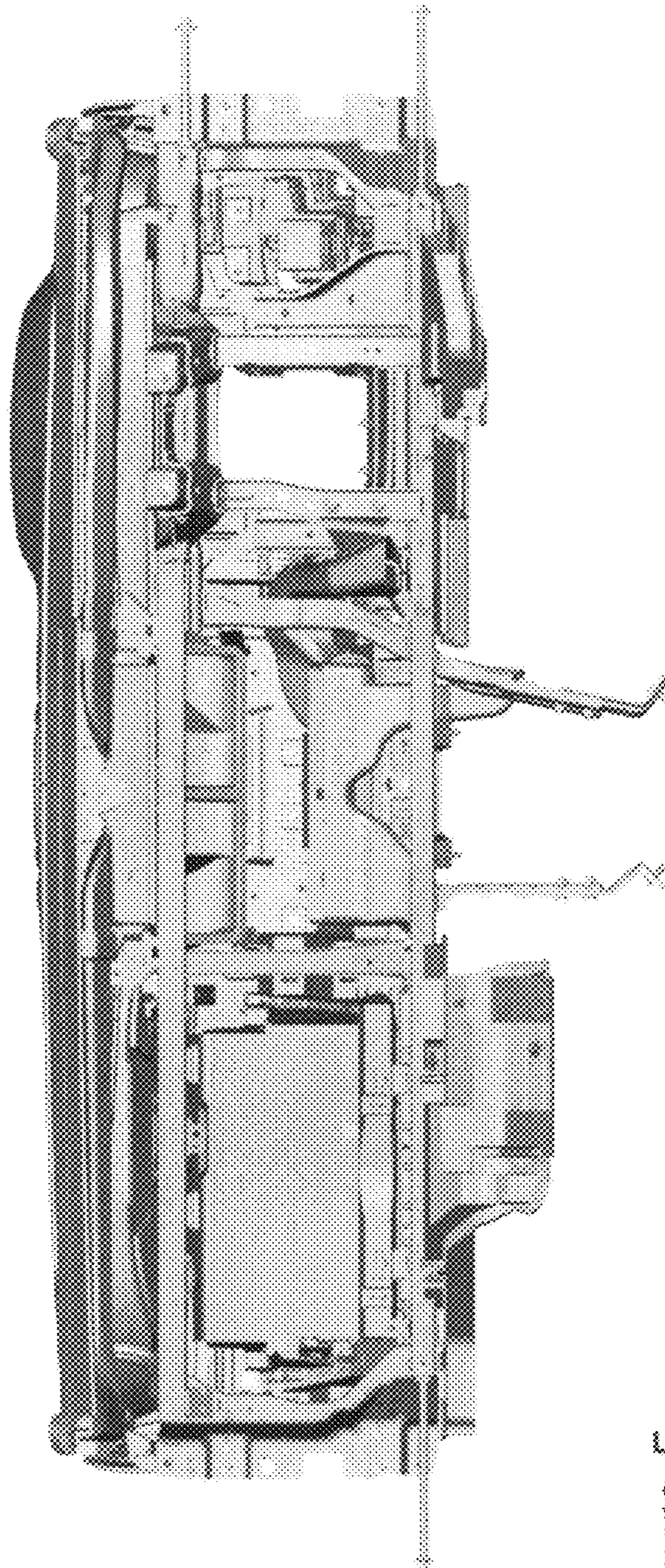


Figure 5

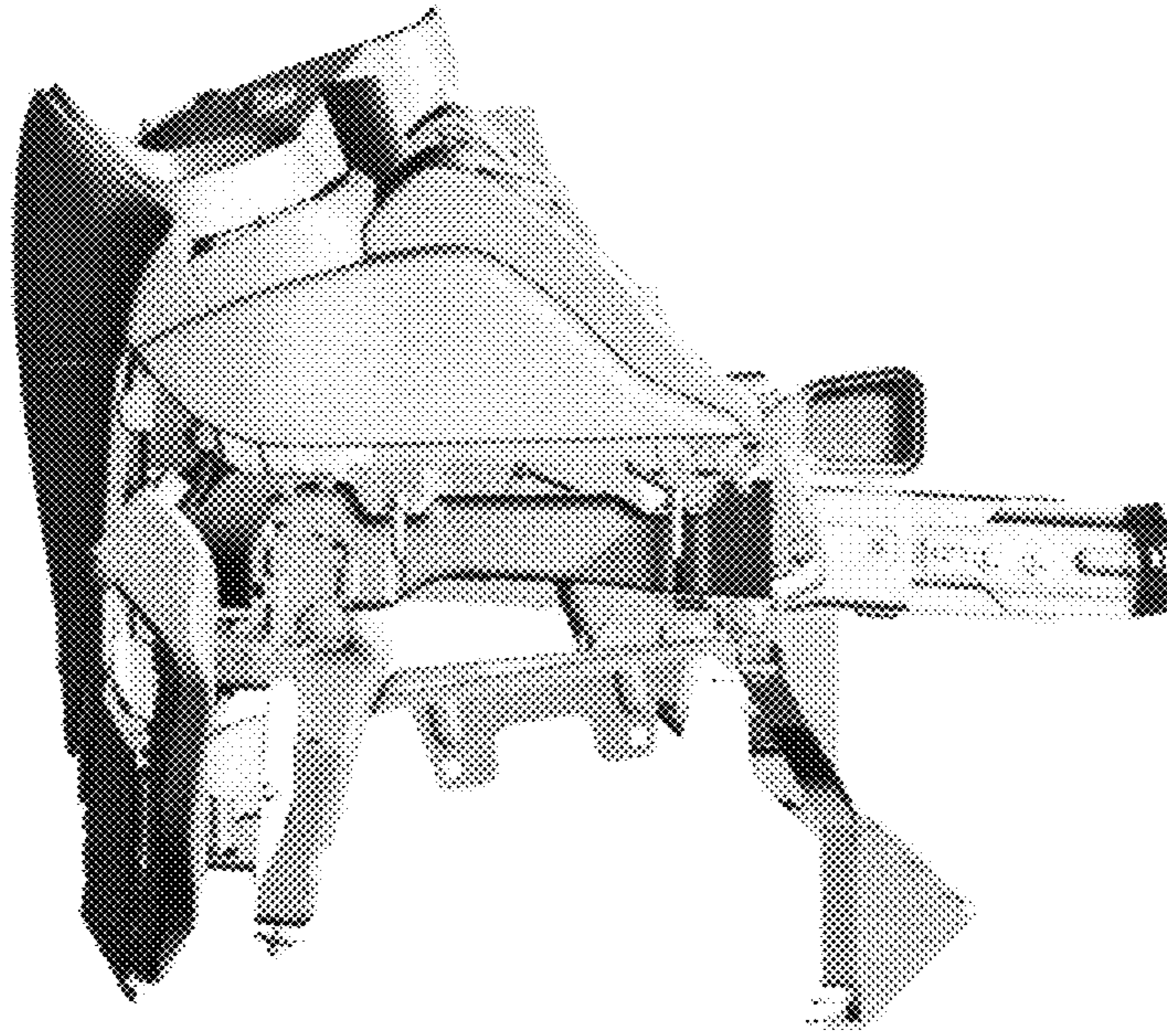


Figure 6

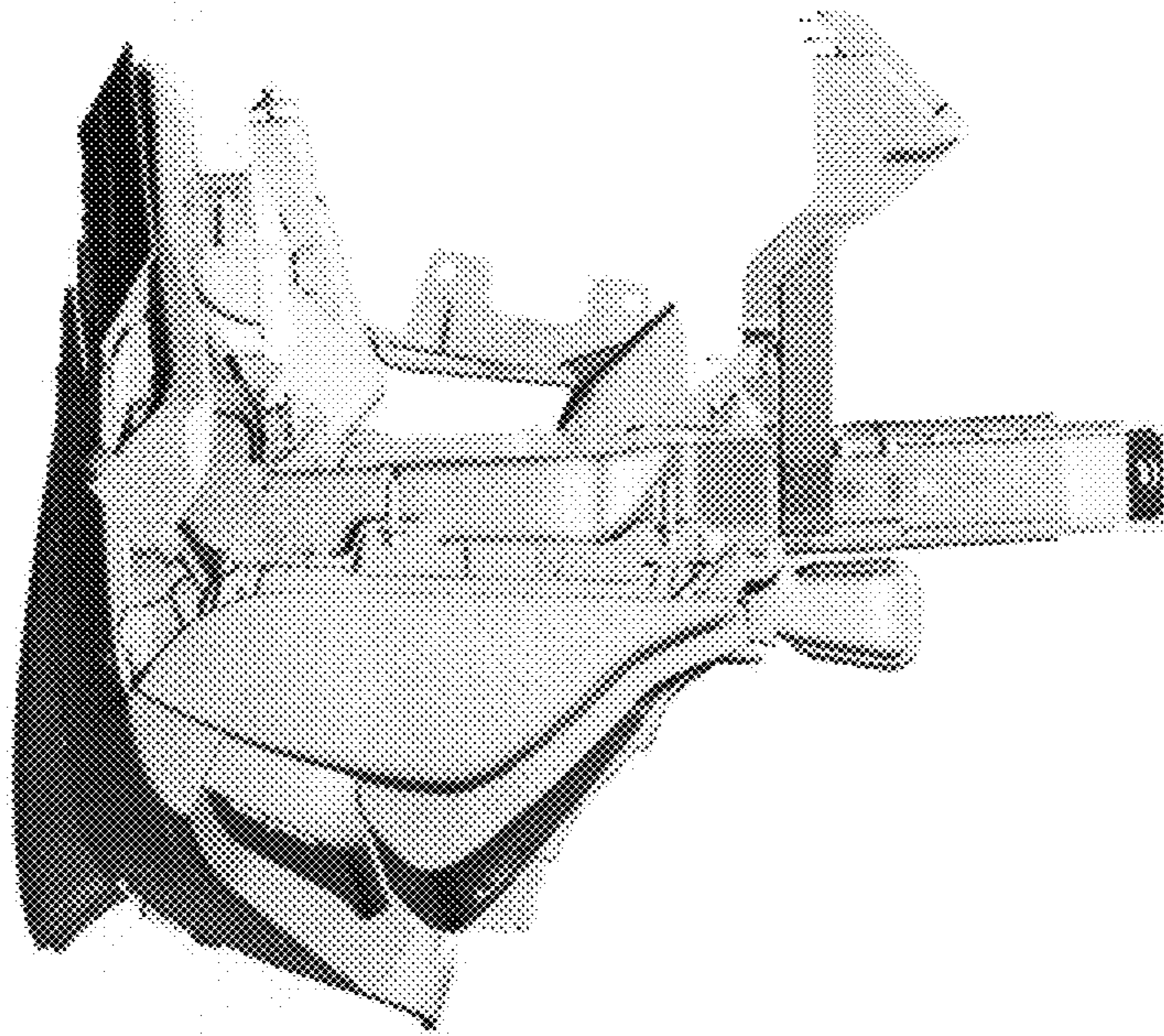


Figure 7

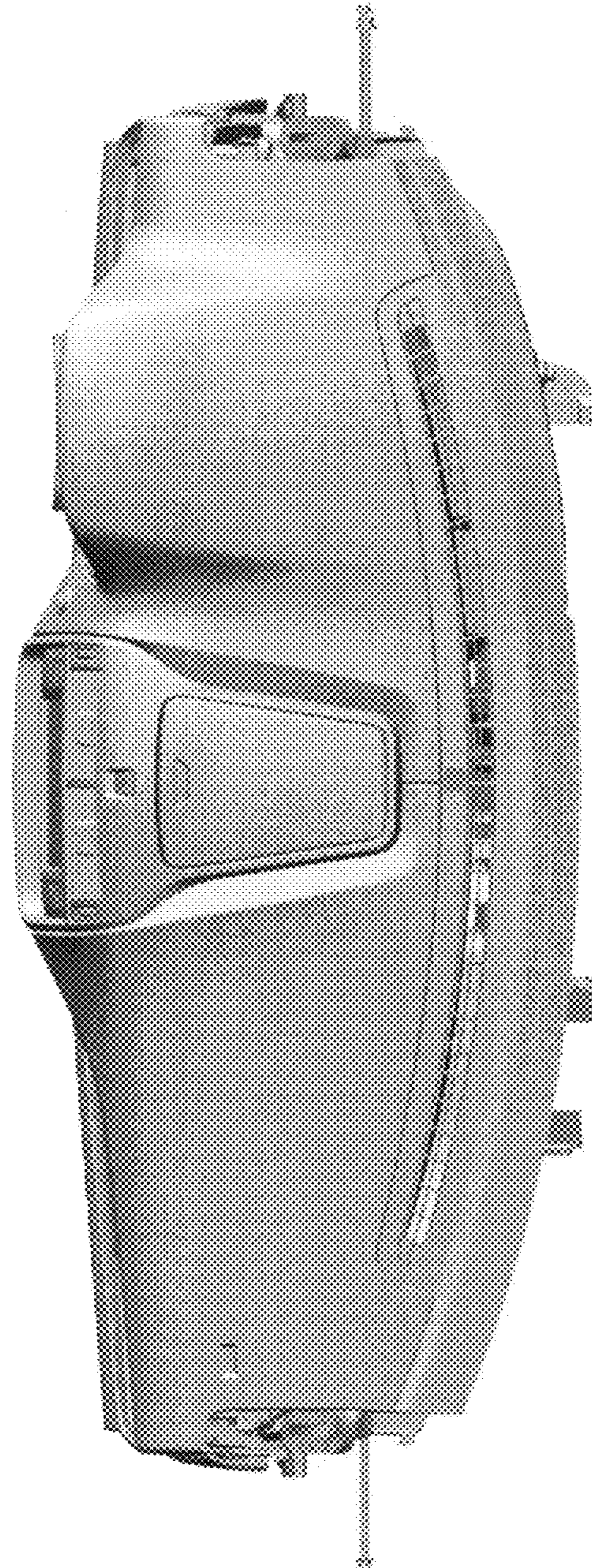


Figure 8

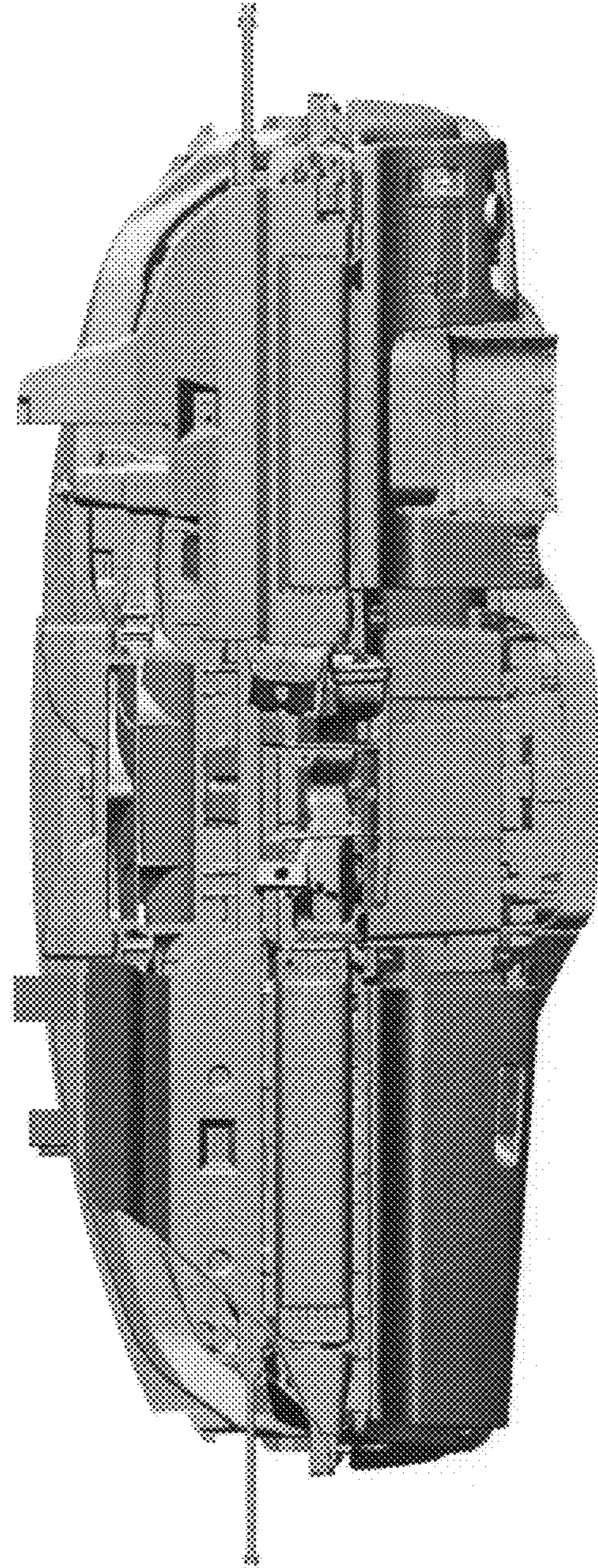


Figure 9