



US00D776027S

(12) **United States Design Patent** (10) **Patent No.:** **US D776,027 S**
Pennington (45) **Date of Patent:** **** Jan. 10, 2017**

(54) **WIND DEFLECTOR**
 (71) Applicant: **King Penn Industries, Inc.**, Dallas, TX (US)
 (72) Inventor: **Stephen Pennington**, Dallas, TX (US)
 (73) Assignee: **King Penn Industries, Inc.**, Dallas, TX (US)

(**) Term: **15 Years**

(21) Appl. No.: **29/534,819**

(22) Filed: **Jul. 31, 2015**

(51) **LOC (10) Cl.** **12-08**

(52) **U.S. Cl.**
USPC **D12/181**

(58) **Field of Classification Search**
 USPC D12/88, 181, 191, 196, 400, 190;
 296/180.1, 180.2, 180.3, 180.4, 180.5, 91;
 280/727, 770, 848; 180/903
 CPC B60R 13/02; B60R 13/04; B60J 7/223
 See application file for complete search history.

(56) **References Cited**

U.S. PATENT DOCUMENTS

D717,886 S * 11/2014 Mimplitch, III D21/550
 D729,136 S * 5/2015 Pennington D12/181
 9,096,112 B2 * 8/2015 Geissenhoener B60J 7/223
 9,102,219 B2 * 8/2015 Czechtizky B60J 7/22
 9,221,321 B2 * 12/2015 Pennington B60J 7/223
 9,221,322 B2 * 12/2015 Pennington B60Q 1/50

D754,042 S * 4/2016 Pennington D12/181
 D754,579 S * 4/2016 Battams D12/181
 D756,848 S * 5/2016 Toriyama D12/91
 9,352,791 B2 * 5/2016 Wolf B62D 35/007
 D763,149 S * 8/2016 Wheel D12/181
 D763,750 S * 8/2016 Wheel D12/181
 2012/0217767 A1 * 8/2012 Pennington B60J 7/223
 296/180.1
 2015/0028623 A1 * 1/2015 Geissenhoener B60J 7/223
 296/180.1
 2016/0144827 A1 * 5/2016 Ernst B60S 1/0408
 15/250.01

* cited by examiner

Primary Examiner — Rosemary K Tarcza

Assistant Examiner — Yolanda Robinson

(74) *Attorney, Agent, or Firm* — Winstead PC

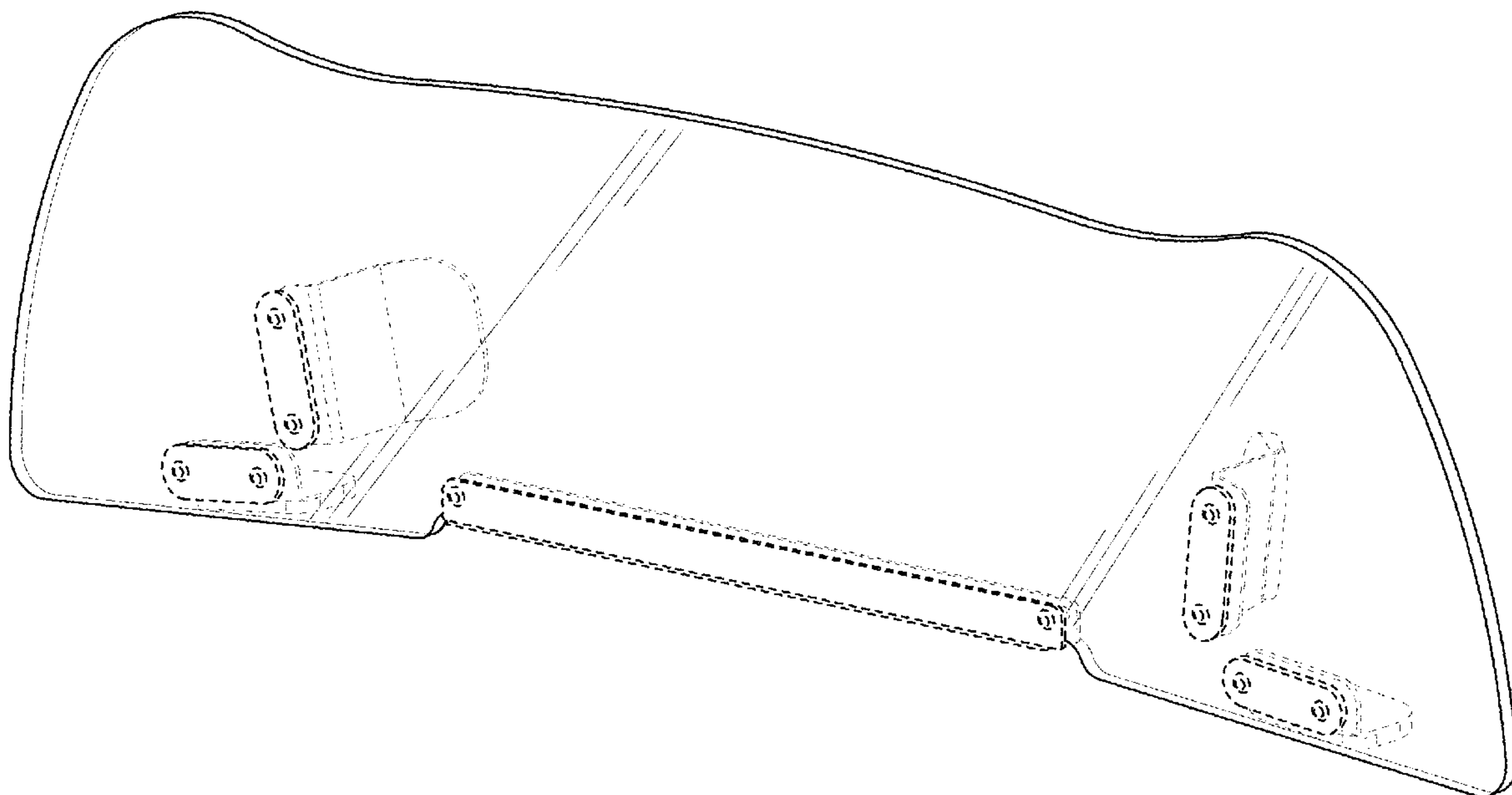
(57) **CLAIM**

The ornamental design for a wind deflector, as shown and described.

DESCRIPTION

FIG. 1 is a perspective view of a wind deflector in accordance with the design;
 FIG. 2 is a front view thereof;
 FIG. 3 is a back view thereof;
 FIG. 4 is a left side view thereof;
 FIG. 5 is a right side view thereof;
 FIG. 6 is a top plan view thereof; and,
 FIG. 7 is a bottom plan view thereof.
 The broken lines present in the drawings are for illustrative purposes only and form no part of the claimed design.

1 Claim, 5 Drawing Sheets



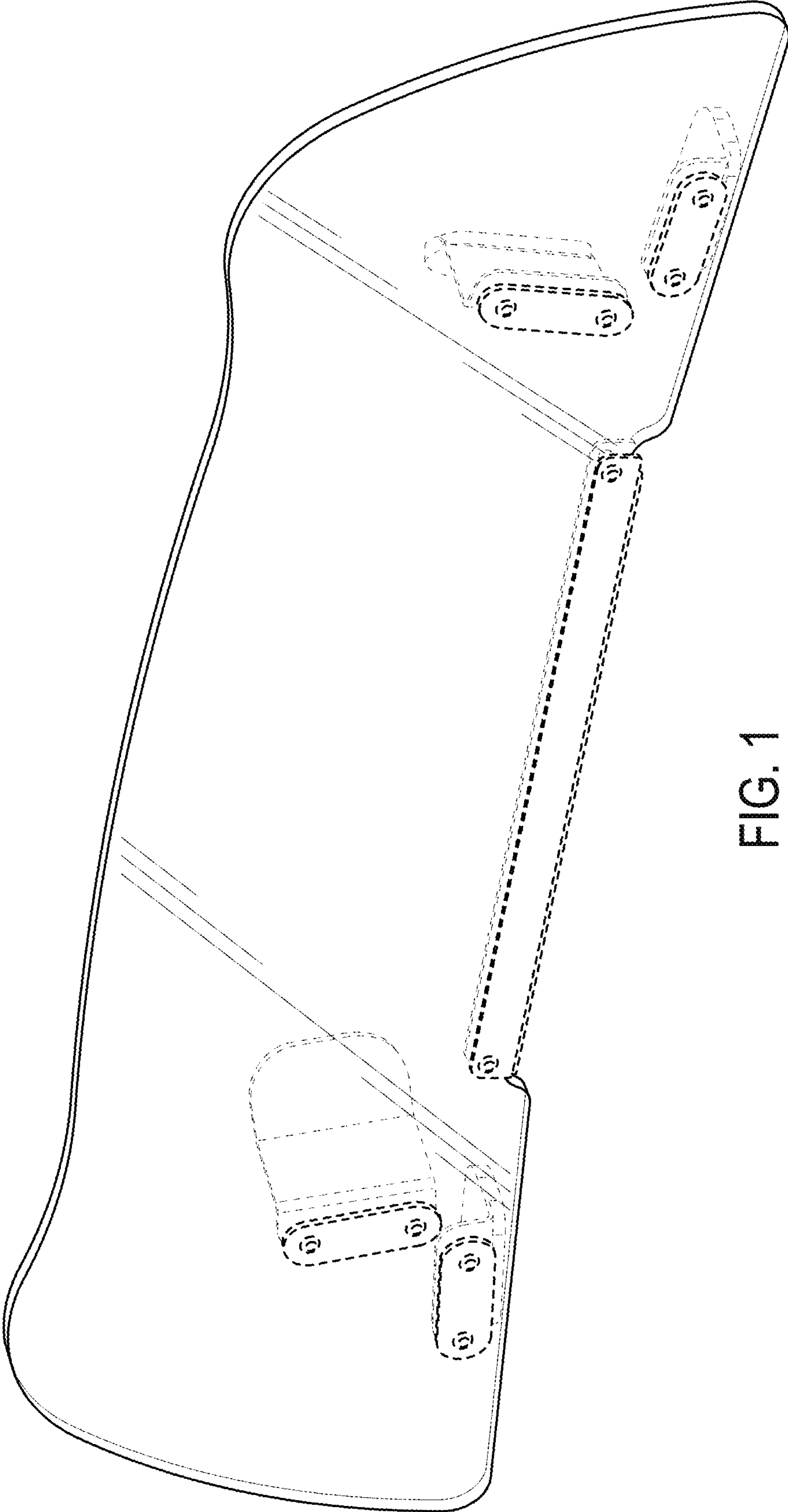


FIG. 1

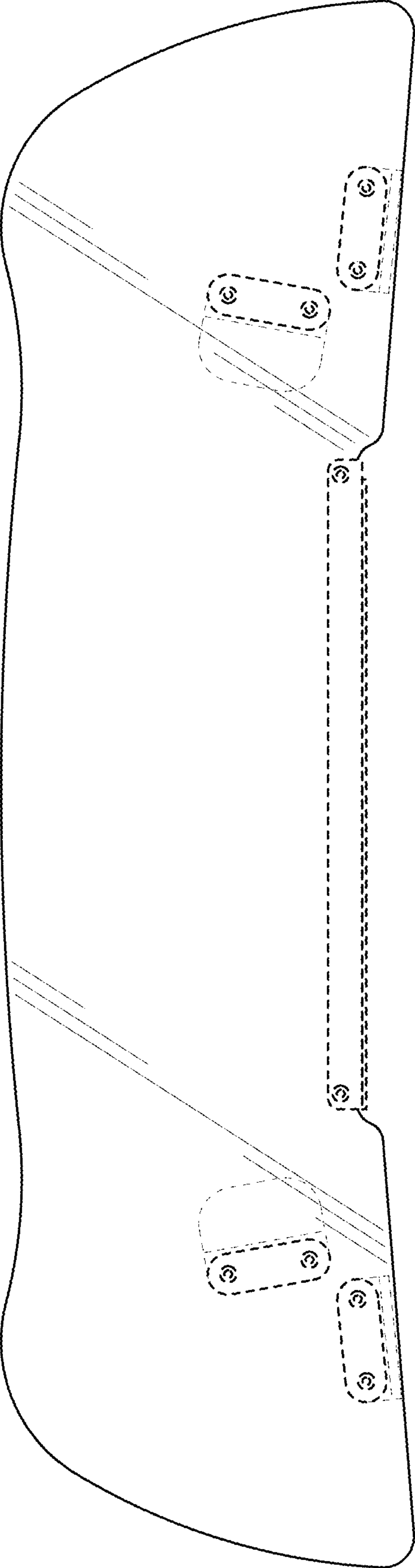


FIG. 2

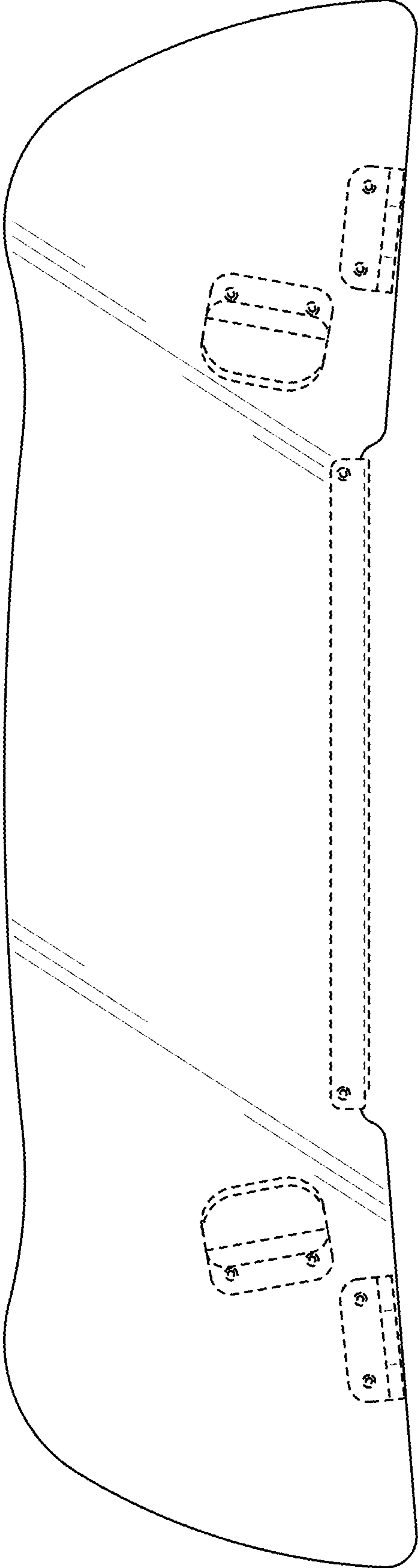


FIG. 3

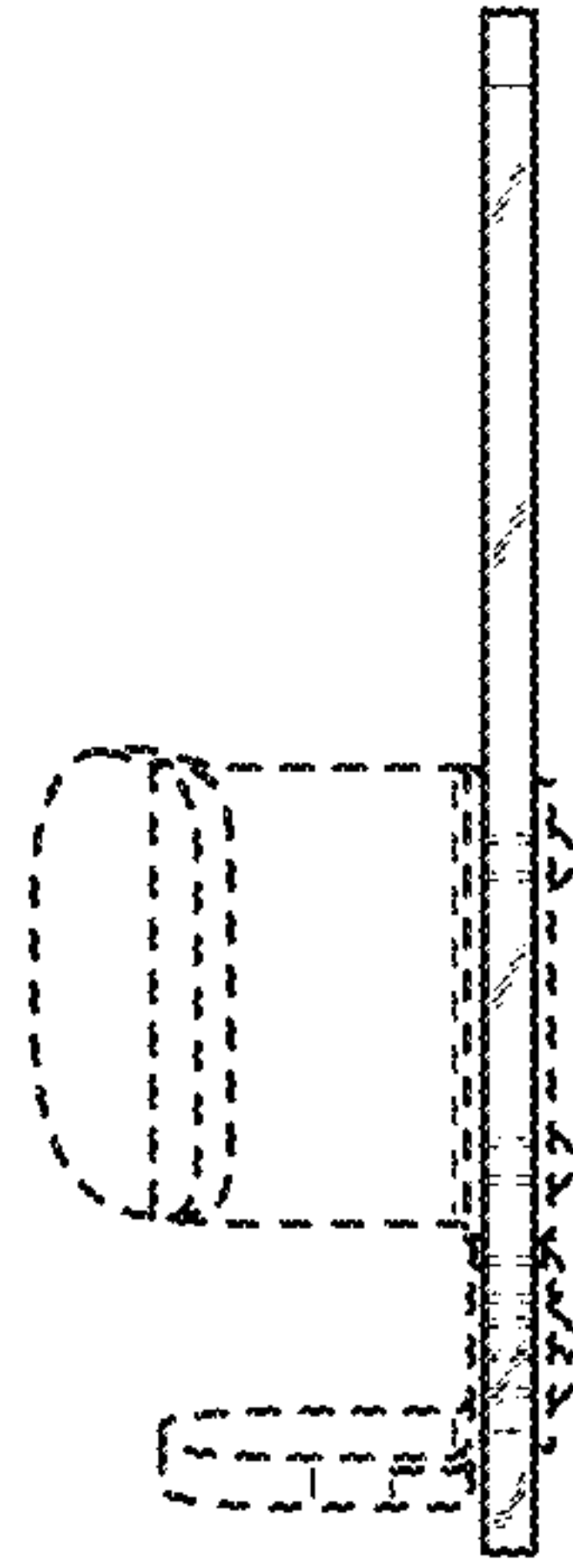


FIG. 4

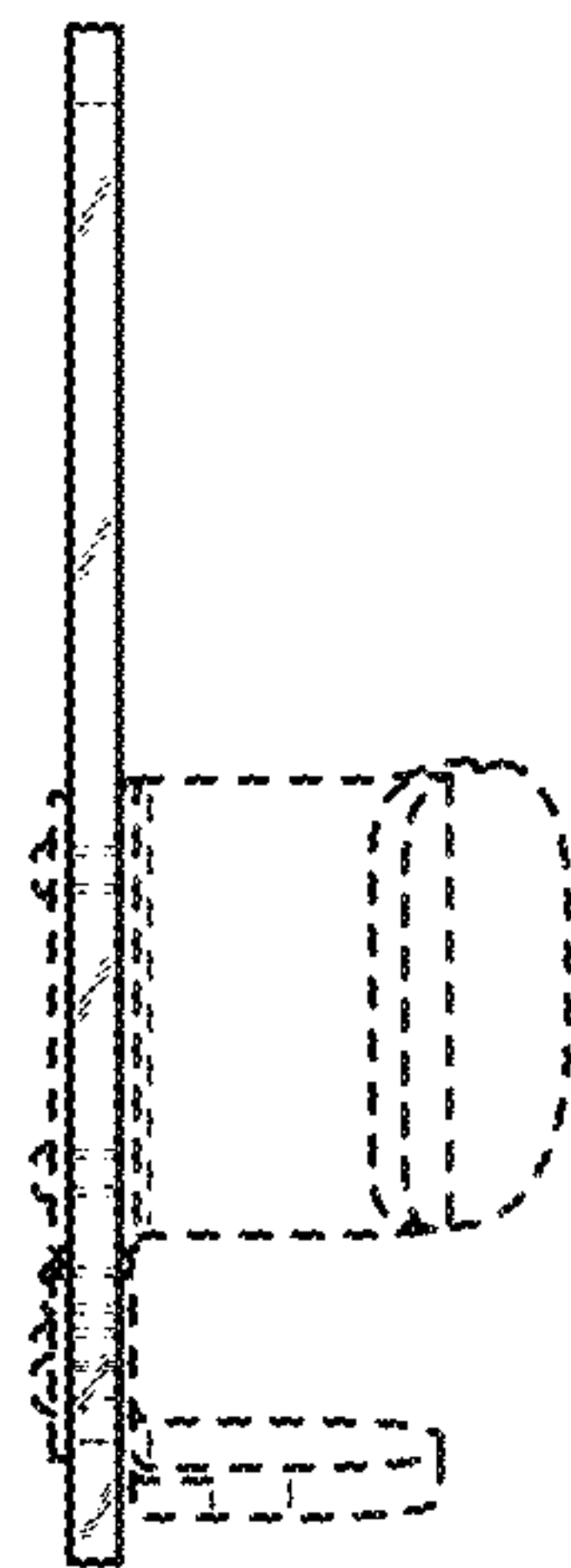


FIG. 5

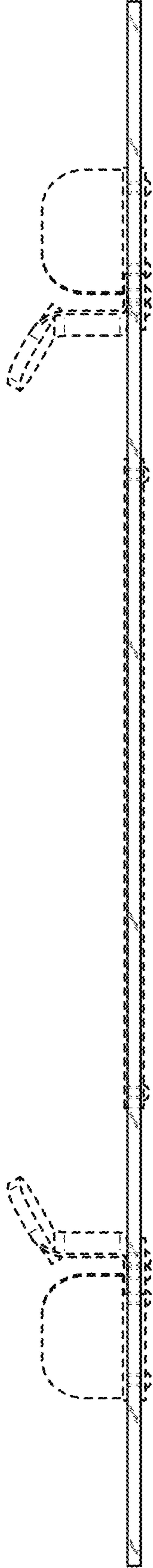


FIG. 6

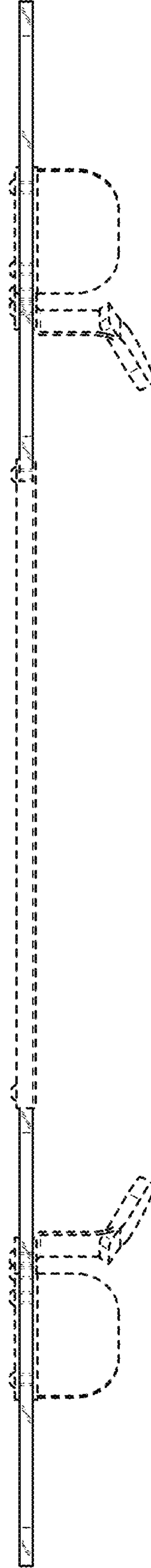


FIG. 7